



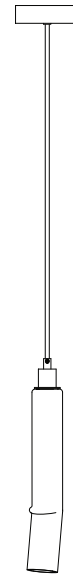
FOLD PENDANT

Installation Instructions

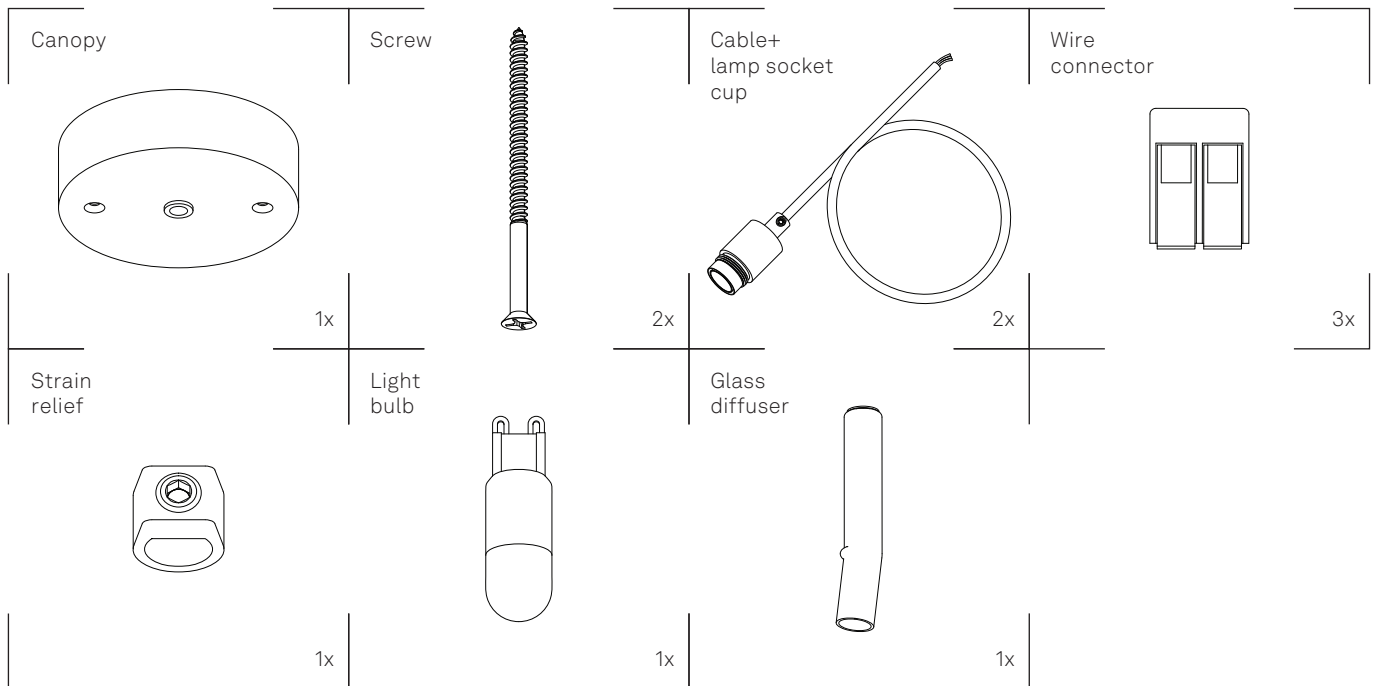
Congratulations on your purchase of a SkLO Fold Pendant. This product must be installed in accordance with the applicable codes by a person familiar with the construction and operation of the product and the hazards involved, preferably a licensed electrician. Use a maximum 7W bulb.

When unpacking individual items and parts of the light fixture, make sure to lay them out on a protective surface that will neither mar the delicate metal finishes nor scratch the glass. Gloves (nitrile) are provided and must be worn during installation to avoid fingerprints on the finish of the exposed metal parts.

Your SkLO fixture will arrive with the hand blown glass elements packed separately from the light fixture itself.



CONTENTS:





1. Determine the desired length of the cord and trim it, making sure to leave enough additional length to make the wiring connections within the canopy. When trimming the fabric-wrapped electrical cords make sure to use electrical tape or other means to secure the fabric at the location of the cut, and then at the cut end to avoid splaying, fraying, or slack in the fabric (Figure 1a).

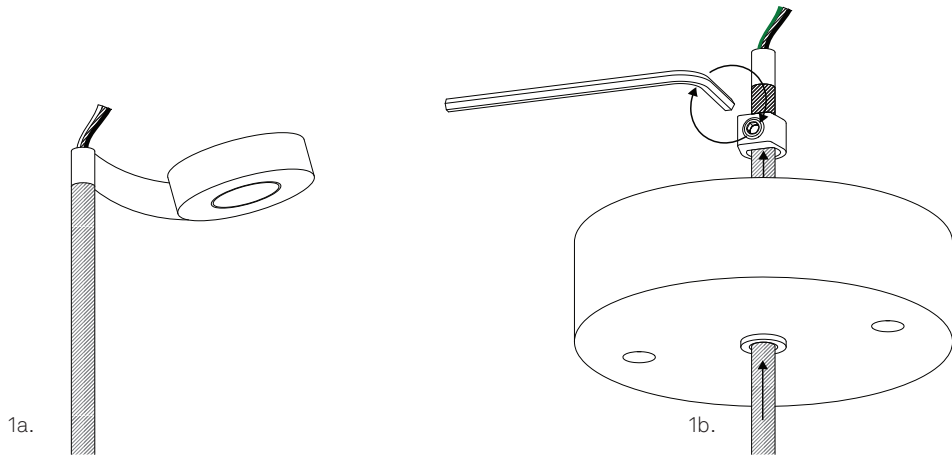
Pass the fabric-wrapped electrical cord through the hole in the canopy. Slide the plastic strain relief over the end of the cord and fix the length of the cord by tightening the set screw – do not overtighten or damage the electrical cord and insulation (Figure 1b).

2. Carefully supporting the fixture, connect the exposed leads of the fixture to the leads from the predetermined place on the ceiling according to the wiring diagram using the wire and wire connectors provided. Attach the ground (TE) + ground (TE) from light fixture, phase 1 (L1) + phase 1 (L1) from light fixture, neutral (N) + neutral (N) from light fixture (Figure 2).

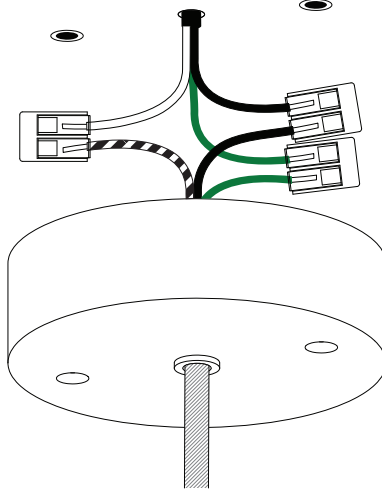
3. The canopy installs directly to the ceiling. Anchors or other accessories appropriate for both the provided fasteners and the ceiling material/structure and weight of the fixture may be required (not provided). Align the canopy and carefully supported fixture all the way flush to the ceiling taking care that no electrical cables or connections are exposed where the canopy meets the ceiling. Fasten the canopy to the ceiling by screwing the two provided screws through the countersunk holes provided in the canopy (Figure 3). Take great care when installing screws so that tools do not slip and scratch the canopy finish, or damage the exposed screw head slots.
4. Install the supplied LED light bulb (7W Max) into the socket. This fixture uses G9 sockets and light bulbs. The G9 is a bi-pin socket. Light bulbs are to be inserted and removed by pushing the bulb straight into the socket, and by pulling it straight out. The bulb, when inserted, should have a tight fit. Do not force the bulb. If there is resistance, check to make sure nothing inside the socket is bent or obstructing the bulb. Always turn off the power to the fixture when changing the bulb(s). Unwrap the glass diffuser. Carefully thread a glass diffuser onto the socket (Figure 4). Thread on the glass diffuser just until it is visually tight – do not overtighten.



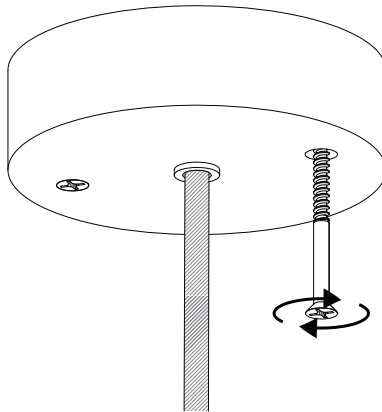
1.



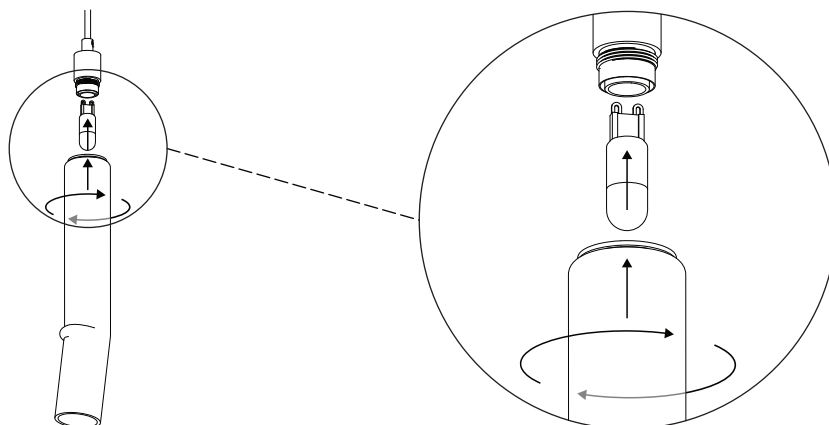
2.

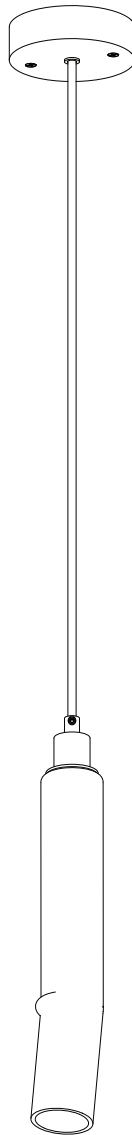


3.



4.





SkLO

sklo.com

SkLO US 115 WEST NORTH STREET HEALDSBURG CALIFORNIA 95448 USA +1.707.385.2101 us@sklo.com
SkLO EU VÁŽNÍ 488 500 03 HRADEC KRÁLOVÉ CZECH REPUBLIC +420.495.542.071 eu@sklo.com