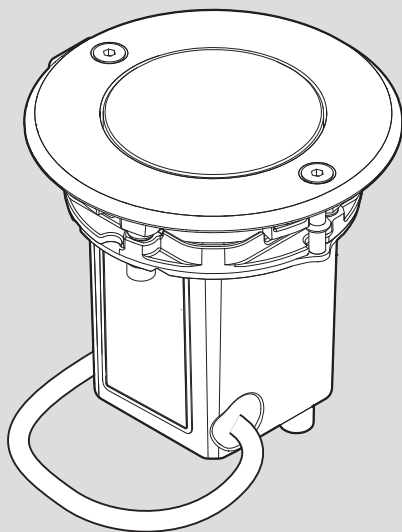
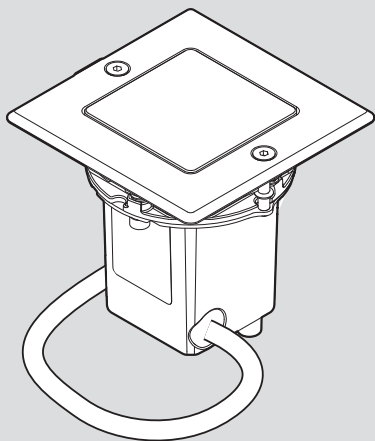


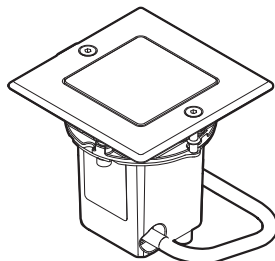
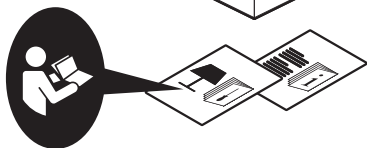
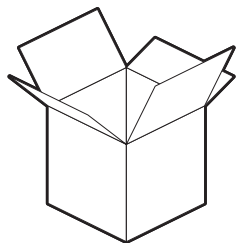
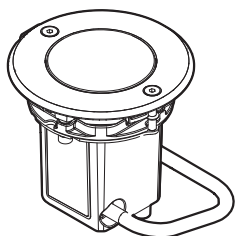
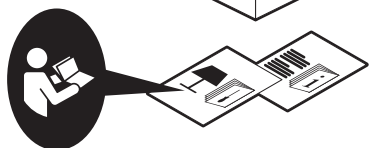
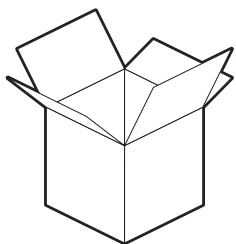
# Artemide®

## Ego 55 / 90 Walk-over Drive-over UL

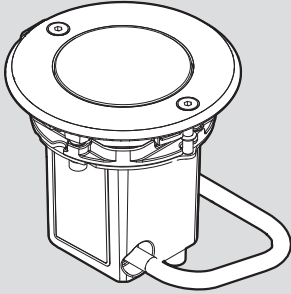




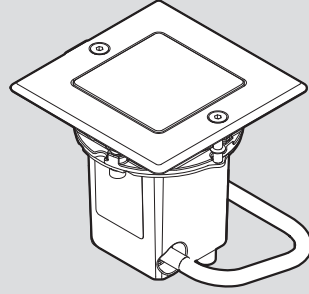
i



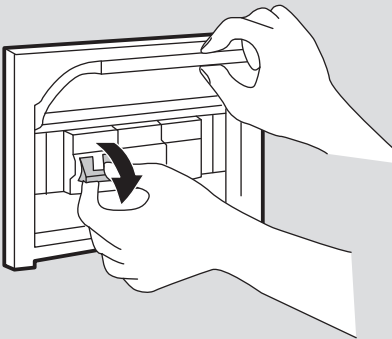
i



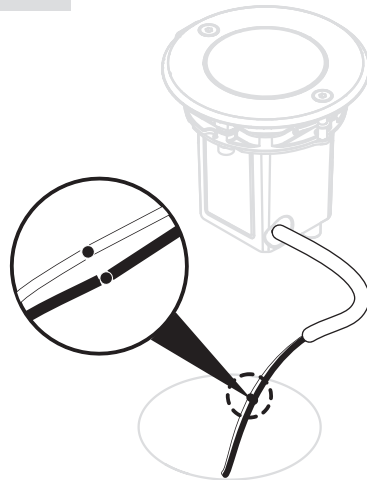
Ø 55 mm  
Ø 90 mm





55 x 55 mm  
90 x 90 mm



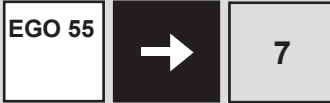
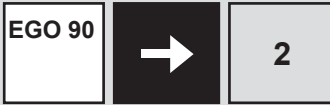
1



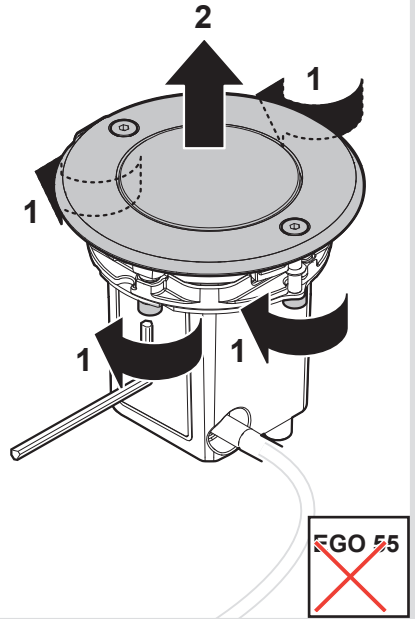
Ensure water-proof connection  
Assurer une connexion étanche à l'eau  
Asegurar la conexión a prueba de agua

white/blanc/blanco  +  
black/noir/negro  -

**i**



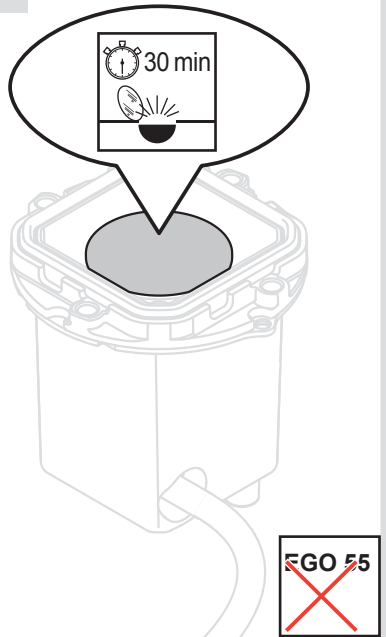
**2**

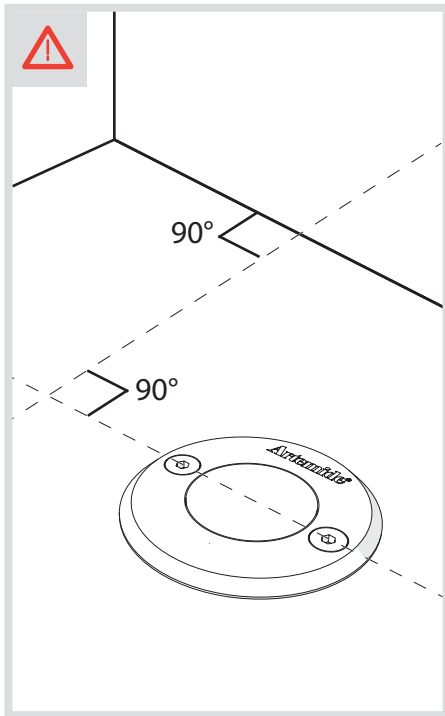
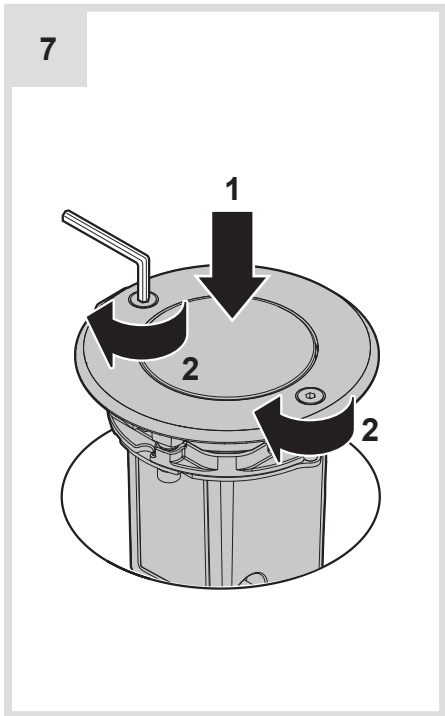
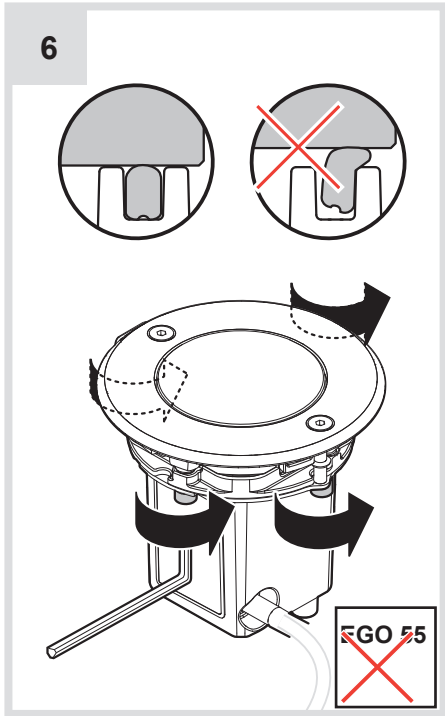
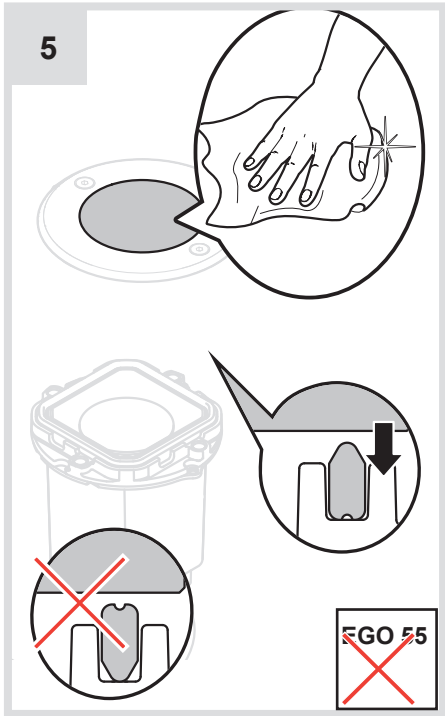


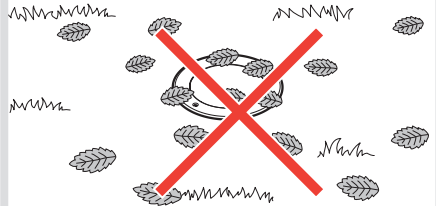
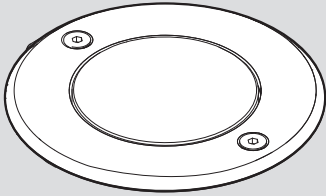
**3**



**4**



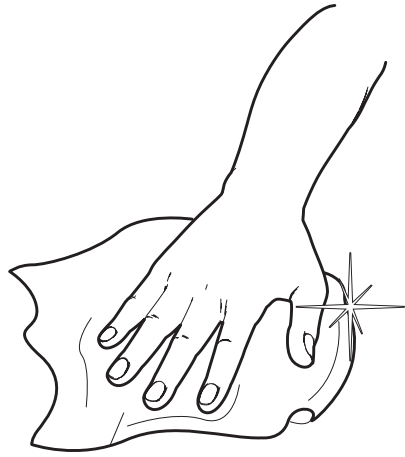




i



1



# Artemide®



## **Artemide**

via Bergamo, 18  
20010 Pregnana M.se (MI)  
ITALIA

tel. +39 02 935 181  
fax +39 02 935 90 254  
fax +39 02 935 90 496

[www.artemide.com](http://www.artemide.com)

VAT IT00846890150

## **Artemide Inc.**

1980 New Highway  
Farmingdale NY 11735

Tel. 631 694 9292  
Toll Free 1-877-Art-9111  
Fax 631 694 9275

[www.artemide.us](http://www.artemide.us)

## **Artemide Ltée/Ltd.**

11105 rue Renaude Lapointe  
Montréal, Québec H1J 2T4

Tel. 514 323 6537  
Toll Free 888 777 2783  
Fax 514 323 8864

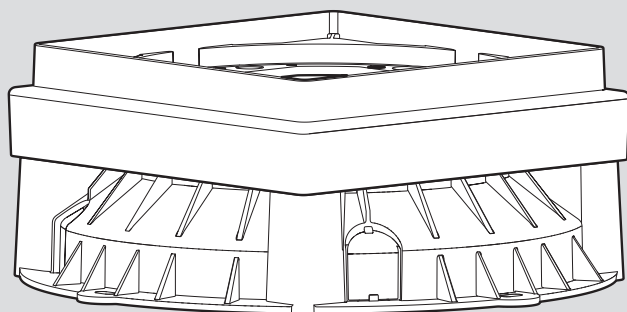
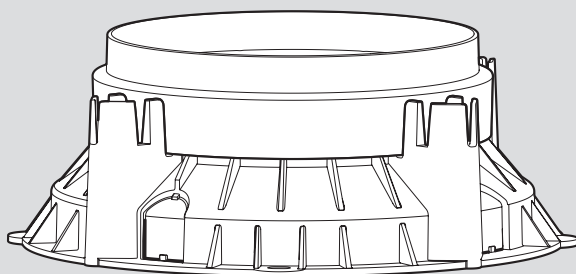
[www.artemide.ca](http://www.artemide.ca)

cod. Y513000343A



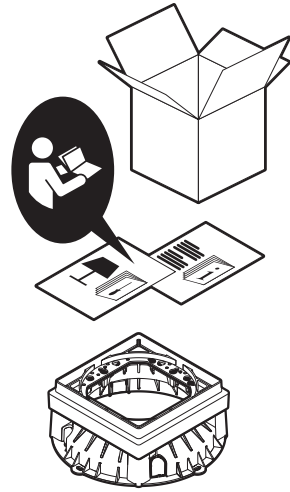
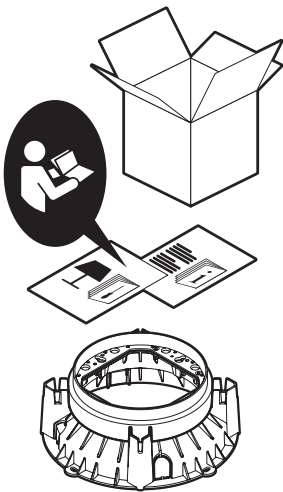
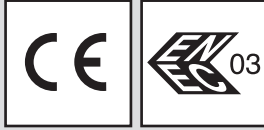
# Artemide®

## Naiade/Orcamo/Megara



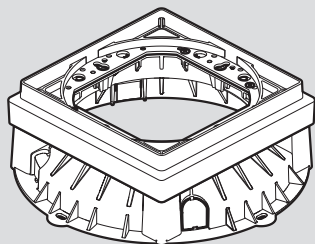


i



i

## Naiade/Megara

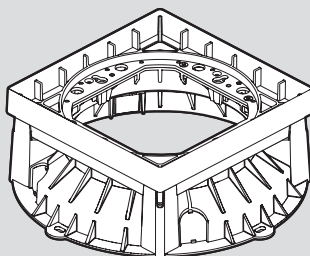


150 x 150 mm

220 x 220 mm

320 x 320 mm

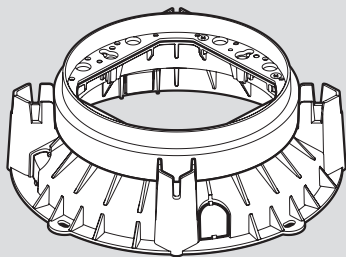
## Orcamo



150 x 150 mm

220 x 220 mm

320 x 320 mm



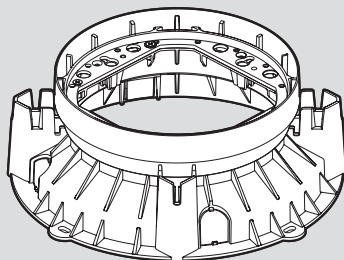
Ø 55 mm

Ø 90 mm

Ø 150 mm

Ø 220 mm

Ø 320 mm



-

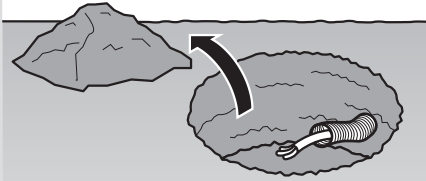
-

Ø 150 mm

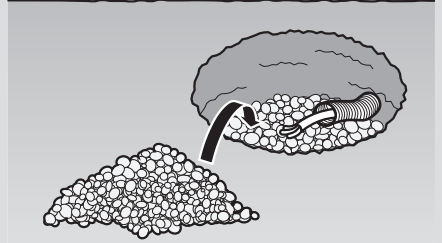
Ø 220 mm

Ø 320 mm

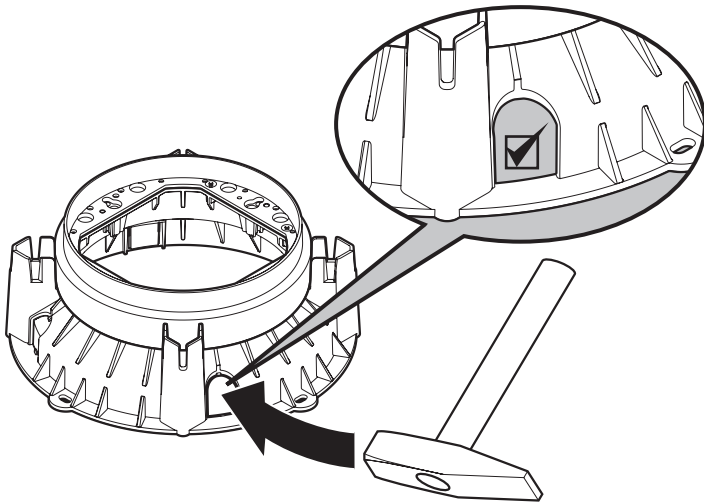
1



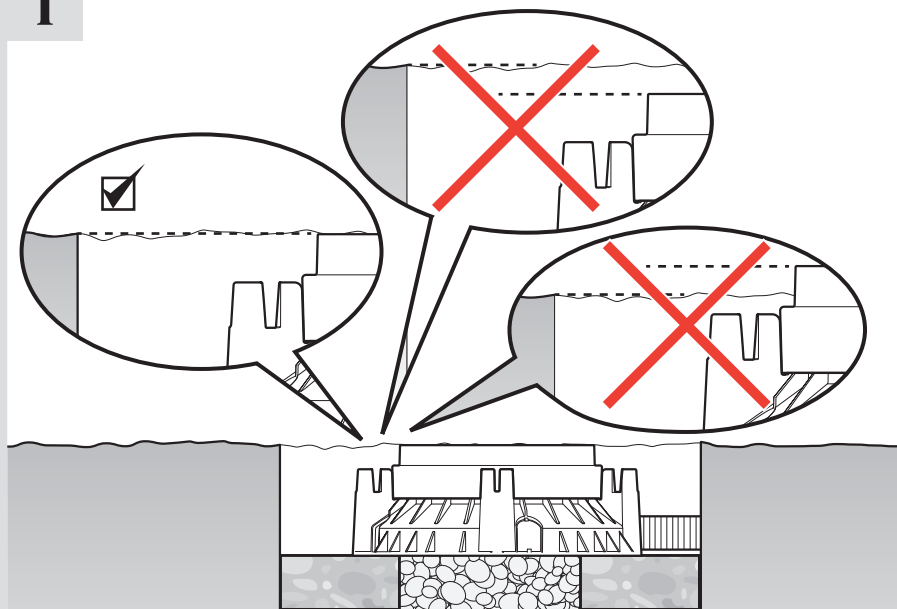
2



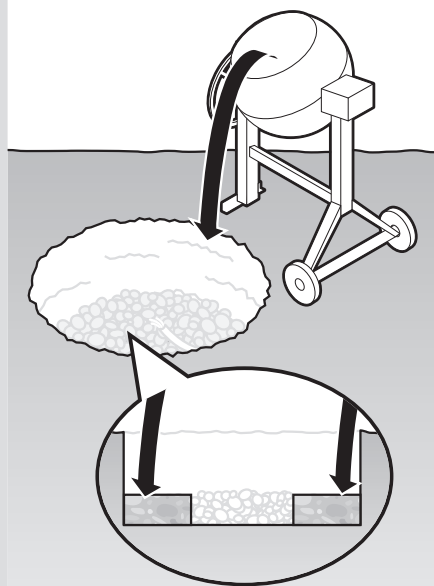
3



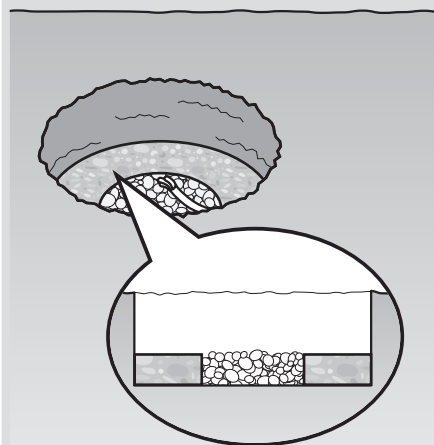
i



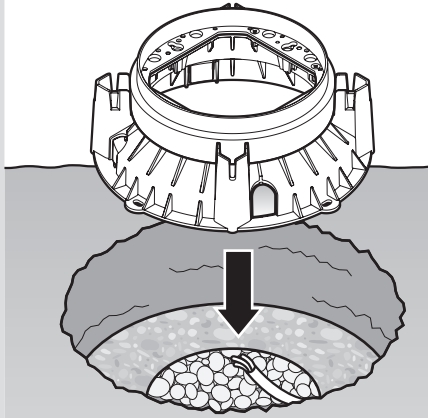
4



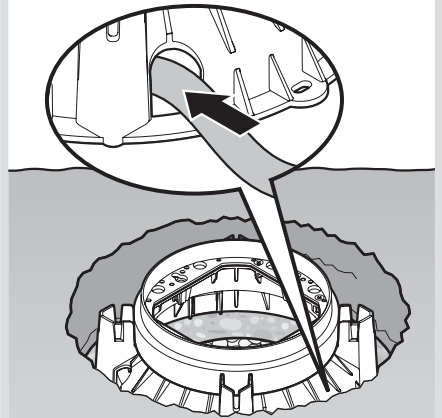
✓



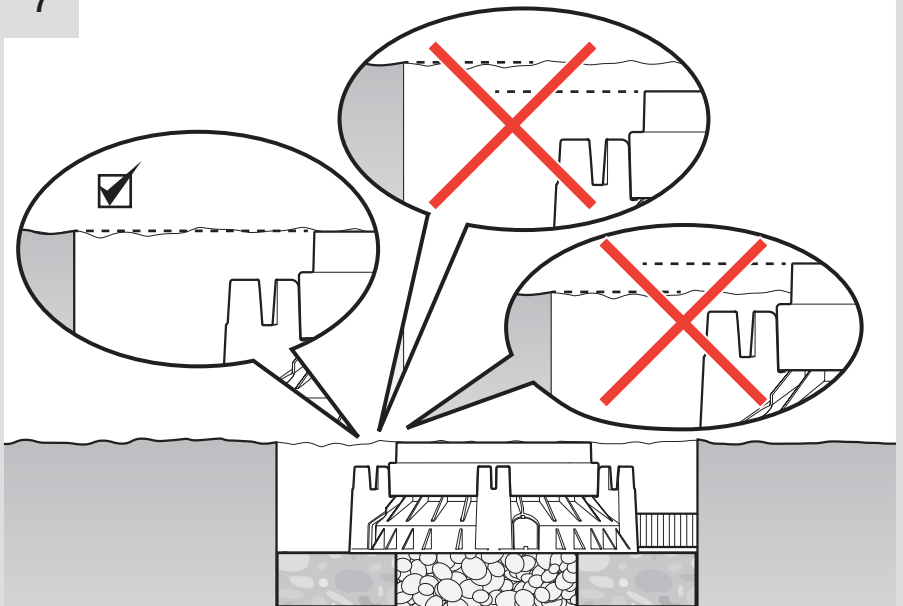
5



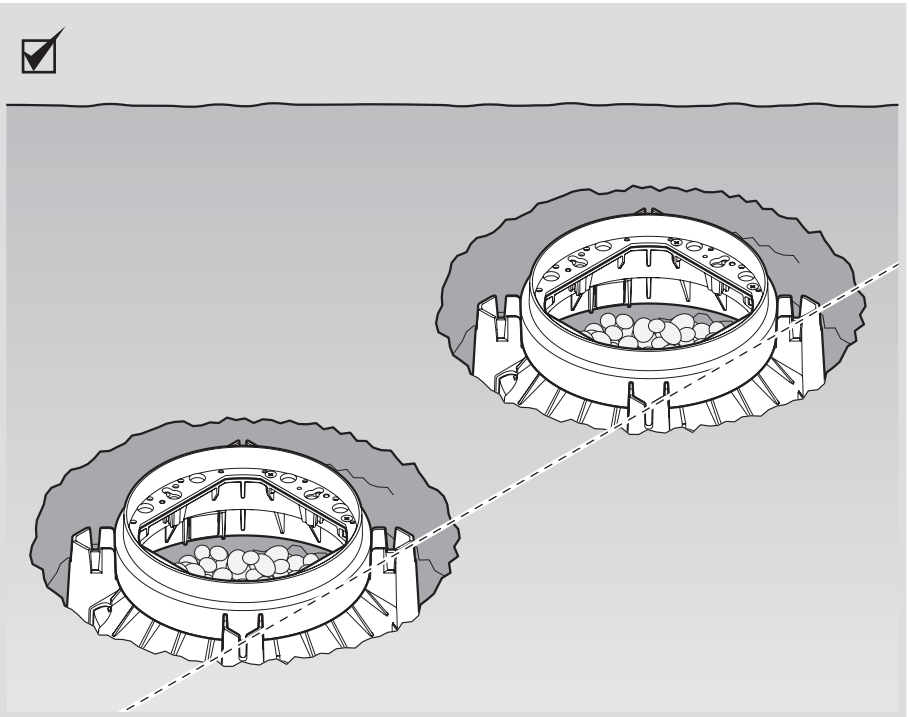
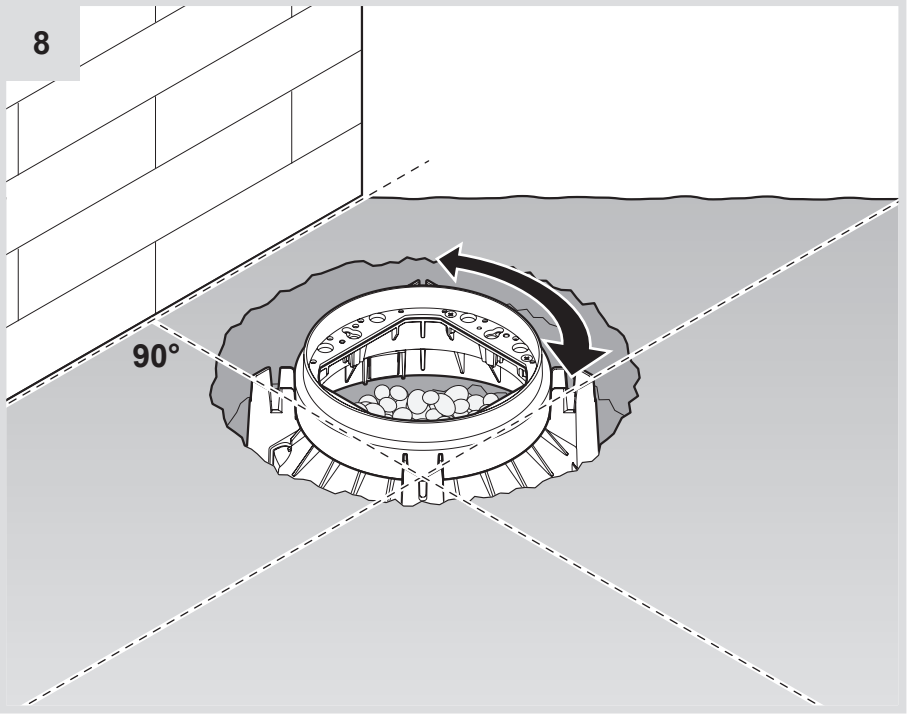
6



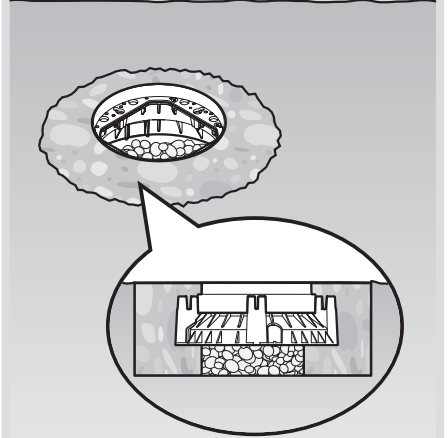
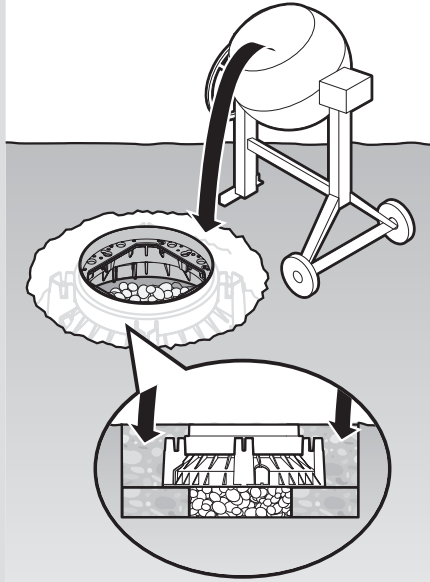
7



8

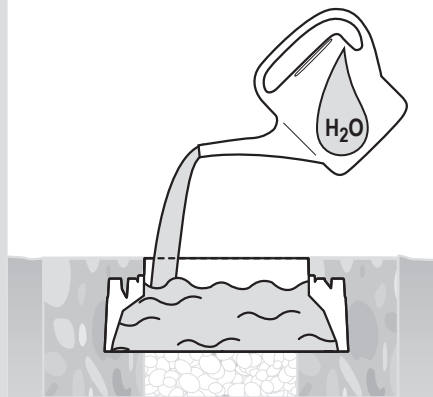


9

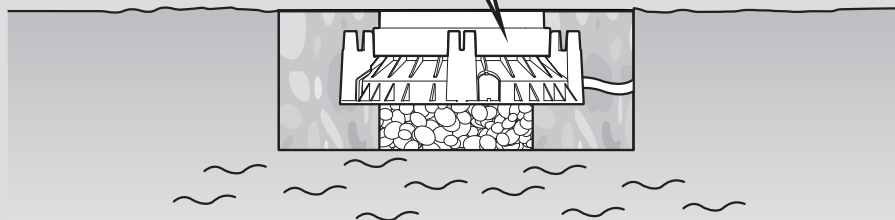
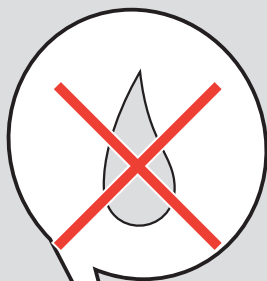
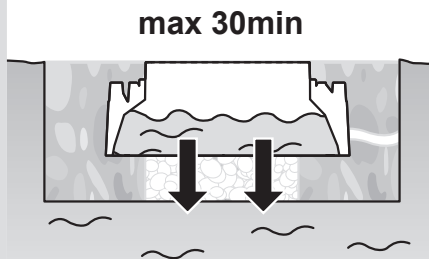




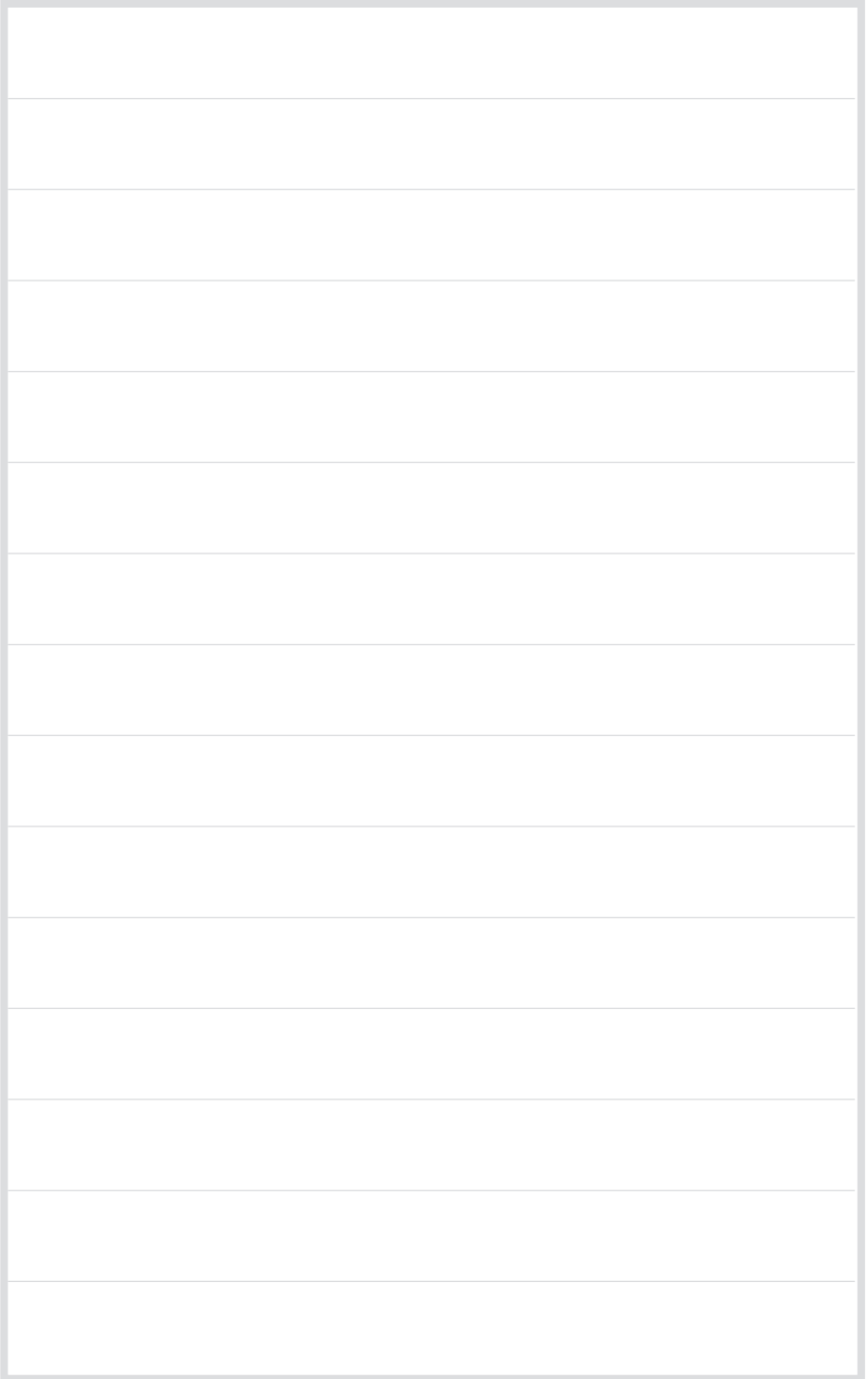
10



11



A blank sheet of white paper with a gray border. The page contains 18 horizontal ruling lines, creating 19 equal-sized rectangular rows. The lines are evenly spaced and extend across the width of the page. There is no text or other content on the page.



# Artemide®



## **Artemide**

via Bergamo, 18  
20010 Pregnana M.se (MI)  
ITALIA

tel. +39 02 935 181  
fax +39 02 935 90 254  
fax +39 02 935 90 496

[www.artemide.com](http://www.artemide.com)

VAT IT00846890150

## **Artemide Inc.**

1980 New Highway  
Farmingdale NY 11735

Tel. 631 694 9292  
Toll Free 1-877-Art-9111  
Fax 631 694 9275

[www.artemide.us](http://www.artemide.us)

## **Artemide Ltée/Ltd.**

11105 rue Renaude Lapointe  
Montréal, Québec H1J 2T4

Tel. 514 323 6537  
Toll Free 888 777 2783  
Fax 514 323 8864

[www.artemide.ca](http://www.artemide.ca)

cod. Y513000034D