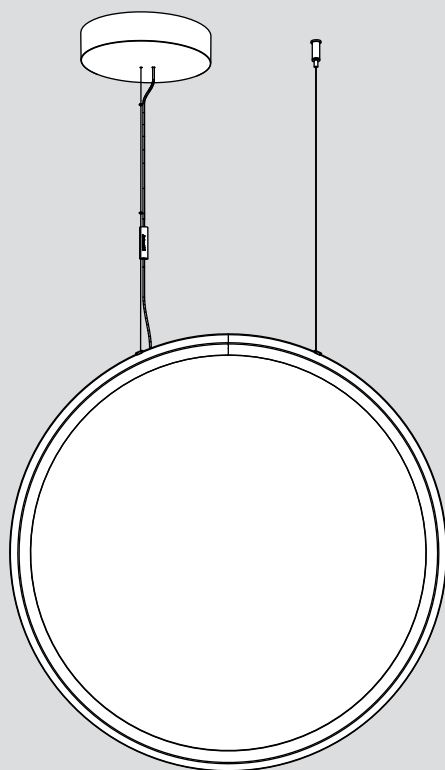


Artemide®

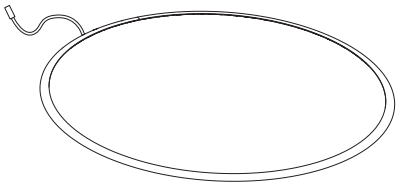
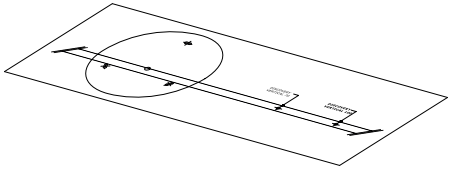
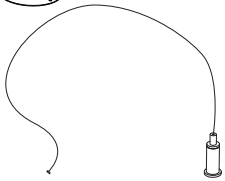
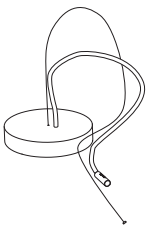
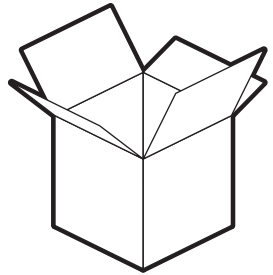
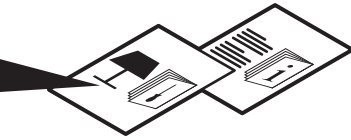
Discovery Vertical 70

design
E. Gismondi

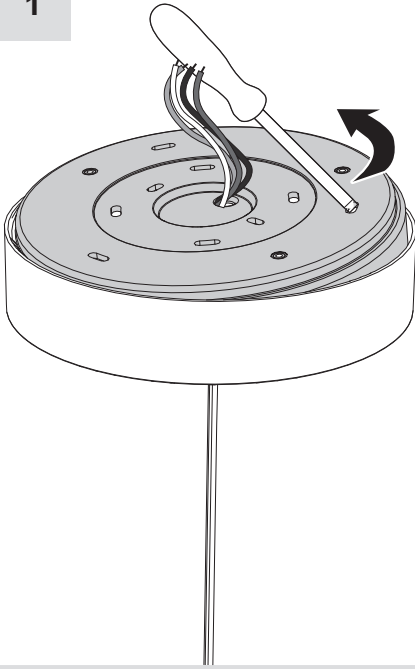




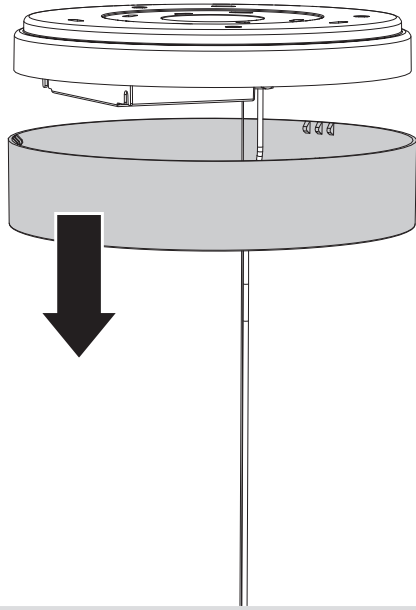
i



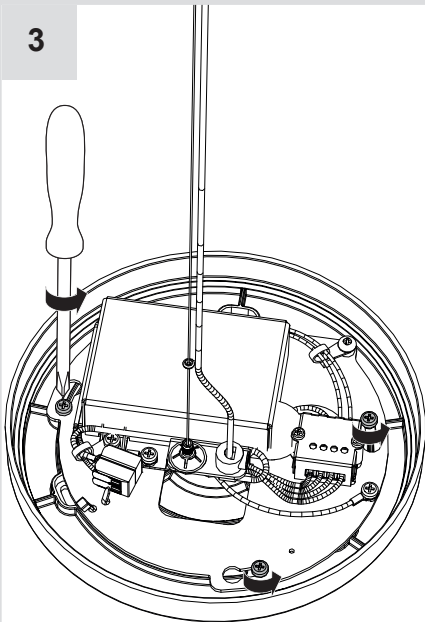
1



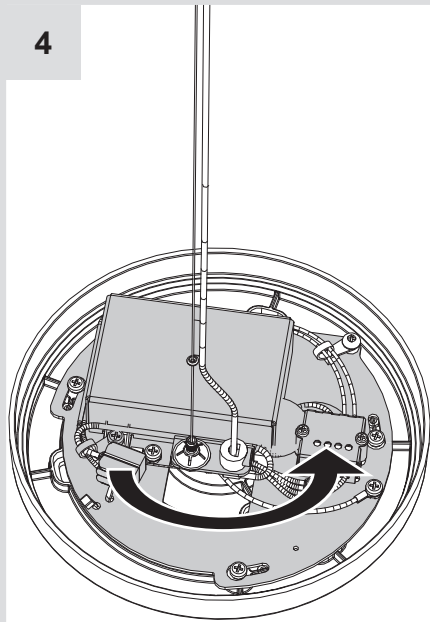
2



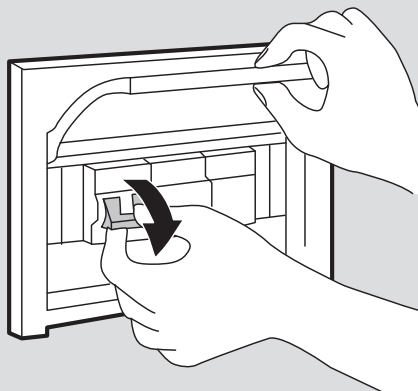
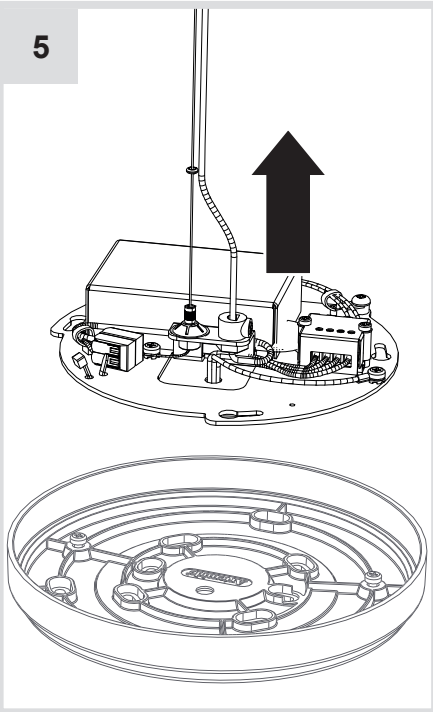
3



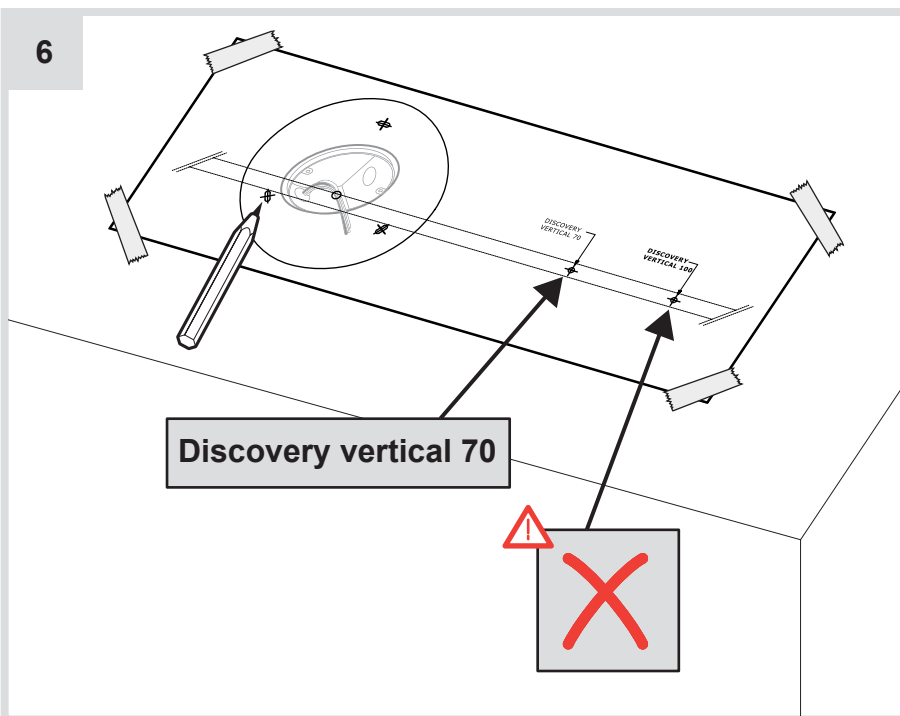
4



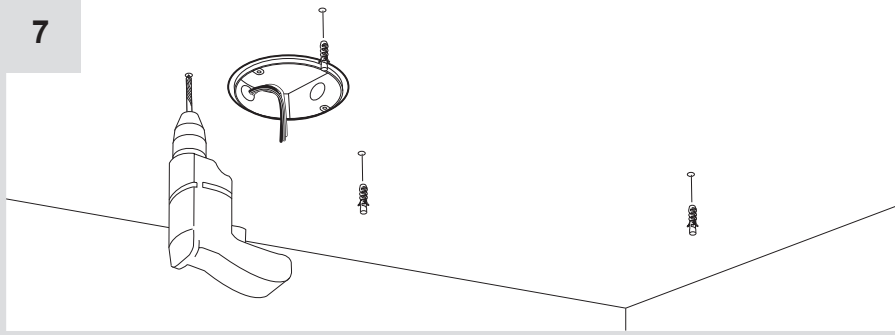
5



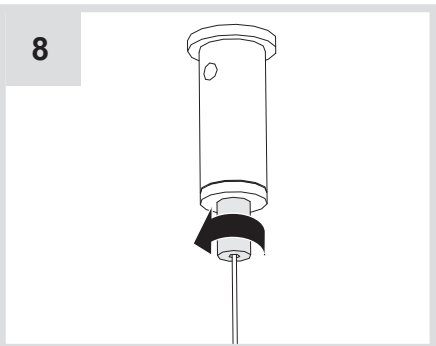
6



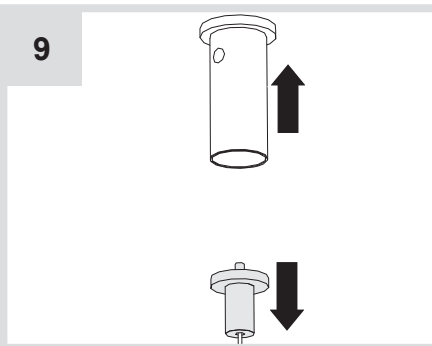
7



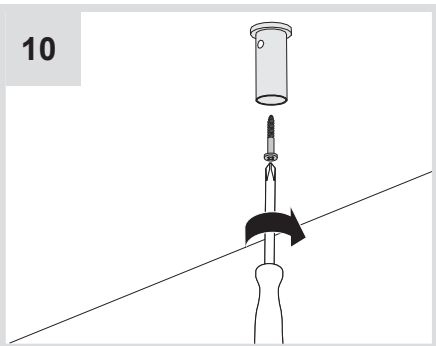
8



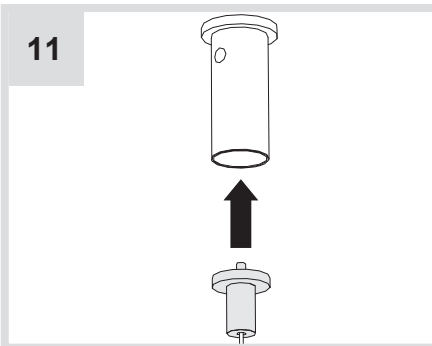
9



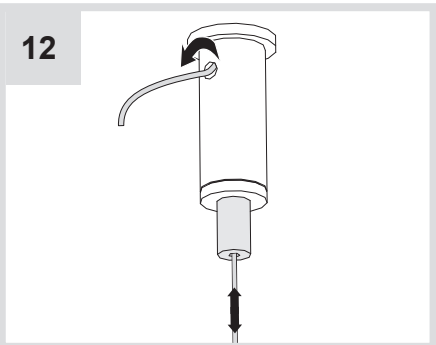
10



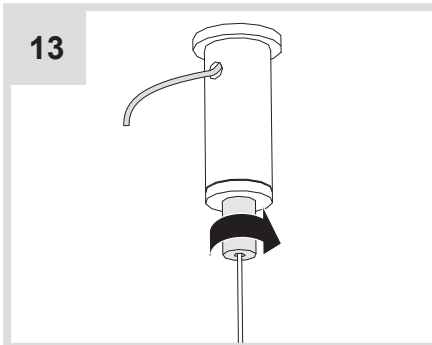
11



12



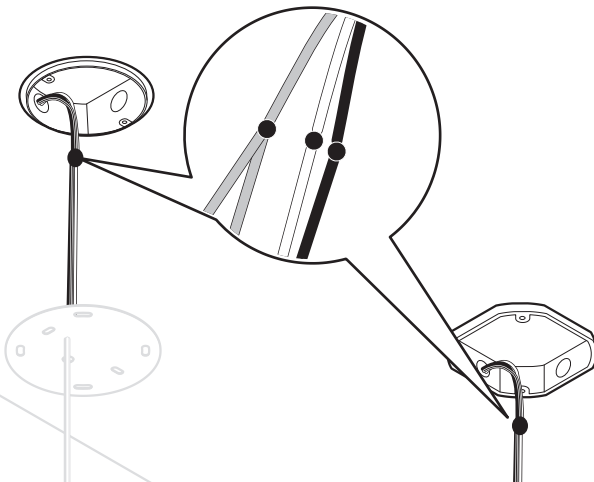
13



14a



120-277 V



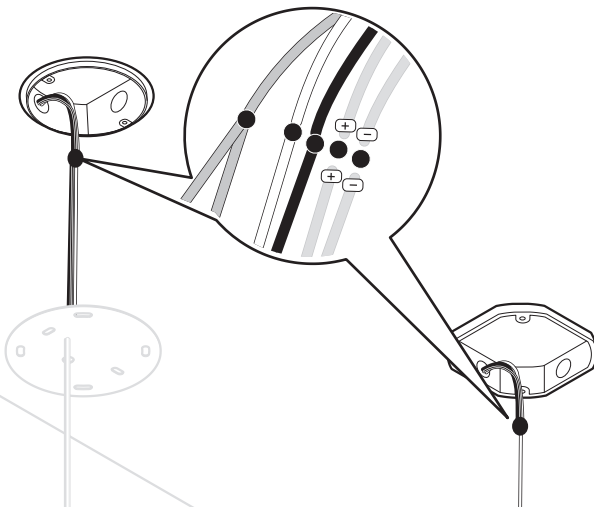
white/blanc/blanco		white/blanc/blanco
green/vert/verde		green/vert/verde
black/noir/negro		black/noir/negro

14b



120-277 V

1-10 V dimming control
Dimmable 1-10 V
Regulable mediante control 1-10 V



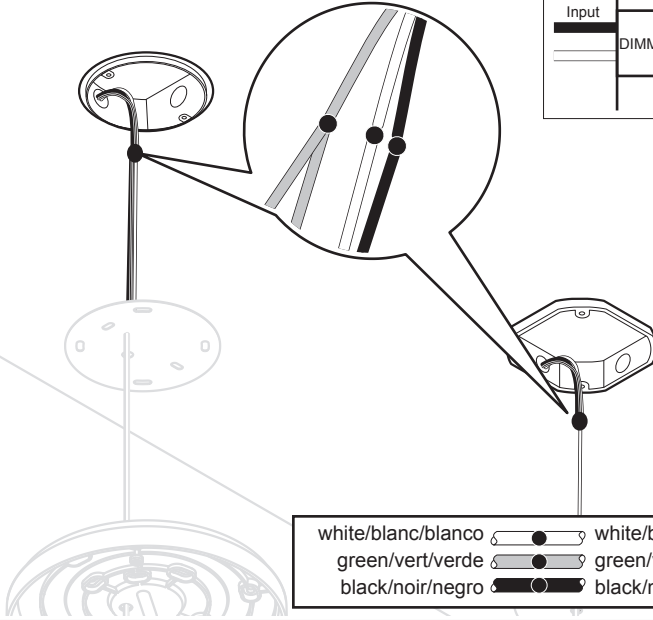
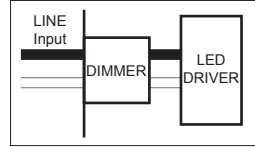
white/blanc/blanco		white/blanc/blanco
green/vert/verde		green/vert/verde
black/noir/negro		black/noir/negro
purple/violet/púrpura		transparent/transparents
grey/gris/gris		transparent/transparents

14c

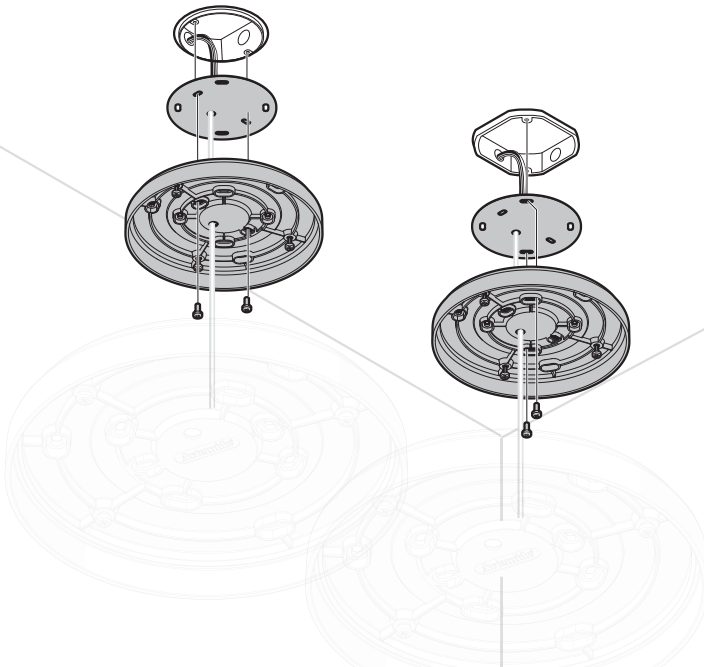


120 V

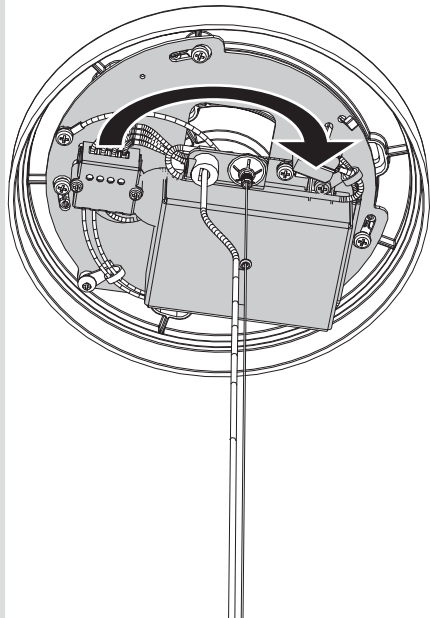
Phase cut
Coupure de phase
Corte de fase



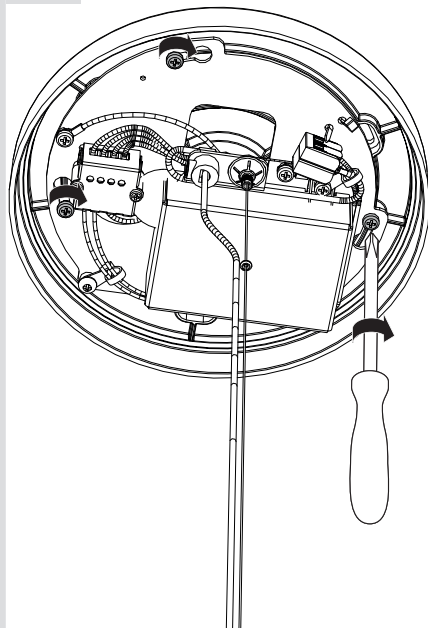
15



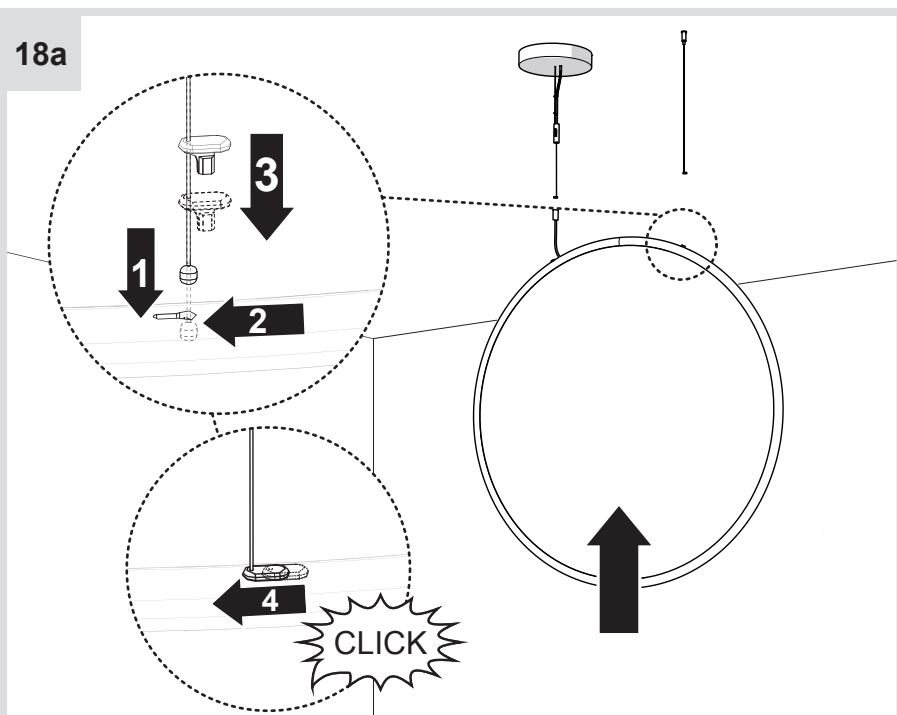
16



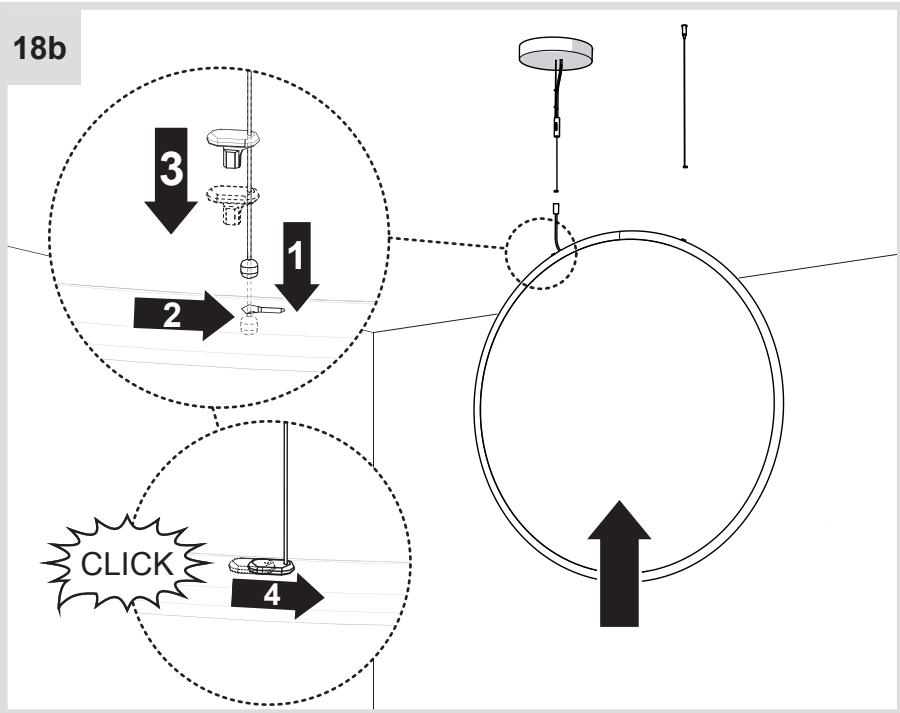
17



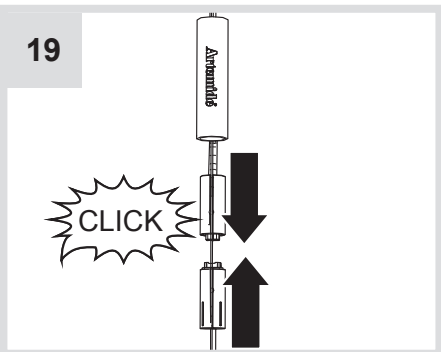
18a



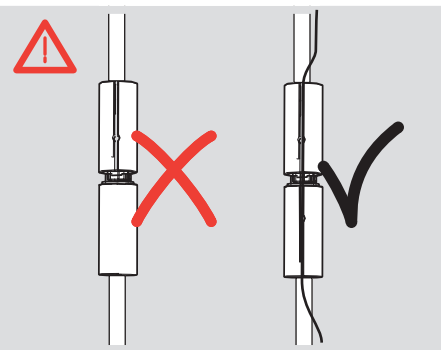
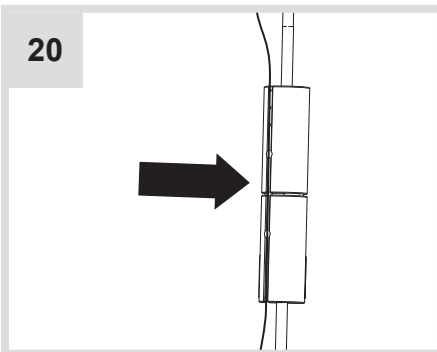
18b



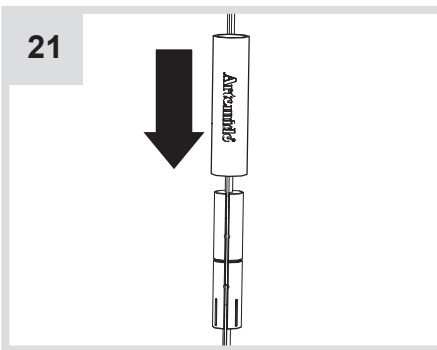
19



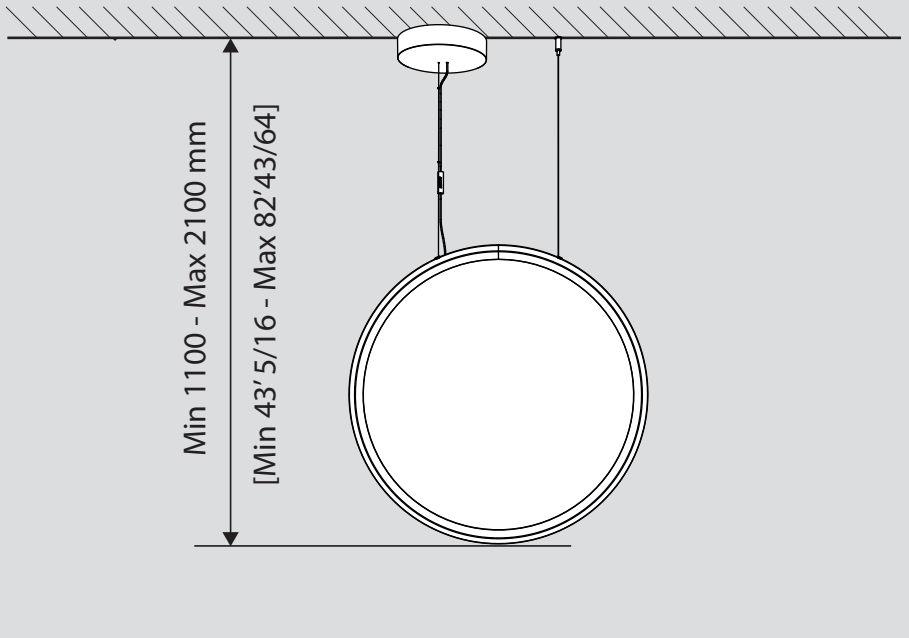
20



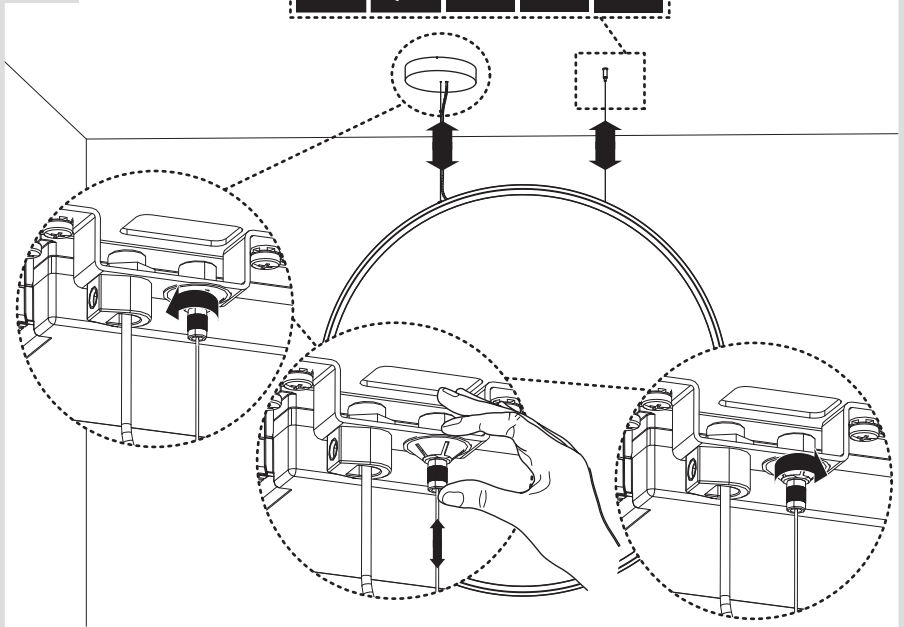
21



i

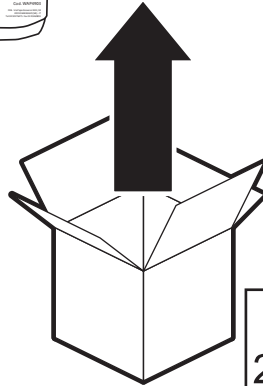


22

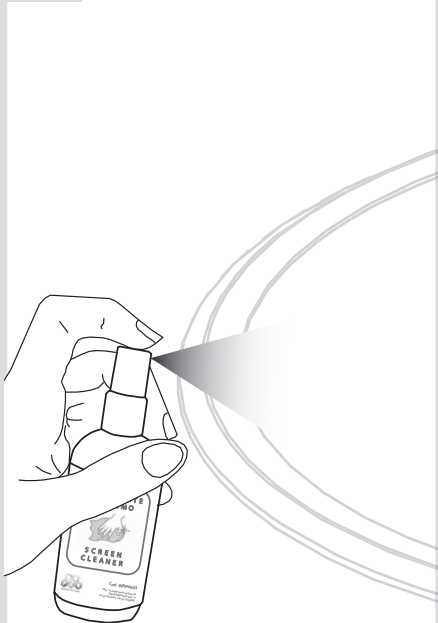




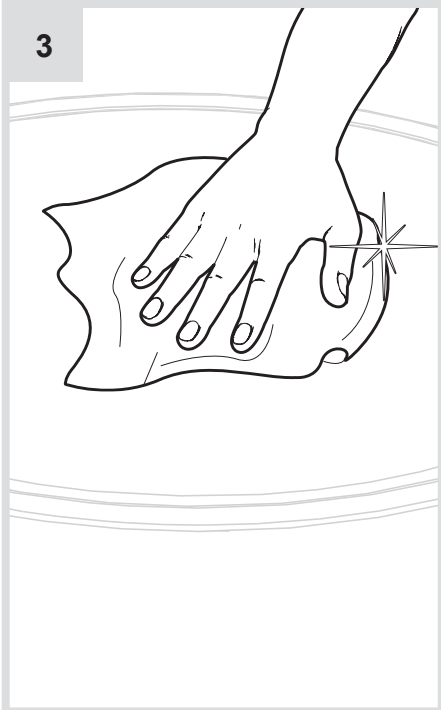
1



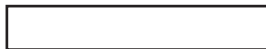
2



3



Artemide®



Artemide

via Bergamo, 18
20010 Pregnana M.se (MI)
ITALIA

tel. +39 02 935 181
fax +39 02 935 90 254
fax +39 02 935 90 496

www.artemide.com

VAT IT00846890150

Artemide Inc.

250 Karin Lane
Hicksville, NY 11801

Tel. 631 694 9292
Toll Free 1-877-Art-9111
Fax 631 694 9275

www.artemide.net

Artemide Ltée/Ltd.

11105 rue Renaude Lapointe
Montréal, Québec H1J 2T4

Tel. 514 323 6537
Toll Free 888 777 2783
Fax 514 323 8864

www.artemide.net

cod. Y513001059