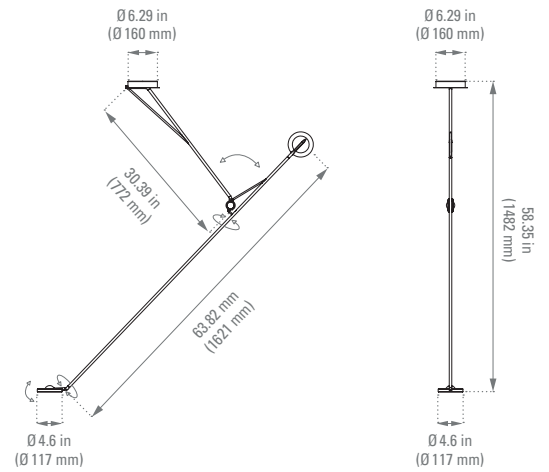


AARO ceiling

by Simon Schmitz



**TECHNICAL SHEET**  
North America standards

**FICHE TECHNIQUE**  
normes Nord Américaines



CEILING LAMP

PLAFONNIER

<b>Materials</b> Matériaux	<b>Steel, aluminium</b> Acier, aluminium
<b>Net weight</b> Poids net	<b>3,1 Kg</b>
<b>Base</b> Embase	<b>Ø 6.29 in</b> Ø 160 mm
<b>Packaging</b> Emballage	<b>71.65 x 11.61 x 8.46 in</b> 1820 x 295 x 215 mm
<b>IP</b> IP	<b>20</b>

<b>Voltage</b> Tension	<b>110/240V</b>
<b>Class</b> Classe	<b>1</b>
<b>Watt</b> Watt	<b>4,5W</b>
<b>Source</b> Source	<b>INTEGRATED LED 2700K</b>
<b>Lumens output</b> Lumens	<b>4500 lm (nominal value)</b> 4500 lm (valeur nominale)
<b>Driver</b> Driver	<b>Driver supplied (2.02 x 1.26 x 0.67 in)</b> <b>500 mA / 3-10,5V / 1,5-5,2W</b> Driver fourni (51,5 x 32,8 x 17 mm) 500 mA / 3-10,5V / 1,5-5,2W
<b>Wire</b> Câble	<b>NA</b>
<b>Switch</b> Interrupteur	<b>NA</b>
<b>Plug</b> Fiches	<b>NA</b>

**BODY** CORPS



**Black**

BL