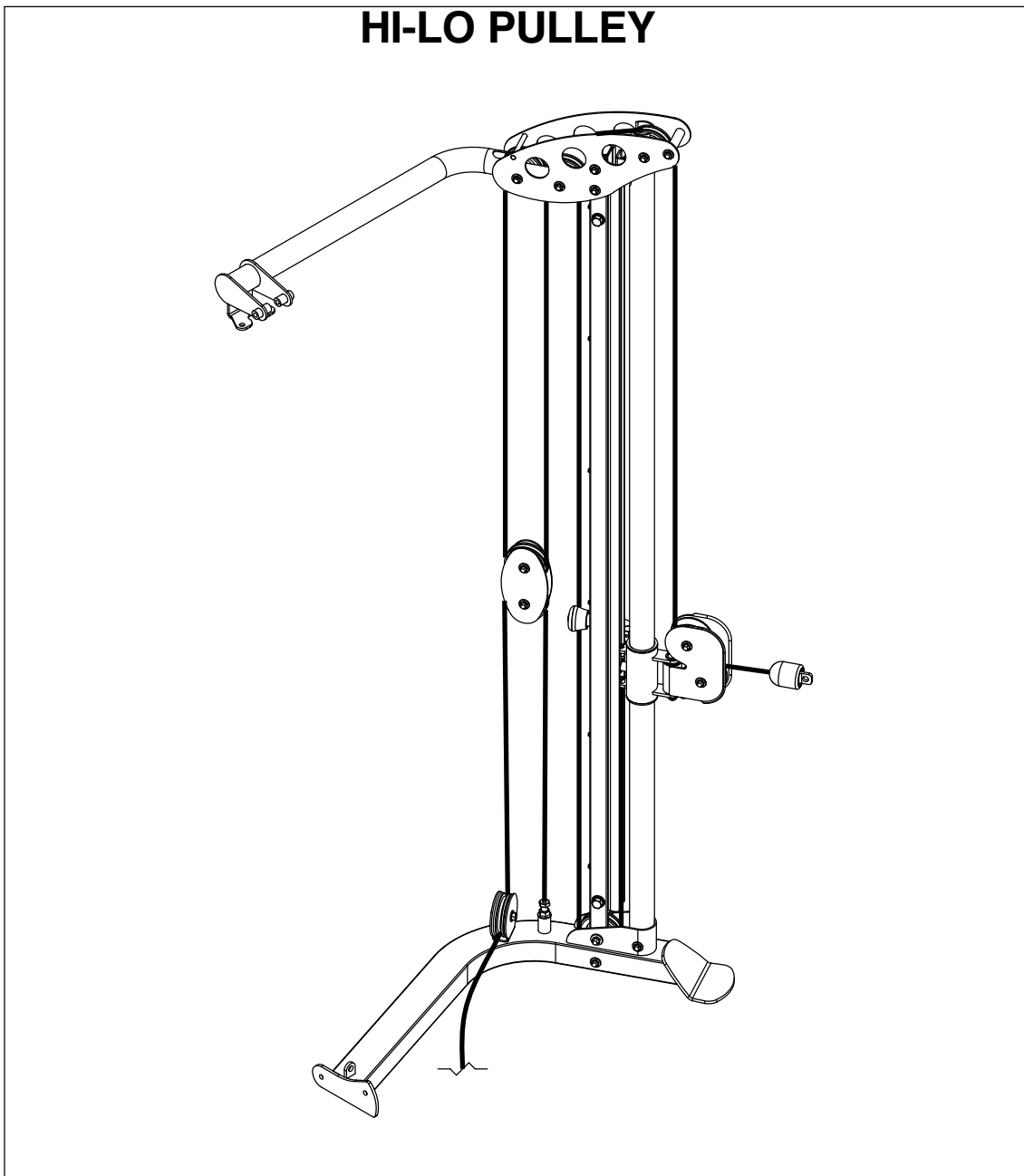


OWNER'S MANUAL



V-HI-LO OPTION HI-LO PULLEY



Note: Both Serial Number and Model Number are Required when Ordering Parts

RECORD SERIAL NUMBER HERE

MACHINE CODE

Customer Service

(800) 548-5438

(858) 578-7676

Fax

(858) 578-9558



www.facebook.com/hoistfitness

OWNER'S MANUAL

CONTENTS

INSTRUCTIONS	02
FRAME ASSEMBLY	04
PRE-ASSEMBLY.....	38
DECAL PLACEMENT.....	39
DECAL REFERENCE.....	40
PART LIST.....	41
ABBREVIATIONS.....	44
BOLT SIZING CHART.....	45
WASHER SIZING CHART.....	47
MAINTENANCE SCHEDULE.....	49
GENERAL MAINTENANCE INFORMATION.....	50
WEIGHT TRAINING TIPS.....	51
WEIGHT RATIOS.....	52
EXERCISE LOG.....	53
LIMITED WARRANTY.....	54

OWNER'S MANUAL

INSTRUCTIONS

Before beginning assembly please take the time to read instructions thoroughly. Please use the various lists in this manual to make sure that all parts have been included in your shipment. When ordering, use part number and description from the lists. Use only HOIST replacement parts when servicing. Failure to do so will void your warranty and could result in personal injury.

HOIST equipment is designed to provide the smoothest, most effective exercise motion possible. After assembly, you should check all functions to ensure correct operation. If you experience problems, first recheck the assembly instructions to locate any possible errors made during assembly. If you are unable to correct the problem, call your authorized HOIST dealer. Be sure to have your serial number and this manual when calling. When all parts have been accounted for, continue on.

TOOLS REQUIRED

Ratchet Wrench

1/2", 9/16" and 3/4" Sockets

Adjustable Wrench

Rubber Mallet

Tape Measure

Level

Hex Key Wrench Set

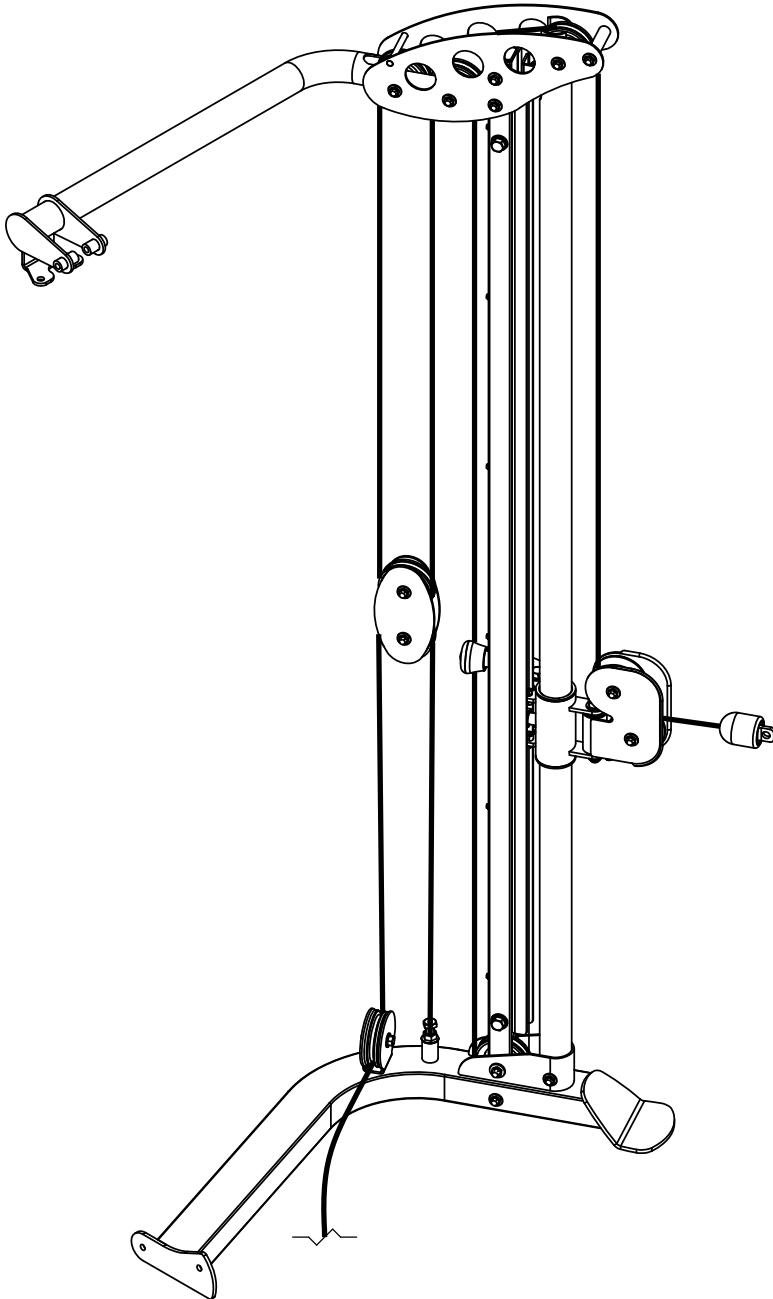
2 People Required For Assembly

OWNER'S MANUAL

THIS PAGE WAS INTENTIONALLY LEFT BLANK

OWNER'S MANUAL

FRAME ASSEMBLY



OWNER'S MANUAL

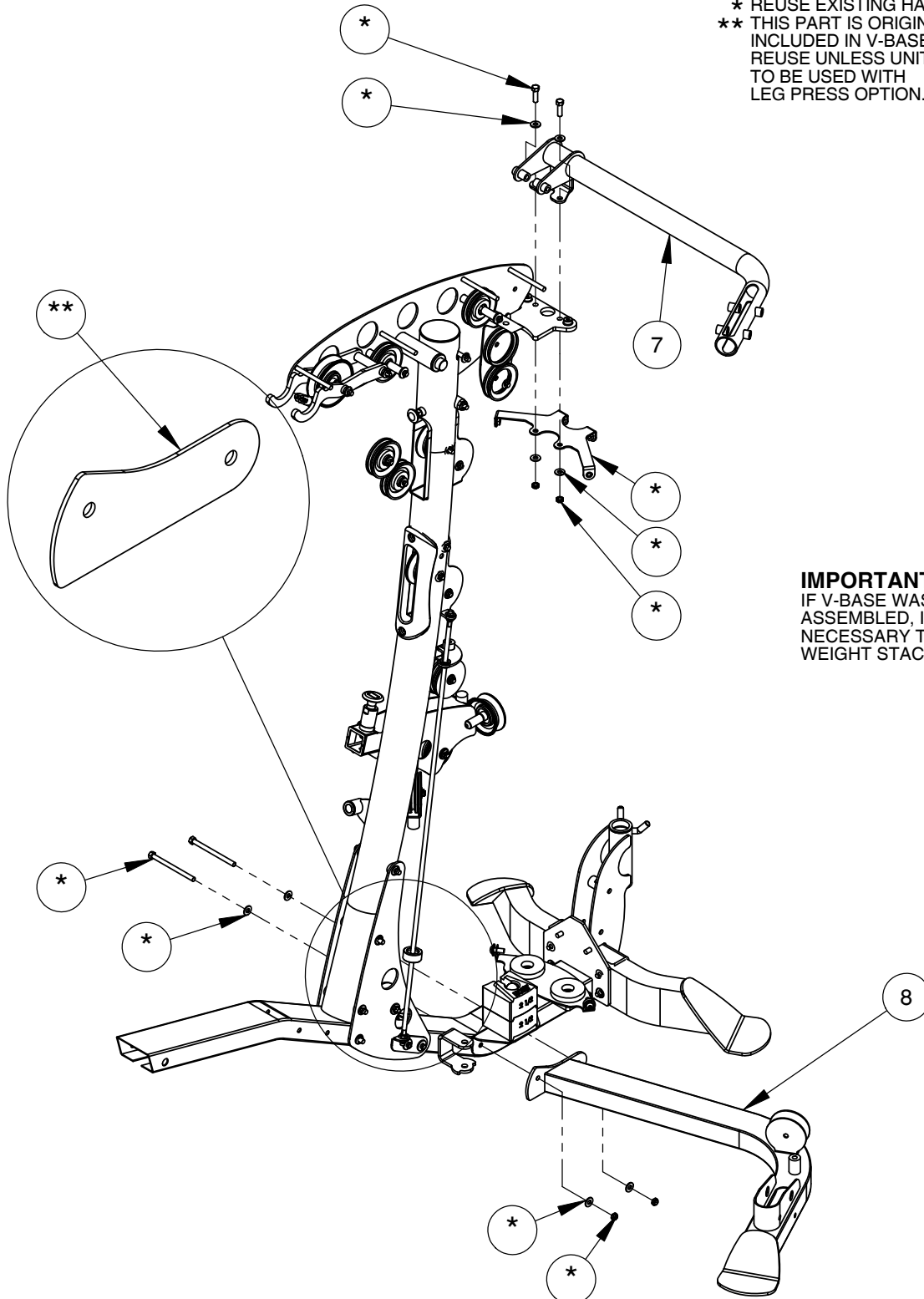
FRAME ASSEMBLY

NOTE:

- HAND TIGHTEN HARDWARE.
- SOME PARTS MAY HAVE BEEN REMOVED FOR CLARITY.

* REUSE EXISTING HARDWARE.

** THIS PART IS ORIGINALLY INCLUDED IN V-BASE UNIT, REUSE UNLESS UNIT IS TO BE USED WITH LEG PRESS OPTION.



IMPORTANT:

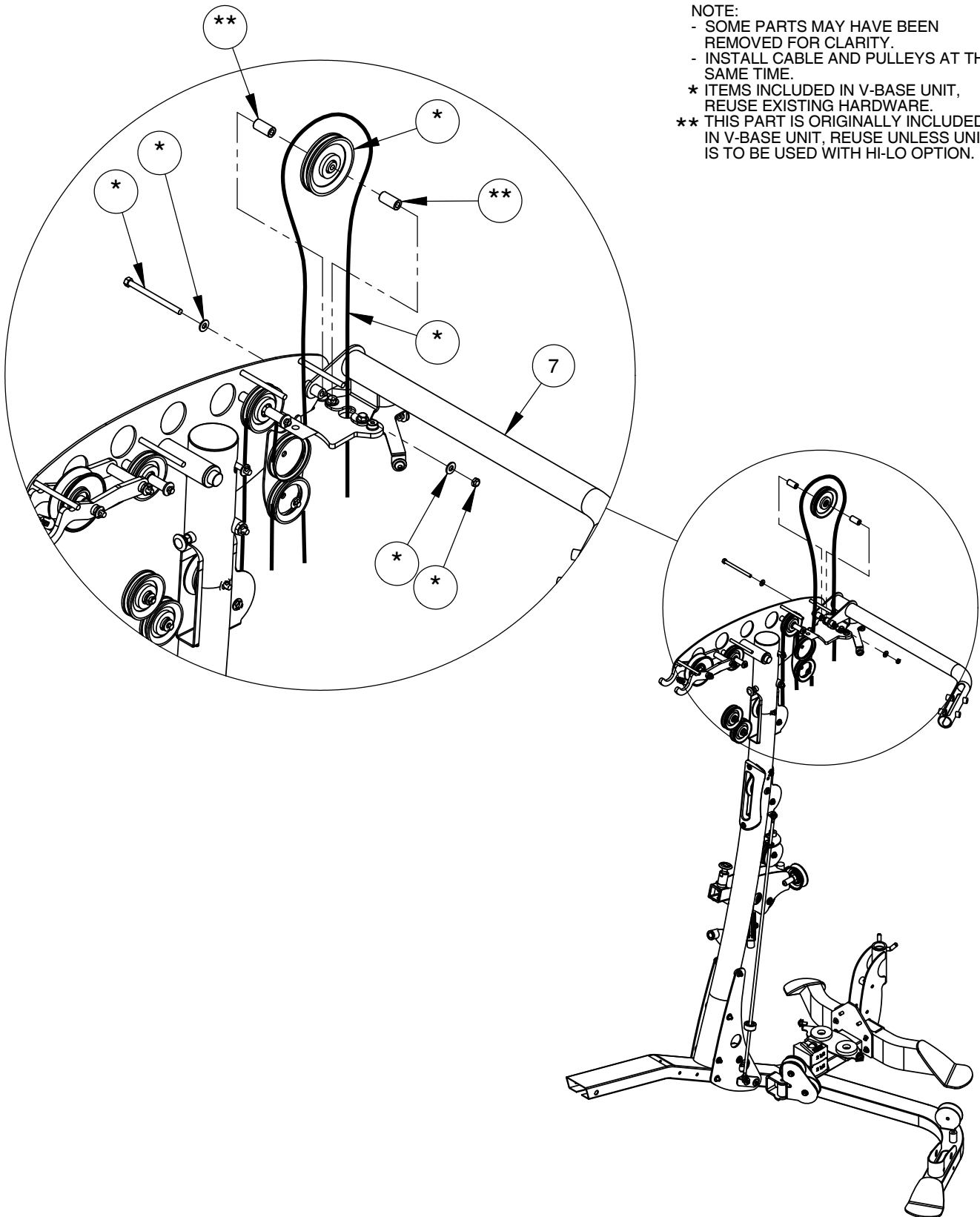
IF V-BASE WAS PREVIOUSLY ASSEMBLED, IT MAY BE NECESSARY TO REMOVE V-BASE WEIGHT STACK SHEILD.

OWNER'S MANUAL

FRAME ASSEMBLY

NOTE:

- SOME PARTS MAY HAVE BEEN REMOVED FOR CLARITY.
- INSTALL CABLE AND PULLEYS AT THE SAME TIME.
- * ITEMS INCLUDED IN V-BASE UNIT, REUSE EXISTING HARDWARE.
- ** THIS PART IS ORIGINALLY INCLUDED IN V-BASE UNIT, REUSE UNLESS UNIT IS TO BE USED WITH HI-LO OPTION.

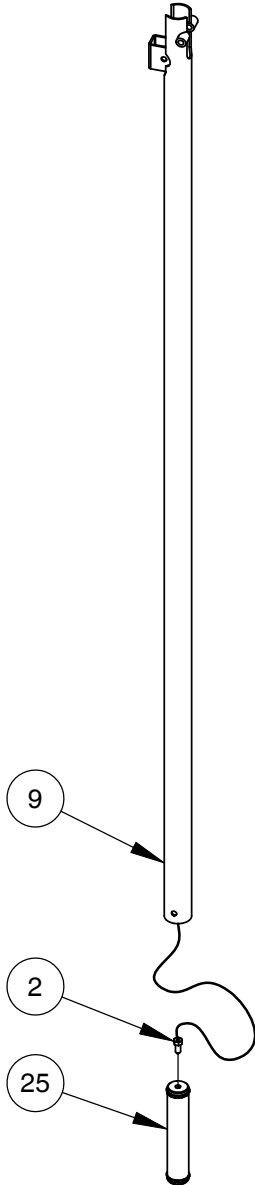


OWNER'S MANUAL

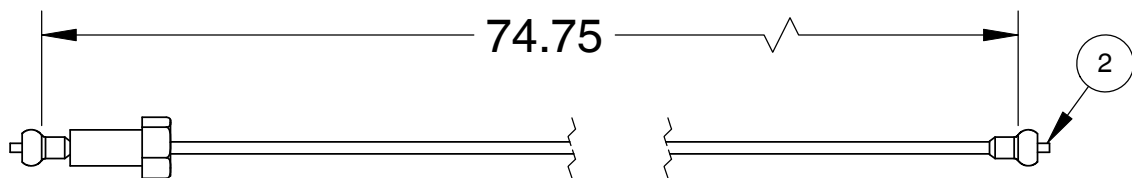
FRAME ASSEMBLY

NOTE:
- WRENCH TIGHTEN HARDWARE.
- SOME PARTS MAY HAVE BEEN
REMOVED FOR CLARITY.

STEP 1
INSERT CABLE(2) AND
COUNTER WEIGHT
FROM BOTTOM AS
SHOWN.



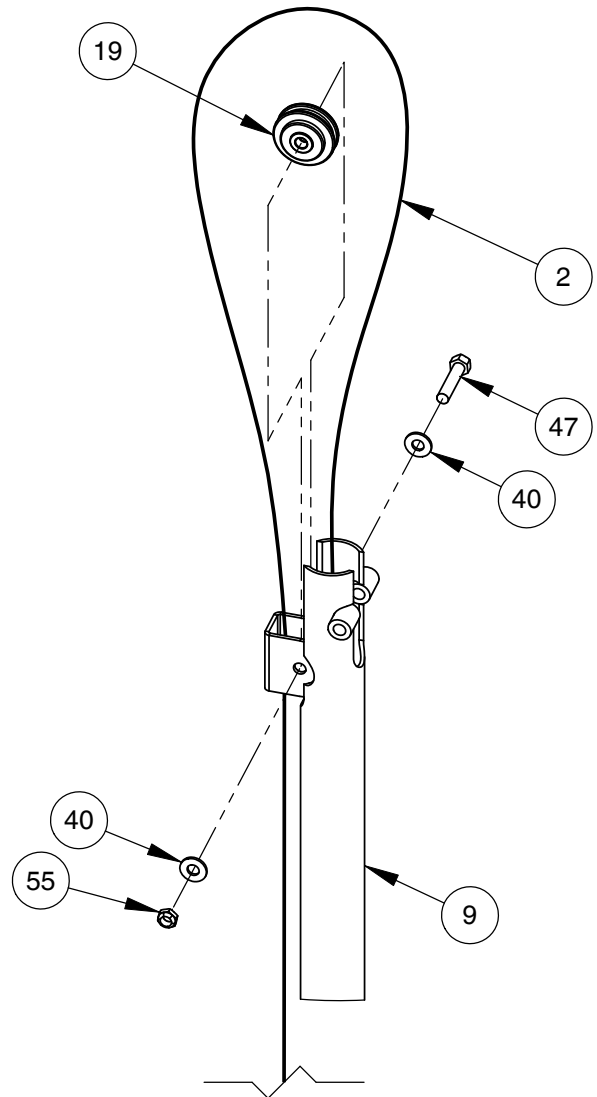
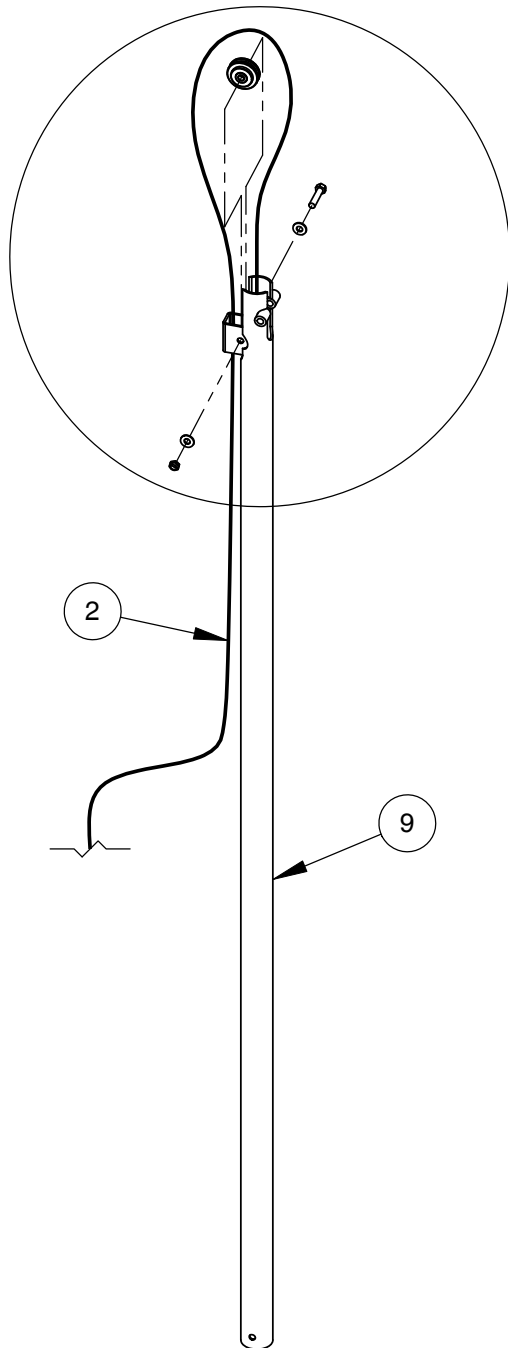
STEP 2
SLIDE COUNTER WEIGHT
TOWARDS TOP AND PULL
CABLE (2) THROUGH.



OWNER'S MANUAL

FRAME ASSEMBLY

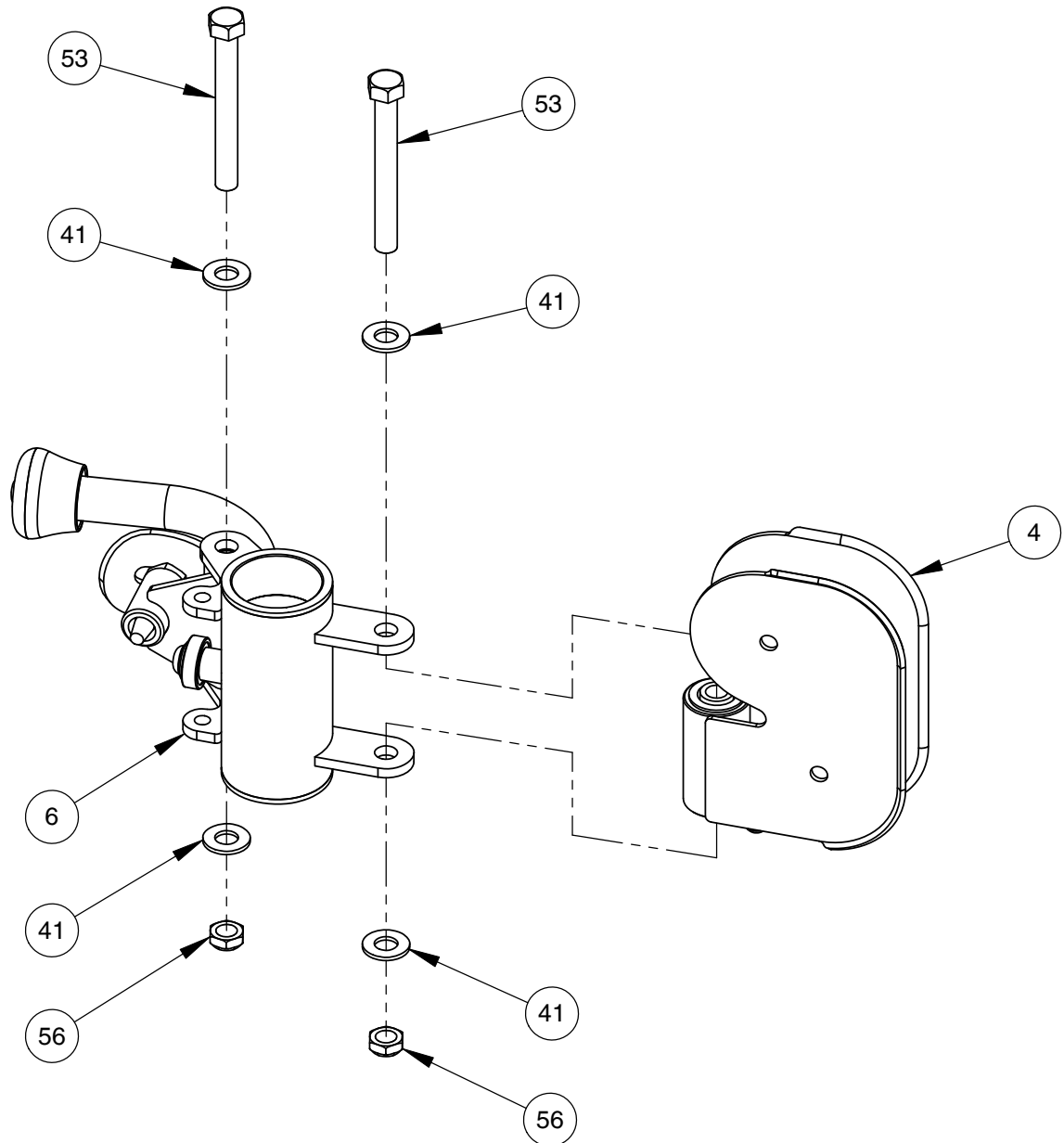
- NOTE:
- SOME PARTS MAY HAVE BEEN REMOVED FOR CLARITY.
 - INSTALL CABLE AND PULLEYS AT THE SAME TIME.
 - WRENCH TIGHTEN HARDWARE.



OWNER'S MANUAL

FRAME ASSEMBLY

NOTE:
- SOME PARTS MAY HAVE BEEN
REMOVED FOR CLARITY.
- WRENCH TIGHTEN HARDWARE (53) THEN
LOOSEN NUT JUST ENOUGH FOR (4,6)
TO PIVOT FREELY.

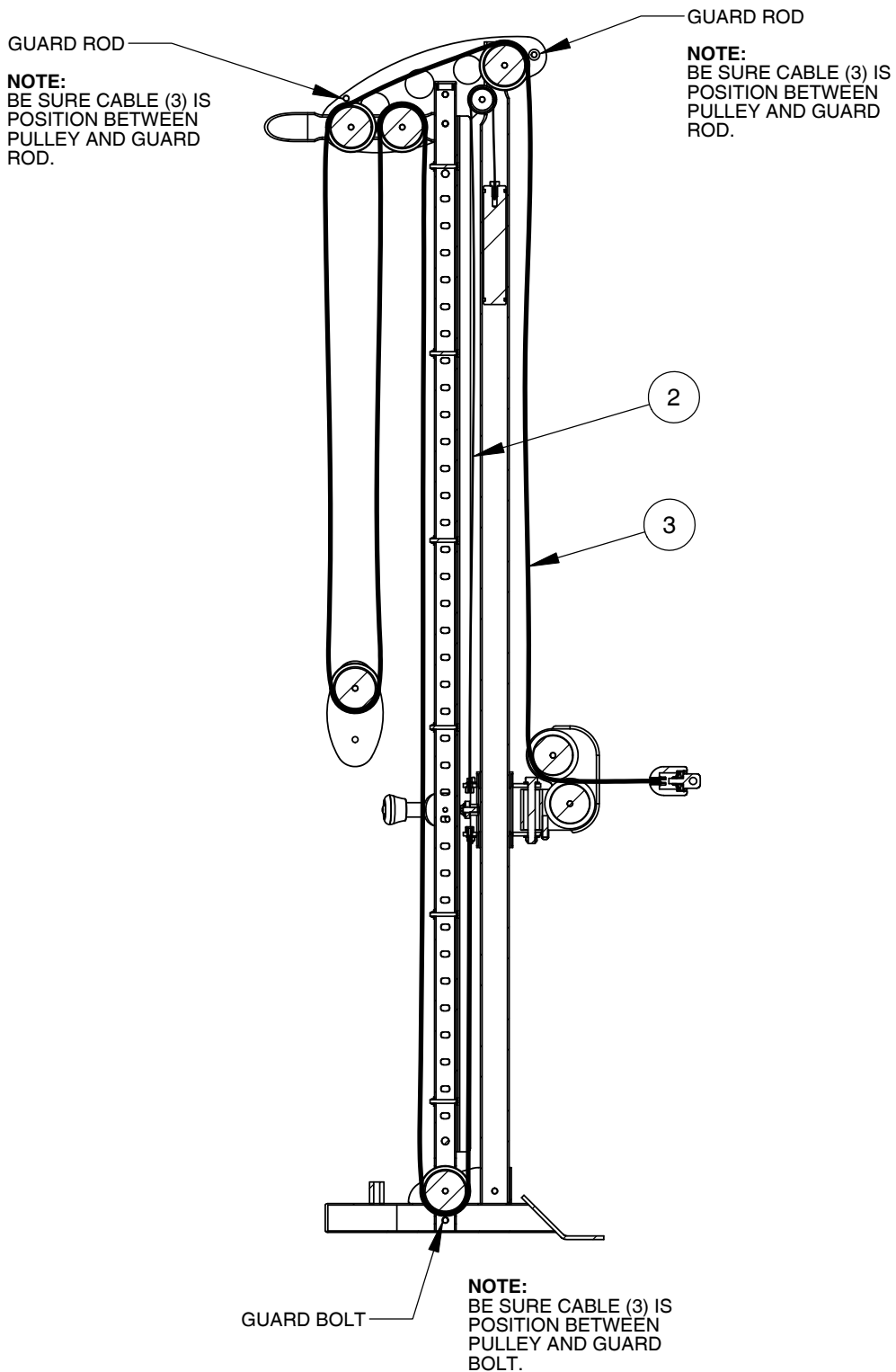


OWNER'S MANUAL

FRAME ASSEMBLY

NOTE:
- SOME PARTS MAY HAVE BEEN
REMOVED FOR CLARITY.

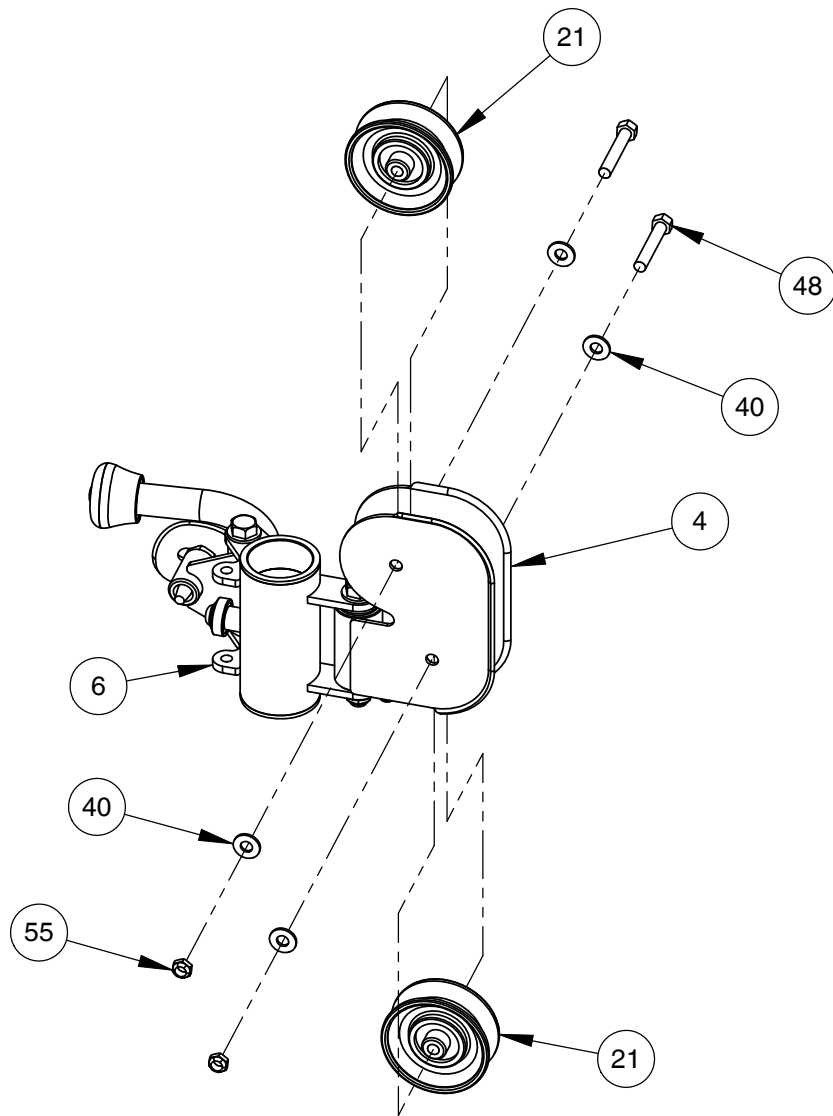
CABLING PROFILE VIEW



OWNER'S MANUAL

FRAME ASSEMBLY

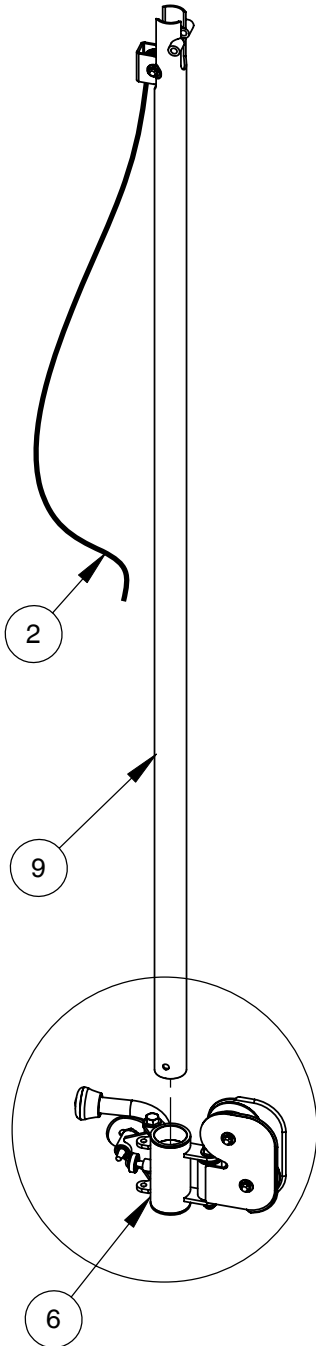
- NOTE:
- SOME PARTS MAY HAVE BEEN
REMOVED FOR CLARITY.
- WRENCH TIGHTEN HARDWARE.



OWNER'S MANUAL

FRAME ASSEMBLY

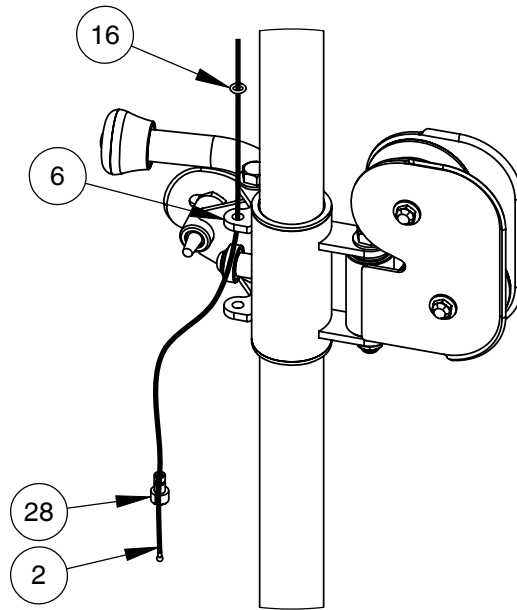
STEP 1



NOTE:
- SOME PARTS MAY HAVE BEEN REMOVED FOR CLARITY.

STEP 1
- SLIDE HI-LO ADJUSTER ASSEMBLY (6) ONTO GUIDE TUBE ASSEMBLY (9) AS SHOWN.

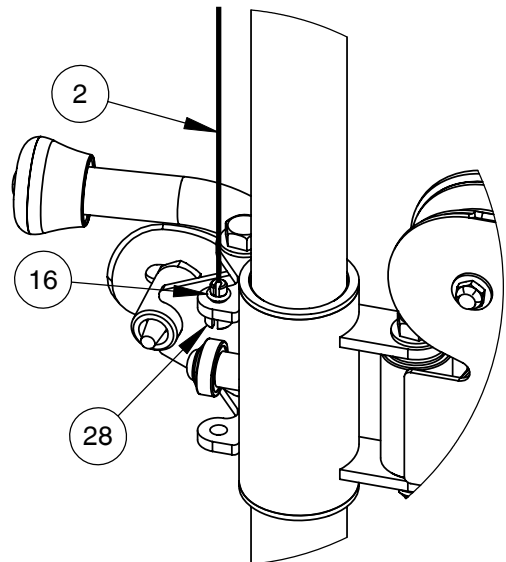
STEP 2



STEP 2
- INSERT THE CABLE ASSEMBLY (2) THRU ADJUSTER ASSEMBLY (6) AS SHOWN.
- THEN INSTALL CABLE LOCK (28) ONTO CABLE ASSEMBLY (2) TO FASTEN (2) TO (6).

STEP 3
- INSTALL THE RUBBER O-RING (16) ONTO THE CABLE LOCK (28) TO SECURE CABLE ASSEMBLY (2).

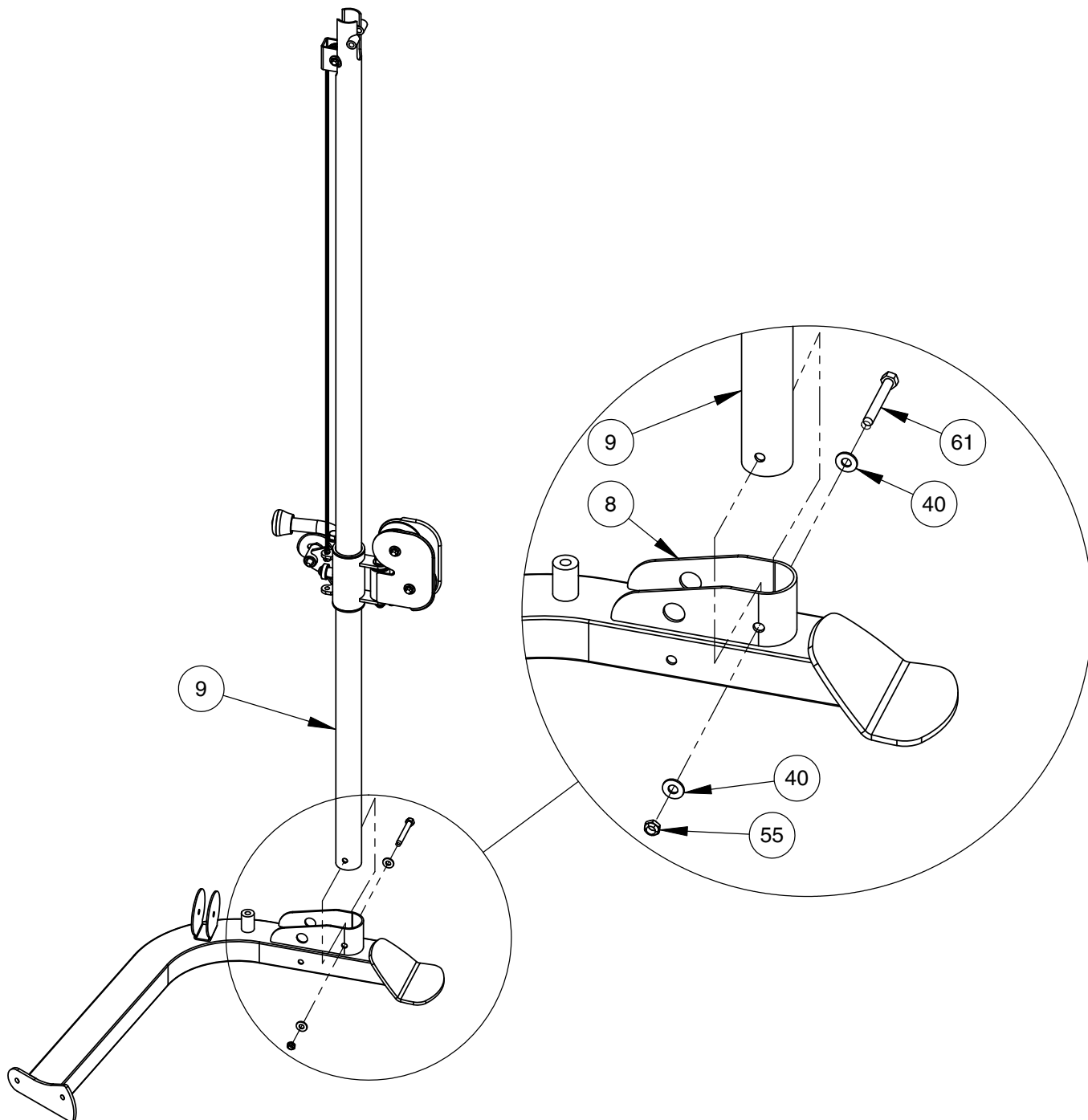
STEP 3



OWNER'S MANUAL

FRAME ASSEMBLY

- NOTE:
- SOME PARTS MAY HAVE BEEN
REMOVED FOR CLARITY.
- HAND TIGHTEN HARDWARE.

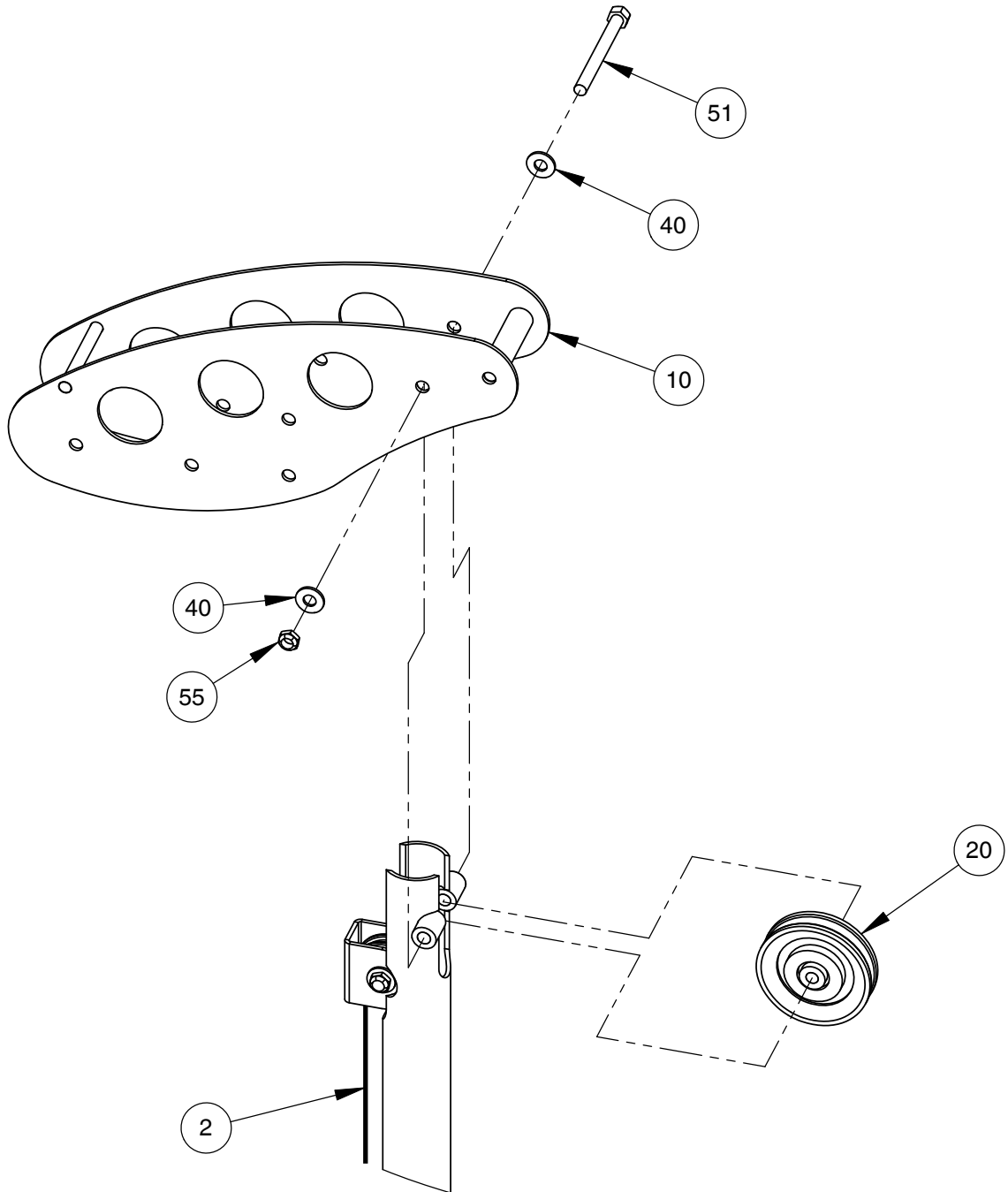


OWNER'S MANUAL

FRAME ASSEMBLY

NOTE:

- SOME PARTS MAY HAVE BEEN REMOVED FOR CLARITY.
- INSTALL CABLE AND PULLEYS AT THE SAME TIME.
- HAND TIGHTEN HARDWARE.

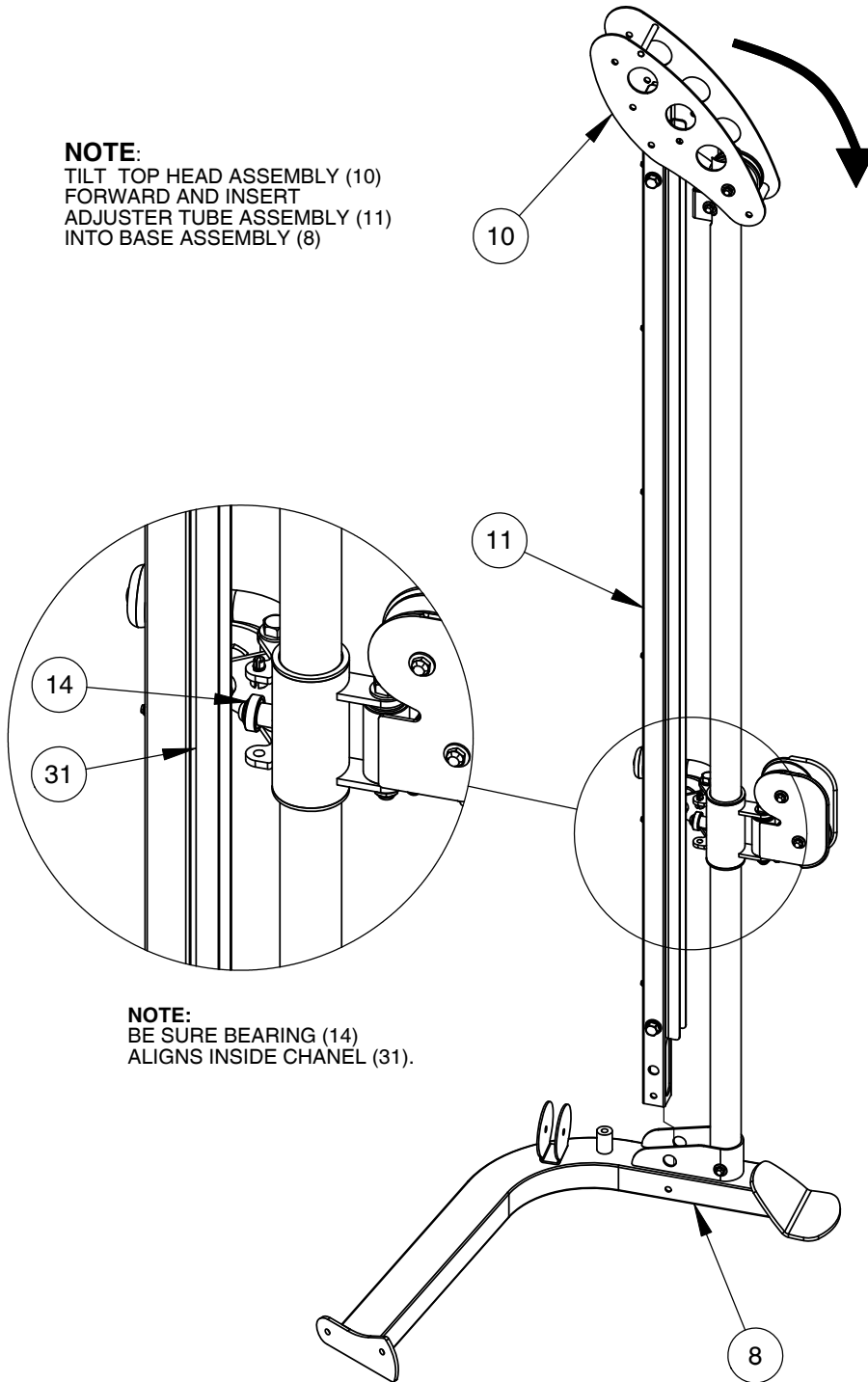


OWNER'S MANUAL

FRAME ASSEMBLY

NOTE:
- SOME PARTS MAY HAVE BEEN
REMOVED FOR CLARITY.

NOTE:
TILT TOP HEAD ASSEMBLY (10)
FORWARD AND INSERT
ADJUSTER TUBE ASSEMBLY (11)
INTO BASE ASSEMBLY (8)

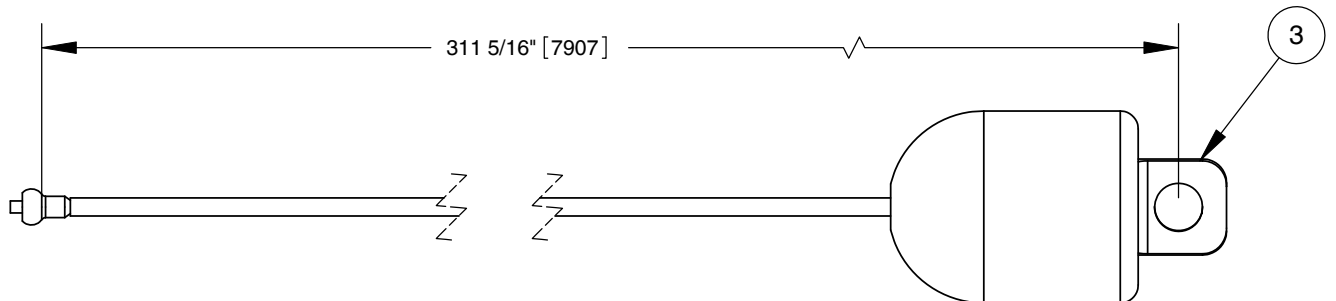
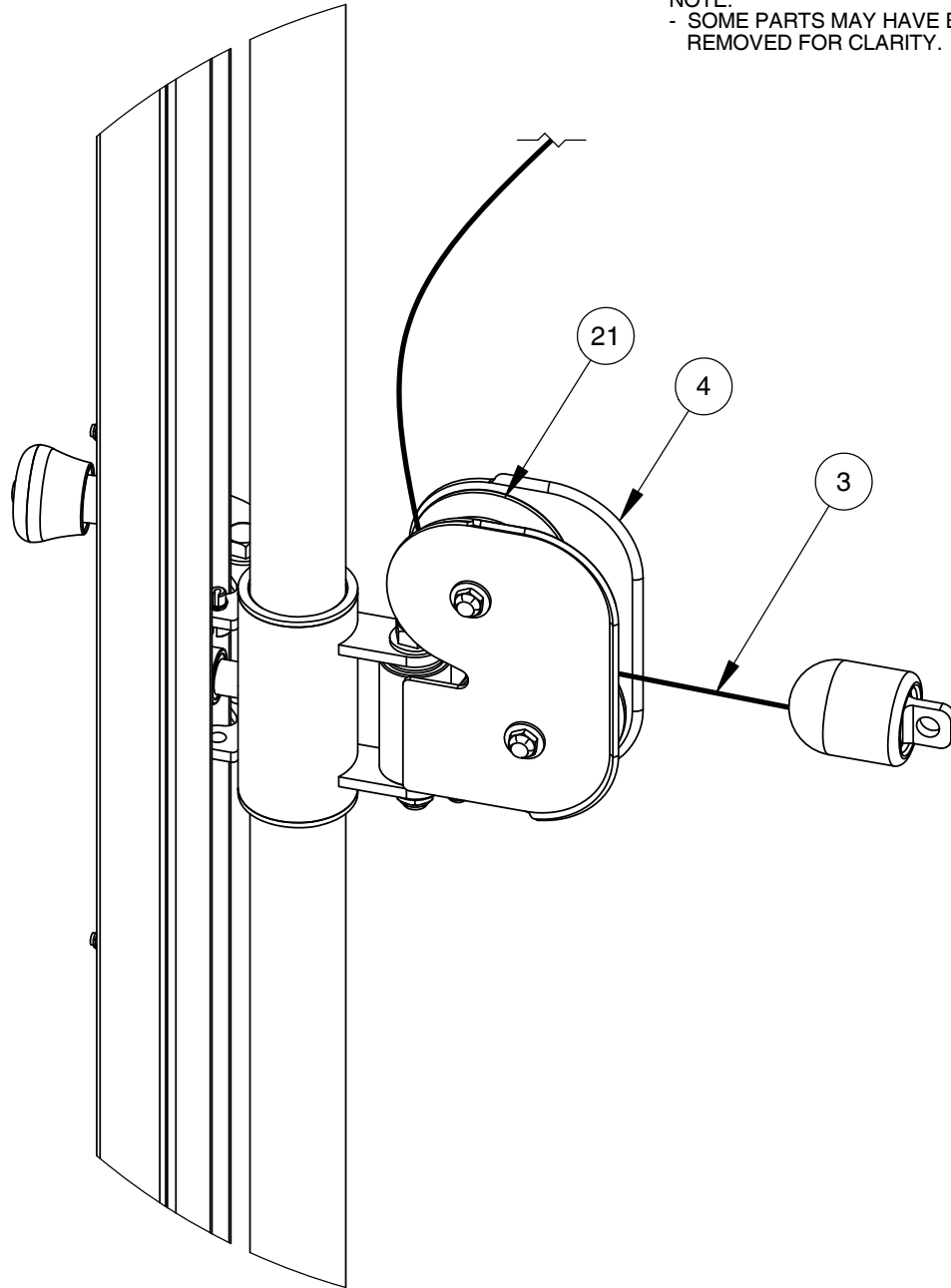


NOTE:
BE SURE BEARING (14)
ALIGNS INSIDE CHANNEL (31).

OWNER'S MANUAL

FRAME ASSEMBLY

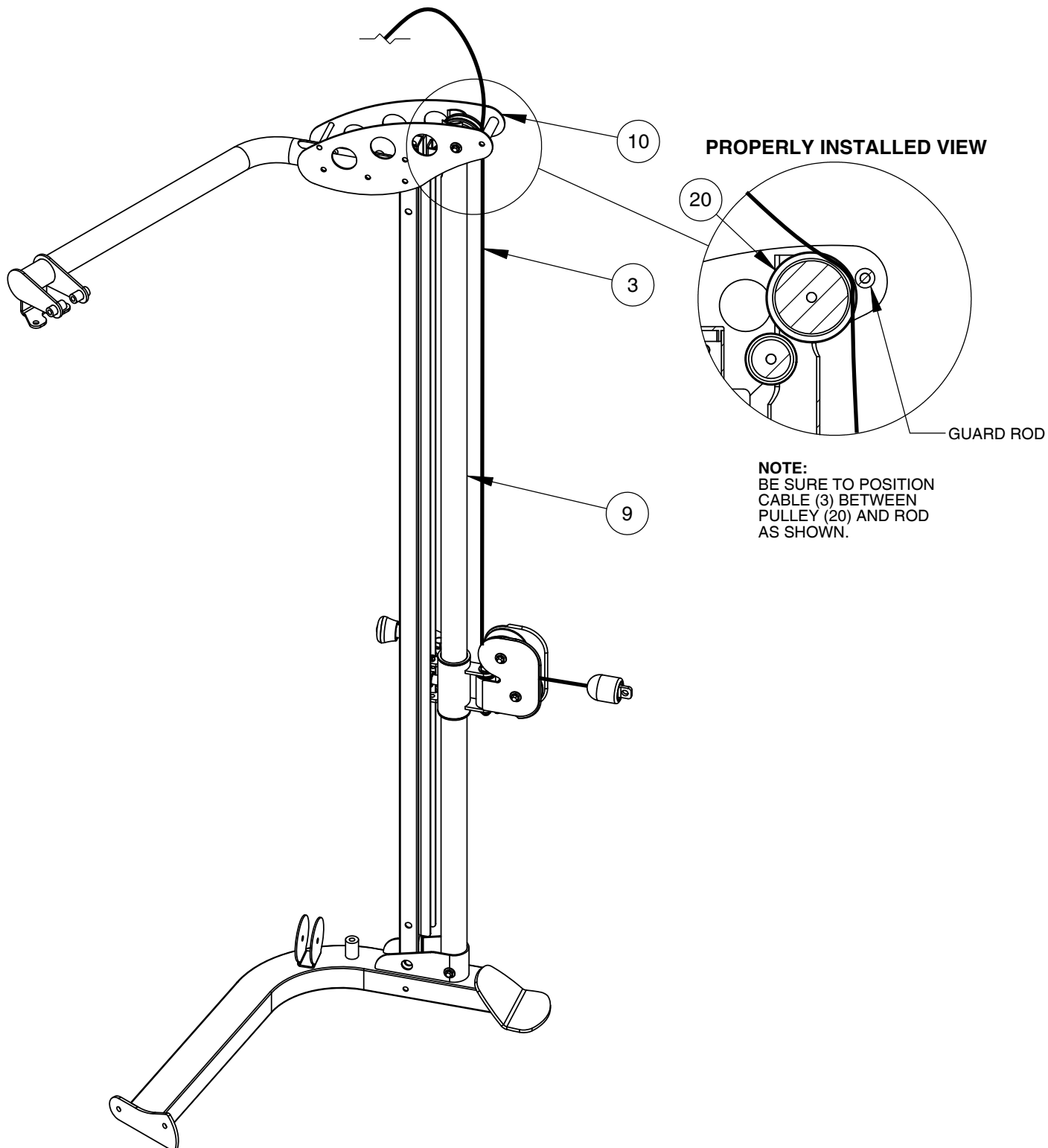
NOTE:
- SOME PARTS MAY HAVE BEEN
REMOVED FOR CLARITY.



OWNER'S MANUAL

FRAME ASSEMBLY

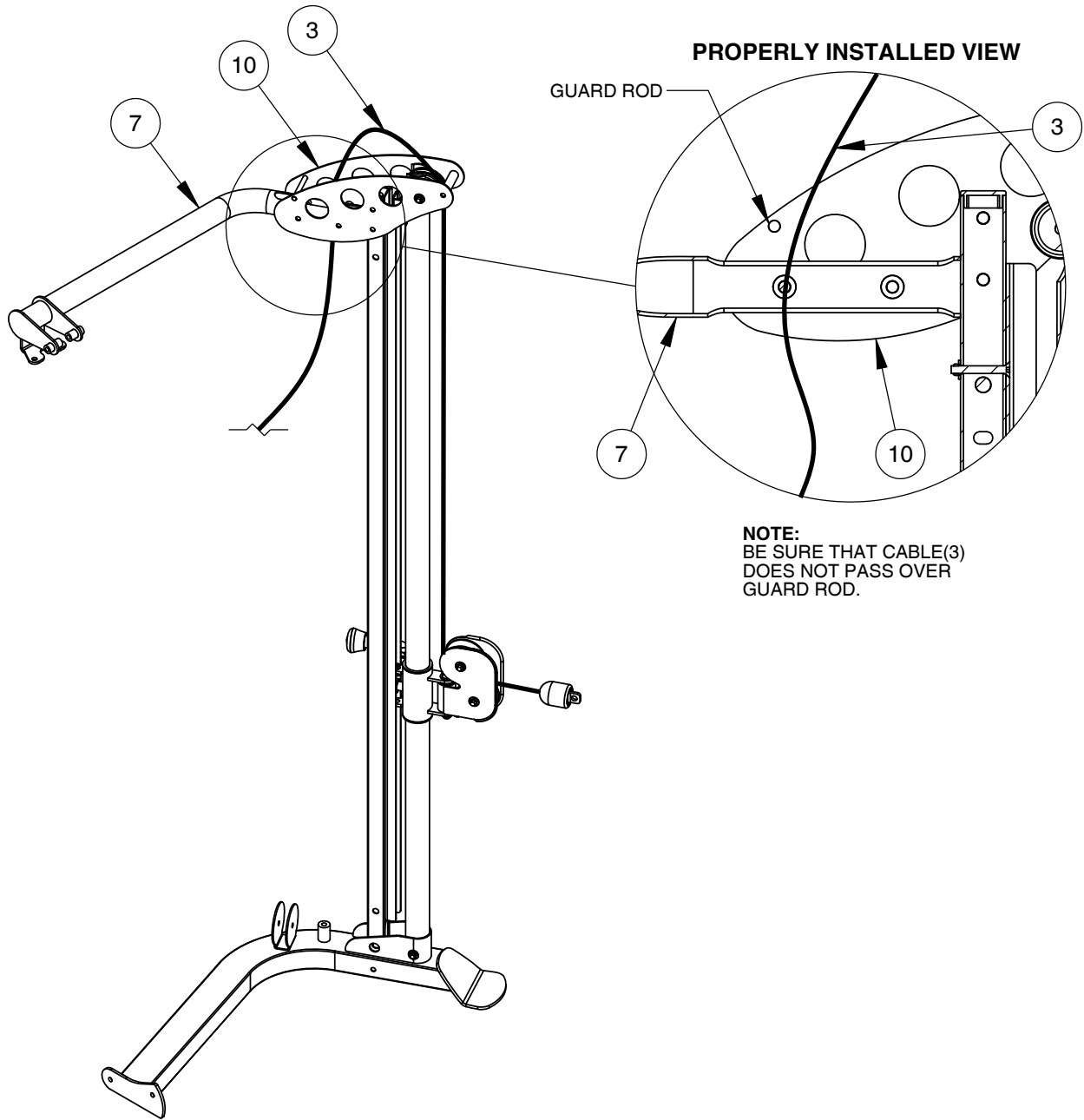
NOTE:
- SOME PARTS MAY HAVE BEEN
REMOVED FOR CLARITY.



OWNER'S MANUAL

FRAME ASSEMBLY

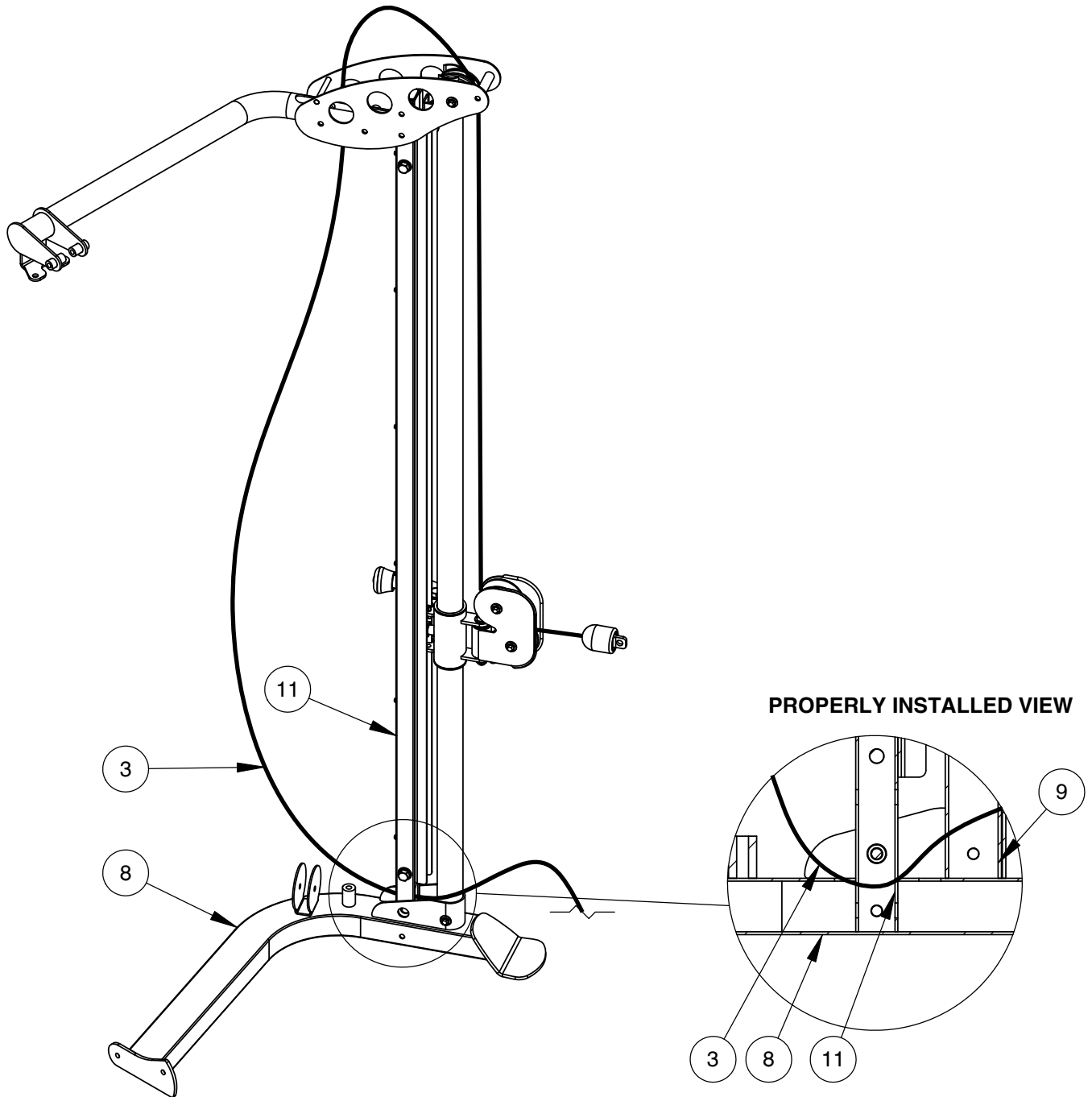
NOTE:
- SOME PARTS MAY HAVE BEEN
REMOVED FOR CLARITY.



OWNER'S MANUAL

FRAME ASSEMBLY

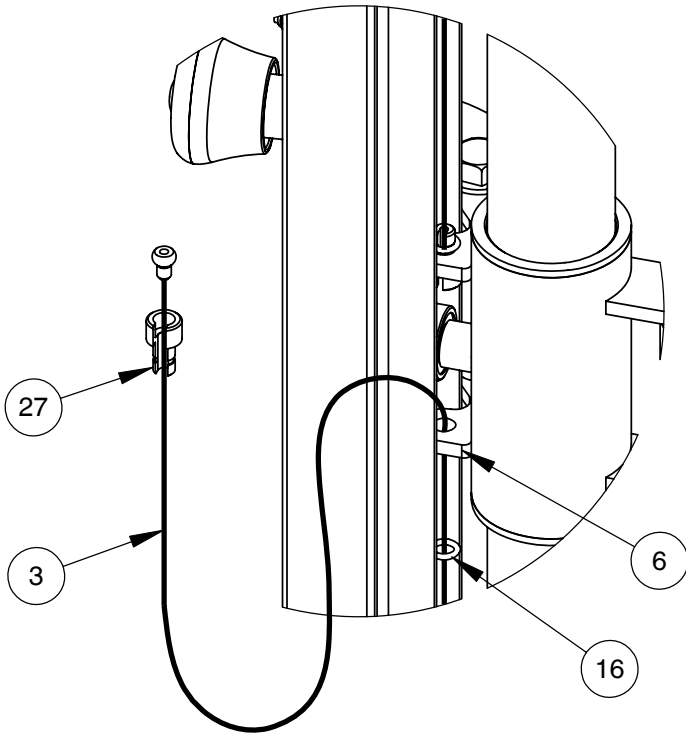
NOTE:
- SOME PARTS MAY HAVE BEEN
REMOVED FOR CLARITY.



OWNER'S MANUAL

FRAME ASSEMBLY

STEP 1

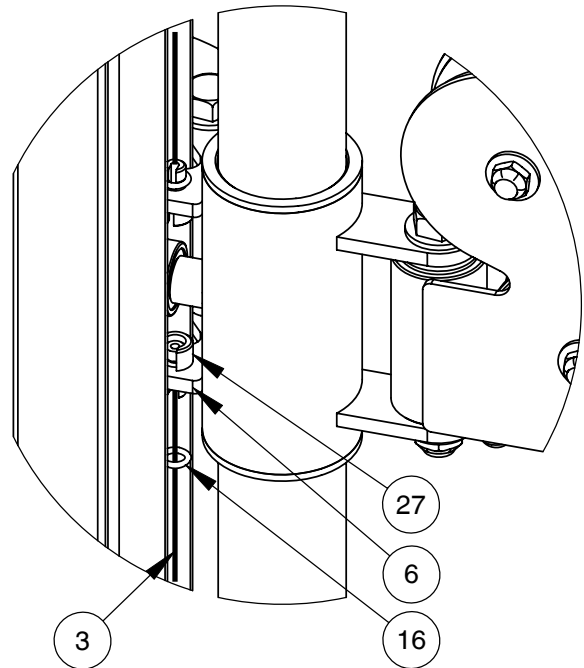


NOTE:
- SOME PARTS MAY HAVE BEEN REMOVED FOR CLARITY.

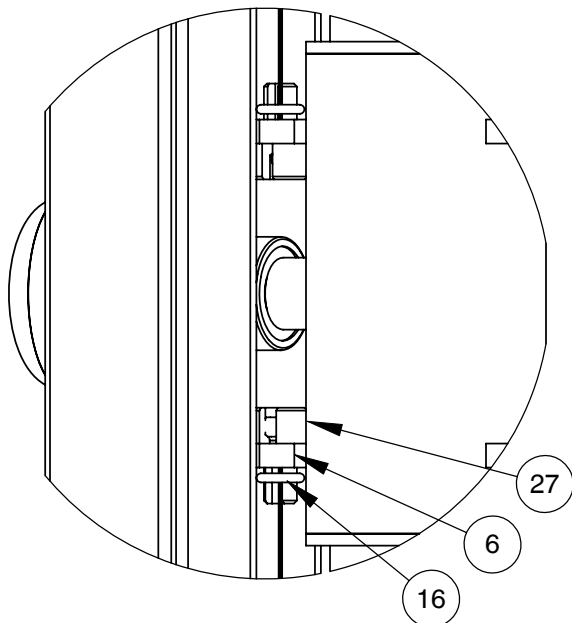
- STEP 1
- INSERT THE CABLE ASSEMBLY (3) THRU ADJUSTER ASSEMBLY (6) AS SHOWN.
 - THEN INSTALL CABLE LOCK (27) ONTO CABLE ASSEMBLY (3) TO FASTEN (3) TO (6).
 - USE NEEDLE PLIERS AS NEEDED.

- STEPS 2 & 3
- INSTALL THE RUBBER O-RING (16) ONTO THE CABLE LOCK (27) TO SECURE CABLE ASSEMBLY (3).

STEP 2



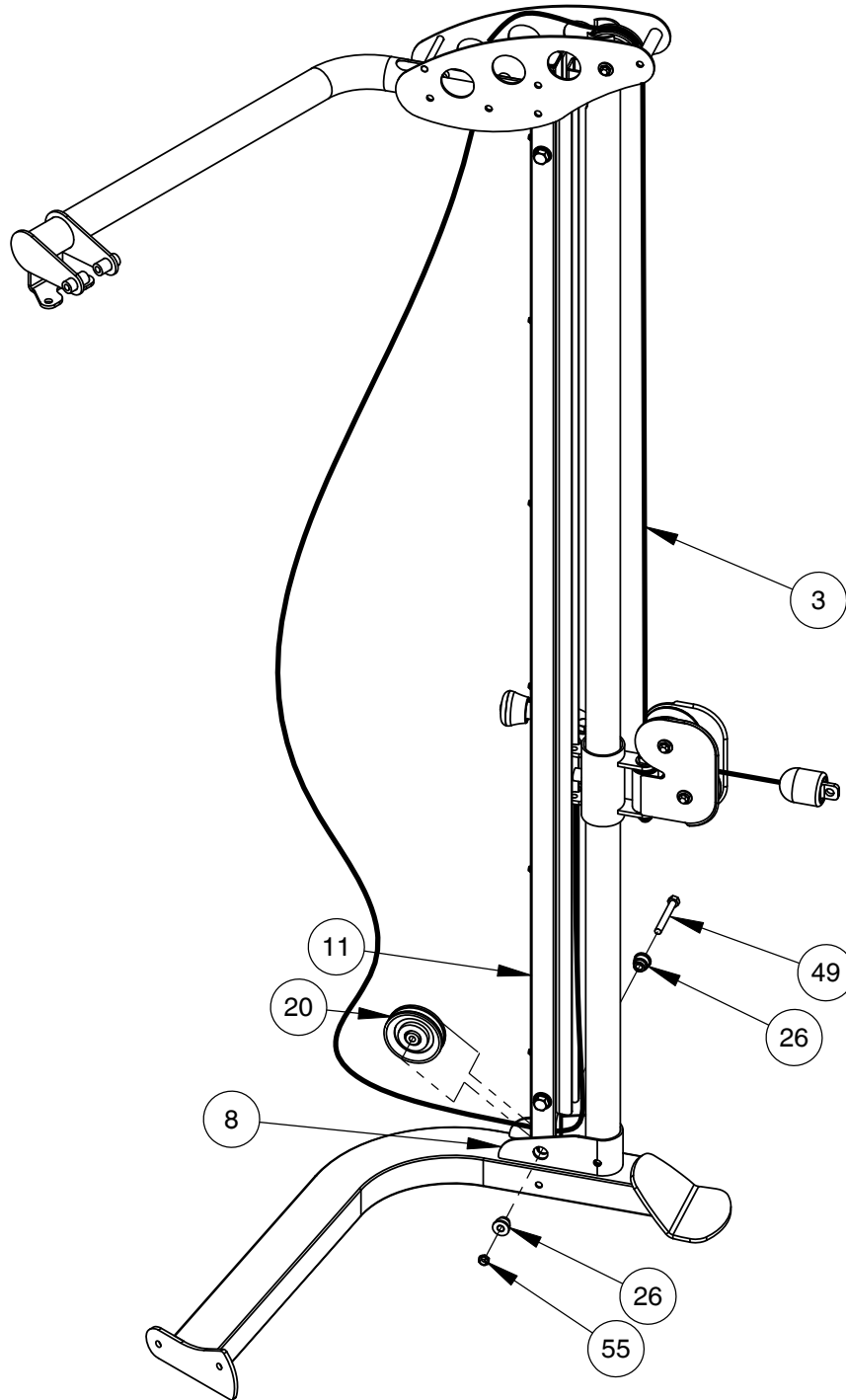
STEP 3



OWNER'S MANUAL

FRAME ASSEMBLY

- NOTE:
- SOME PARTS MAY HAVE BEEN
REMOVED FOR CLARITY.
- WRENCH TIGHTEN HARDWARE.

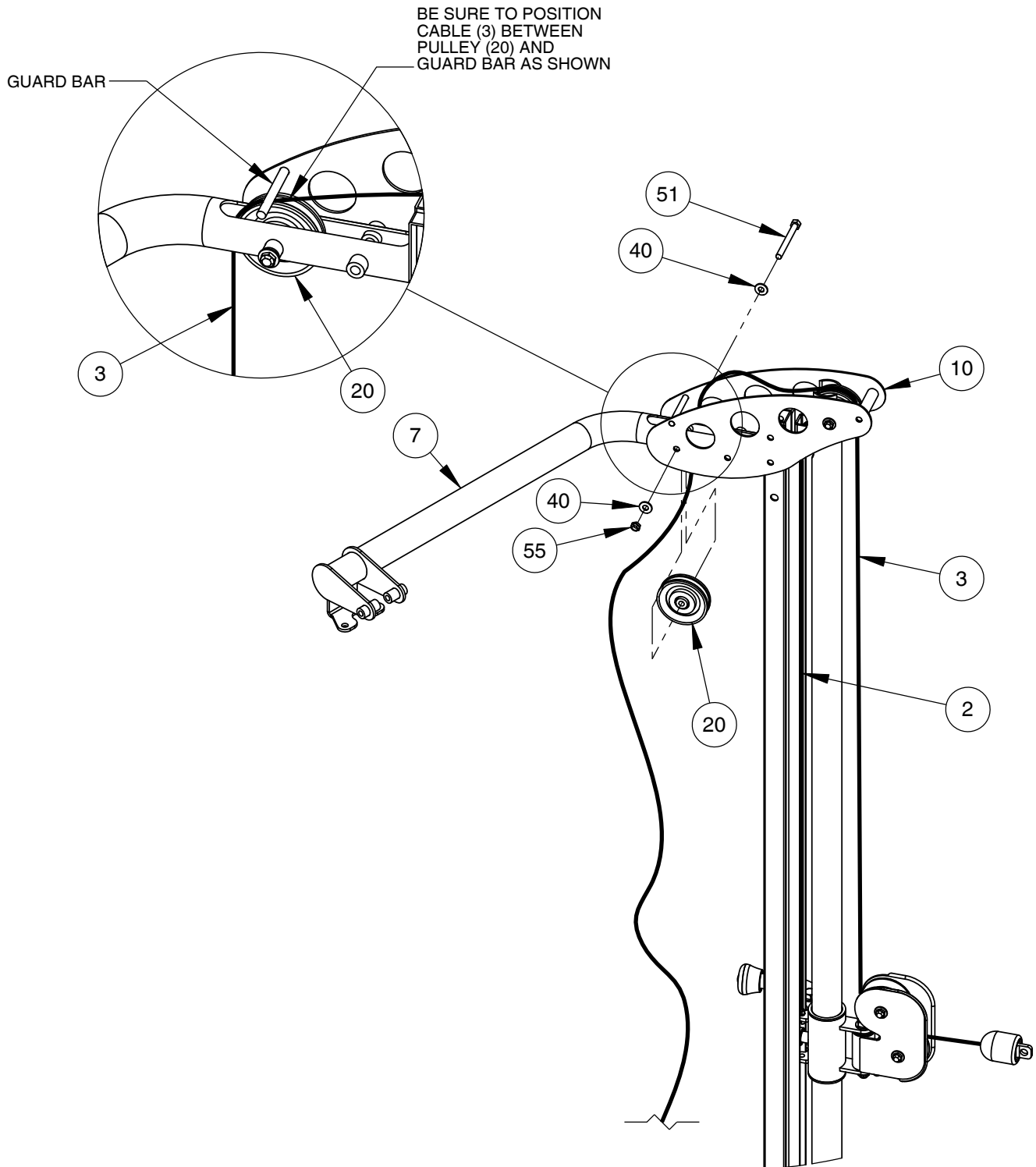


OWNER'S MANUAL

FRAME ASSEMBLY

NOTE:
- SOME PARTS MAY HAVE BEEN
REMOVED FOR CLARITY.
- HAND TIGHTEN HARDWARE.

PROPERLY INSTALLED VIEW

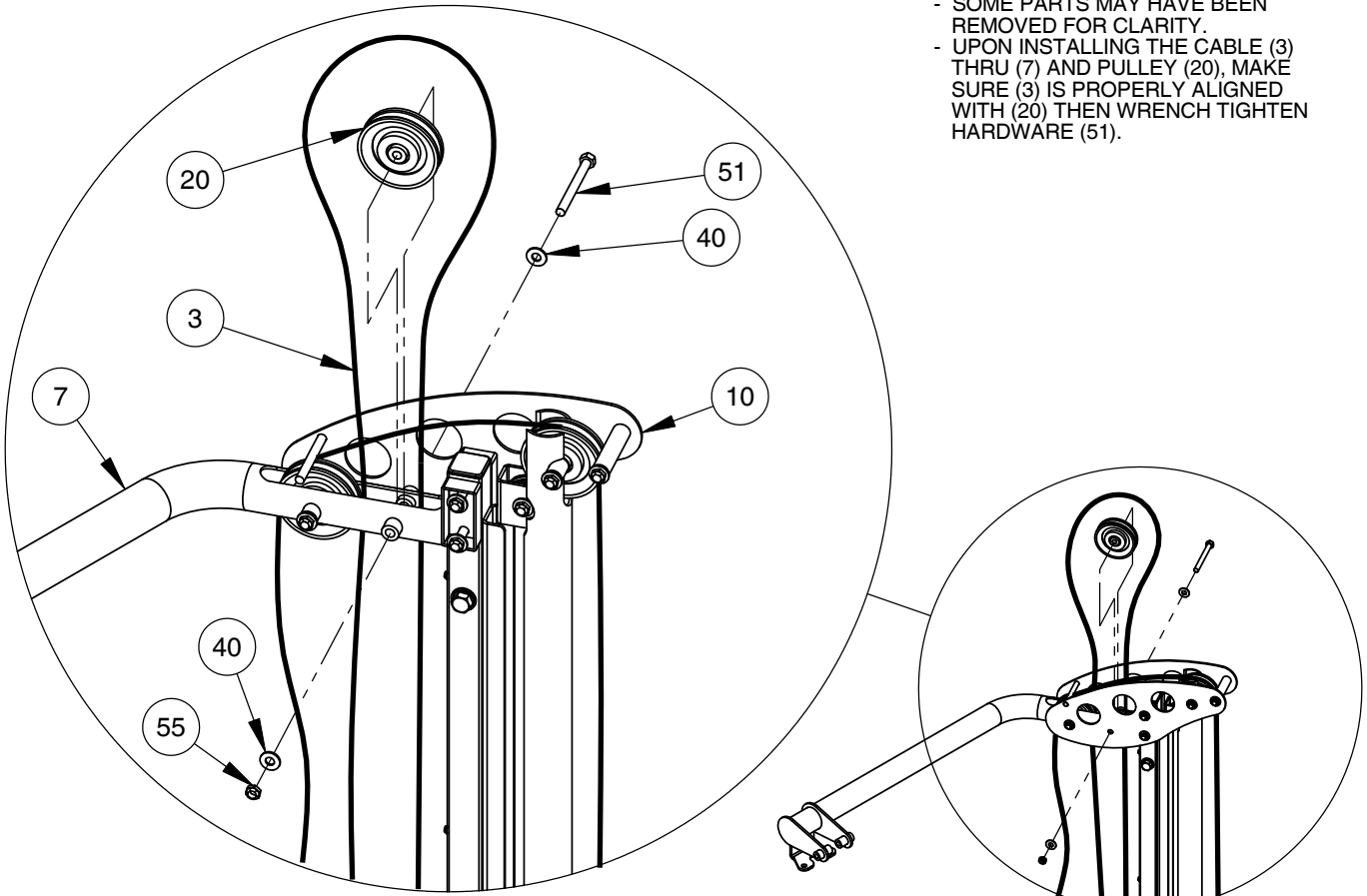


OWNER'S MANUAL

FRAME ASSEMBLY

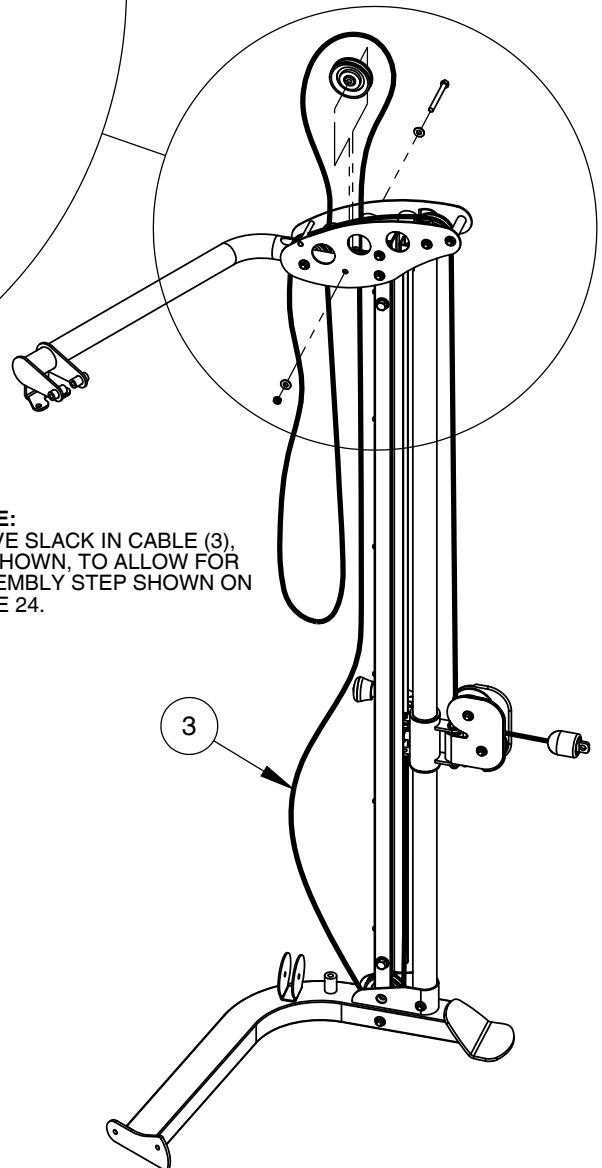
NOTE:

- SOME PARTS MAY HAVE BEEN REMOVED FOR CLARITY.
- UPON INSTALLING THE CABLE (3) THRU (7) AND PULLEY (20), MAKE SURE (3) IS PROPERLY ALIGNED WITH (20) THEN WRENCH TIGHTEN HARDWARE (51).



NOTE:

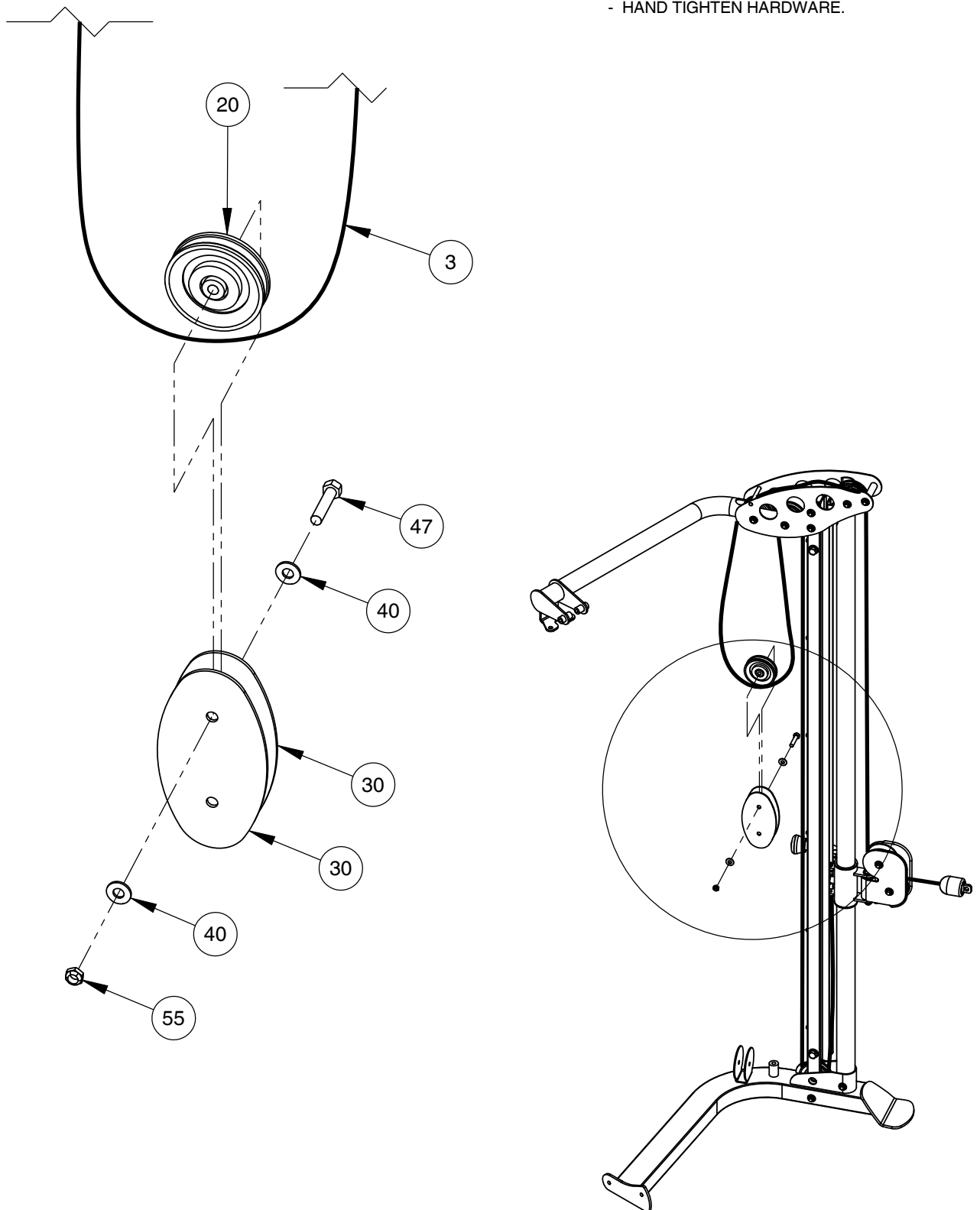
LEAVE SLACK IN CABLE (3), AS SHOWN, TO ALLOW FOR ASSEMBLY STEP SHOWN ON PAGE 24.



OWNER'S MANUAL

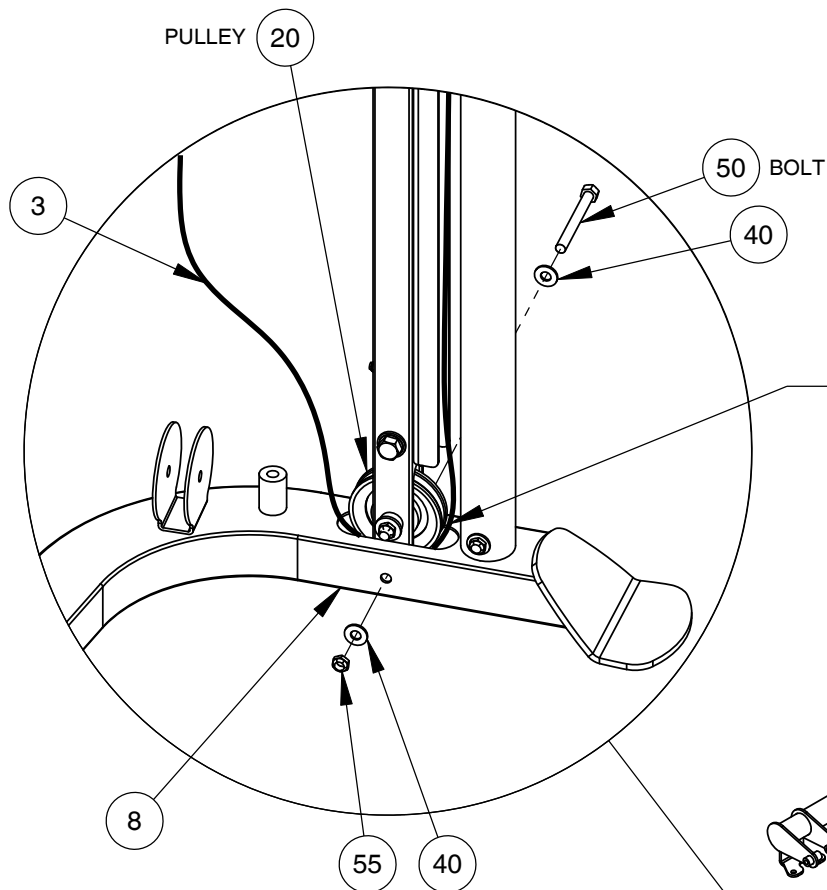
FRAME ASSEMBLY

NOTE:
- SOME PARTS MAY HAVE BEEN
REMOVED FOR CLARITY.
- HAND TIGHTEN HARDWARE.



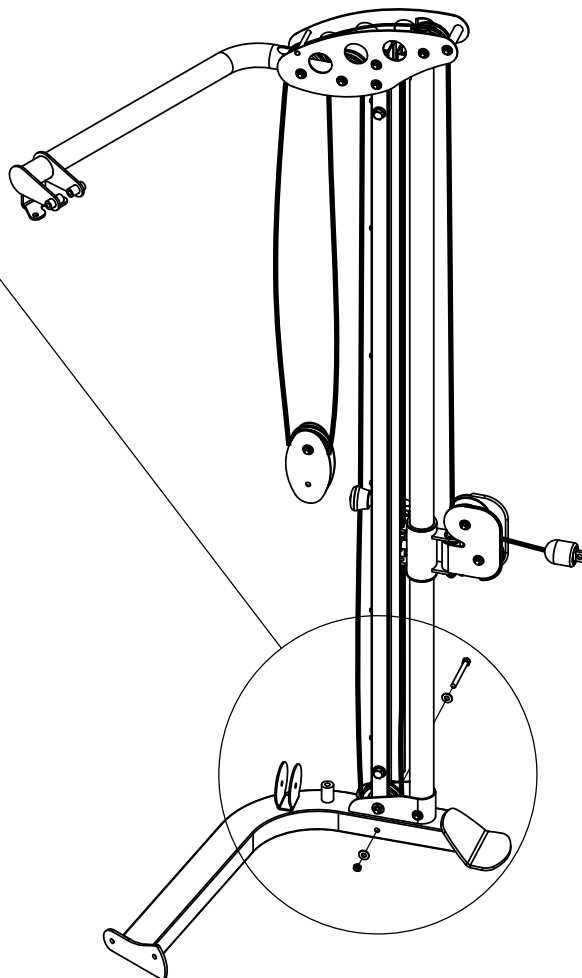
OWNER'S MANUAL

FRAME ASSEMBLY



NOTE:
- SOME PARTS MAY HAVE BEEN REMOVED FOR CLARITY.
- FEED CABLE (3) BETWEEN PULLEY (20) & BOLT (50).
- MAKE SURE (3) IS PROPERLY ALIGNED WITH (20).

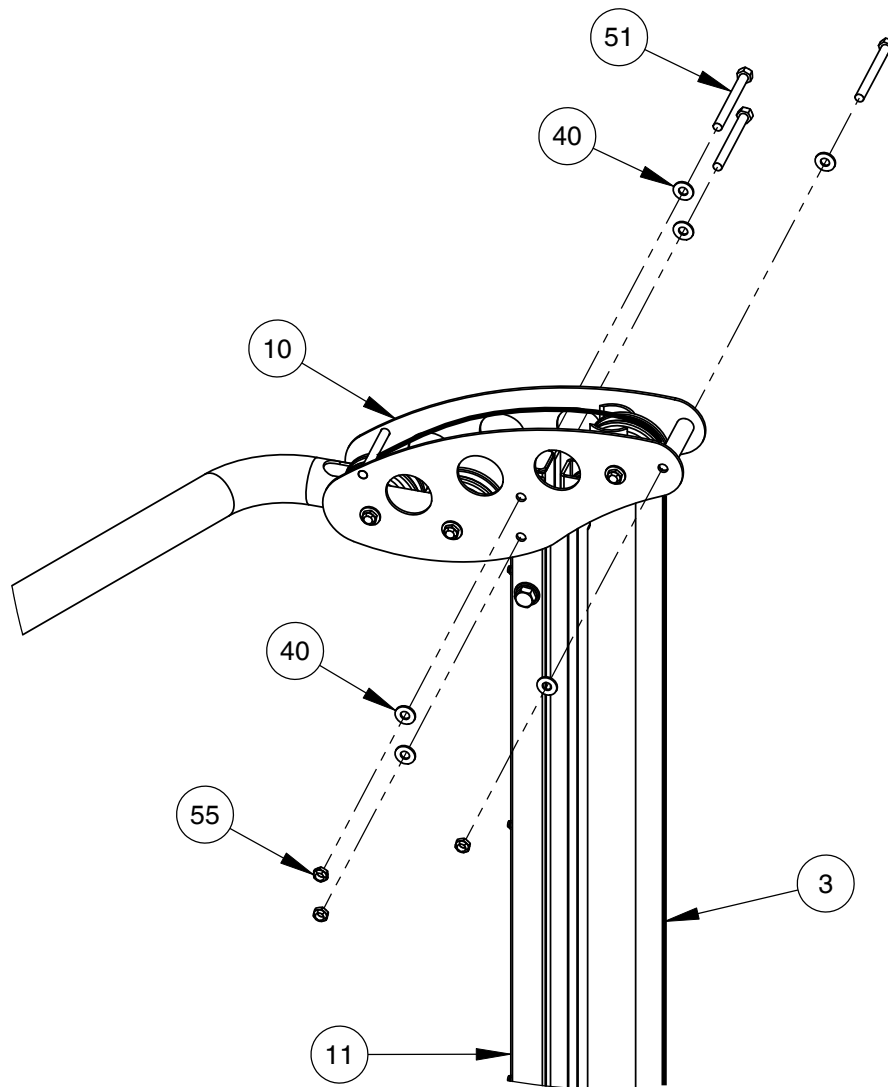
BE SURE TO POSITION CABLE (3) BETWEEN PULLEY (20) AND BOLT (50) AS SHOWN



OWNER'S MANUAL

FRAME ASSEMBLY

- NOTE:
- SOME PARTS MAY HAVE BEEN
REMOVED FOR CLARITY.
- WRENCH TIGHTEN HARDWARE.



OWNER'S MANUAL

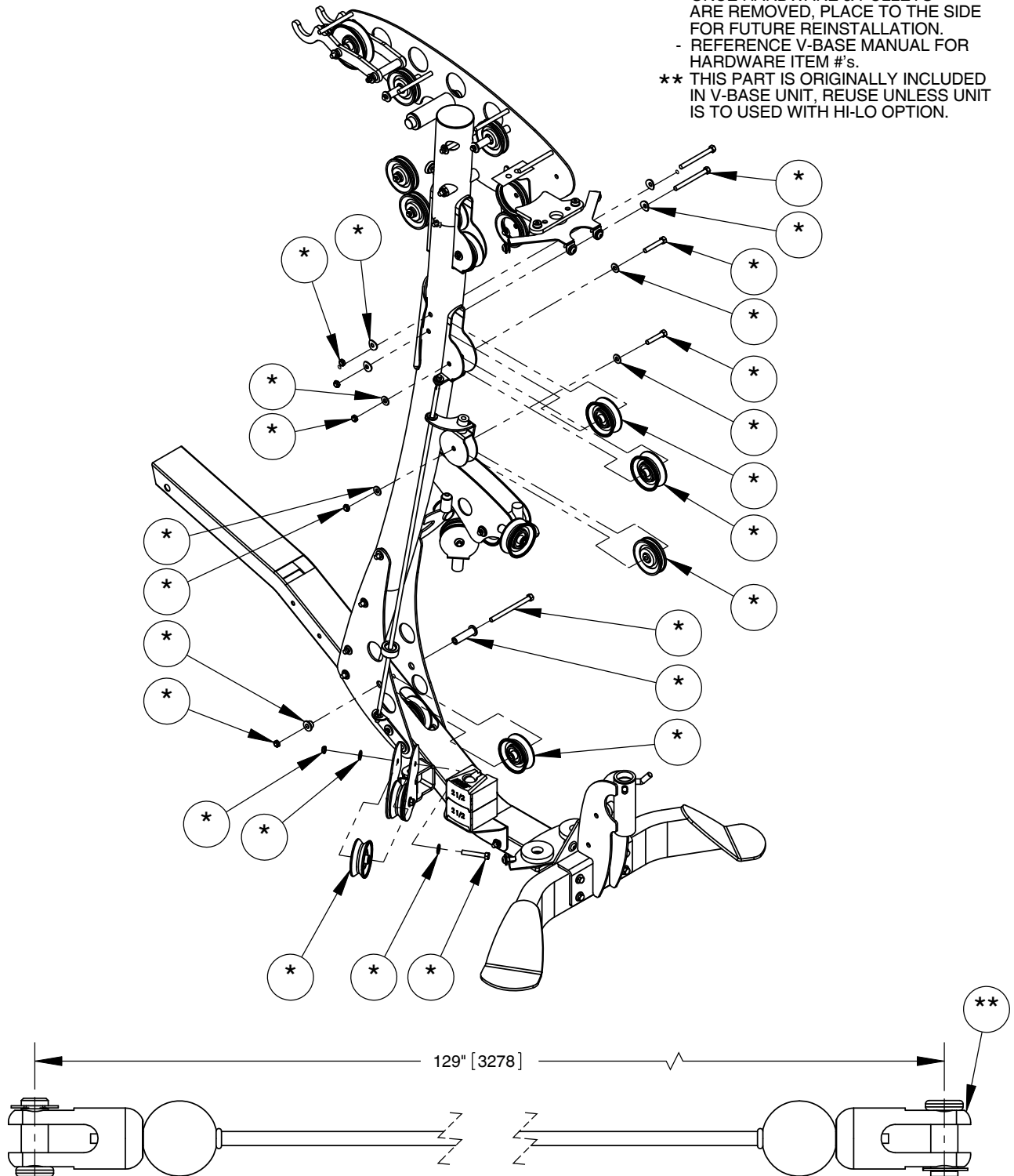
FRAME ASSEMBLY

NOTE:

- SOME PARTS MAY HAVE BEEN REMOVED FOR CLARITY.
- DIS-ASSEMBLE AS SHOWN TO REMOVE CABLE ASSY.

- * ITEMS INCLUDED IN V-BASE UNIT.
- ONCE HARDWARE & PULLEYS ARE REMOVED, PLACE TO THE SIDE FOR FUTURE REINSTALLATION.
- REFERENCE V-BASE MANUAL FOR HARDWARE ITEM #'s.

- ** THIS PART IS ORIGINALLY INCLUDED IN V-BASE UNIT, REUSE UNLESS UNIT IS TO USED WITH HI-LO OPTION.



OWNER'S MANUAL

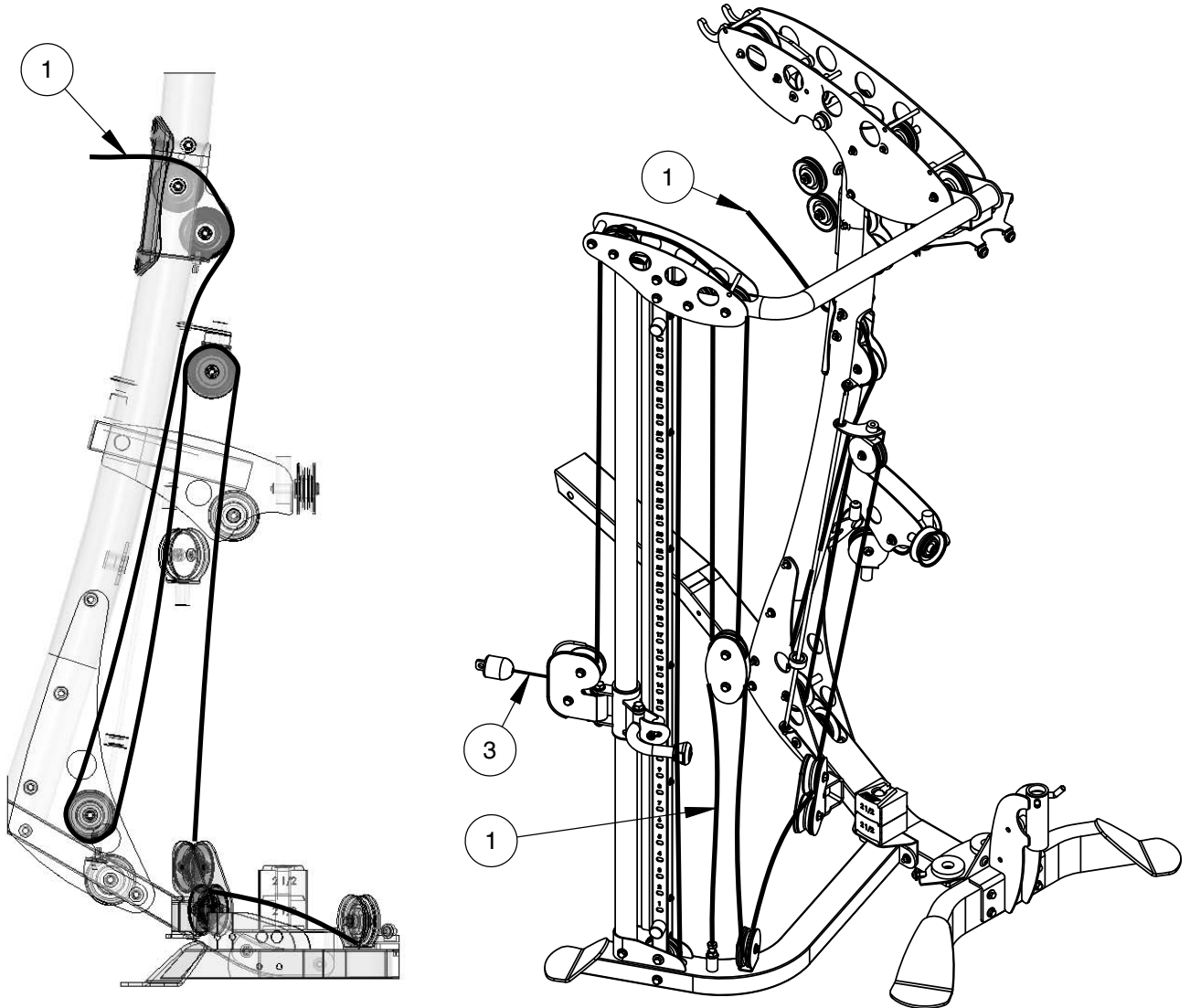
THIS PAGE WAS INTENTIONALLY LEFT BLANK

OWNER'S MANUAL

FRAME ASSEMBLY

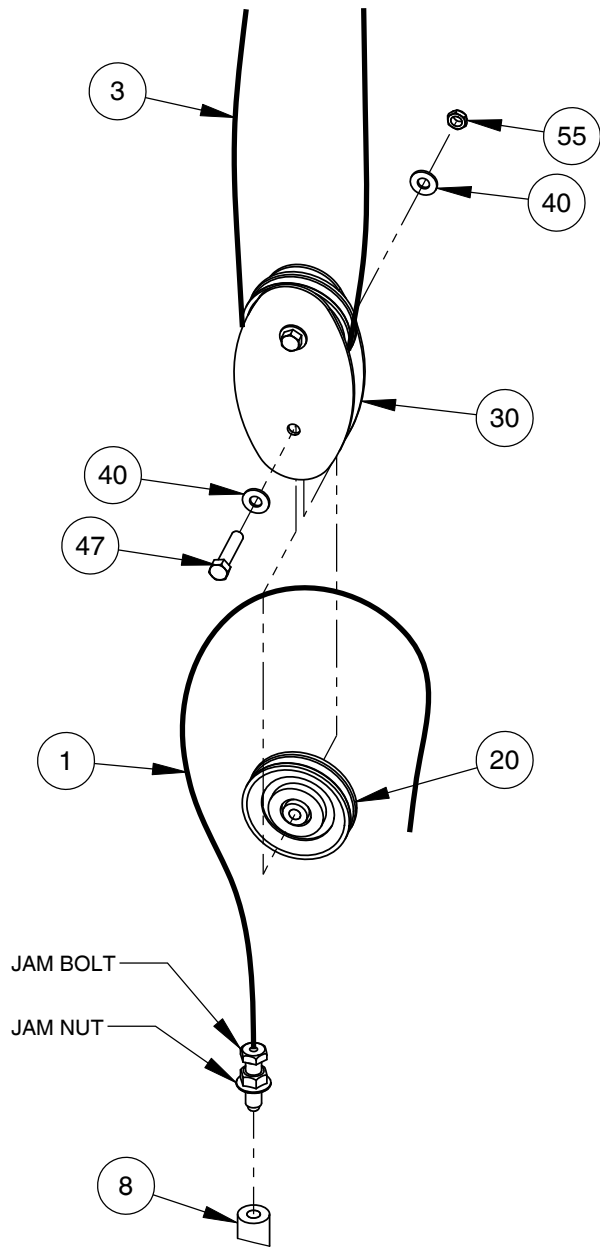
NOTE:
- SOME PARTS MAY HAVE BEEN
REMOVED FOR CLARITY.

CABLING PROFILE VIEW



OWNER'S MANUAL

FRAME ASSEMBLY



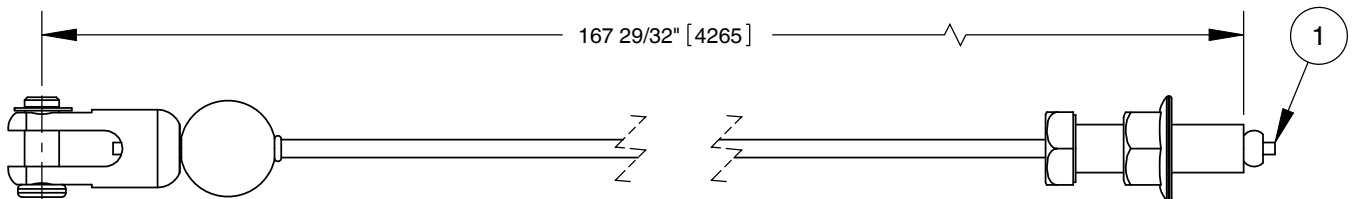
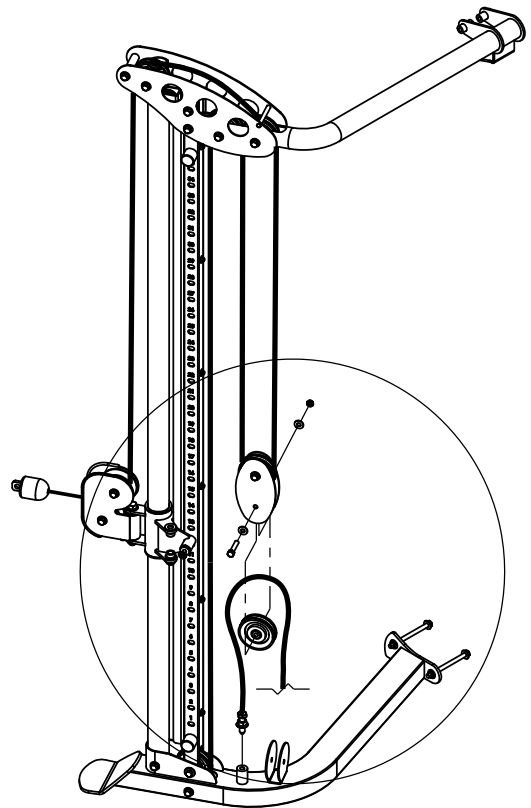
NOTE:

- SOME PARTS MAY HAVE BEEN REMOVED FOR CLARITY.
- WRENCH TIGHTEN CABLE ASSY (1) TO SECURE ONTO (8).
- INSTALL CABLE AND PULLEYS AT THE SAME TIME.
- WRENCH TIGHTEN HARDWARE.

FINE TUNING:

LOOSEN JAM NUT AND THREAD BOLT IN/OUT TO GIVE THE CABLE PROPER TENSION. RE-TIGHTEN JAM NUT.

WARNING - CABLE BOLT MUST BE THREADED A MINIMUM OF 3/8" WITH JAM NUT TIGHTENED SECURELY TO ENSURE PROPER CONNECTION.

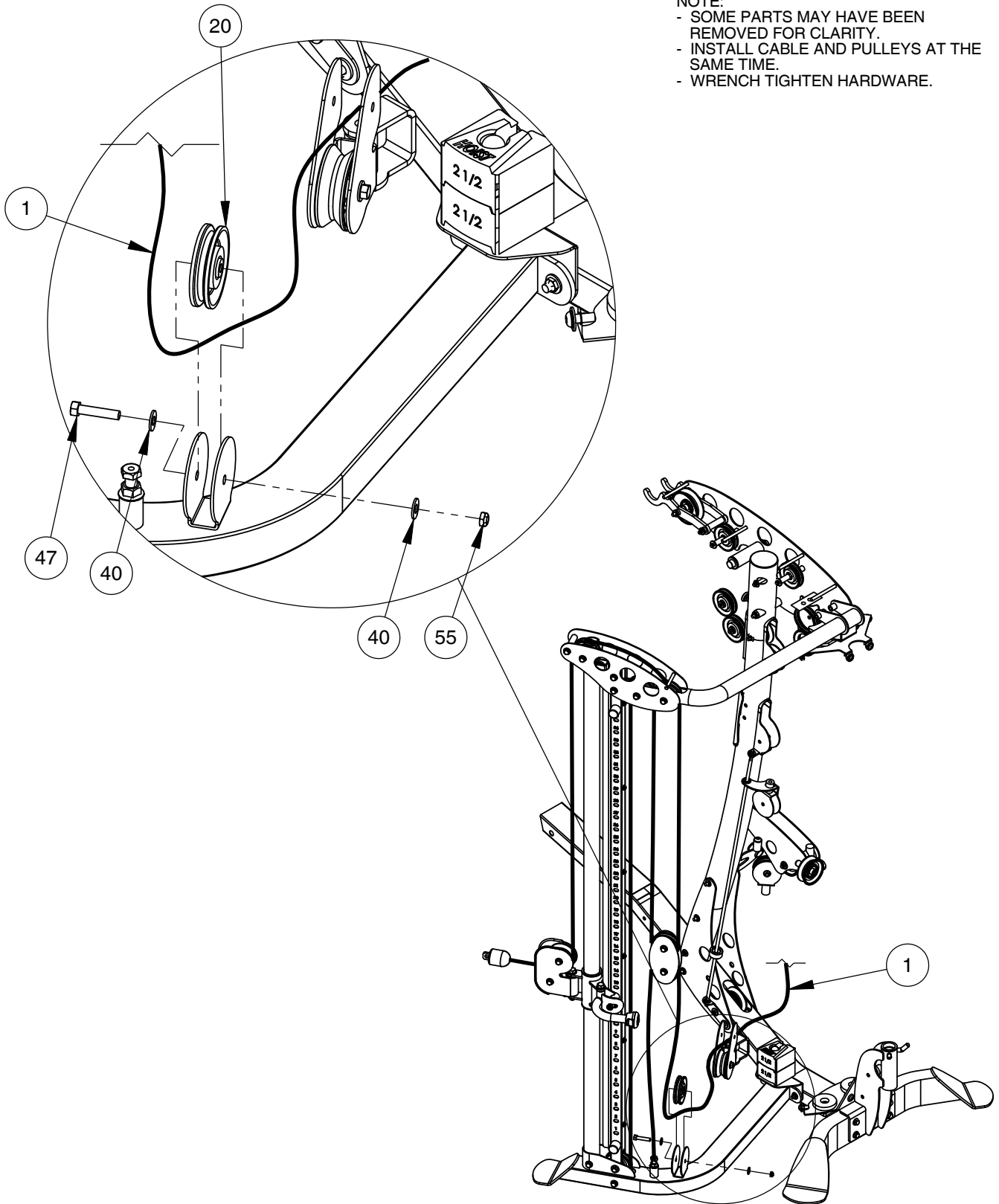


OWNER'S MANUAL

FRAME ASSEMBLY

NOTE:

- SOME PARTS MAY HAVE BEEN REMOVED FOR CLARITY.
- INSTALL CABLE AND PULLEYS AT THE SAME TIME.
- WRENCH TIGHTEN HARDWARE.

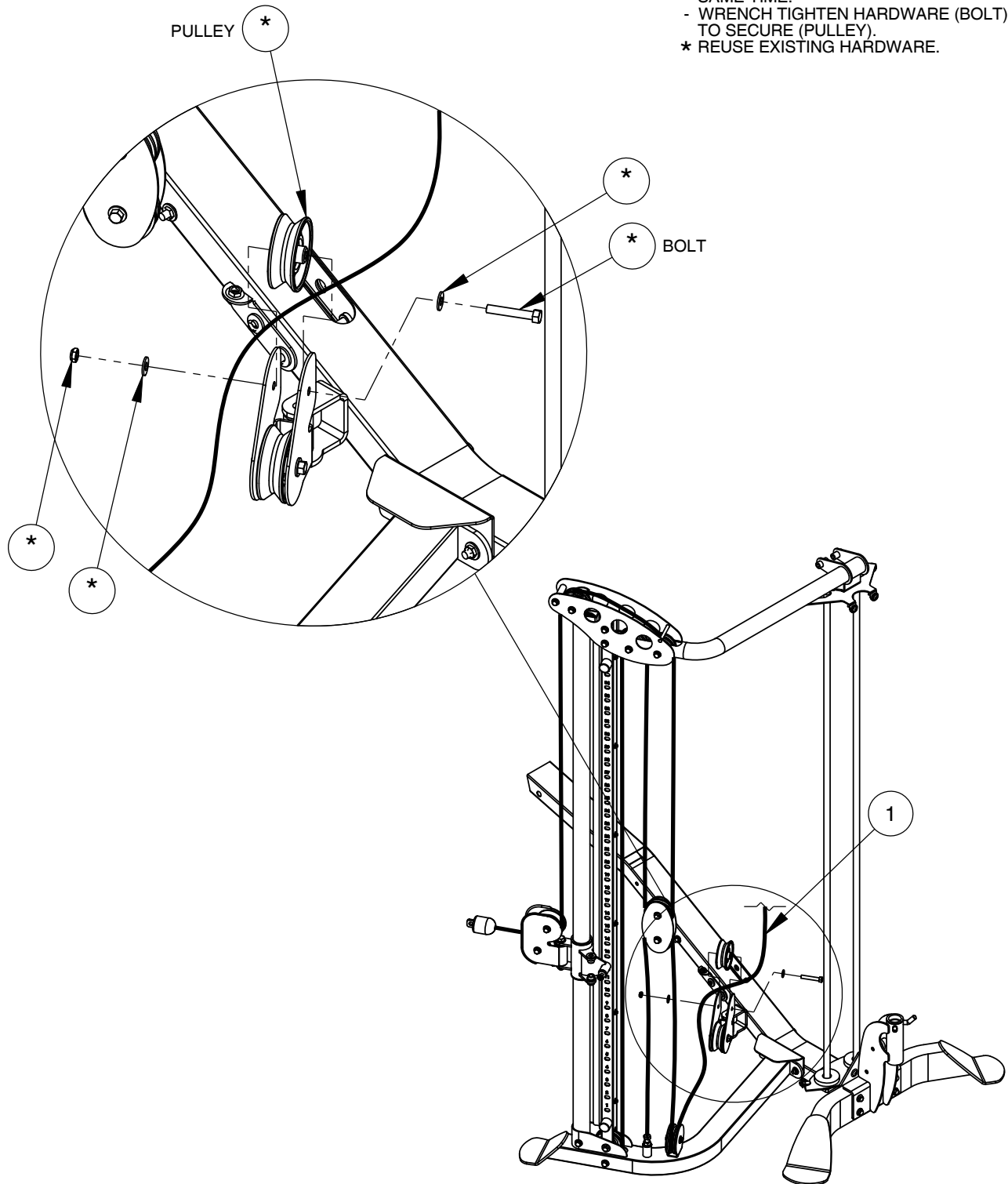


OWNER'S MANUAL

FRAME ASSEMBLY

NOTE:

- SOME PARTS MAY HAVE BEEN REMOVED FOR CLARITY.
- INSTALL CABLE AND PULLEYS AT THE SAME TIME.
- WRENCH TIGHTEN HARDWARE (BOLT) TO SECURE (PULLEY).
- * REUSE EXISTING HARDWARE.

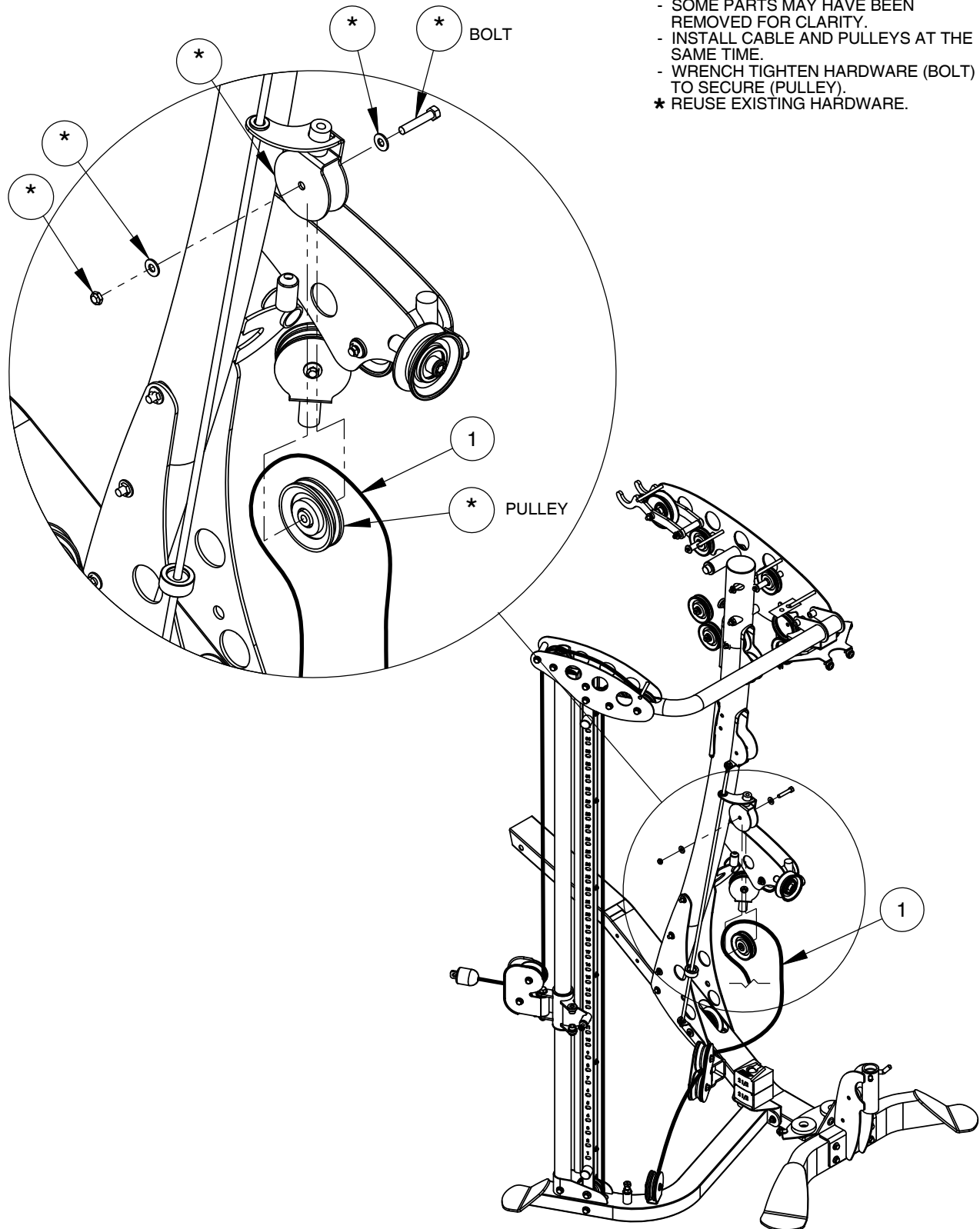


OWNER'S MANUAL

FRAME ASSEMBLY

NOTE:

- SOME PARTS MAY HAVE BEEN REMOVED FOR CLARITY.
- INSTALL CABLE AND PULLEYS AT THE SAME TIME.
- WRENCH TIGHTEN HARDWARE (BOLT) TO SECURE (PULLEY).
- * REUSE EXISTING HARDWARE.

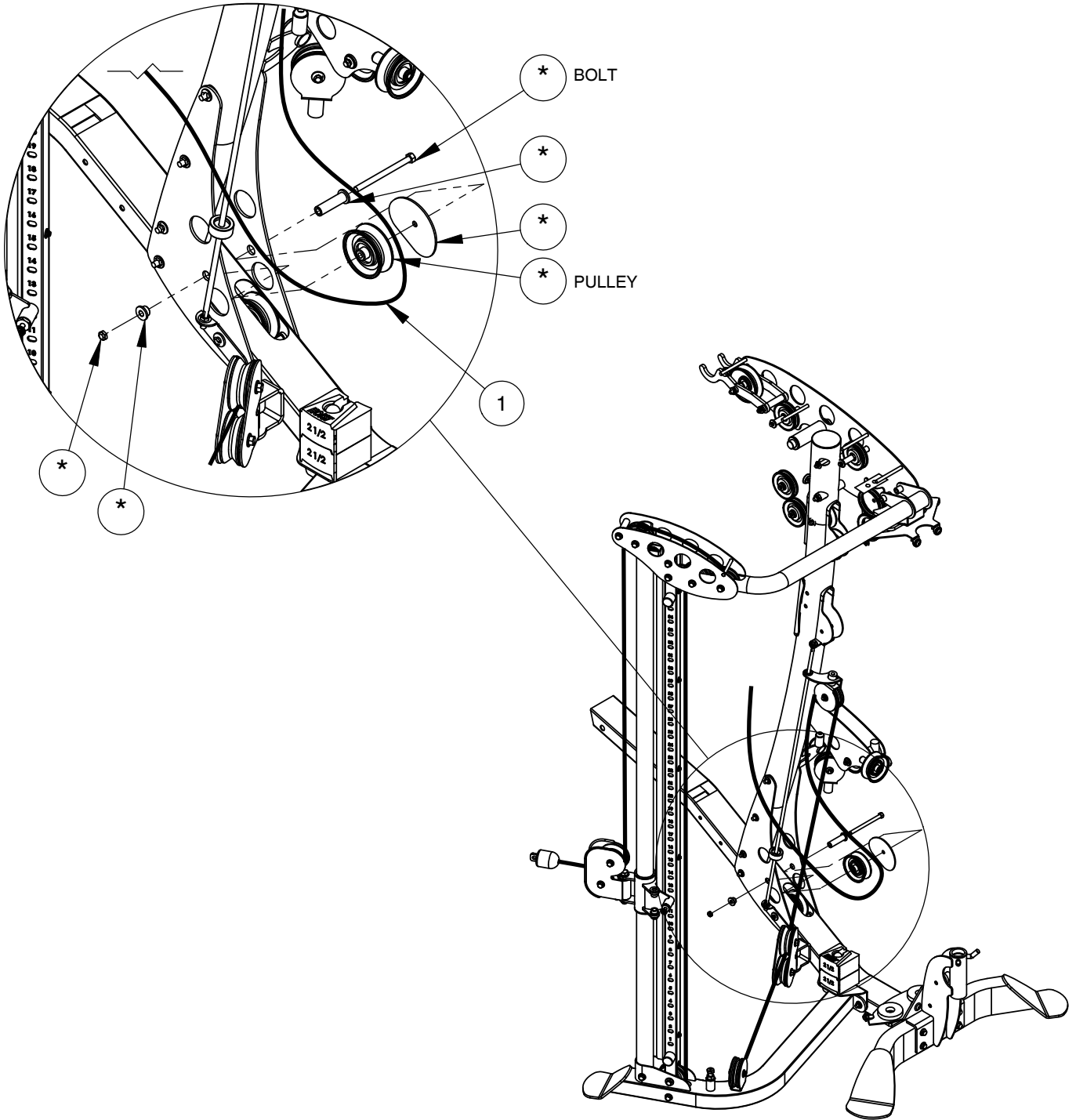


OWNER'S MANUAL

FRAME ASSEMBLY

NOTE:

- SOME PARTS MAY HAVE BEEN REMOVED FOR CLARITY.
- INSTALL CABLE AND PULLEYS AT THE SAME TIME.
- WRENCH TIGHTEN HARDWARE (BOLT) TO SECURE (PULLEY).
- * REUSE EXISTING HARDWARE.

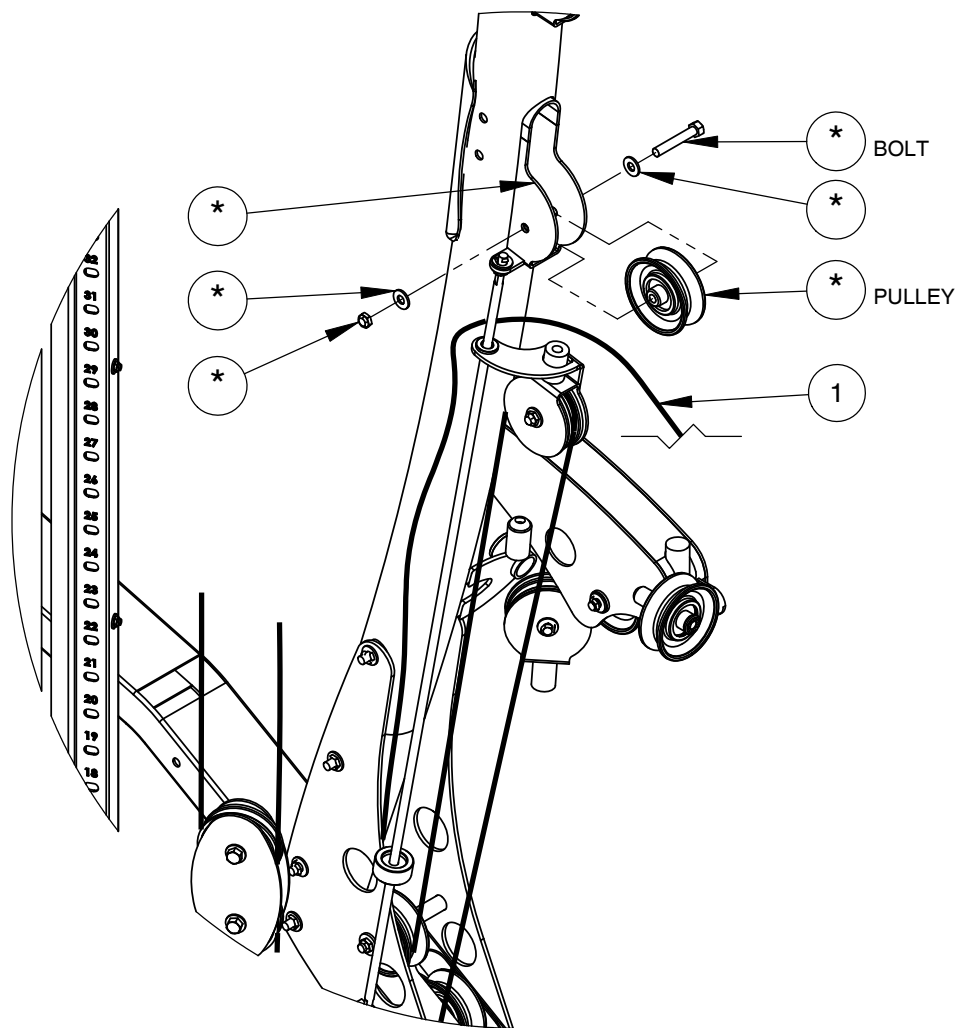


OWNER'S MANUAL

FRAME ASSEMBLY

NOTE:

- SOME PARTS MAY HAVE BEEN REMOVED FOR CLARITY.
- INSTALL CABLE AND PULLEYS AT THE SAME TIME.
- WRENCH TIGHTEN HARDWARE (BOLT) TO SECURE (PULLEY).
- * REUSE EXISTING HARDWARE.

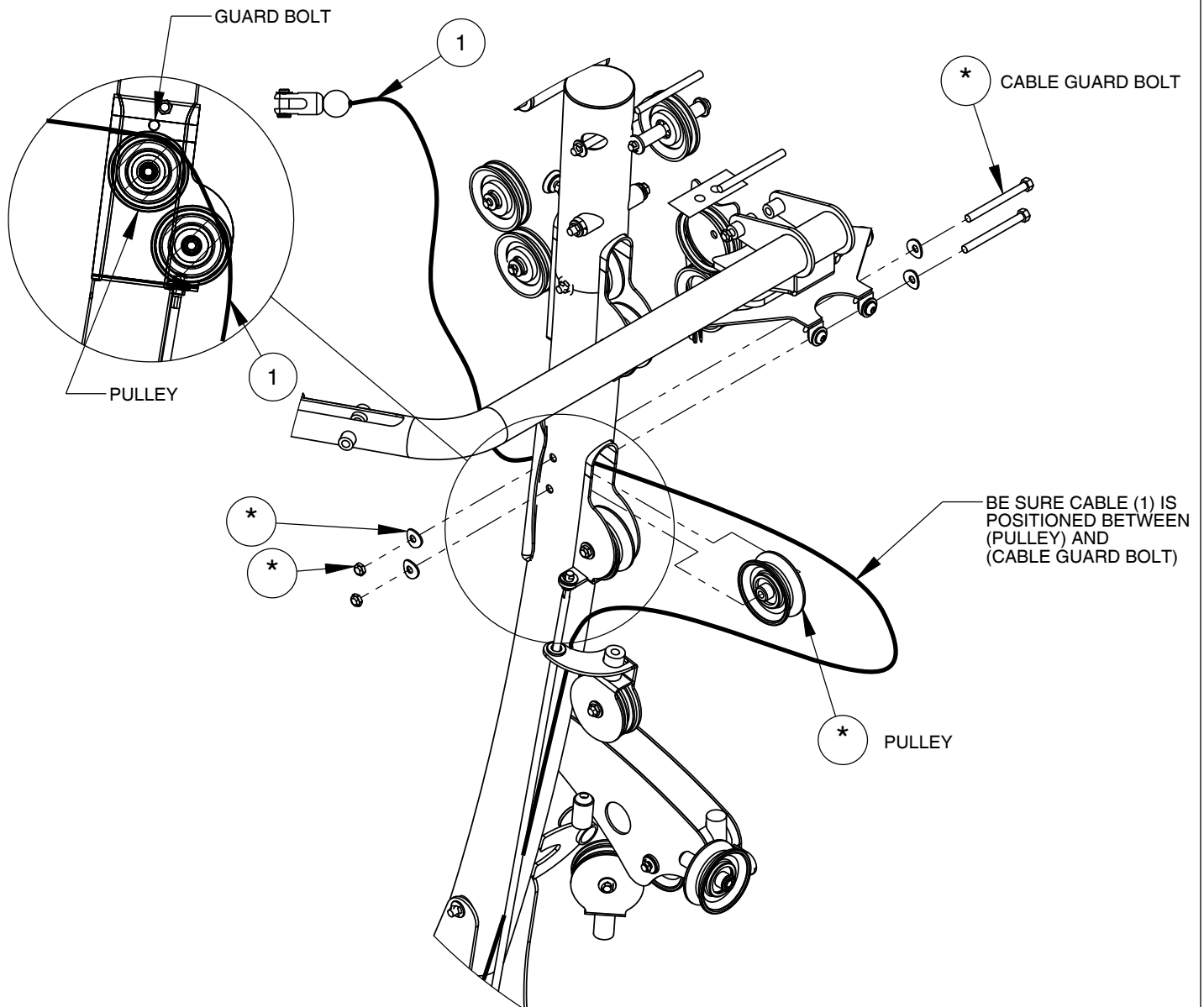


OWNER'S MANUAL

FRAME ASSEMBLY

NOTE:

- SOME PARTS MAY HAVE BEEN REMOVED FOR CLARITY.
- INSTALL CABLE AND PULLEYS AT THE SAME TIME.
- WRENCH TIGHTEN HARDWARE (BOLT) TO SECURE (PULLEY).
- * REUSE EXISTING HARDWARE.
- WRENCH TIGHTEN ALL PREVIOUSLY HAND TIGHTENED HARDWARE.



IMPORTANT

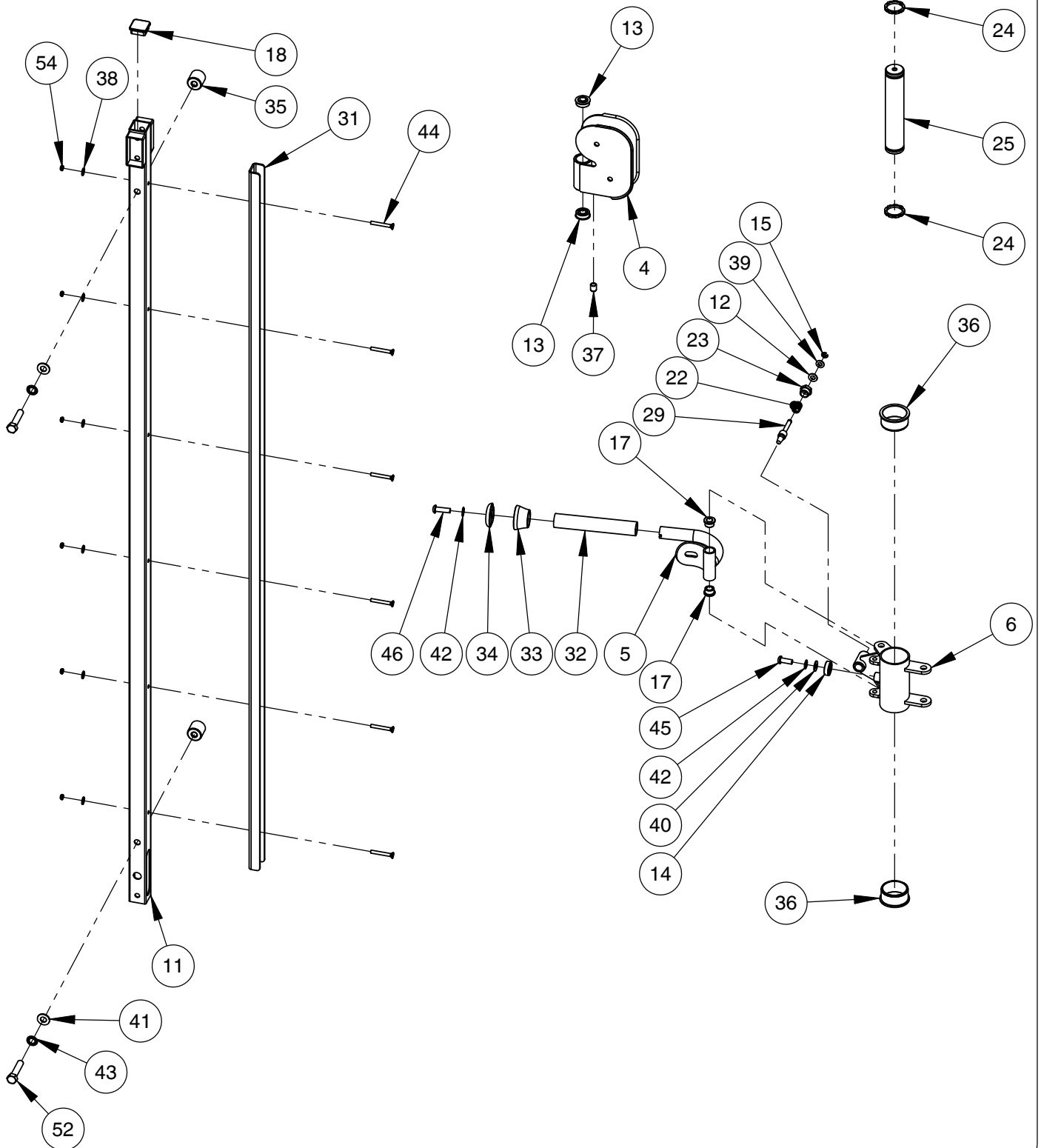
NOW THAT THE V HI-LO OPTION IS COMPLETELY ASSEMBLED TAKE TIME TO ASSURE THAT YOUR UNIT IS ASSEMBLED SQUARE AND PERPENDICULAR. IF NOT, IT WILL BE NECESSARY TO LOOSEN SOME FRAME HARDWARE TO RE-ALIGN THE FRAME AND RETIGHTEN BOLTS.

OWNER'S MANUAL

*****THIS PAGE WAS INTENTIONALLY LEFT BLANK*****

OWNER'S MANUAL

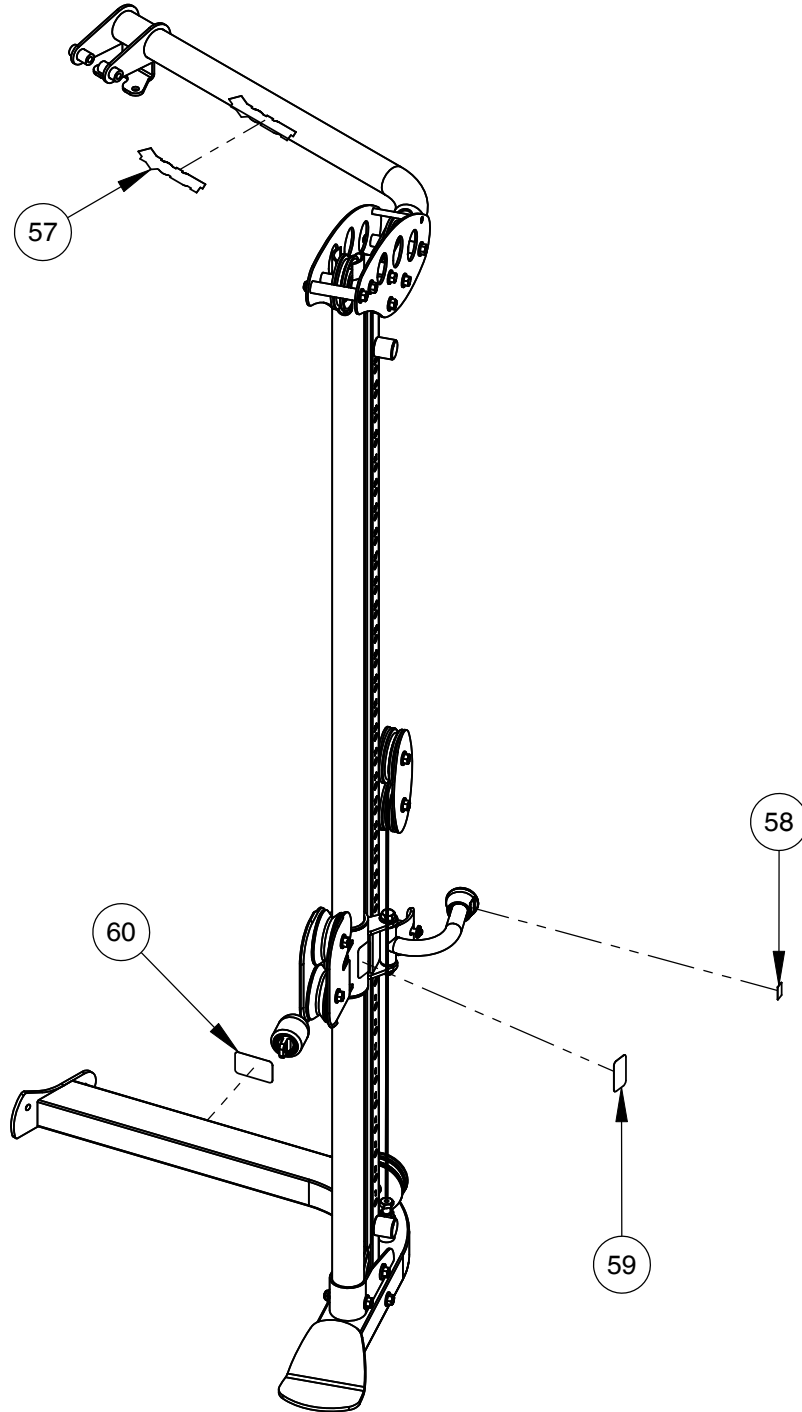
PRE-ASSEMBLY



OWNER'S MANUAL

DECAL PLACEMENT

NOTE:
- ALL DECALS ARE CENTERED
UNLESS OTHERWISE STATED.
- SOME PARTS MAY HAVE BEEN
REMOVED FOR CLARITY.



OWNER'S MANUAL

DECAL REFERENCE



021-0003680



021-0003426



SERIAL # DECAL



021-0003230

OWNER'S MANUAL

PART LIST

NOTE: SOME OF THESE PARTS MAY COME PRE-INSTALLED

ITEM NO.	PART NUMBER	DESCRIPTION	QTY
1	010-01C0378	CABLE ASSEMBLY: V HI-LO AB 167.91" LG.	1
2	010-01C0379A	CABLE ASSEMBLY: V HI-LO COUNTER WEIGHT 74.75" LG.	1
3	010-01C0380	CABLE ASSEMBLY: V HI-LO SWIVEL 311.30" LG.	1
4	026-01X5019	SWIVEL PULLEY HOUSING ASSEMBLY	1
5	026-01X5067	ADJUST LEVER ASSEMBLY	1
6	026-01X5069	HI-LO ADJUSTER ASSEMBLY	1
7	026-01X5082	HI-LO TOP MOUNT ASSEMBLY	1
8	026-01X5087	BASE ASSEMBLY	1
9	026-01X5091	GUIDE TUBE ASSEMBLY	1
10	026-01X5093	TOP HEAD ASSEMBLY	1
11	026-01X5102	ADJUSTER TUBE ASSEMBLY	1
12	013-0602002	3/8" FLAT NYLON WASHER	1
13	014-0003003	BEARING: FLANGED BALL BEARING ϕ .50" I.D.	2
14	014-0012012	BEARING: BALL BEARING, ϕ .39" I.D.	1
15	014-0015026	E-CLIP .31"	1
16	015-0003006	RUBBER O-RING: 5/16" ID X 1/2" OD	2
17	014-0101002	BUSHING: OILITE FLANGED ϕ .75 O.D X ϕ .50 I.D X .38 LG.	2
18	016-0201004	END CAP 1.50" X 1.50" (BLACK)	1
19	018-0001001	PULLEY: 2" BLACK W/ CONV. GRADE BEARINGS	1
20	018-0001002	CABLE PULLEY: ϕ 3.50"	7
21	018-0002015	CABLE PULLEY: WIDE (BORED HUB) ϕ 3.50"	2
22	020-0011009	SPRING	1
23	026-01M0128-1	PULL PIN CAP	1
24	026-01M2343	COUNTER WIEGHT RING	2
25	026-01M2536	COUNTERWEIGHT (4.35 LB)	1
26	026-01M2555	HEAVY FLANGED SHOULDERED SPACER .86"OD X .39"ID	2
27	026-01M2561	QUICK RELEASE CABLE LOCK ϕ .34" ID	1
28	026-01M2562A	QUICK RELEASE CABLE LOCK - 1/8" CABLE	1
29	026-01M2564-3	PULL PIN: SHORT TAPERED END	1
30	026-01P1439	DUAL PULLEY SHIELD	2
31	026-01P6125	CHANNEL: 1.00" X 1.47" X 72.00" LG.	1
32	026-01PL0206-27	GRIP OPEN END ϕ 1.00" ID X 7.00" LG.	1
33	026-01PL2154	PLASTIC KNOB: BASE ϕ 1.00" ID	1
34	026-01PL2155	PLASTIC KNOB: CAP ϕ 1.00" ID	1
35	026-01PL2417	PLASTIC STOP: ϕ 1.25" OD X 1.25" LG.	2

OWNER'S MANUAL

PART LIST CONTINUED

NOTE: SOME OF THESE PARTS MAY COME PRE-INSTALLED

ITEM NO.	PART NUMBER	DESCRIPTION	QTY
36	026-01PL2418	BUSHING: FLANGED 2.28" OD X 2.03" ID X 1.00" LG.	2
37	026-01PL2427	VINYL SLEEVE ϕ .50" OD X .38" ID	1
38	013-0002003	1/4" X 16mm SAE FLAT WASHER (WZ)	6
39	013-0302008	5/16" SAE FLAT WASHER (WZ)	1
40	013-0402007	3/8" X 22mm FLAT WASHER (WZ)	29
41	013-0102003	1/2" X 27mm SAE FLAT WASHER (WZ)	6
42	013-0102022	3/8" INTERNAL LOCK WASHER	2
43	013-0302014	1/2" INTERNAL LOCK WASHER	2
44	011-0102064	1/4"-20UNC x 2.00" FHB (WZ)	6
45	011-0101026	3/8"-16UNC X 1.00" BHCS (WZ)	1
46	011-0101034	3/8"-16UNC X 1.25" BHCS (WZ)	1
47	011-0407027	3/8"-16UNC X 1.75" HHB (WZ)	4
48	011-0107026	3/8"-16UNC X 2.25" HHB (WZ)	2
49	011-0407026	3/8"-16UNC X 3.00" HHB (WZ)	1
50	011-0107051	3/8"-16UNC X 3.50" HHB (WZ)	1
51	011-0107018	3/8"-16UNC X 3.75" HHB (WZ)	6
52	011-0407043	1/2"-13UNC X 2.25" HHB (WZ)	2
53	011-0107038	1/2"-13UNC X 4.25" HHB (WZ)	2
54	012-0104009	1/4"-20 UNC THIN NYLOCK NUT (WZ)	6
55	012-0104008	3/8"-16 UNC THIN NYLOCK NUT (WZ)	15
56	012-0304011	1/2"-13 UNC THIN NYLOCK NUT (WZ)	2
57	021-0003230	DECAL HOIST 1.63" X 5.93"	1
58	021-0003426	DECAL PULL	1
59	021-0003680	DECAL DO NOT USE HANDLE AS STEP	1
60	SERIAL # DECAL	DECAL HOIST SERIAL # 1.63" X 2.63"	1
61	011-0007050	3/8"-16UNC X 2.75" HHB (WZ)	1
62	020-0014033	ADJUSTER TUBE LUBRICATION KIT	1

OWNER'S MANUAL

*****THIS PAGE WAS INTENTIONALLY LEFT BLANK*****

OWNER'S MANUAL

ABBREVIATIONS

BZ = Black Zinc

WZ = White Zinc

HHB = Hex Head Bolt

FHCS = Flat Head Cap Screw

BHCS = Button Head Cap Screw

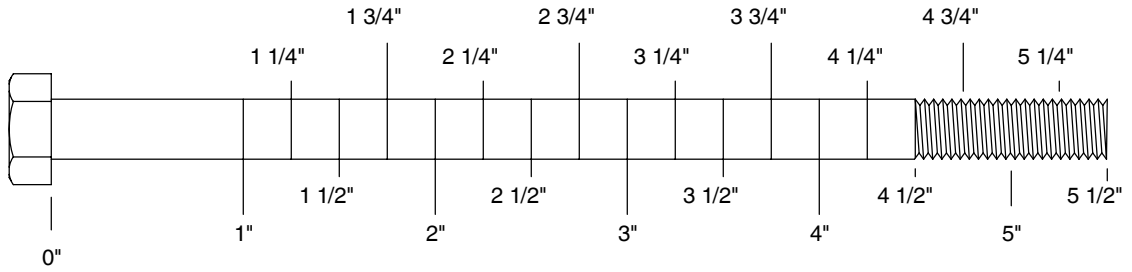
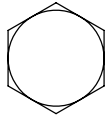
SHCS = Socket Head Cap Screw

SHSS = Socket Head Shoulder Screw

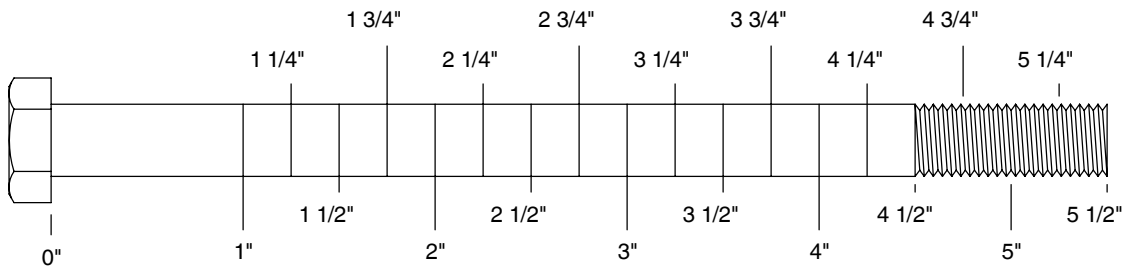
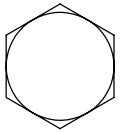
OWNER'S MANUAL

BOLT SIZING CHART

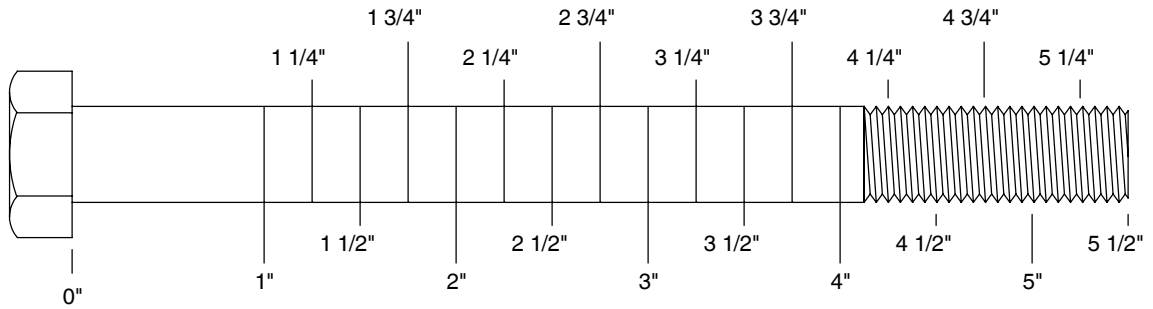
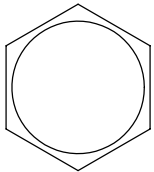
5/16" HHB



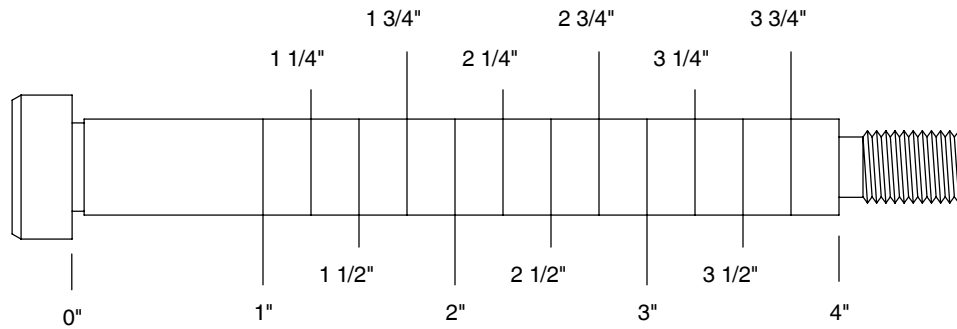
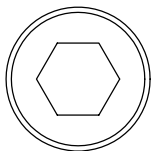
3/8" HHB



1/2" HHB

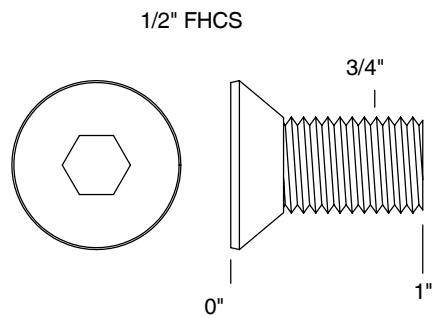
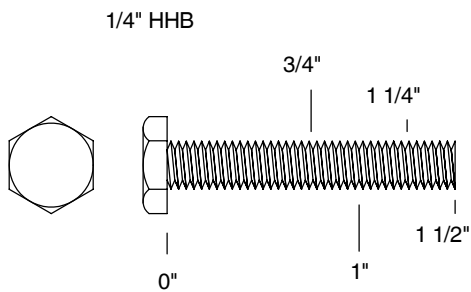
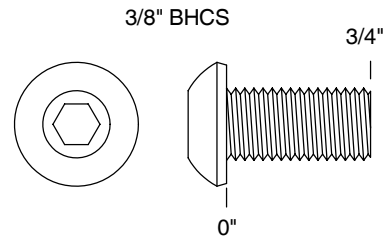
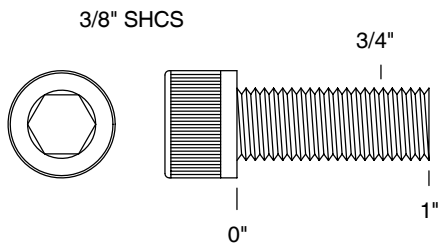
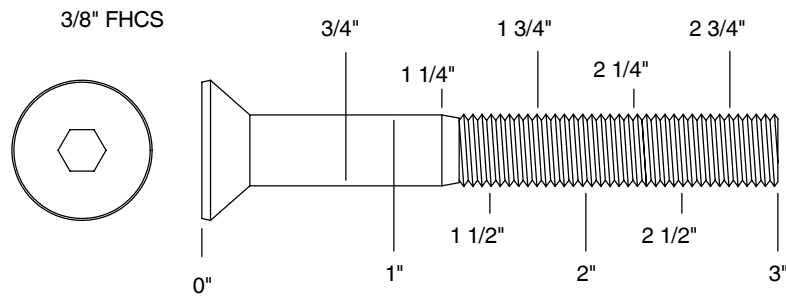


1/2" SHSS



OWNER'S MANUAL

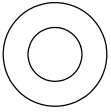
BOLT SIZING CHART (CONTINUED)



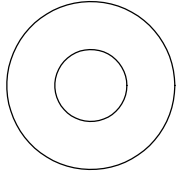
OWNER'S MANUAL

WASHER SIZING CHART

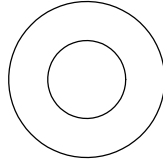
013-0002003
1/4"
FLAT WASHER
SMALL, SAE, 13mm



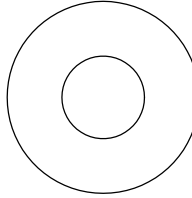
013-0102004
5/16"
FLAT WASHER
LARGE, USS, 22mm



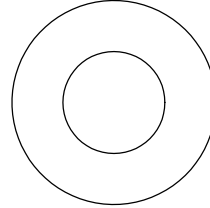
013-0002004
3/8"
FLAT WASHER
SMALL, SAE, 21mm



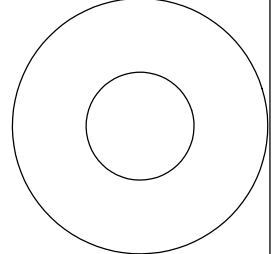
013-0402005
3/8"
FLAT WASHER
LARGE, USS, 25mm



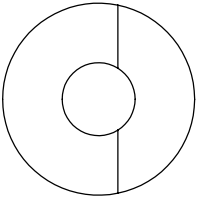
013-0102003
1/2"
FLAT WASHER
SMALL, SAE, 27mm



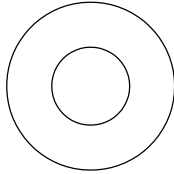
013-0102026
1/2"
FLAT WASHER
LARGE, USS, 34mm



013-0102028
3/8"
CURVED WASHER



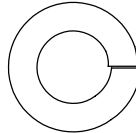
013-0402007
3/8"
FLAT WASHER
22mm O.D.



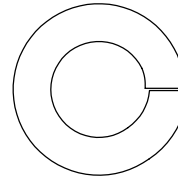
013-0102019
1/4"
LOCK WASHER



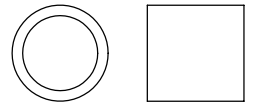
013-0102020
3/8"
LOCK WASHER



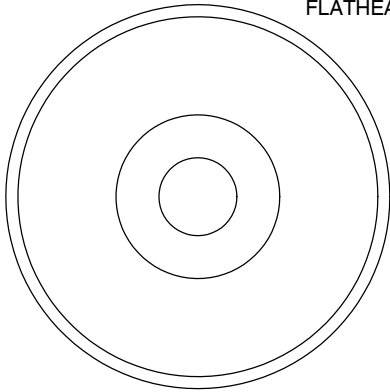
013-0102018
1/2"
LOCK WASHER



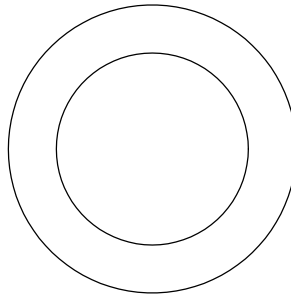
014-0018001
1/2" LONG
SPACER



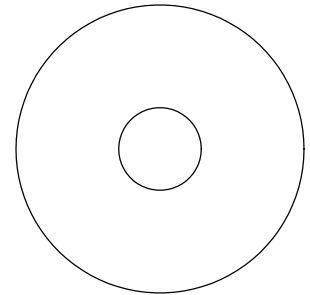
026-01M0238
2" ALUMINUM
FLATHEAD CAP



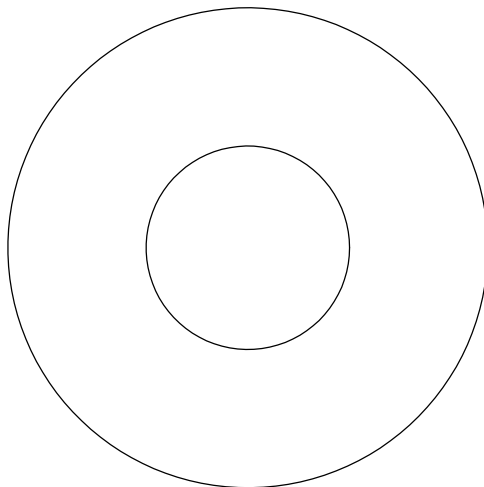
016-0009003
1" SHIM WASHER



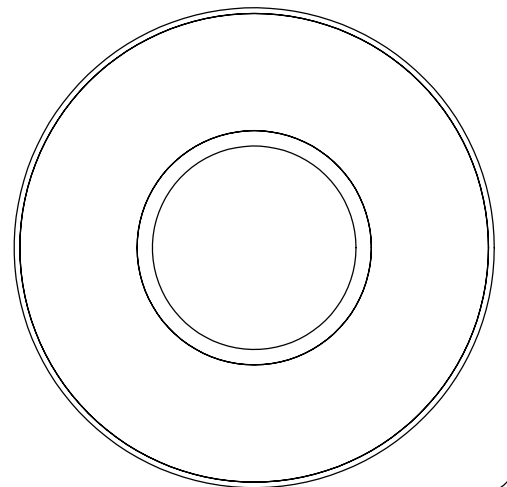
013-0003002
3/8" FENDER WASHER



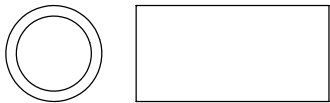
013-0003004
1 1/16"
FENDER WASHER



026-01PL151
PLASTIC 1 1/16"
FENDER WASHER



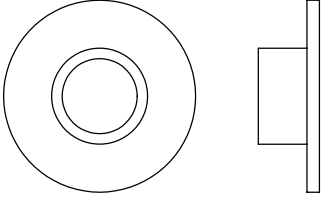
014-0018002
1" LONG
SPACER



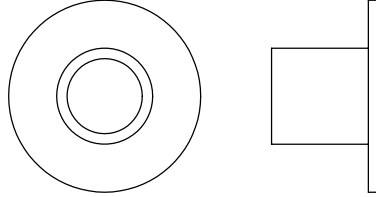
OWNER'S MANUAL

WASHER SIZING CHART (CONTINUED)

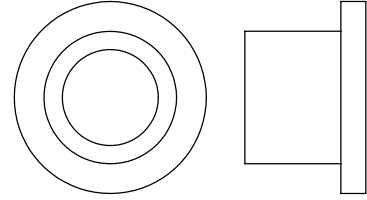
026-01M0211
1/4" LONG
FLANGED SPACER



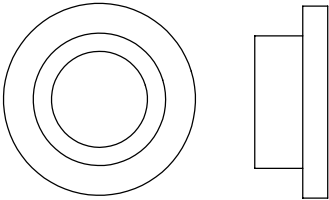
026-01M0198
1/2" LONG
FLANGED SPACER



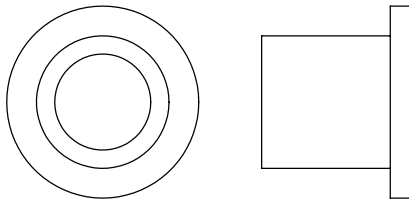
026-01M0760
1/2" LONG HEAVY
FLANGED SPACER



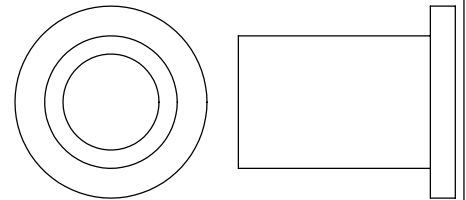
026-01M211T
1/4" LONG HEAVY
FLANGED SPACER



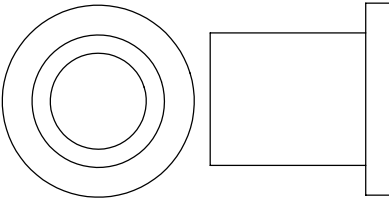
026-01M0532
11/16" LONG HEAVY
FLANGED SPACER



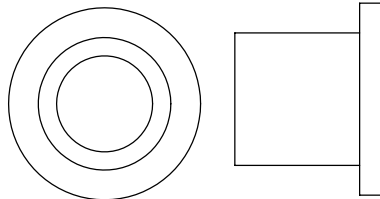
026-01M0551
1" LONG HEAVY
FLANGED SPACER



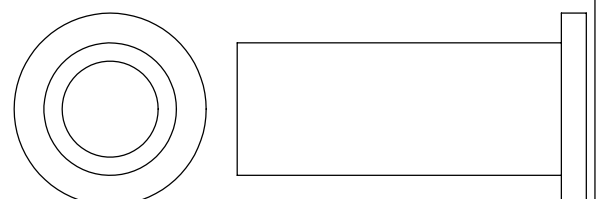
026-01M0788
.81" LONG HEAVY
FLANGED SPACER



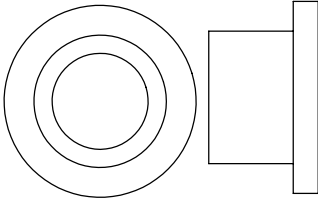
026-01M0780
.65" LONG HEAVY
FLANGED SPACER



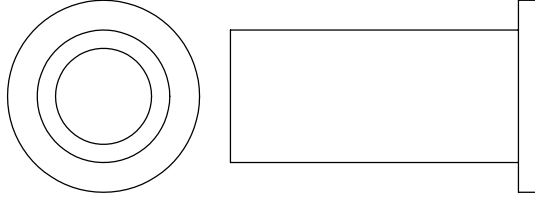
026-01M0761
1 11/16" LONG HEAVY
FLANGED SPACER



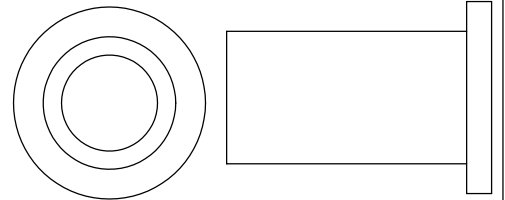
026-01M0789
.44" LONG HEAVY
FLANGED SPACER



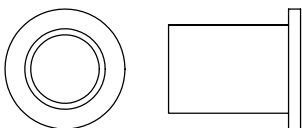
026-01M0762
1 1/2" LONG HEAVY
FLANGED SPACER



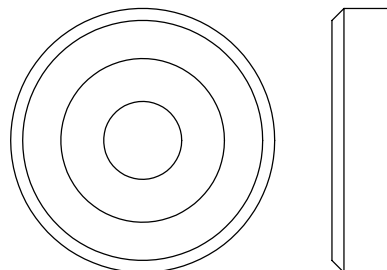
026-01M0768
1 1/4" LONG HEAVY
FLANGED SPACER



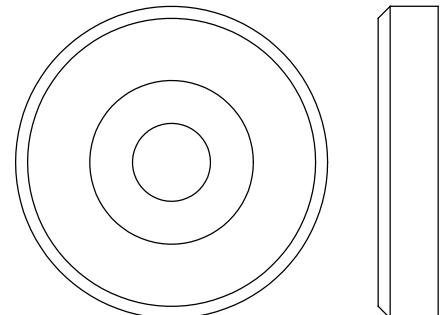
026-01M0600
.625" LONG
FLANGED SPACER



026-01M0240
1 3/8" ALUMINUM
FLATHEAD CAP



026-01M0239
1 5/8" ALUMINUM
FLATHEAD CAP



OWNER'S MANUAL

MAINTENANCE SCHEDULE

ROUTINE	COMMERCIAL MAINTENANCE	HOME MAINTENANCE	LATEST DATE ENTRY																	
Inspect; Links, Pull Pins, Snap Locks, Swivels, Weight Stack Pins	DAILY	WEEKLY																		
Clean; Upholstery	DAILY	WEEKLY																		
Inspect; Cables or Belts and their tension	DAILY	WEEKLY																		
Inspect; Accessory Bars, and Handles	WEEKLY	3 MONTHS																		
Inspect; All Decals	WEEKLY	3 MONTHS																		
Inspect; All Nuts and Bolts, Tighten if needed	WEEKLY	3 MONTHS																		
Inspect; Anti-Skid Surface	WEEKLY	3 MONTHS																		
Clean & Lubricate; Guide Rods with a Teflon (PTFE) based lubricant (Superlube)	MONTHLY	3 MONTHS																		
Lubricate; Seat Sleeves, Turcite Bushings, Linear Bearing	MONTHLY	3 MONTHS																		
Clean and Wax; All Glossy Finishes	6 MONTHS	YEARLY																		
Repack with Grease; Linear Bearings	6 MONTHS	YEARLY																		
Replace; Cables, Belts and Connecting Parts	YEARLY	3 YEARS																		

*Your equipment comes with a commercial maintenance decal.
For personal, in home use, please follow the home maintenance schedule listed above.*

OWNER'S MANUAL

HOIST FITNESS SYSTEMS **GENERAL MAINTENANCE INFORMATION**

Links, Pull-Pins, Snap Hooks, Swivels, Weight Stack Pins:

- *Check all pieces for signs of visible wear or damage.
- *Check springs in snap hooks and pull-pins for proper tension and alignment.
- *If the spring sticks or has lost its rigidity, replace it immediately.

Upholstery:

- *To ensure prolonged upholstery life and proper hygiene, all upholstered pads should be wiped down with a damp cloth after every workout.
- *Periodically take the time to use a mild soap or an approved vinyl upholstery cleaner to deter the onset of cracking or drying. Avoid using any abrasive cleaners or cleaners not intended for use on vinyl.
- *Replace ripped or worn upholstery immediately.
- *Keep sharp or pointed objects clear of all upholstery.

Decals:

- *Inspect and familiarize yourself with any safety warnings or other user information posted on each decal.

Nuts and Bolts:

- *Inspect all nuts and bolts for any loosening and tighten if needed.
- *Go through a re-tightening sequence periodically to ensure that all hardware is tensioned proper.

Anti-Skid Surfaces:

- *These surfaces are designed to supply secure footing and need to be replaced if they appear worn or become slippery.

Belts and Cables:

- *Hoist uses only high quality belt, and mil-spec cables.
- *Visually inspect the belts and cables for fraying, cracking, peeling or discoloration.
- *While the machine is not in use, carefully run your fingers along the belt or cable to feel for thinning or bulging areas.
- *Replace belts and cables immediately at the first signs of damage or wear. Do not use equipment until belts or cables have been replaced.

Belt and Cable Tension:

- *Referring to the Owners Manual, when belts or cables are used check all bolts attachments to be sure they are properly attached.
- *Check slack in cables and re-adjust cable tension if needed.

Seat Sleeves, Guide Rods:

- *Wipe down adjusting tubes with a dust free rag before applying lubricant.
- *Lubricate seat sleeves and Guide Rods with a Silicon or Teflon based lubricant spray.

Linear Bearings:

- *Referring to the Owners Manual carefully disassemble the bearing from its housing and place a finger full of light grease (lithium, super lube, etc.) into the inside of the bearing. Using your finger, press the grease into the ball-bearings and their tracks. repeat until the ball-bearing tracks are full of grease. Insert the shaft back into the bearing and wipe off excess grease.

PLEASE KEEP THIS FOR YOUR RECORDS

OWNER'S MANUAL

WEIGHT TRAINING TIPS

Use this manual to guide you through the basic exercises you can perform on your V HI-LO OPTION HOIST® Fitness System. To gain maximum results and avoid possible injury, consult a fitness professional to develop your complete exercise program.

Always consult your physician before starting any exercise program.

To be successful in your exercise program, it is important to develop an understanding of the basic principles of strength training. Now that you have your V HI-LO OPTION HOIST® Fitness System, it is only natural that you want to get started immediately. First, determine a set of realistic goals and objectives for yourself. By deciding on an exercise plan that is right for you prior to starting, you will contribute significantly to your success.

Warm up properly before engaging in weight resistance training. Stretching, yoga, jogging, calisthenics or other cardiovascular exercise can help prepare your body for the heavier workload of lifting weights.

Learn how to perform the exercise correctly before using heavy weight. Correct form is important to avoid injury and to ensure that you work the proper muscle groups.

Know your limitations. If you are new to weight training or are embarking on an exercise regimen after a long layoff, start slowly and build foundational strength over a longer period of time.

Pay attention to your breathing. Exhale when you exert is a general rule of thumb. Never hold your breath.

Enjoy your V HI-LO OPTION HOIST® Fitness System!

OWNER'S MANUAL

WEIGHT RATIOS



	100%	50%
1	10	5
2	20	10
3	30	15
4	40	20
5	50	25
6	60	30
7	70	35
8	80	40
9	90	45
10	100	50
11	110	55
12	120	60
13	130	65
14	140	70
15	150	75

The above chart shows the standard weight stack for this unit. The weights listed are approximate. HOIST reserves the right to modify the machine without prior notice.

OWNER'S MANUAL

HOIST FITNESS SYSTEMS **LIMITED LIFETIME WARRANTY**

Hoist Fitness Systems warrants this product to the **original purchaser** to be free from defects in workmanship and/or materials under normal use or service. If at any time a component part is defective, Hoist Fitness Systems shall repair or replace it (at Hoist Fitness Systems option) within a reasonable period of time. This warranty does not cover costs of removal, transportation or reinstallation. This warranty shall not apply if the defect was caused by misuse, neglect or normal wear and tear.

WARRANTY CLAIMS. All claims require: Model number, Serial number, Date of installation, and any information supporting the existence of the alleged defect.

To complete Warranty Registration visit:
www.HOISTFITNESS.com
and click on the Warranty Registration link

Starting from the original date of purchase, normal wear and tear shall be considered as the following:

COMMERCIAL USE: All malfunctions of upholstery, grips, paint, and chrome that occur after one year; all malfunctions of electronic components, belts, or cables after one year; all malfunctions of pulleys, bearings, or bushings that occur after five years. The frame and all welded components are warranted for the life of the product.

HOME USE: All malfunctions of grips, paint, and chrome that occur after ten years; all malfunctions of electronic components, belts, cables, or upholstery that occur after ten years; all malfunctions of pulleys, bearings, or bushings that occur after ten years. The frame and all welded components are warranted for the life of the product.

PLEASE NOTE THAT NOT ALL HOIST PRODUCTS ARE MADE FOR COMMERCIAL USE.

Refer to the instructions page of your owners manual or consult with you fitness product dealer to establish if a product is made for commercial use or not. Using a non-commercial product in a commercial setting can result in serious injury or death!

Hoist Fitness Systems sole responsibility shall be to repair or replace the component within the terms stated above. Hoist Fitness Systems shall not be liable for any loss or damage of any kind including any incidental or consequential damages resulting, directly or indirectly from any warranty expressed or implied or any other failure of this product.

WHAT IS NOT COVERED BY THIS WARRANTY

Hoist's sole obligation under this warranty is limited to either repair or replacement of parts, subject to the additions below. This warranty neither assumes nor authorizes any person to assume obligations other than expressly covered by this warranty.

NO CONSEQUENTIAL DAMAGES. Hoist is not responsible for economic loss; profit loss; or special, indirect, or consequential damages.

WARRANTY IS NOT TRANSFERABLE. This warranty is not assignable and applies only in favor of the original purchaser/user to whom delivered. Any such assignment or transfer shall void the warranties herein made and shall void all warranties, expressed, implied or statutory, except the one (1) and five (5) year warranties described above. These warranties are exclusive and in lieu of all other warranties, including implied warranty and merchantability or fitness for a particular purpose. There are no warranties which extend beyond the description on the face hereof.

TRANSPORTATION COSTS. Hoist will accept parts covered under this warranty freight collect, provided that shipment has received prior approval. Hoist is not responsible for any other transportation costs, but will ship freight collect parts either repaired or replaced under these warranties.

Hoist Fitness Systems
9990 Empire St. #130
San Diego, CA. 92126
(800)548-5438

PLEASE KEEP THIS FOR YOUR RECORDS