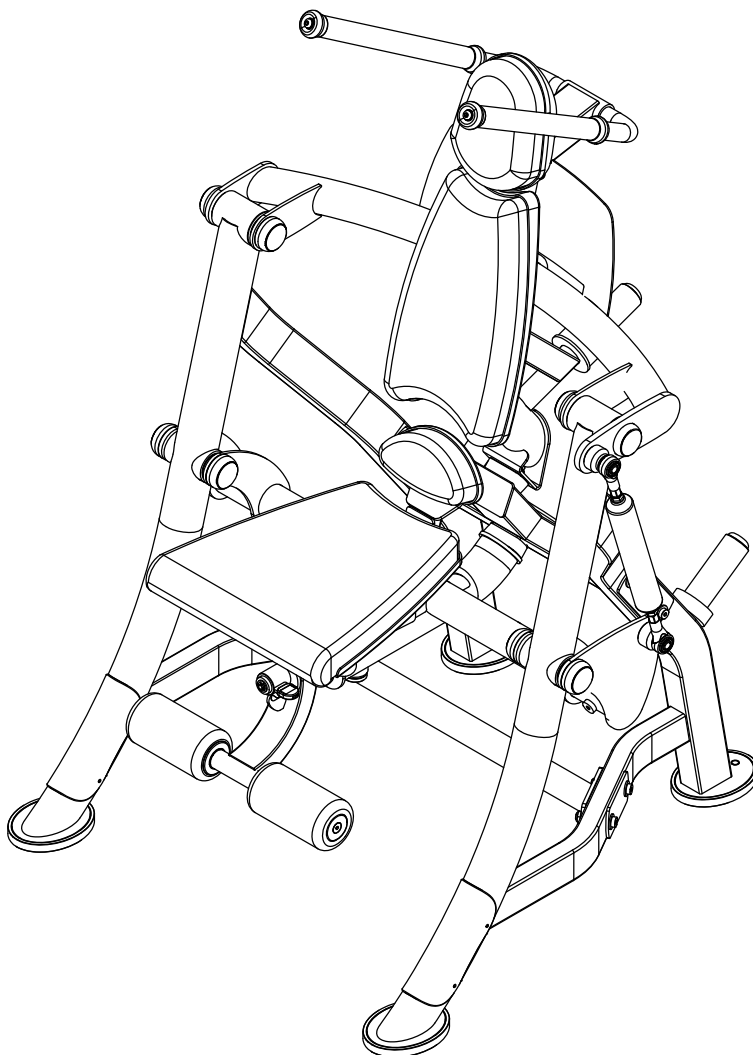


OWNER'S MANUAL



RPL-5601 AB CRUNCH



****WARNING!****

TO PREVENT POSSIBLE TIPPING, BOLT THIS UNIT TO THE EXERCISE FLOOR. FAILURE TO DO SO MAY RESULT IN SERIOUS INJURY OR DEATH.

Note: Both Serial Number and Model Number are Required when Ordering Parts

RECORD SERIAL NUMBER HERE

MACHINE CODE

F07

Customer Service

(800) 548-5438

(858) 578-7676

Fax

(858) 578-9558



www.facebook.com/hoistfitness

OWNER'S MANUAL

CONTENTS

INSTRUCTIONS	02
FRAME ASSEMBLY	04
PRE-ASSEMBLY.....	18
DECAL PLACEMENT.....	20
DECAL REFERENCE.....	22
PART LIST.....	25
ABBREVIATIONS.....	28
BOLT SIZING CHART.....	29
WASHER SIZING CHART.....	35
MAINTENANCE SCHEDULE.....	37
GENERAL MAINTENANCE INFORMATION.....	38
WEIGHT TRAINING TIPS.....	39
EXERCISE LOG.....	40
LIMITED WARRANTY.....	41

OWNER'S MANUAL

INSTRUCTIONS

Before beginning assembly please take the time to read instructions thoroughly. Please use the various lists in this manual to make sure that all parts have been included in your shipment. When ordering, use part number and description from the lists. Use only HOIST replacement parts when servicing. Failure to do so will void your warranty and could result in personal injury.

HOIST equipment is designed to provide the smoothest, most effective exercise motion possible. After assembly, you should check all functions to ensure correct operation. If you experience problems, first recheck the assembly instructions to locate any possible errors made during assembly. If you are unable to correct the problem, call your authorized HOIST dealer. Be sure to have your serial number and this manual when calling. When all parts have been accounted for, continue on.

TOOLS REQUIRED

Ratchet Wrench

1/2", 9/16" and 3/4" Sockets

Adjustable Wrench

Rubber Mallet

Tape Measure

Level

Hex Key Wrench Set

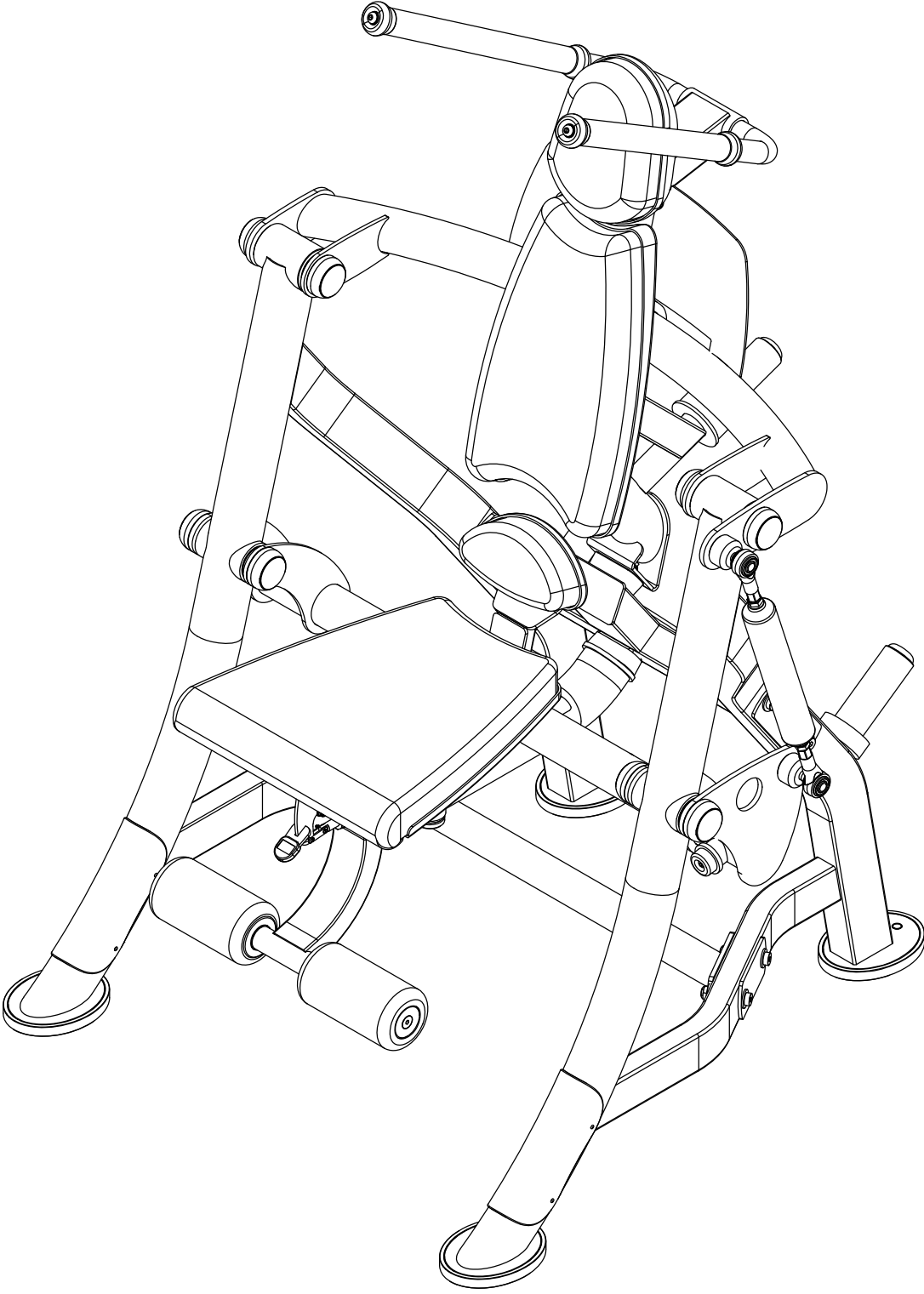
Two People

OWNER'S MANUAL

THIS PAGE WAS INTENTIONALLY LEFT BLANK

OWNER'S MANUAL

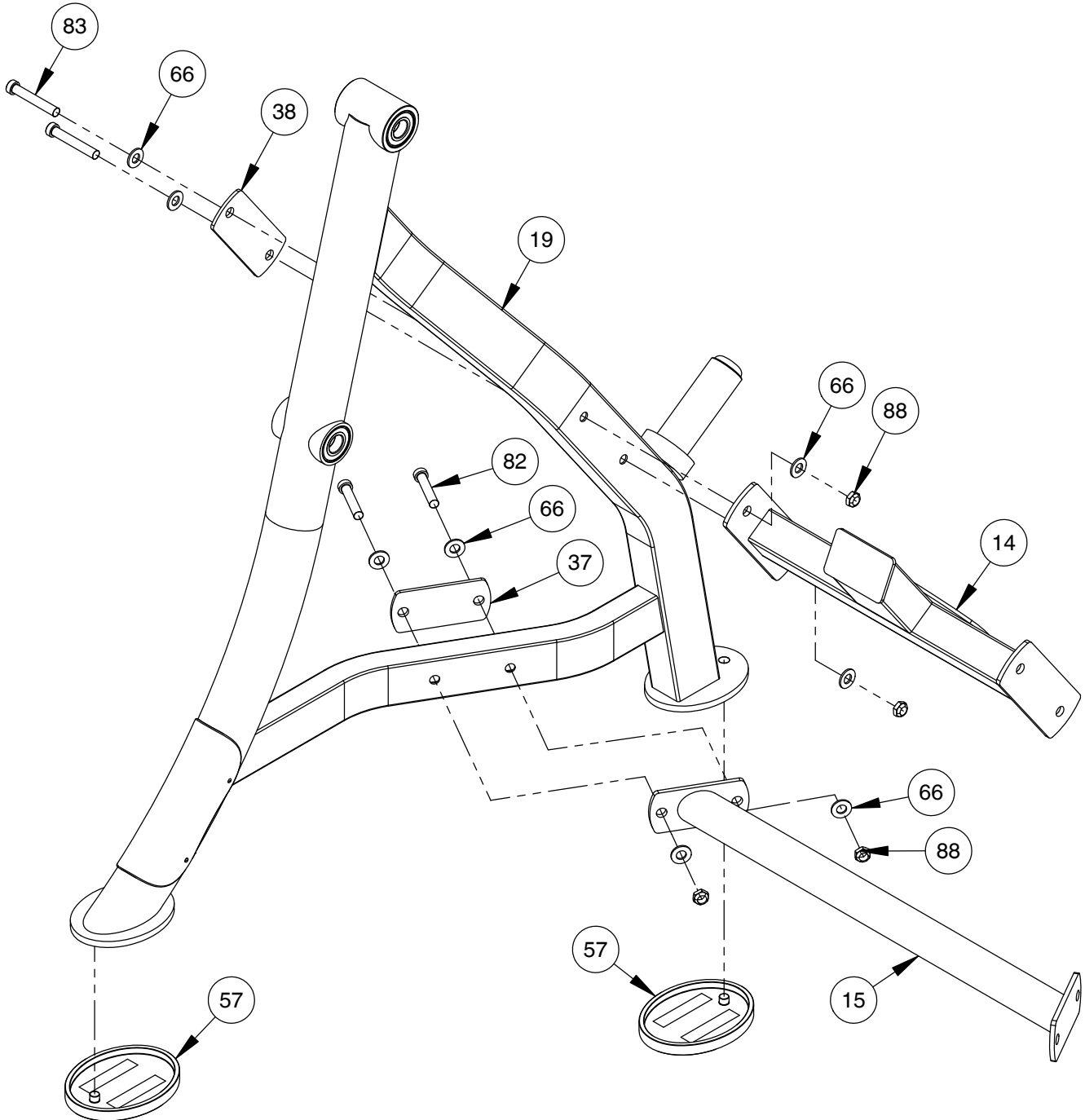
FRAME ASSEMBLY



OWNER'S MANUAL

FRAME ASSEMBLY

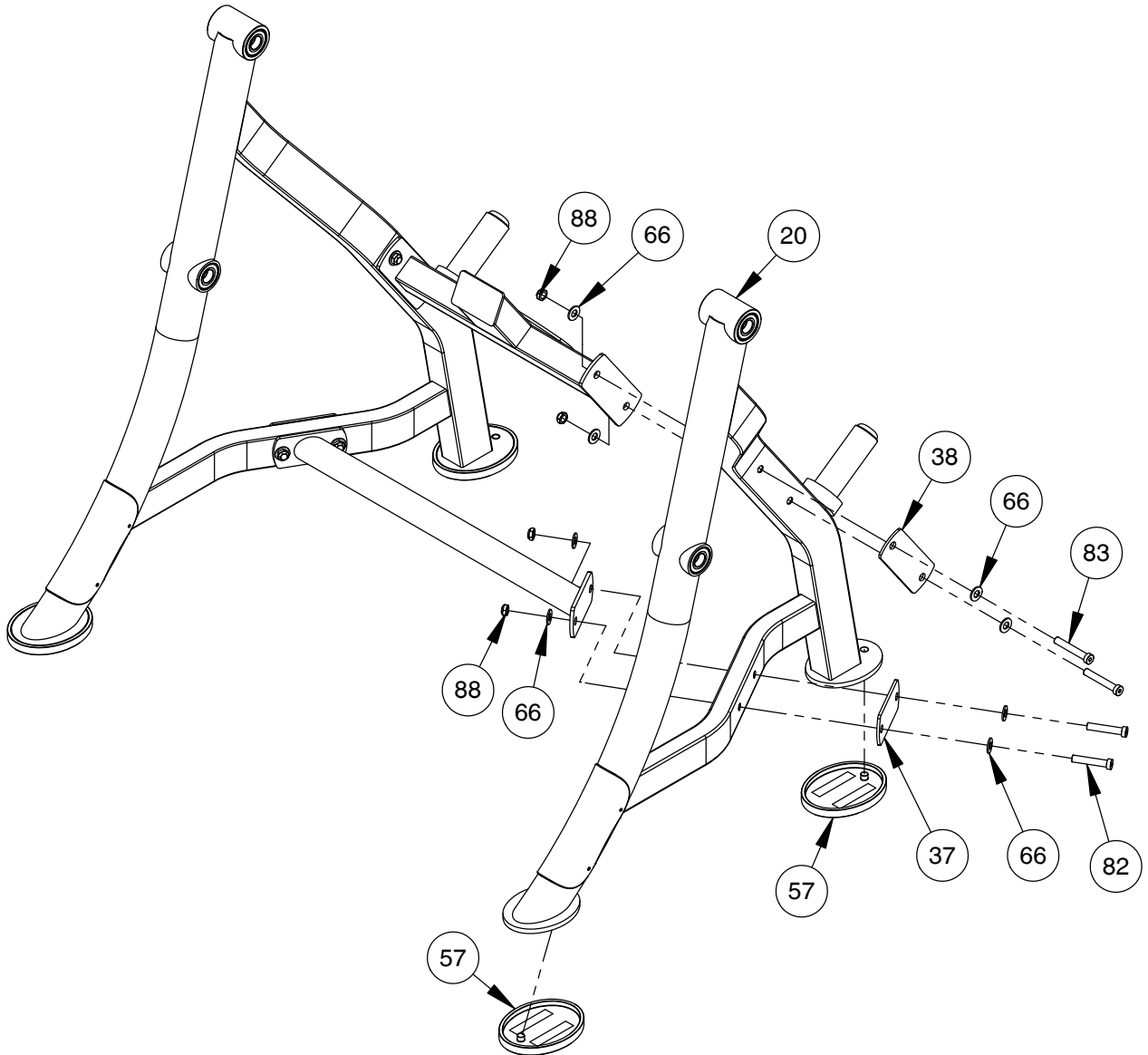
NOTE:
- HAND TIGHTEN HARDWARE.
- SOME PARTS MAY HAVE BEEN
REMOVED FOR CLARITY.



OWNER'S MANUAL

FRAME ASSEMBLY

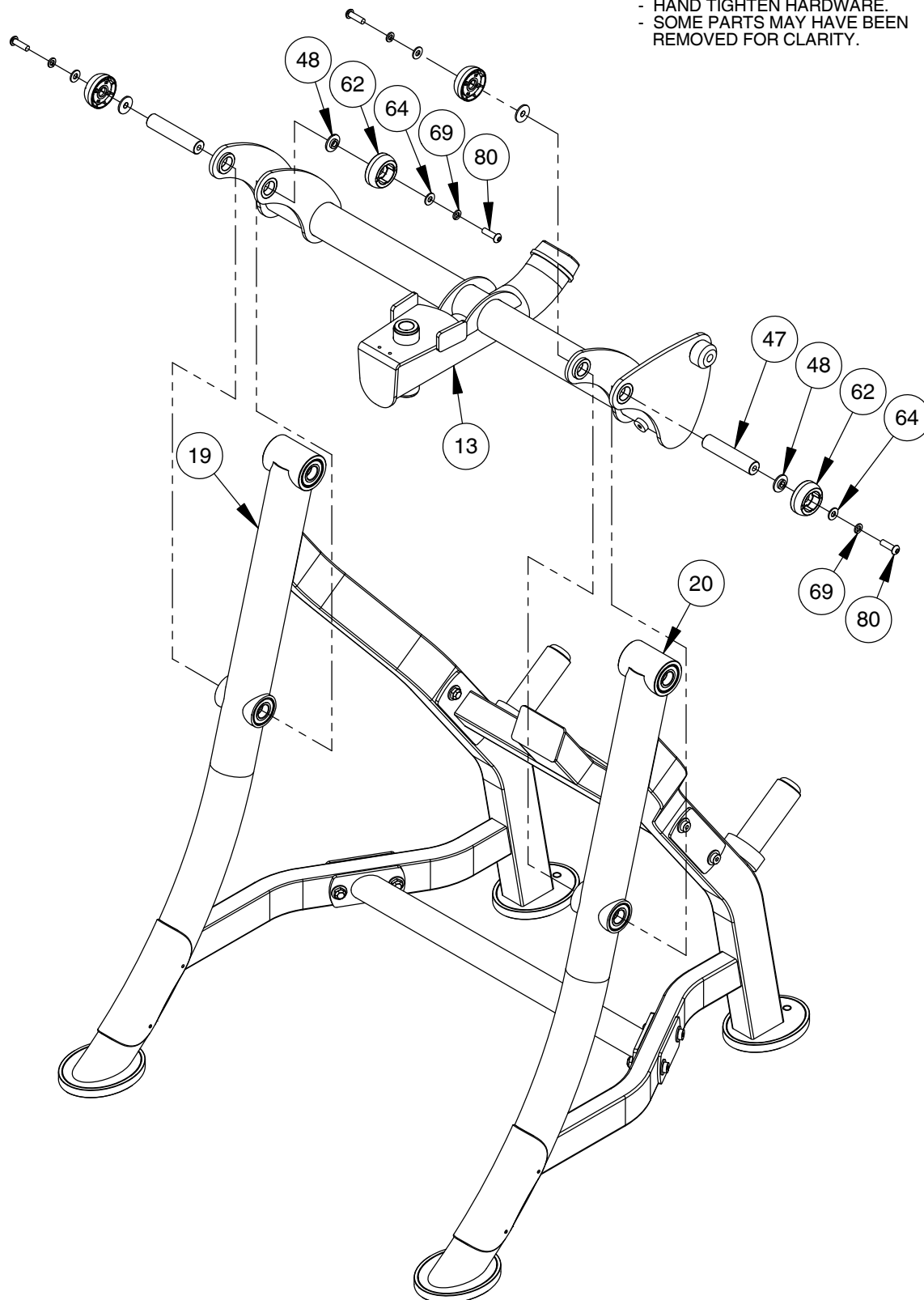
NOTE:
- HAND TIGHTEN HARDWARE.
- SOME PARTS MAY HAVE BEEN
REMOVED FOR CLARITY.



OWNER'S MANUAL

FRAME ASSEMBLY

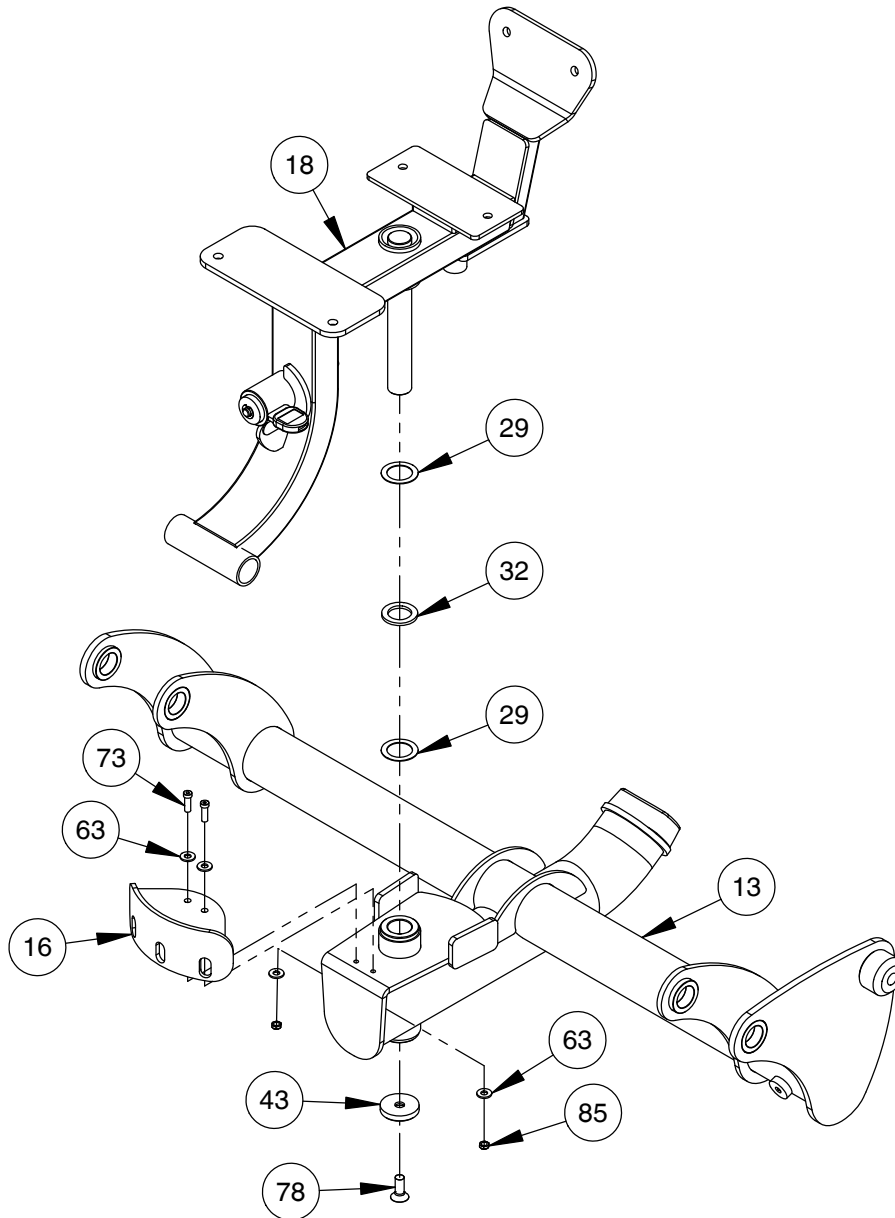
NOTE:
- HAND TIGHTEN HARDWARE.
- SOME PARTS MAY HAVE BEEN
REMOVED FOR CLARITY.



OWNER'S MANUAL

FRAME ASSEMBLY

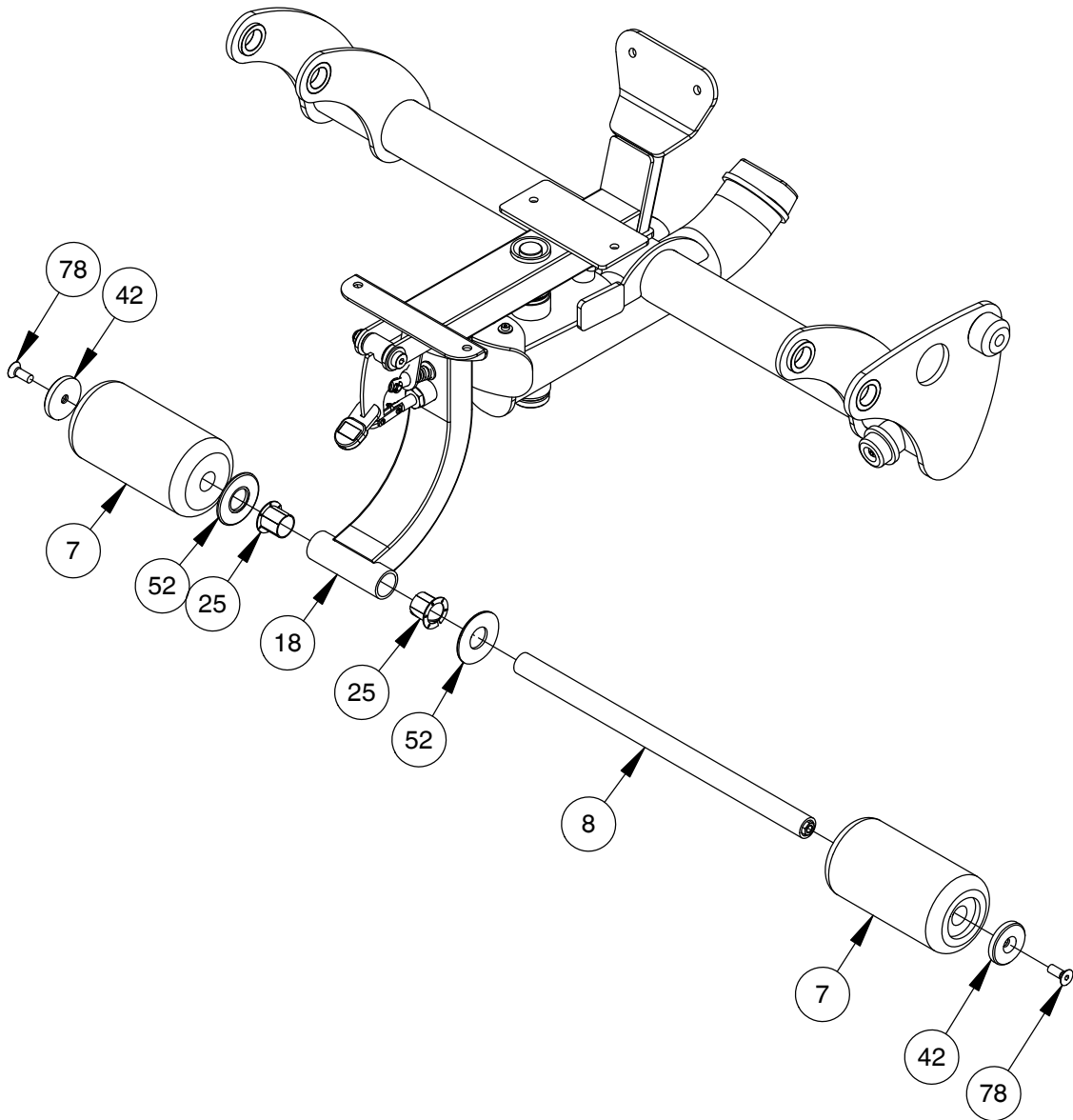
NOTE:
- WRENCH TIGHTEN HARDWARE.
- SOME PARTS MAY HAVE BEEN
REMOVED FOR CLARITY.



OWNER'S MANUAL

FRAME ASSEMBLY

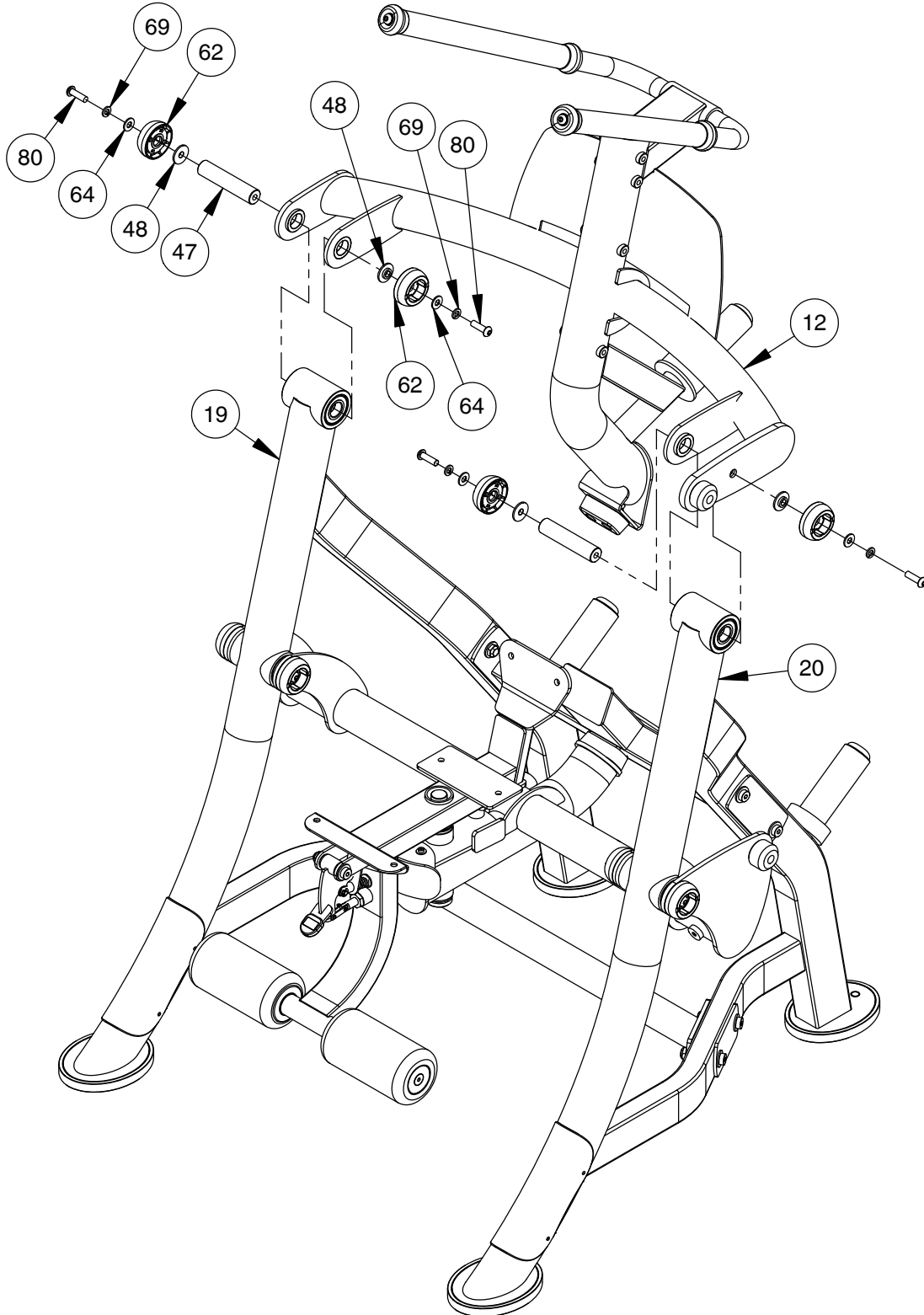
NOTE:
- WRENCH TIGHTEN HARDWARE.
- SOME PARTS MAY HAVE BEEN
REMOVED FOR CLARITY.



OWNER'S MANUAL

FRAME ASSEMBLY

NOTE:
- HAND TIGHTEN HARDWARE.
- SOME PARTS MAY HAVE BEEN
REMOVED FOR CLARITY.

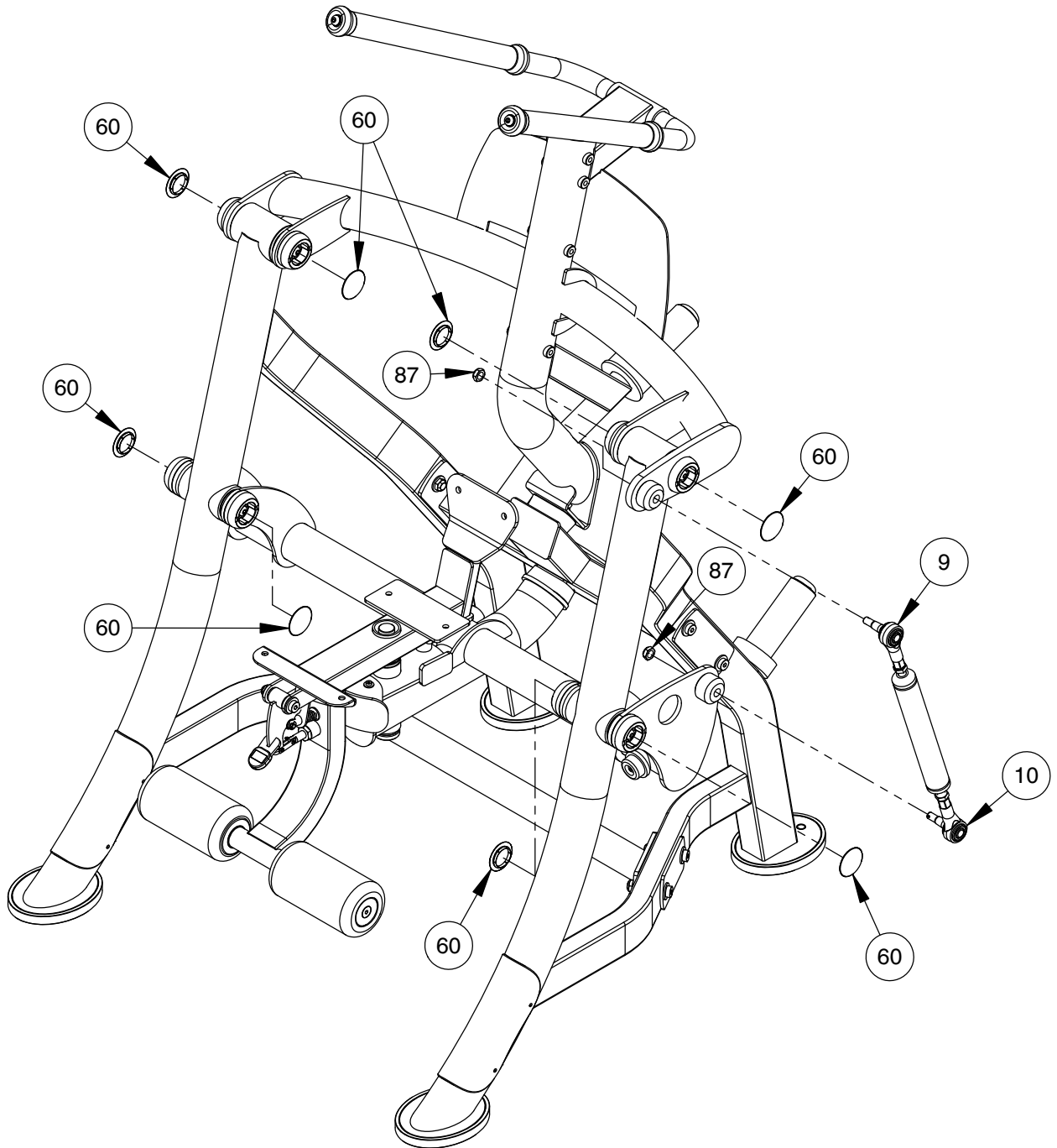


OWNER'S MANUAL

FRAME ASSEMBLY

NOTE:

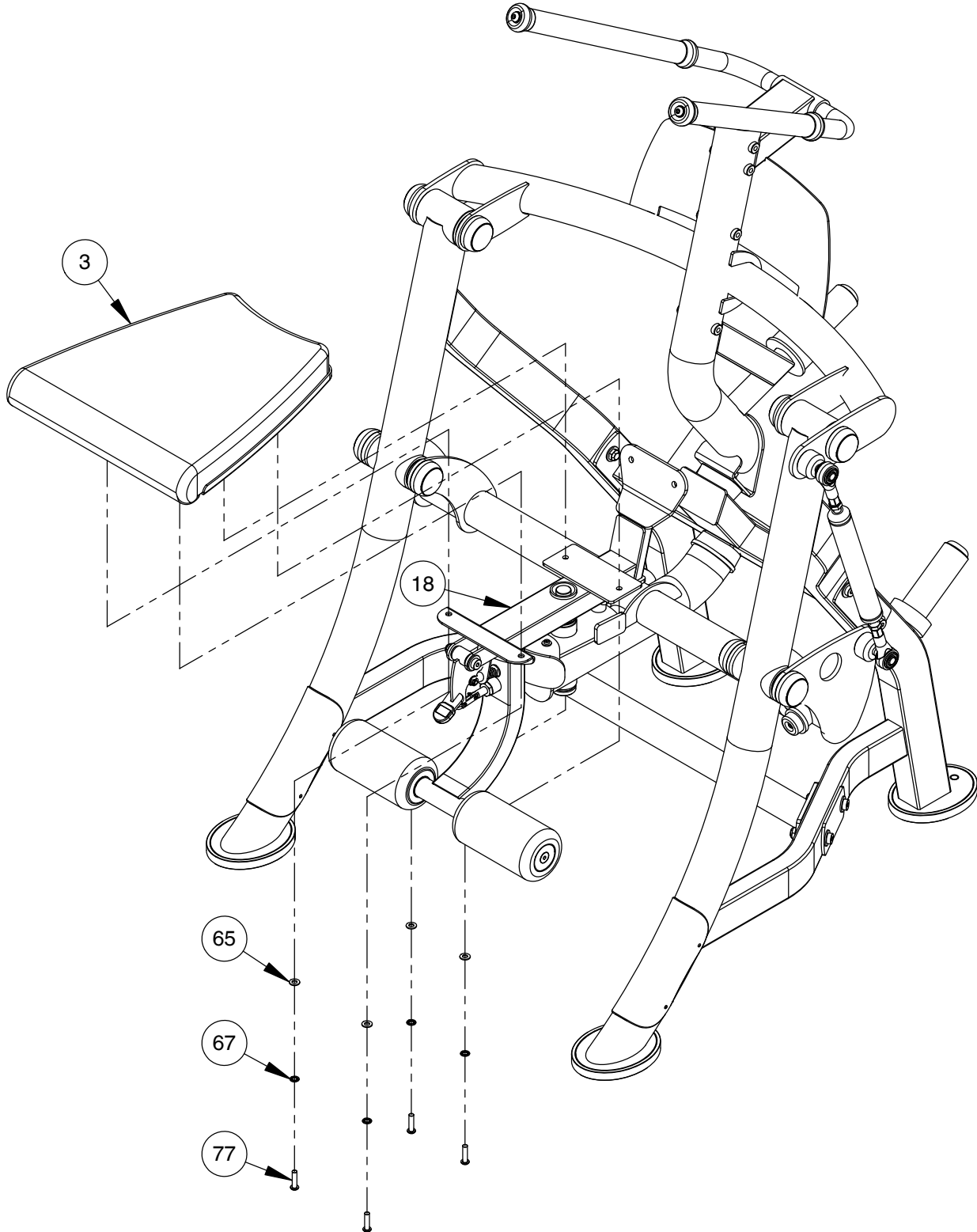
- WRENCH TIGHTEN HARDWARE (87) THEN LOOSEN NUT JUST ENOUGH FOR (9,10) TO PIVOT FREELY.
- WRENCH TIGHTEN ALL PREVIOUSLY HAND TIGHTENED HARDWARE.
- SOME PARTS MAY HAVE BEEN REMOVED FOR CLARITY.



OWNER'S MANUAL

FRAME ASSEMBLY

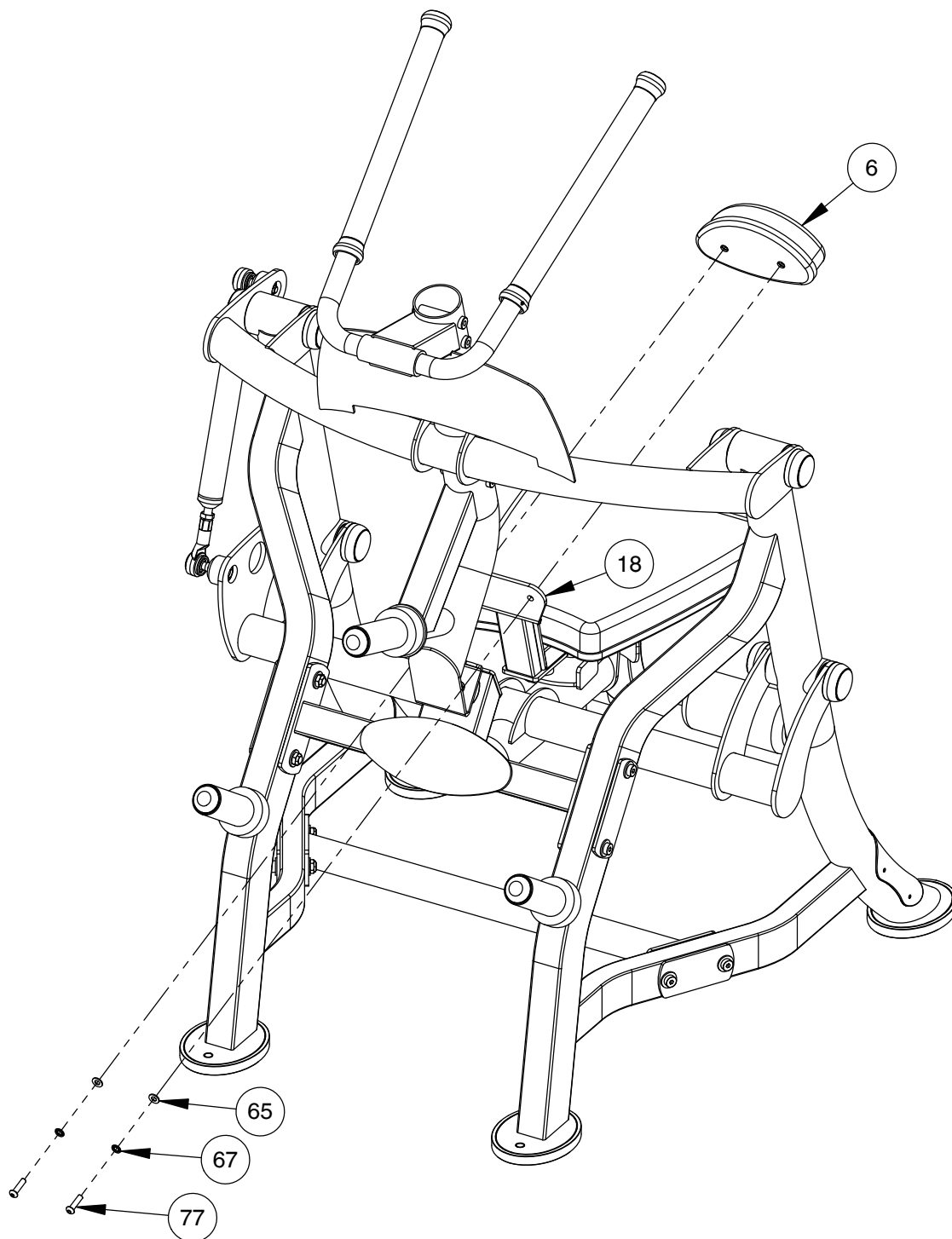
NOTE:
- WRENCH TIGHTEN HARDWARE.
- SOME PARTS MAY HAVE BEEN
REMOVED FOR CLARITY.



OWNER'S MANUAL

FRAME ASSEMBLY

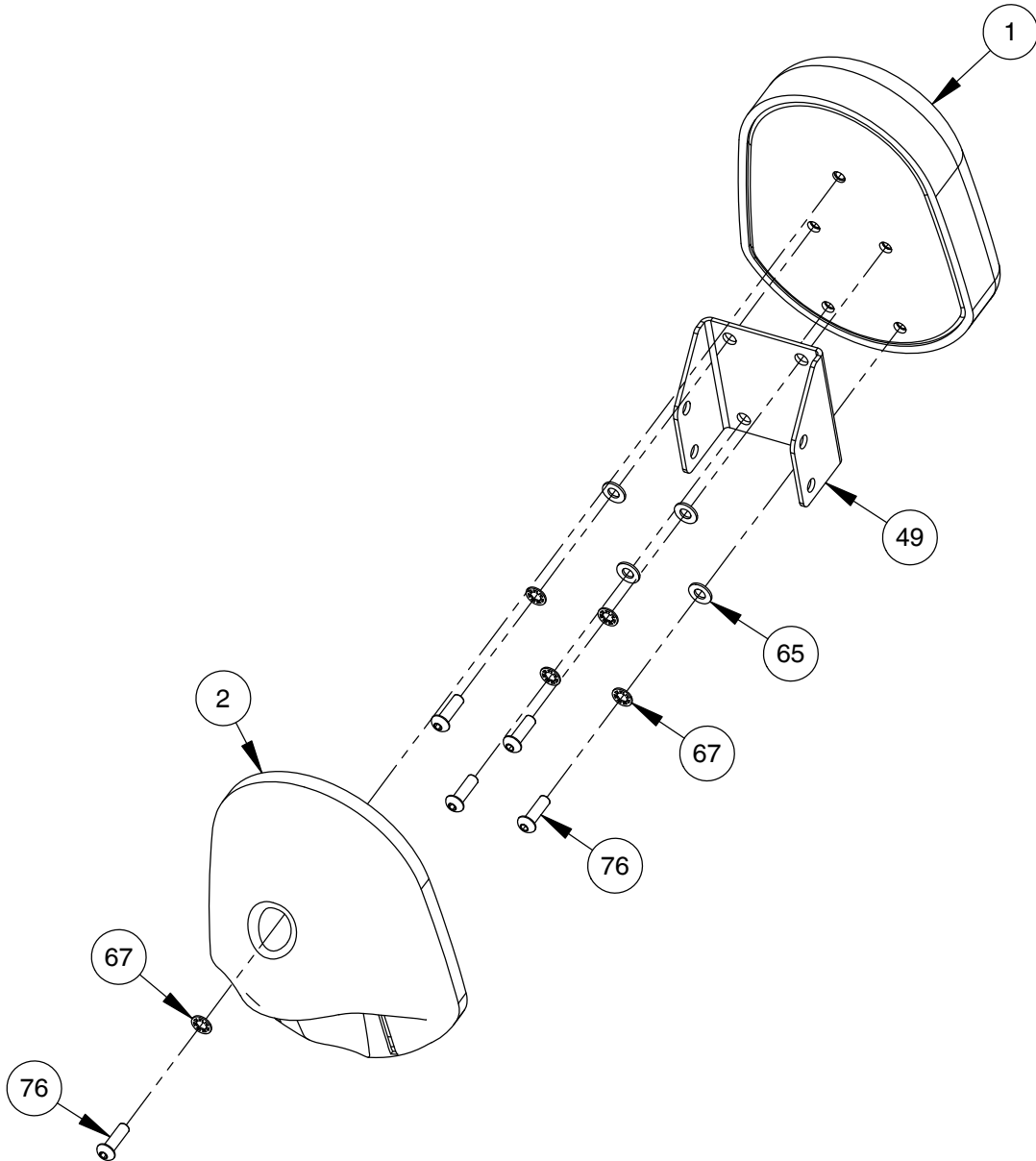
NOTE:
- WRENCH TIGHTEN HARDWARE.
- SOME PARTS MAY HAVE BEEN
REMOVED FOR CLARITY.



OWNER'S MANUAL

FRAME ASSEMBLY

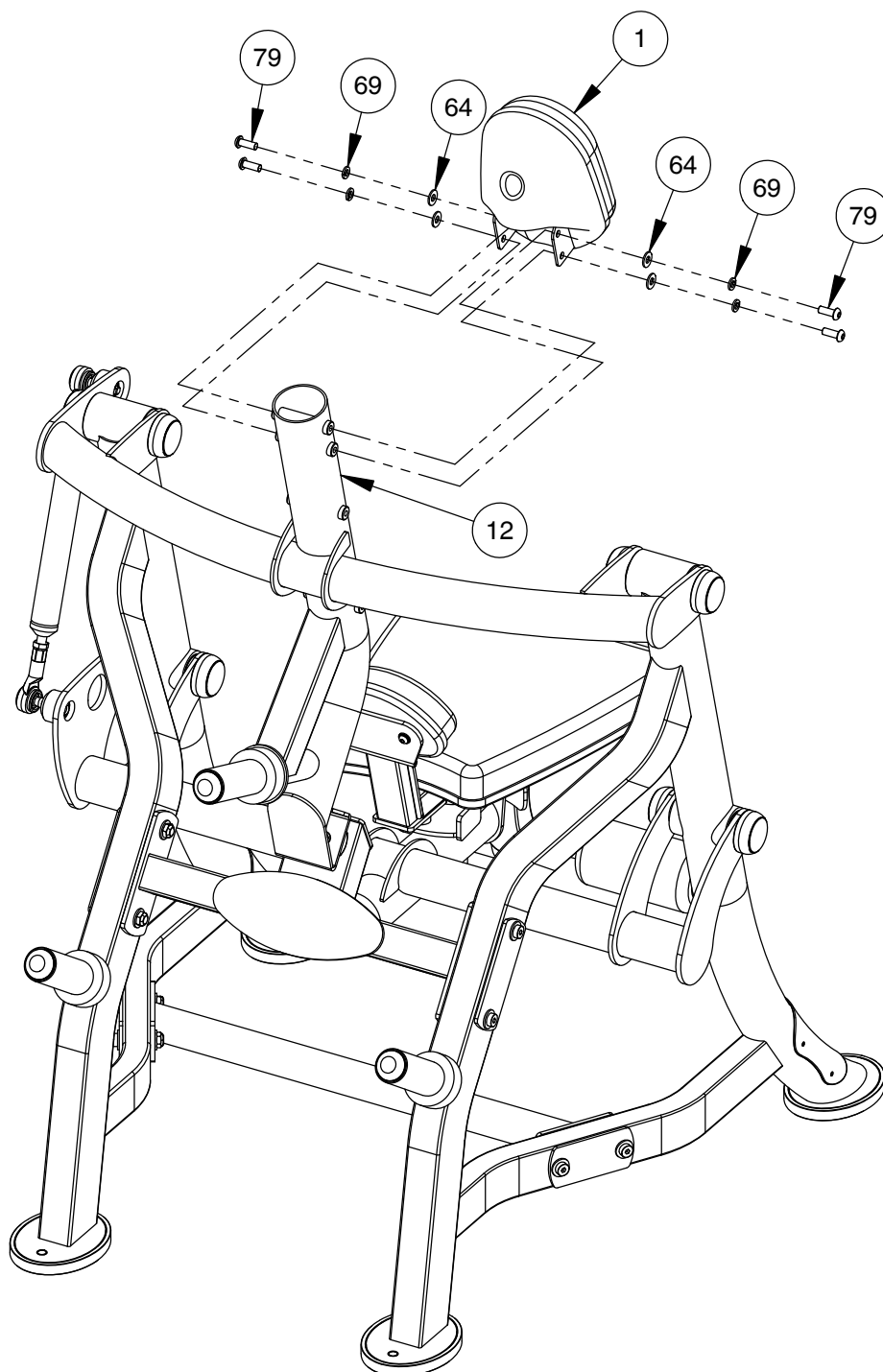
NOTE:
- WRENCH TIGHTEN HARDWARE.
- SOME PARTS MAY HAVE BEEN
REMOVED FOR CLARITY.



OWNER'S MANUAL

FRAME ASSEMBLY

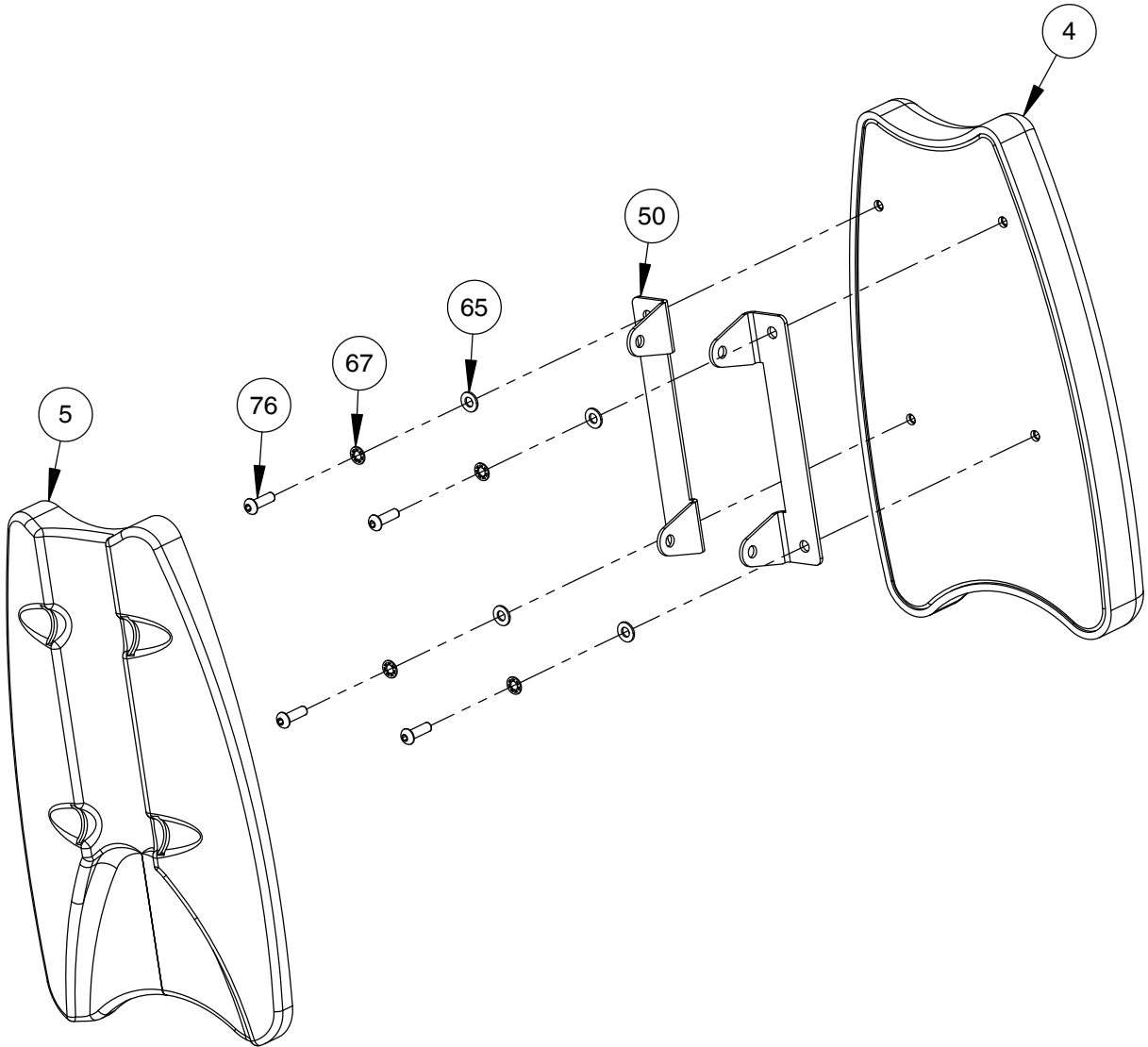
NOTE:
- WRENCH TIGHTEN HARDWARE.
- SOME PARTS MAY HAVE BEEN
REMOVED FOR CLARITY.



OWNER'S MANUAL

FRAME ASSEMBLY

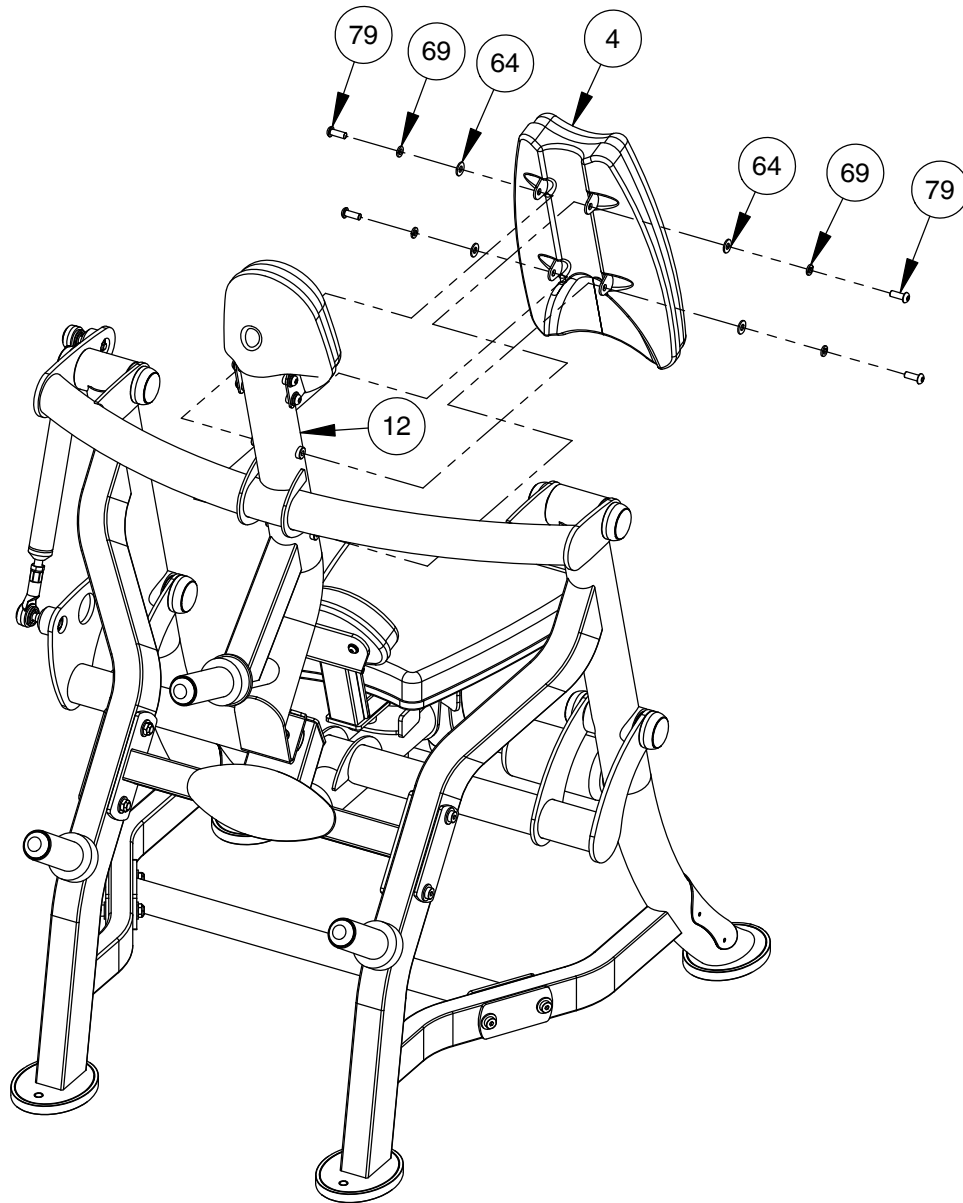
NOTE:
- WRENCH TIGHTEN HARDWARE.
- SOME PARTS MAY HAVE BEEN
REMOVED FOR CLARITY.



OWNER'S MANUAL

FRAME ASSEMBLY

NOTE:
- WRENCH TIGHTEN HARDWARE.
- SOME PARTS MAY HAVE BEEN
REMOVED FOR CLARITY.

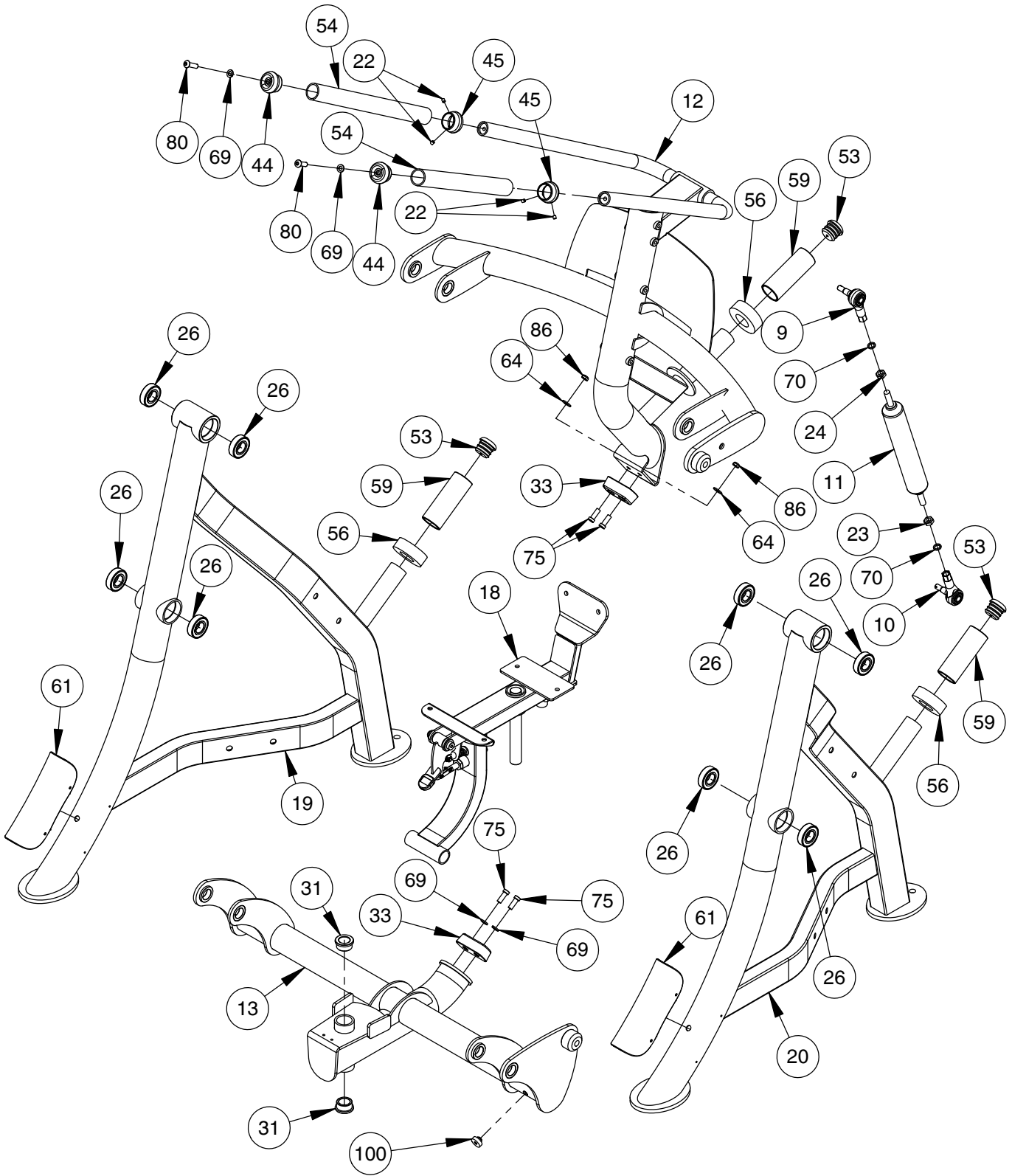


IMPORTANT

NOW THAT THE RPL-5601 IS COMPLETELY ASSEMBLED TAKE TIME TO ASSURE THAT YOUR UNIT IS ASSEMBLED SQUARE AND PERPENDICULAR. IF NOT, IT WILL BE NECESSARY TO LOOSEN SOME FRAME HARDWARE TO RE-ALIGN THE FRAME AND RETIGHTEN BOLTS.

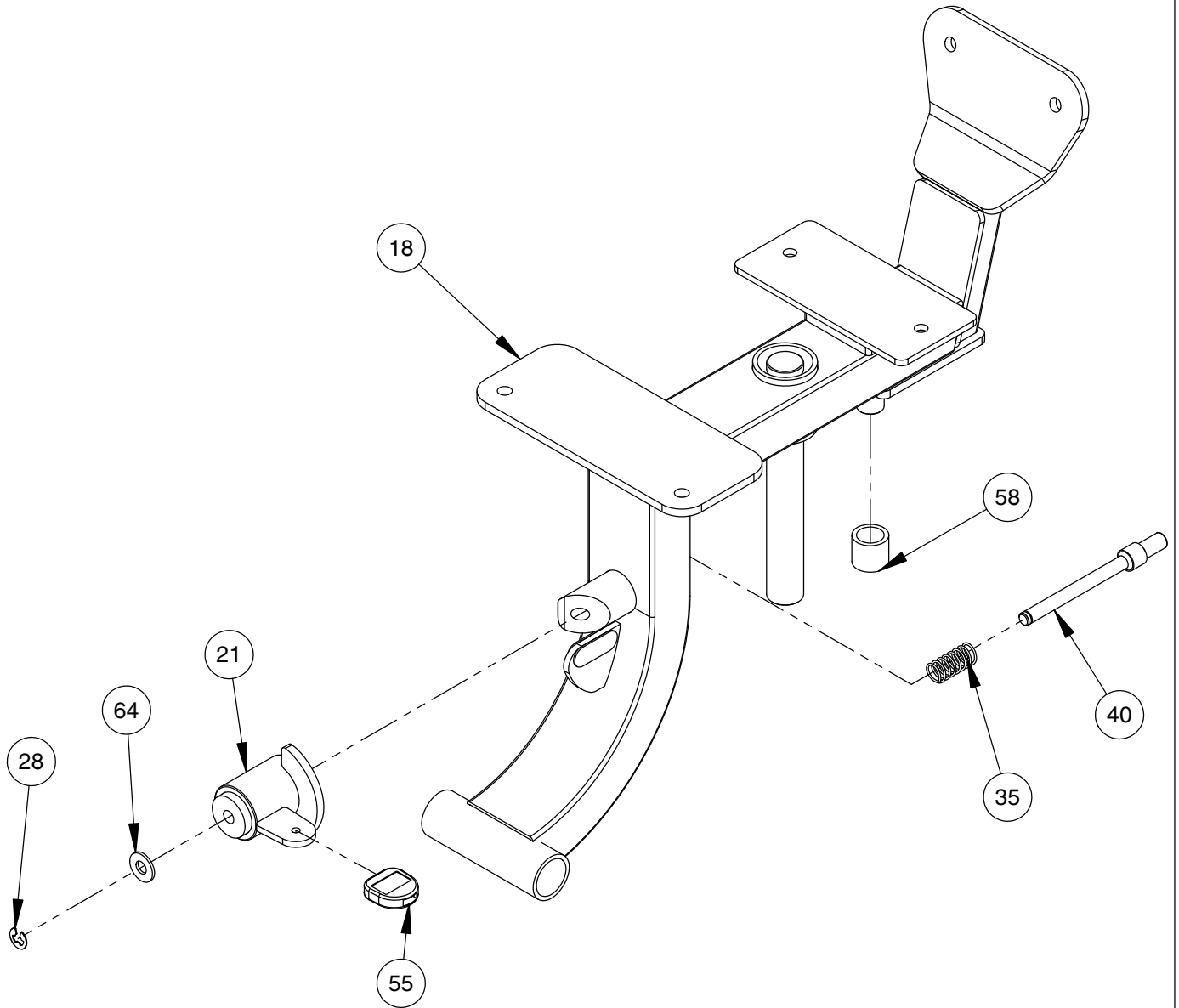
OWNER'S MANUAL

PRE-ASSEMBLY



OWNER'S MANUAL

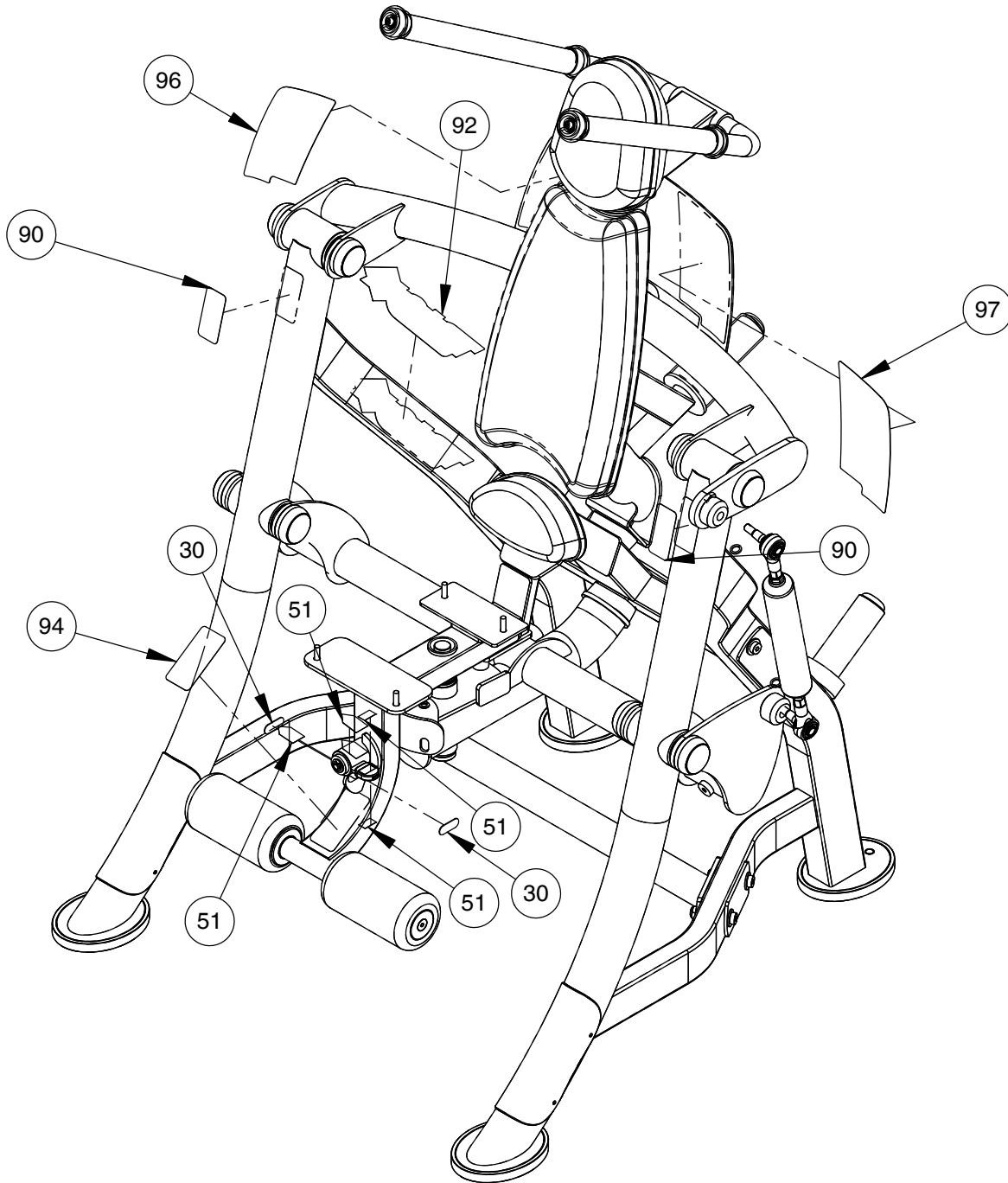
PRE-ASSEMBLY (CONTINUED)



OWNER'S MANUAL

DECAL PLACEMENT

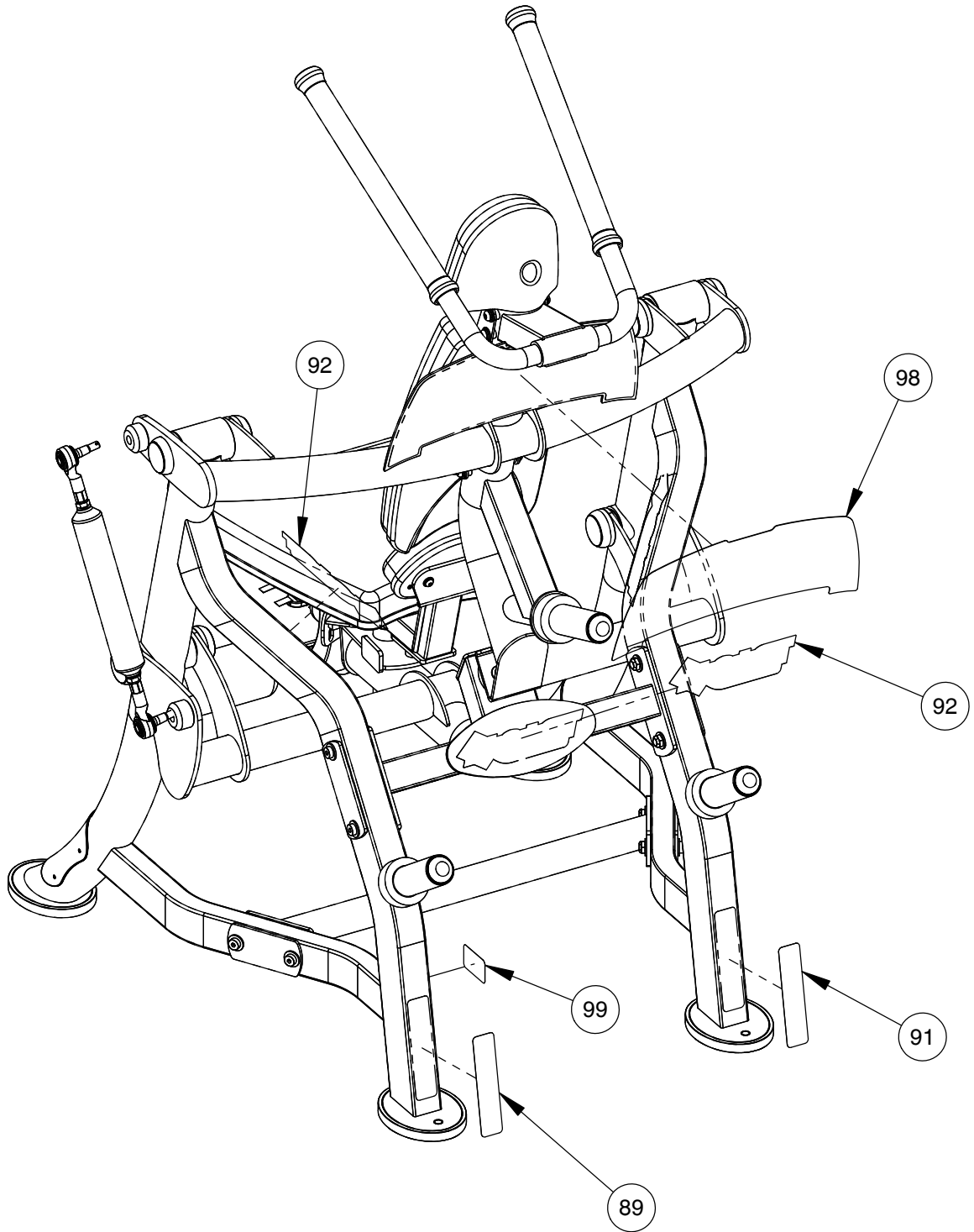
NOTE:
- ALL DECALS ARE CENTERED
UNLESS OTHERWISE STATED.



OWNER'S MANUAL

DECAL PLACEMENT (CONTINUED)

NOTE:
- ALL DECALS ARE CENTERED
UNLESS OTHERWISE STATED.



OWNER'S MANUAL

DECAL REFERENCE



1-800-548-5438
www.hoistfitness.com
SERIAL # 00-00-A-000000



SERIAL # DECAL



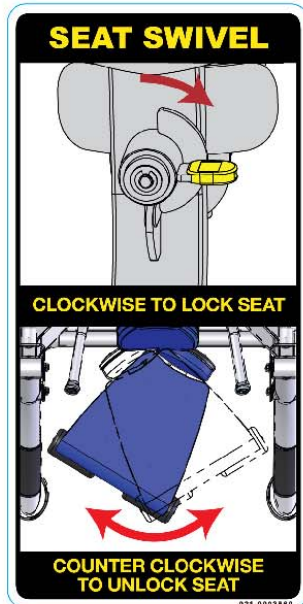
021-0003221



021-0003881



021-0003113



021-0003560

NOTICE					
COMMERCIAL MAINTENANCE	Daily	Weekly	Monthly	Quarterly	Yearly
Inspect; Links, Pull Pins, Snap Locks, Swivels, Weight Stack Pins	X				
Clean; Upholstery	X				
Inspect; Cables or Belts and their tension	X				
Inspect; Accessory Bars and Handles		X			
Inspect; All Decals		X			
Inspect; All nuts and Bolts Tighten if Needed.		X			
Inspect; Anti-Skid Surfaces		X			
Clean & Lubricate; Guide Rods with a Teflon (PTFE) based lubricant (Superlube)			X		
Lubricate; Seat Sleeves, Turcite Bushings, Linear Bearing			X		
Clean & Wax; All Glossy Finishes				X	
Repack with Grease Linear Bearings				X	
Replace; Cables, Belts and Connecting Parts.					X

021-0003008

WARNING

USE ONLY GENUINE HOIST REPLACEMENT PARTS. FAILURE TO DO SO WILL VOID WARRANTY AND COULD RESULT IN PERSONAL INJURY OR EVEN DEATH. THERE IS A RISK ASSUMED BY INDIVIDUALS WHO USE THIS TYPE OF EQUIPMENT. TO MINIMIZE THE RISK, ALWAYS FOLLOW THESE SIMPLE RULES.

1. READ AND UNDERSTAND ALL ENCLOSED INSTRUCTIONS before using this equipment.
2. INSPECT EQUIPMENT BEFORE EACH USE. Replace all parts at the first signs of wear or damage. If in doubt about a certain part, DO NOT use the equipment until the part is replaced. Failure to replace worn or damaged parts may result in injury.
3. FOLLOW ROUTINE MAINTENANCE SCHEDULE. Refer to the owner's manual/maintenance decal.
4. CONSULT YOUR PHYSICIAN BEFORE STARTING ANY EXERCISE PROGRAM. Warm up properly before engaging in weight resistance training. Stop exercising if you feel faint, dizzy or pain.
5. TO PREVENT THE POSSIBILITY OF SERIOUS INJURY, KEEP CLEAR OF ALL MOVING PARTS. Do not attempt to free any jammed parts by yourself. Obtain assistance to avoid possible injury.
6. CHILDREN SHOULD NOT BE ALLOWED TO USE THIS EQUIPMENT WITHOUT ADULT SUPERVISION. To avoid possible injury, bystanders should be kept at a safe distance when this equipment is in use.
7. CALL YOUR AUTHORIZED DISTRIBUTOR if you have any questions on the proper use or maintenance of this equipment.
8. TO PREVENT POSSIBLE TIPPING bolt this unit to the exercise floor. Failure to do so may result in serious injury or death.

021-0003135

OWNER'S MANUAL

DECAL REFERENCE (CONTINUED)



ALTERNATE EXERCISES



OBLIQUE CRUNCH

1. Sit with back against back pad and seat in unlocked position with knees to the side of the body.
2. Grasp handles and place feet behind roller pads.
3. Pull handles down while pulling roller pads upward.
4. Slowly return to starting position.



TWISTING OBLIQUE

1. Sit with back against back pad and seat in unlocked position with knees to the side of the body.
2. Grasp handles and place feet behind roller pads.
3. Pull handles down while pulling roller pads upward.
4. Slowly return to starting position.

SEAT SWIVEL



SWIVEL SEAT



LOCK SEAT

ROTATING CRUNCH

1. Sit with back against back pad and seat in unlocked position.
2. Grasp handles and place feet behind roller pads.
3. Pull handles down while rotating roller pads upward and around in a semi-circular motion.
4. Lower and continue rotating roller pads to complete circular motion, returning to starting position.



TORSO ROTATION

1. Sit with back against back pad and seat in unlocked position with knees to the side of the body.
2. Grasp handles and place feet behind roller pads.
3. Pull handles down and hold the crunch position while rotating roller pads from side to side.
4. Slowly return to starting position.



021-0003824

021-0003824



CAUTION

1. Keep your hands on the handles at all times.
2. Your seat is designed to move as you exercise.
3. Your seat will swivel side to side unless locked.
4. Do not enter or exit the machine unless it is stationary.

ride oriented conditioning - abdominal system
RDC-ABS

021-0003822

021-0003822



INSTRUCTIONS:

1. Sit with back against back pad and seat in locked position.
2. Grasp handles and place feet behind roller pads.
3. Pull handles down while pulling roller pads upward.
4. Slowly return to starting position.



021-0003823

021-0003823-A

OWNER'S MANUAL

THIS PAGE WAS INTENTIONALLY LEFT BLANK

OWNER'S MANUAL

PART LIST

NOTE: SOME OF THESE PARTS MAY COME PRE-INSTALLED

ITEM NO.	PART NUMBER	DESCRIPTION	QTY.
1	022-01PD2073-A	HEAD PAD ASSEMBLY	1
2	022-01PD2073-5	HEAD PAD PLASTIC BACKING	1
3	022-01PD2079-A	SEAT PAD ASSEMBLY	1
4	022-01PD2081-A	BACK PAD ASSEMBLY	1
5	022-01PD2081-5	BACK PAD PLASTIC BACKING	1
6	022-01PD2082-A	HIP PAD ASSEMBLY	1
7	022-01PDR017	ROLLER PAD Ø3.75" X 7.00" LG.	2
8	026-01X0139	ROLLER BAR ASSEMBLY 17.69" LG.	1
9	026-01X3724	TIE-ROD END LEFT HANDED	1
10	026-01X3725	TIE-ROD END RIGHT HANDED ASSEMBLY	1
11	026-01X3686	CONTROL LINK	1
12	026-01X3693	BACK PAD MOUNT	1
13	026-01X3782	LOWER PIVOTING ASSEMBLY	1
14	026-01X3783	CROSSMEMBER ASSEMBLY	1
15	026-01X3785	CROSSMEMBER ASSEMBLY	1
16	026-01X5578	LATCH ASSEMBLY	1
18	026-01X5956	SEAT MOUNT ASSEMBLY	1
19	026-01X5595	SIDE FRAME ASSEMBLY - RIGHT	1
20	026-01X5596	SIDE FRAME ASSEMBLY - LEFT	1
21	026-01X5950	SWITCH LEVER	1
22	011-0711001	SET SCREW: 1/4"-28 X .25" LG. (Ni)	4
23	012-0105007	1/2-20 JAMNUT RH	1
24	012-0105012	1/2-20 JAMNUT LH	1
25	014-0011001	NYLINER BUSHING: Ø 1.09" O.D. X Ø 1.00" I.D X 1.13" LG.	2
26	014-0012014	BEARING: FLANGELESS - 25mm I.D.	8
28	014-0015009	.375" E-CLIP	1
29	014-0024001	THRUST WASHER, 1"	2
30	026-01PL2489	.0500" RUBBERIZED NON-SKID (BLACK), ADHESIVE BACKED	2
31	014-0101017	BUSHING: OILITE FLANGED Ø1.03" ID X Ø1.38" OD X .75" LG.	2
32	014-0101031	BUSHING: OILITE 1.50" OD X 1.00" ID X .127" THICK	1
33	026-01PL2291	RUBBER STOP	2
35	020-0011009	SPRING	1

OWNER'S MANUAL

PART LIST CONTINUED

NOTE: SOME OF THESE PARTS MAY COME PRE-INSTALLED

ITEM NO.	PART NUMBER	DESCRIPTION	QTY.
37	026-01F0289	FLANGE	2
38	026-01F0307	FLANGE: 2 HOLES 6.25" X 2.50"	2
40	026-01M3228	PULL PIN PLUNGER	1
42	026-01M0238	FLATHEAD CAP Ø2.00" ALUM.	2
43	026-01M0239	ALUMINUM FLATHEAD CAP Ø1.63" X .31" LG.	1
44	026-01M0932	ALUMINIUM CAP: Ø1.25" ID	2
45	026-01M0933	ALUMINUM RING: Ø1.25" ID	2
47	026-01M2991	PIVOT SHAFT	4
48	026-01M3112	FINISHED CAP WASHER	8
49	026-01P2907	HEAD BRACKET MOUNT	1
50	026-01P2929	BACK BRACKET MOUNT	2
51	021-0003881	ROC-N-LOC DECALS	1
52	026-01PL0151	PLASTIC WASHER Ø2.50"	2
53	026-01PL0183	Ø1.66" END PLUG	3
54	026-01PL0235-27	GRIP OPEN END Ø1.188" X 15.00" LG.	2
55	026-01PL0239	THUMB LATCH	1
56	026-01PL0264	WEIGHT HORN RUBBER DONUT	3
57	026-01PL2122	OVAL-SHAPED RUBBER FOOT	4
58	026-01PL2188	Ø.75" X .88" RUBBER TUBE	1
59	026-01PL2195	WEIGHT HORN SLEEVE X 5.00" LG.	3
60	026-01PL2371	3.75" ROLLER PAD END CAP	8
61	026-01PL2516	SCUFF GUARD (CURVED) 8.63" LG. W/ RIVETS	2
62	026-01PL2553	FINISH CAP BODY, Ø2.3750"	8
63	013-1002008	1/4" X 16mm SAE FLAT WASHER (Ni)	4
64	013-1002007	3/8" X 22mm FLAT WASHER (Ni)	19
65	013-1002010	5/16" SAE FLAT WASHER (Ni)	14
66	013-1002006	1/2" X 27mm SAE FLAT WASHER (Ni)	16
67	013-1010003	5/16" INTERNAL LOCK WASHER (Ni)	15
69	013-1006003	3/8" SPLIT LOCK WASHER (Ni)	20
70	013-1006008	M12 SPLIT LOCK WASHER (Ni)	2

OWNER'S MANUAL

PART LIST CONTINUED

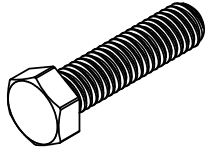
NOTE: SOME OF THESE PARTS MAY COME PRE-INSTALLED

ITEM NO.	PART NUMBER	DESCRIPTION	QTY.
73	011-0116204	1/4"-20UNC X .75" LOW HEAD SHCS (Ni)	2
75	011-0116142	3/8"-16UNC X 1.00" LOW HEAD SHCS (Ni)	4
76	011-0701003	5/16"-18UNC X 1.00" BHCS (Ni)	9
77	011-0701004	5/16"-18UNC X 1.25" BHCS (Ni)	6
78	011-0702020	3/8"-16UNC X 1.00" FHCS (Ni) W/NYLON PATCH	3
79	011-0701020	3/8"-16UNC X 1.00" BHCS (Ni)	8
80	011-0701021	3/8"-16UNC X 1.25" BHCS (Ni)	10
82	011-0116113	1/2"-13UNC X 2.50" LOW HEAD SHCS (Ni)	4
83	011-0116115	1/2"-13UNC X 3.00" LOW HEAD SHCS (Ni)	4
85	012-0504004	1/4"-20 UNC THIN NYLOCK NUT (Ni)	2
86	012-0504005	3/8"-16 UNC THIN NYLOCK NUT (Ni)	2
87	012-0504003	12mm x 1.25mm THIN NYLOCK NUT (Ni)	2
88	012-0504002	1/2"-13 UNC THIN NYLOCK NUT (Ni)	8
89	021-0003008	DECAL COMMERCIAL MAINTENANCE 1.50 X 6.69	1
90	021-0003113	DECAL PINCH POINT 1.63" X 3.25" (VERTICAL)	2
91	021-0003135	DECAL WARNING 1.50" X 6.69"	1
92	021-0003221	DECAL HOIST 2.50" X 9.13"	3
94	021-0003560	DECAL LEVER ADJUST 2.00" X 4.00" (VERTICAL)	1
96	021-0003822	ROC-IT-AB PLACARD (LEFT)	1
97	021-0003823-A	ROC-IT-AB PLACARD (RIGHT)	1
98	021-0003824	ROC-IT-AB PLACARD (BACK)	1
99	SERIAL # DECAL	DECAL HOIST SERIAL # 1.63" X 2.63"	1
100	019-0001001	PLUG BUMPER	1

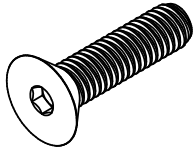
OWNER'S MANUAL

ABBREVIATIONS

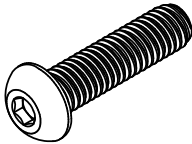
BZ = Black Zinc
Ni = Nickel Plated
SS = Stainless Steel
WZ = White Zinc



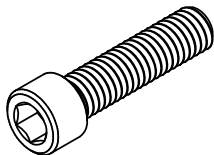
HHB = Hex Head Bolt



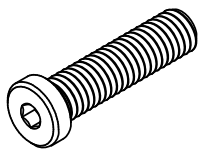
FHCS = Flat Head Cap Screw



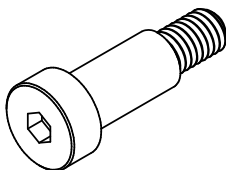
BHCS = Button Head Cap Screw



SHCS = Socket Head Cap Screw



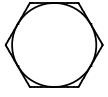
Low Head SHCS = Low Head Socket
Head Cap Screw



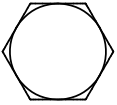
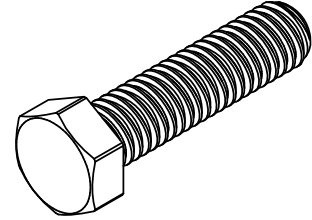
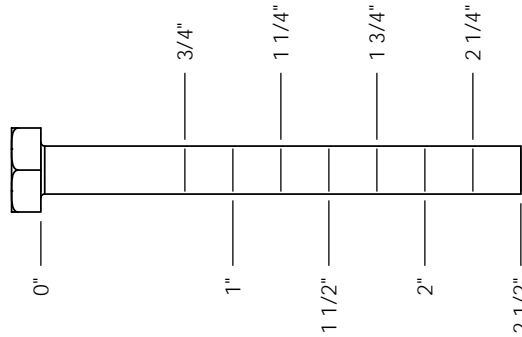
SHSS = Socket Head Shoulder Screw

OWNER'S MANUAL

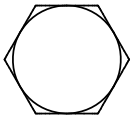
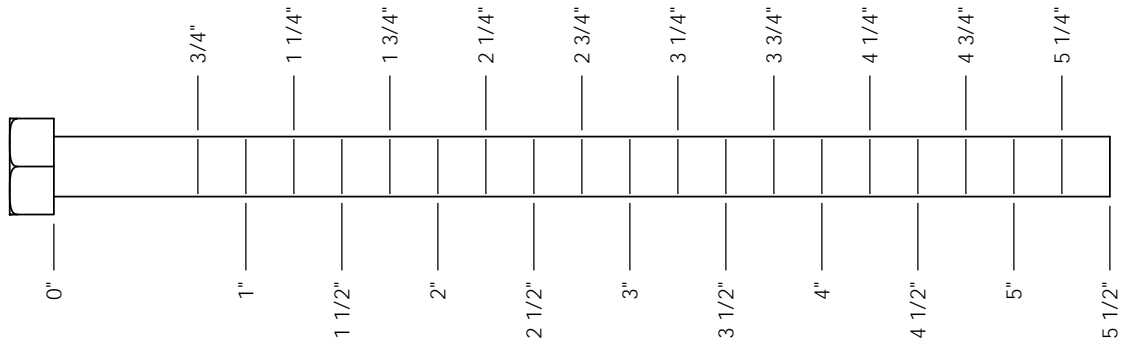
BOLT SIZING CHART HEX HEAD BOLT



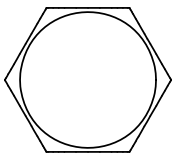
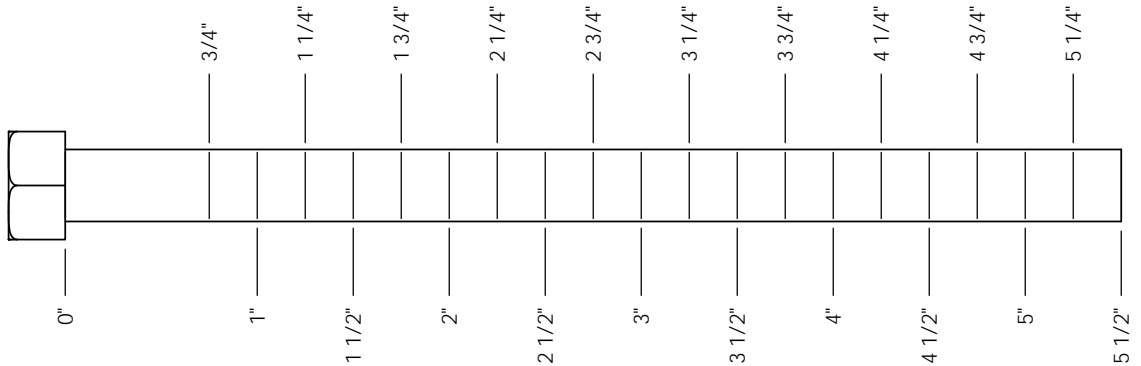
1/4" HHB
RECOMMENDED
TORQUE RANGE:
6-8 ft-lbs



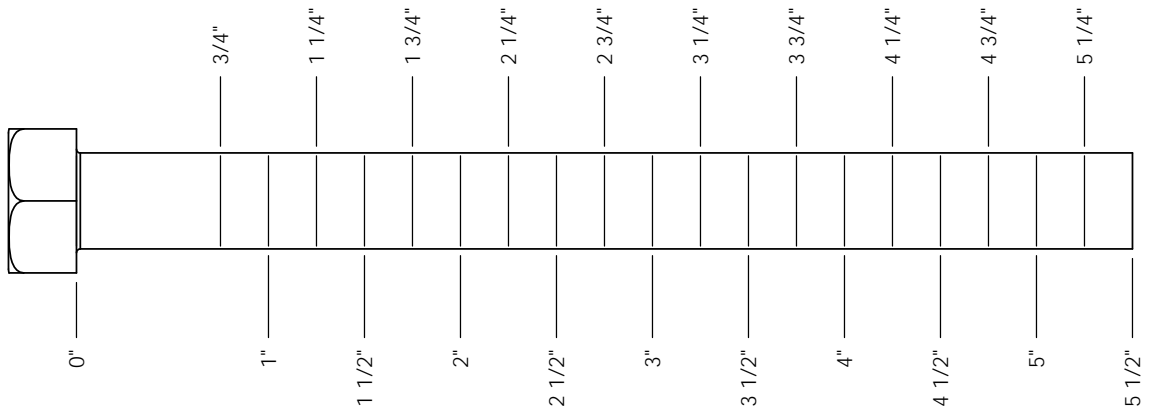
5/16" HHB
RECOMMENDED
TORQUE RANGE:
14-17 ft-lbs



3/8" HHB
RECOMMENDED
TORQUE RANGE:
24-30 ft-lbs



1/2" HHB
RECOMMENDED
TORQUE RANGE:
60-75 ft-lbs

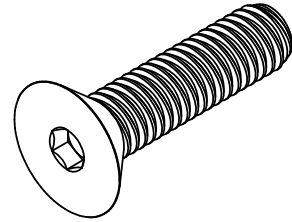
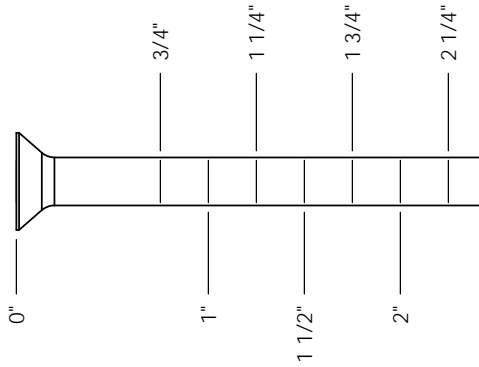


OWNER'S MANUAL

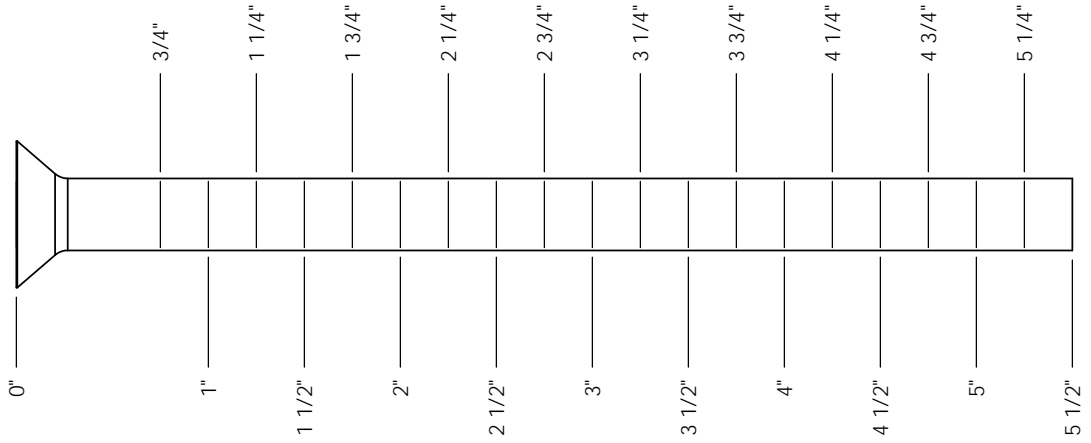
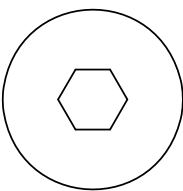
BOLT SIZING CHART FLAT HEAD CAP SCREW



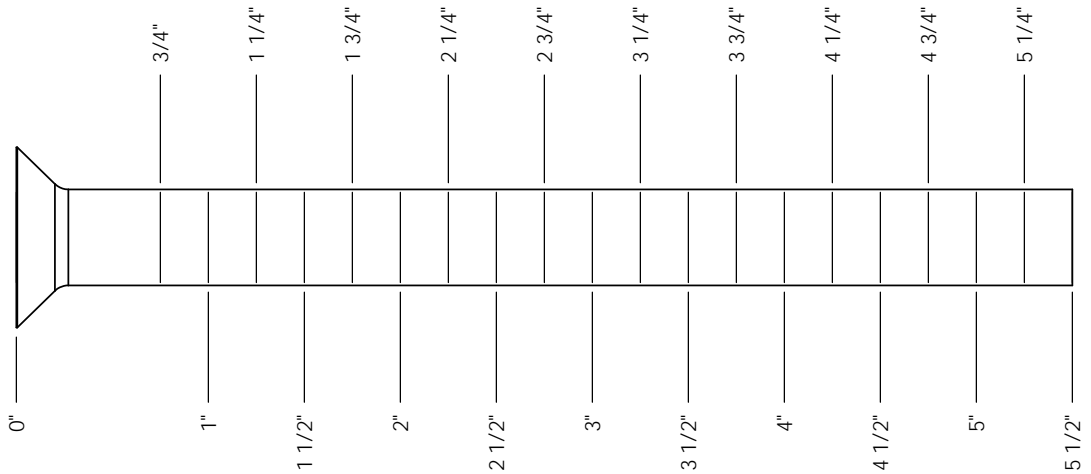
1/4" FHCS
RECOMMENDED
TORQUE RANGE:
5-7 ft-lbs




3/8" FHCS
RECOMMENDED
TORQUE RANGE:
19-26 ft-lbs

1/2" FHCS
RECOMMENDED
TORQUE RANGE:
47-65 ft-lbs

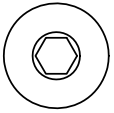
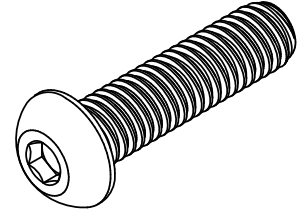
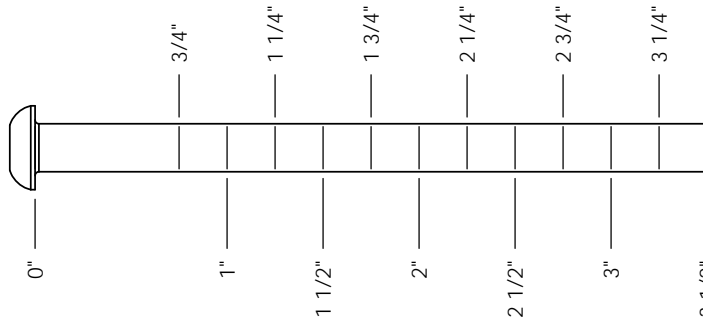


OWNER'S MANUAL

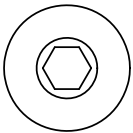
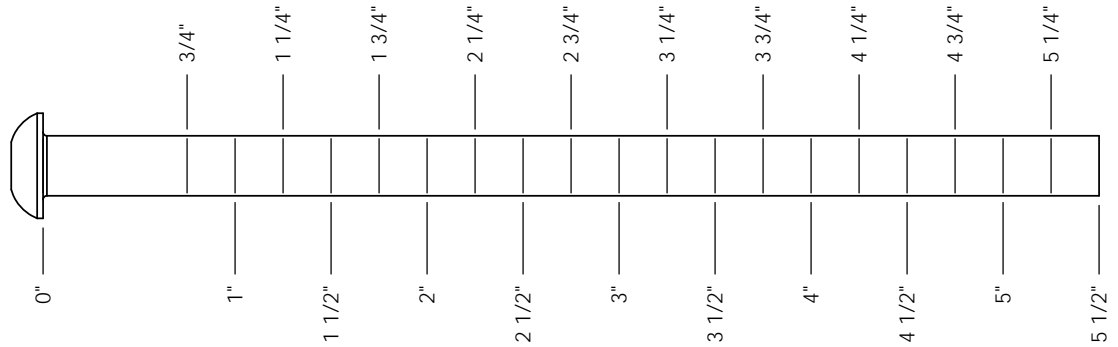
BOLT SIZING CHART BUTTON HEAD CAP SCREW



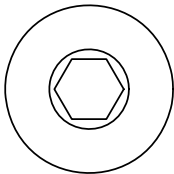
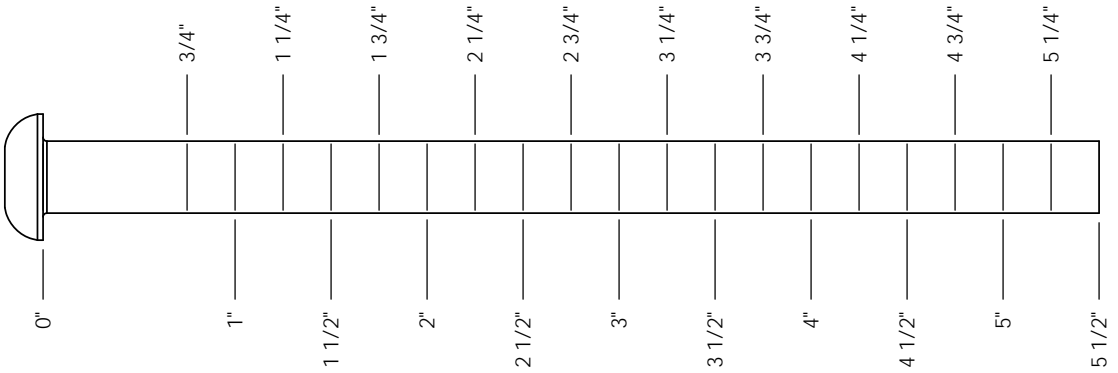
1/4" BHCS
RECOMMENDED
TORQUE RANGE:
5-7 ft-lbs



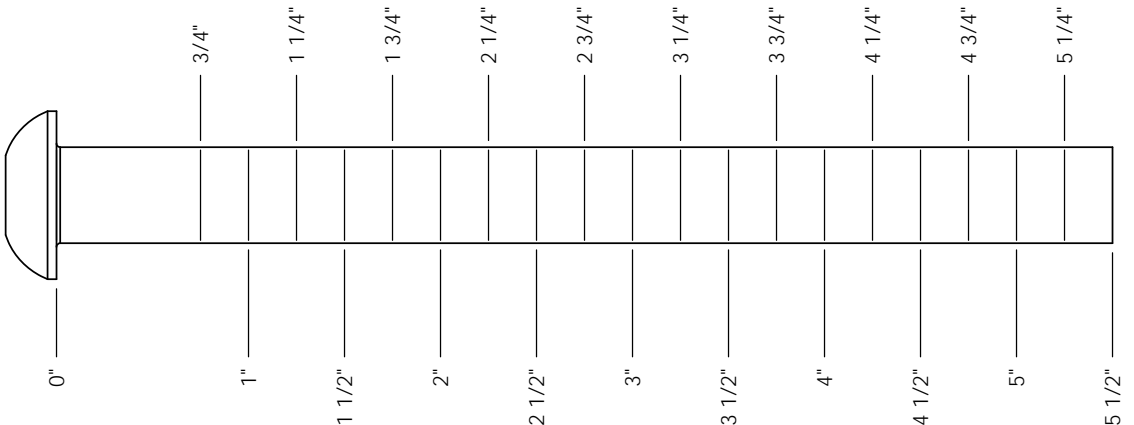
5/16" BHCS
RECOMMENDED
TORQUE RANGE:
11-15 ft-lbs



3/8" BHCS
RECOMMENDED
TORQUE RANGE:
19-26 ft-lbs



1/2" BHCS
RECOMMENDED
TORQUE RANGE:
47-65 ft-lbs

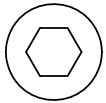
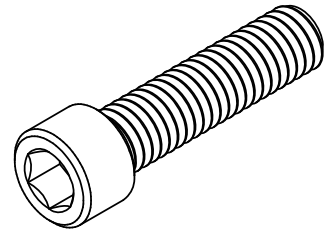
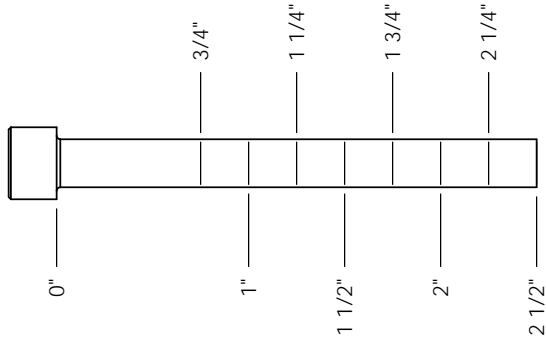


OWNER'S MANUAL

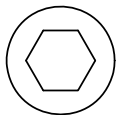
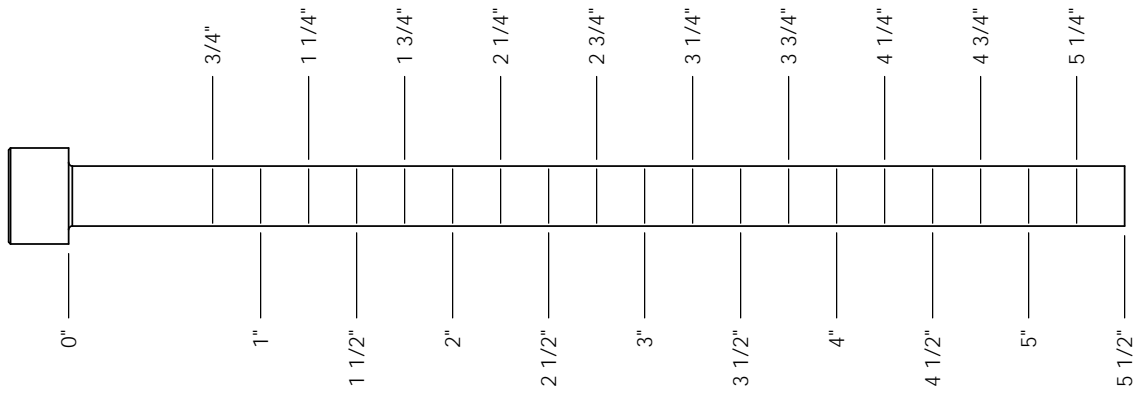
BOLT SIZING CHART SOCKET HEAD CAP SCREW



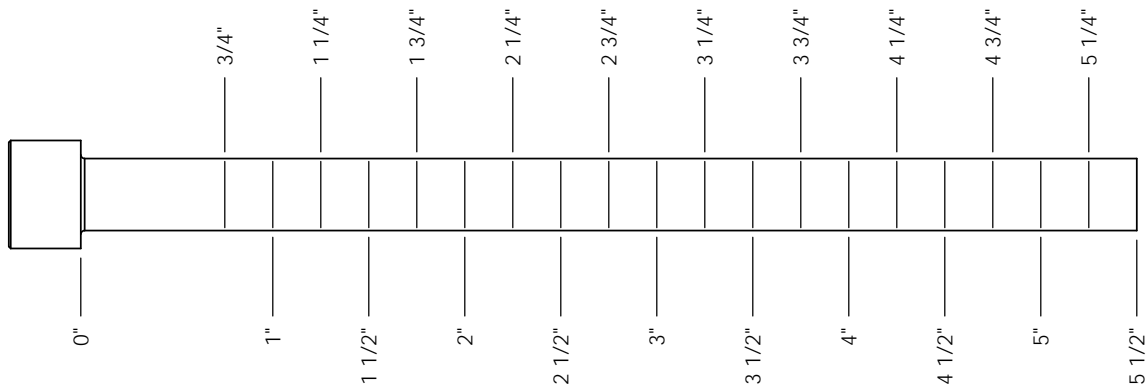
1/4" SHCS
RECOMMENDED
TORQUE RANGE:
11-14 ft-lbs



5/16" SHCS
RECOMMENDED
TORQUE RANGE:
23-29 ft-lbs

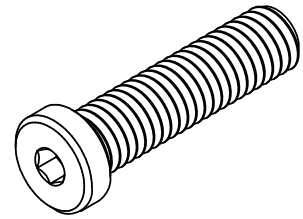


3/8" SHCS
RECOMMENDED
TORQUE RANGE:
39-49 ft-lbs



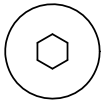
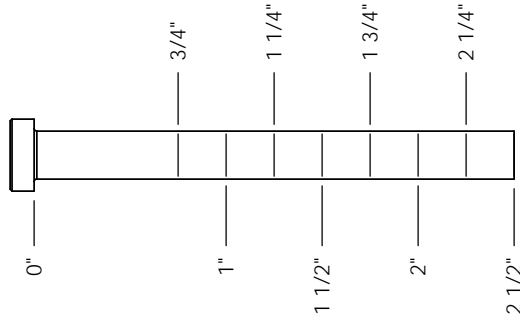
OWNER'S MANUAL

BOLT SIZING CHART LOW HEAD SOCKET HEAD CAP SCREW



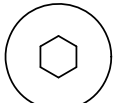
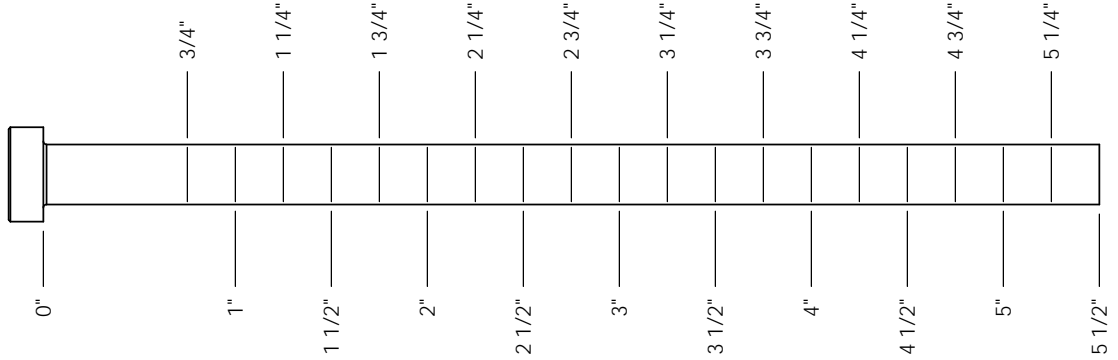
1/4"
LOW HEAD
SHCS

RECOMMENDED
TORQUE RANGE:
4-6 ft-lbs



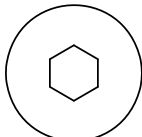
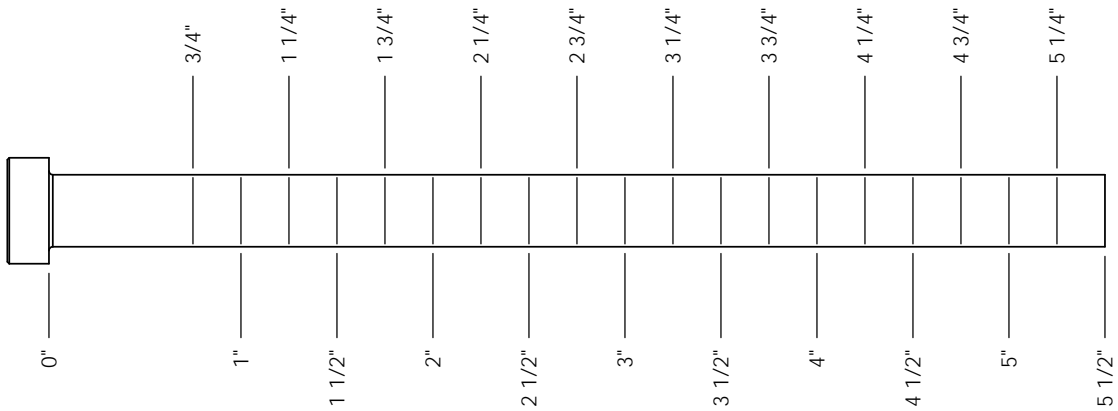
5/16"
LOW HEAD
SHCS

RECOMMENDED
TORQUE RANGE:
9-12 ft-lbs



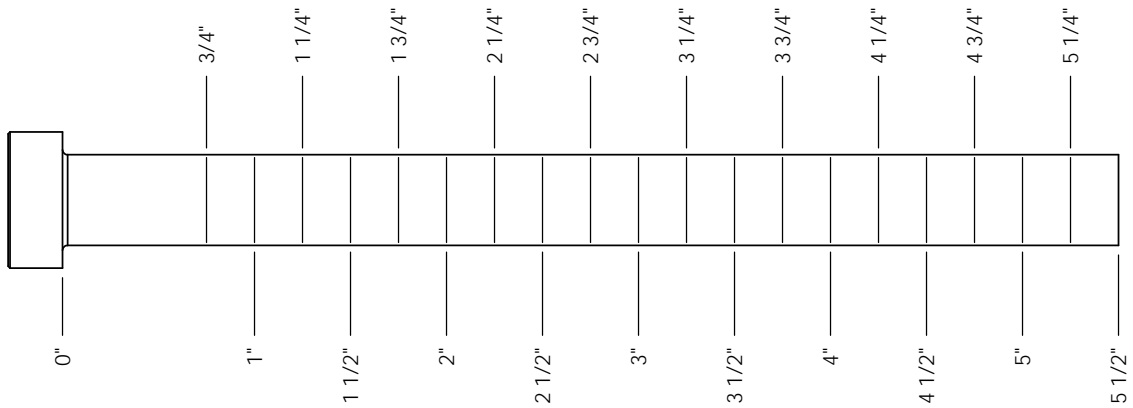
3/8"
LOW HEAD
SHCS

RECOMMENDED
TORQUE RANGE:
18-23 ft-lbs



1/2"
LOW HEAD
SHCS

RECOMMENDED
TORQUE RANGE:
40-50 ft-lbs

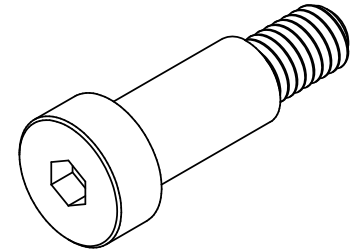
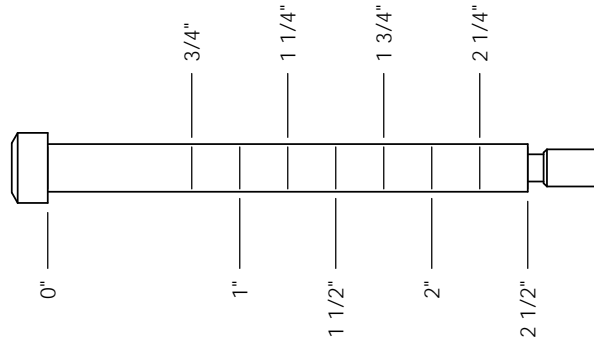


OWNER'S MANUAL

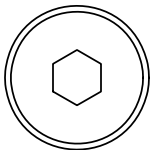
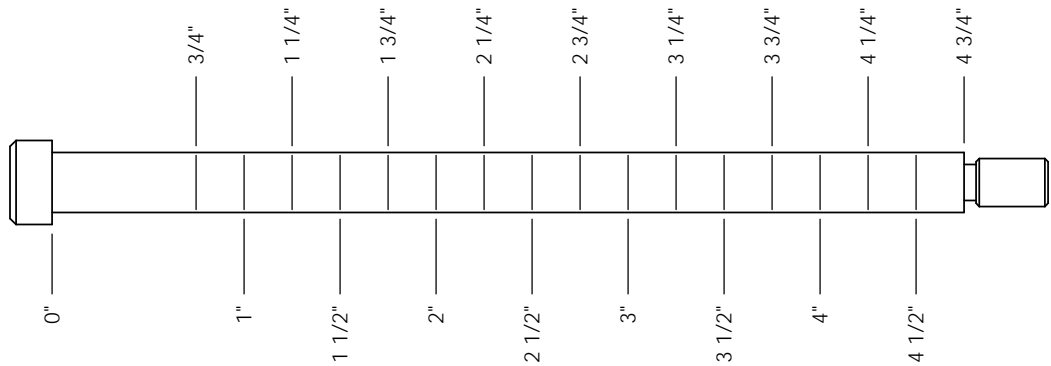
BOLT SIZING CHART SOCKET HEAD SHOULDER SCREW



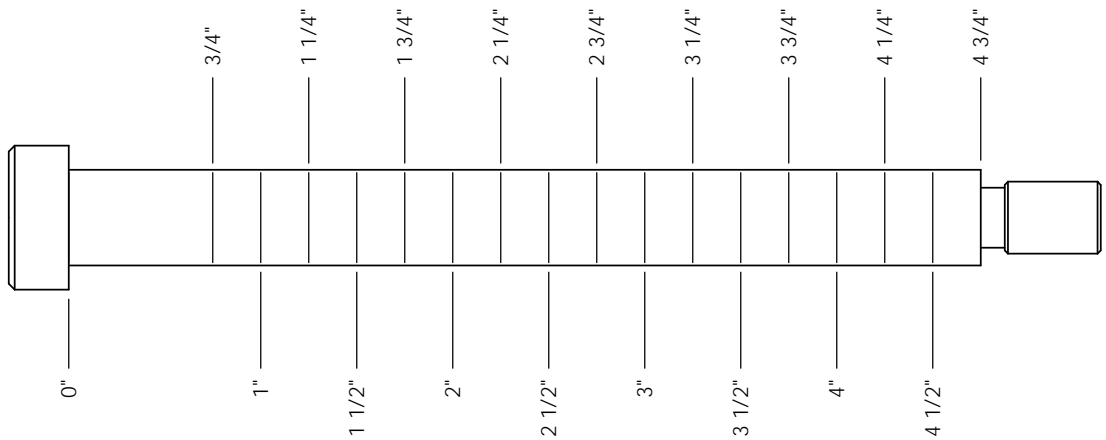
1/4" SHSS
RECOMMENDED
TORQUE RANGE:
3-4 ft-lbs



5/16" SHSS
RECOMMENDED
TORQUE RANGE:
8-10 ft-lbs



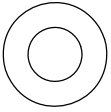
3/8" SHSS
RECOMMENDED
TORQUE RANGE:
17-22 ft-lbs



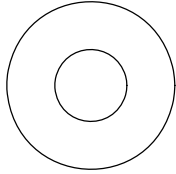
OWNER'S MANUAL

WASHER SIZING CHART

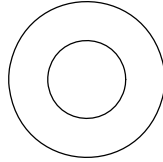
013-0002003
1/4"
FLAT WASHER
SMALL, SAE, 13mm



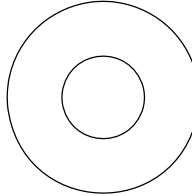
013-0102004
5/16"
FLAT WASHER
LARGE, USS, 22mm



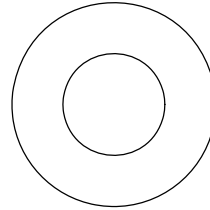
013-0002004
3/8"
FLAT WASHER
SMALL, SAE, 21mm



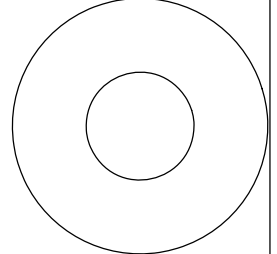
013-0402005
3/8"
FLAT WASHER
LARGE, USS, 25mm



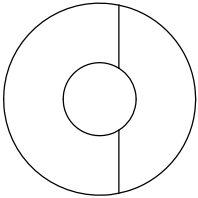
013-0102003
1/2"
FLAT WASHER
SMALL, SAE, 27mm



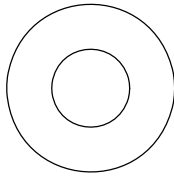
013-0102026
1/2"
FLAT WASHER
LARGE, USS, 34mm



013-0102028
3/8"
CURVED WASHER



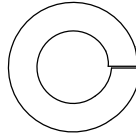
013-0402007
3/8"
FLAT WASHER
22mm O.D.



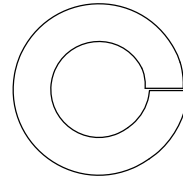
013-0102019
1/4"
LOCK WASHER



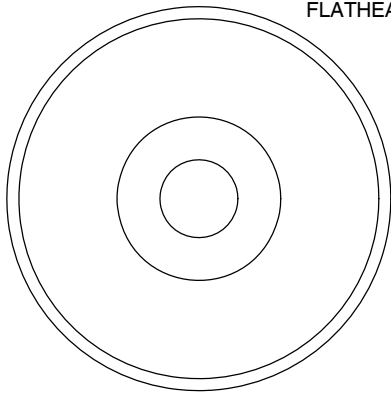
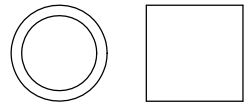
013-0102020
3/8"
LOCK WASHER



013-0102018
1/2"
LOCK WASHER



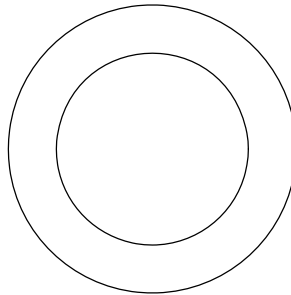
014-0018001
1/2" LONG
SPACER



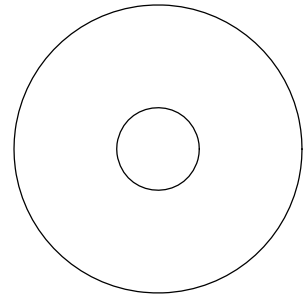
026-01M0238
2" ALUMINUM
FLATHEAD CAP



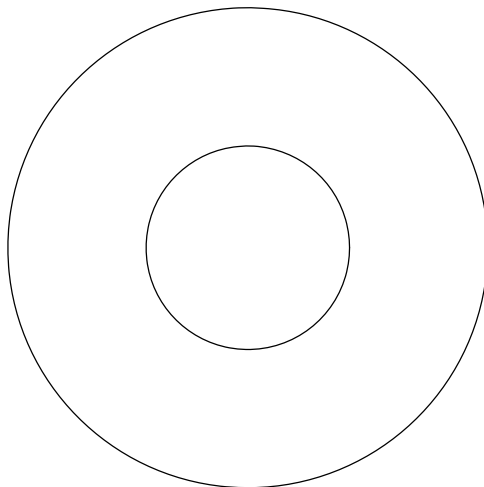
016-0009003
1" SHIM WASHER



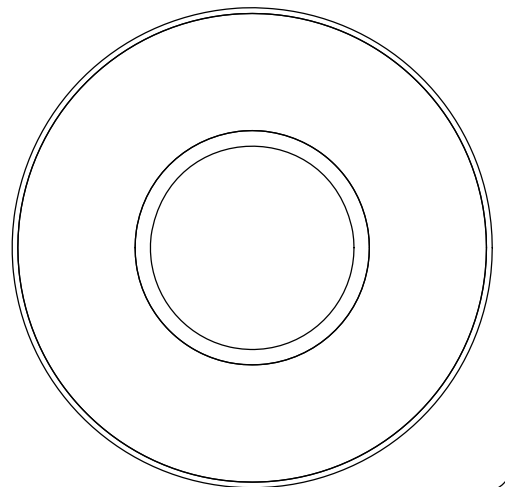
013-0003002
3/8" FENDER WASHER



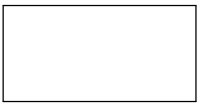
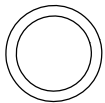
013-0003004
1 1/16"
FENDER WASHER



026-01PL151
PLASTIC 1 1/16"
FENDER WASHER



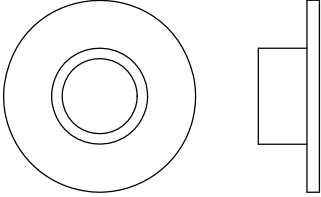
014-0018002
1" LONG
SPACER



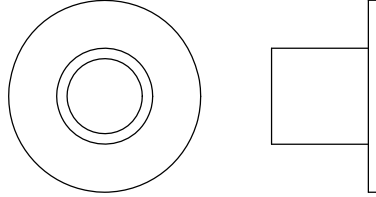
OWNER'S MANUAL

WASHER SIZING CHART (CONTINUED)

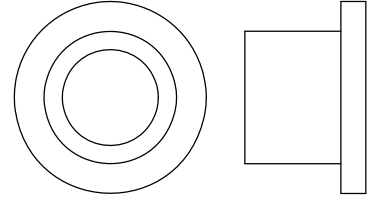
026-01M0211
1/4" LONG
FLANGED SPACER



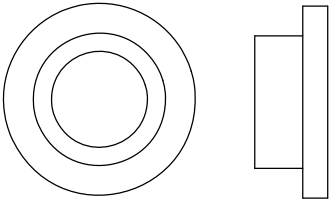
026-01M0198
1/2" LONG
FLANGED SPACER



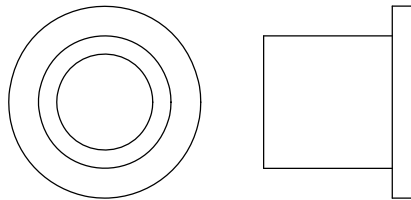
026-01M0760
1/2" LONG HEAVY
FLANGED SPACER



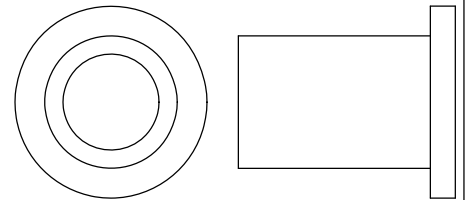
026-01M211T
1/4" LONG HEAVY
FLANGED SPACER



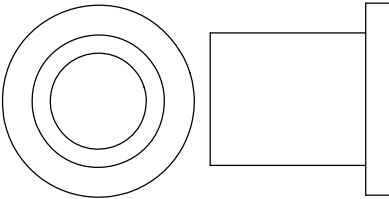
026-01M0532
11/16" LONG HEAVY
FLANGED SPACER



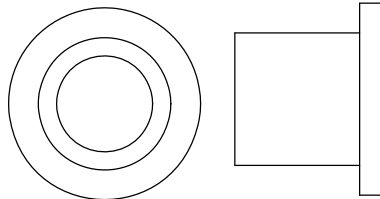
026-01M0551
1" LONG HEAVY
FLANGED SPACER



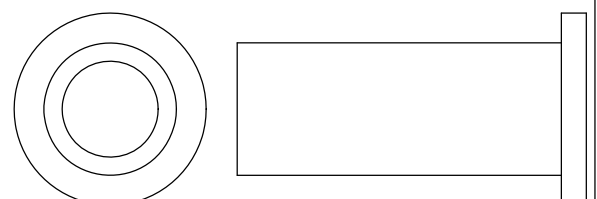
026-01M0788
.81" LONG HEAVY
FLANGED SPACER



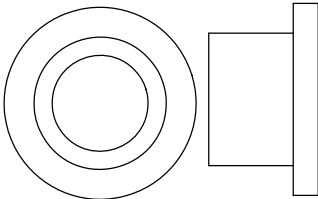
026-01M0780
.65" LONG HEAVY
FLANGED SPACER



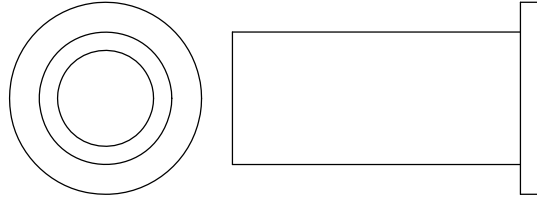
026-01M0761
1 11/16" LONG HEAVY
FLANGED SPACER



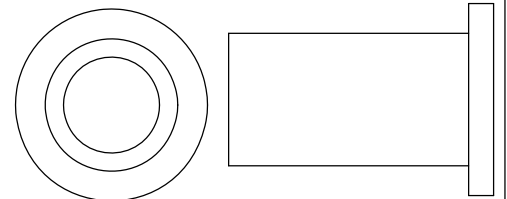
026-01M0789
.44" LONG HEAVY
FLANGED SPACER



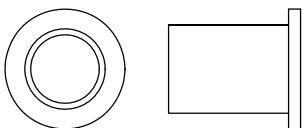
026-01M0762
1 1/2" LONG HEAVY
FLANGED SPACER



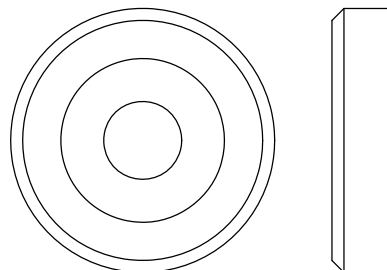
026-01M0768
1 1/4" LONG HEAVY
FLANGED SPACER



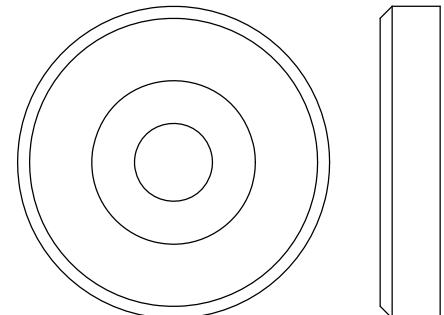
026-01M0600
.625" LONG
FLANGED SPACER



026-01M0240
1 3/8" ALUMINUM
FLATHEAD CAP



026-01M0239
1 5/8" ALUMINUM
FLATHEAD CAP



OWNER'S MANUAL

MAINTENANCE SCHEDULE

ROUTINE	COMMERCIAL / LIGHT COMMERCIAL MAINTENANCE	HOME MAINTENANCE	LATEST DATE ENTRY																				
Inspect; Links, Pull Pins, Snap Locks, Swivels, Weight Stack Pins	DAILY	WEEKLY																					
Clean; Upholstery	DAILY	WEEKLY																					
Inspect; Cables or Belts and their tension	DAILY	WEEKLY																					
Inspect; Accessory Bars, and Handles	WEEKLY	3 MONTHS																					
Inspect; All Decals	WEEKLY	3 MONTHS																					
Inspect; All Nuts and Bolts, Tighten if needed	WEEKLY	3 MONTHS																					
Inspect; Anti-Skid Surface	WEEKLY	3 MONTHS																					
Clean & Lubricate; Guide Rods with a Teflon (PTFE) based lubricant (Superlube)	MONTHLY	3 MONTHS																					
Lubricate; Seat Sleeves, Turcite Bushings, Linear Bearing	MONTHLY	3 MONTHS																					
Clean and Wax; All Glossy Finishes	6 MONTHS	YEARLY																					
Repack with Grease; Linear Bearings	6 MONTHS	YEARLY																					
Replace; Cables, Belts and Connecting Parts	YEARLY	3 YEARS																					

*Your equipment comes with a commercial maintenance decal.
For personal, in home use, please follow the home maintenance schedule listed above.*

*Never use ammonia, acid-based, or petroleum-based solvents on
any portion of the machine as it may damage the finish.*

OWNER'S MANUAL

HOIST FITNESS SYSTEMS **GENERAL MAINTENANCE INFORMATION**

Links, Pull-Pins, Snap Hooks, Swivels, Weight Stack Pins:

- *Check all pieces for signs of visible wear or damage.
- *Check springs in snap hooks and pull-pins for proper tension and alignment.
- *If the spring sticks or has lost its rigidity, replace it immediately.

Upholstery:

- *To ensure prolonged upholstery life and proper hygiene, all upholstered pads should be wiped down with a damp cloth after every workout.
- *Periodically take the time to use a mild soap or an approved vinyl upholstery cleaner to deter the onset of cracking or drying. Avoid using any abrasive cleaners or cleaners not intended for use on vinyl.
- *Replace ripped or worn upholstery immediately.
- *Keep sharp or pointed objects clear of all upholstery.

Decals:

- *Inspect and familiarize yourself with any safety warnings or other user information posted on each decal.

Nuts and Bolts:

- *Inspect all nuts and bolts for any loosening and tighten if needed.
- *Go through a re-tightening sequence periodically to ensure that all hardware is tensioned proper.

Anti-Skid Surfaces:

- *These surfaces are designed to supply secure footing and need to be replaced if they appear worn or become slippery.

Belts and Cables:

- *Hoist uses only high quality belt, and mil-spec cables.
- *Visually inspect the belts and cables for fraying, cracking, peeling or discoloration.
- *While the machine is not in use, carefully run your fingers along the belt or cable to feel for thinning or bulging areas.
- *Replace belts and cables immediately at the first signs of damage or wear. Do not use equipment until belts or cables have been replaced.

Belt and Cable Tension:

- *Referring to the Owners Manual, when belts or cables are used check all bolts attachments to be sure they are properly attached.
- *Check slack in cables and re-adjust cable tension if needed.

Seat Sleeves, Guide Rods:

- *Wipe down adjusting tubes with a dust free rag before applying lubricant.
- *Lubricate seat sleeves and Guide Rods with a Silicon or Teflon based lubricant spray.

Linear Bearings:

- *Referring to the Owners Manual carefully disassemble the bearing from its housing and place a finger full of light grease (lithium, super lube, etc.) into the inside of the bearing. Using your finger, press the grease into the ball-bearings and their tracks. repeat until the ball-bearing tracks are full of grease. Insert the shaft back into the bearing and wipe off excess grease.

PLEASE KEEP THIS FOR YOUR RECORDS

OWNER'S MANUAL

WEIGHT TRAINING TIPS

Use this manual to guide you through the basic exercises you can perform on your RPL-5601 HOIST® Fitness System. To gain maximum results and avoid possible injury, consult a fitness professional to develop your complete exercise program.

Always consult your physician before starting any exercise program.

To be successful in your exercise program, it is important to develop an understanding of the basic principles of strength training. Now that you have your RPL-5601 HOIST® Fitness System, it is only natural that you want to get started immediately. First, determine a set of realistic goals and objectives for yourself. By deciding on an exercise plan that is right for you prior to starting, you will contribute significantly to your success.

Warm up properly before engaging in weight resistance training. Stretching, yoga, jogging, calisthenics or other cardiovascular exercise can help prepare your body for the heavier workload of lifting weights.

Learn how to perform the exercise correctly before using heavy weight. Correct form is important to avoid injury and to ensure that you work the proper muscle groups.

Know your limitations. If you are new to weight training or are embarking on an exercise regimen after a long layoff, start slowly and build foundational strength over a longer period of time.

Pay attention to your breathing. Exhale when you exert is a general rule of thumb. Never hold your breath.

Enjoy your RPL-5601 HOIST® Fitness System!

OWNER'S MANUAL

HOIST FITNESS SYSTEMS **LIMITED LIFETIME WARRANTY**

Hoist Fitness Systems warrants this product to the **original purchaser** to be free from defects in workmanship and/or materials under normal use or service. If at any time a component part is defective, Hoist Fitness Systems shall repair or replace it (at Hoist Fitness Systems option) within a reasonable period of time. This warranty does not cover costs of removal, transportation or reinstallation. This warranty shall not apply if the defect was caused by misuse, neglect or normal wear and tear.

WARRANTY CLAIMS. All claims require: Model number, Serial number, Date of installation, and any information supporting the existence of the alleged defect.

To complete Warranty Registration visit:
www.HOISTFITNESS.com
and click on the Warranty Registration link

Starting from the original date of purchase, normal wear and tear shall be considered as the following:

COMMERCIAL USE: All malfunctions of upholstery, grips, and coatings that occur up to one year; all malfunctions of belts, or cables up to one year; all malfunctions of pulleys, bearings, or bushings that occur up to three years. The frame and body components are warranted for ten years, with structural moving parts warranted for five years.

LIGHT COMMERCIAL USE: All malfunctions of upholstery, grips, and coatings that occur up to one year; all malfunctions of belts, or cables up to one year; all malfunctions of pulleys, bearings, or bushings that occur up to three years. The frame and body components are warranted for ten years, with structural moving parts warranted for five years.

HOME USE: All malfunctions of grips, paint, and chrome that occur up to ten years; all malfunctions of electronic components, belts, cables, or upholstery that occur up to ten years; all malfunctions of pulleys, bearings, or bushings that occur up to ten years. The frame and all welded components are warranted for the life of the product.

PLEASE NOTE THAT NOT ALL HOIST PRODUCTS ARE MADE FOR COMMERCIAL USE. Refer to the instructions page of your owners manual or consult with you fitness product dealer to establish if a product is made for commercial use or not. Using a non-commercial product in a commercial setting can result in serious injury or death! Hoist Fitness Systems sole responsibility shall be to repair or replace the component within the terms stated above. Hoist Fitness Systems shall not be liable for any loss or damage of any kind including any incidental or consequential damages resulting, directly or indirectly from any warranty expressed or implied or any other failure of this product.

LIGHT COMMERCIAL USE: Our Light Commercial warranty applies to facilities that **DO NOT** charge monthly membership dues and where the equipment would be used by **no more than 50** people per day. Examples of Light Commercial facilities include hotels, apartment complexes, personal training studios, fire stations, police stations, etc., that meet the criteria stated above.

WHAT IS NOT COVERED BY THIS WARRANTY: Hoist's sole obligation under this warranty is limited to either repair or replacement of parts, subject to the additions below. This warranty neither assumes nor authorizes any person to assume obligations other than expressly covered by this warranty.

NO CONSEQUENTIAL DAMAGES: Hoist is not responsible for economic loss; profit loss; or special, indirect, or consequential damages.

WARRANTY IS NOT TRANSFERABLE: This warranty is not assignable and applies only in favor of the original purchaser/user to whom delivered. Any such assignment or transfer shall void the warranties herein made and shall void all warranties, expressed, implied or statutory, except the one (1) and five (5) year warranties described above. These warranties are exclusive and in lieu of all other warranties, including implied warranty and merchantability or fitness for a particular purpose. There are no warranties which extend beyond the description on the face hereof.

TRANSPORTATION COSTS: Hoist will accept parts covered under this warranty freight collect, provided that shipment has received prior approval. Hoist is not responsible for any other transportation costs, but will ship freight collect parts either repaired or replaced under these warranties.

Hoist Fitness Systems
11900 Community Rd.
Poway, CA. 92064
(800)548-5438

PLEASE KEEP THIS FOR YOUR RECORDS