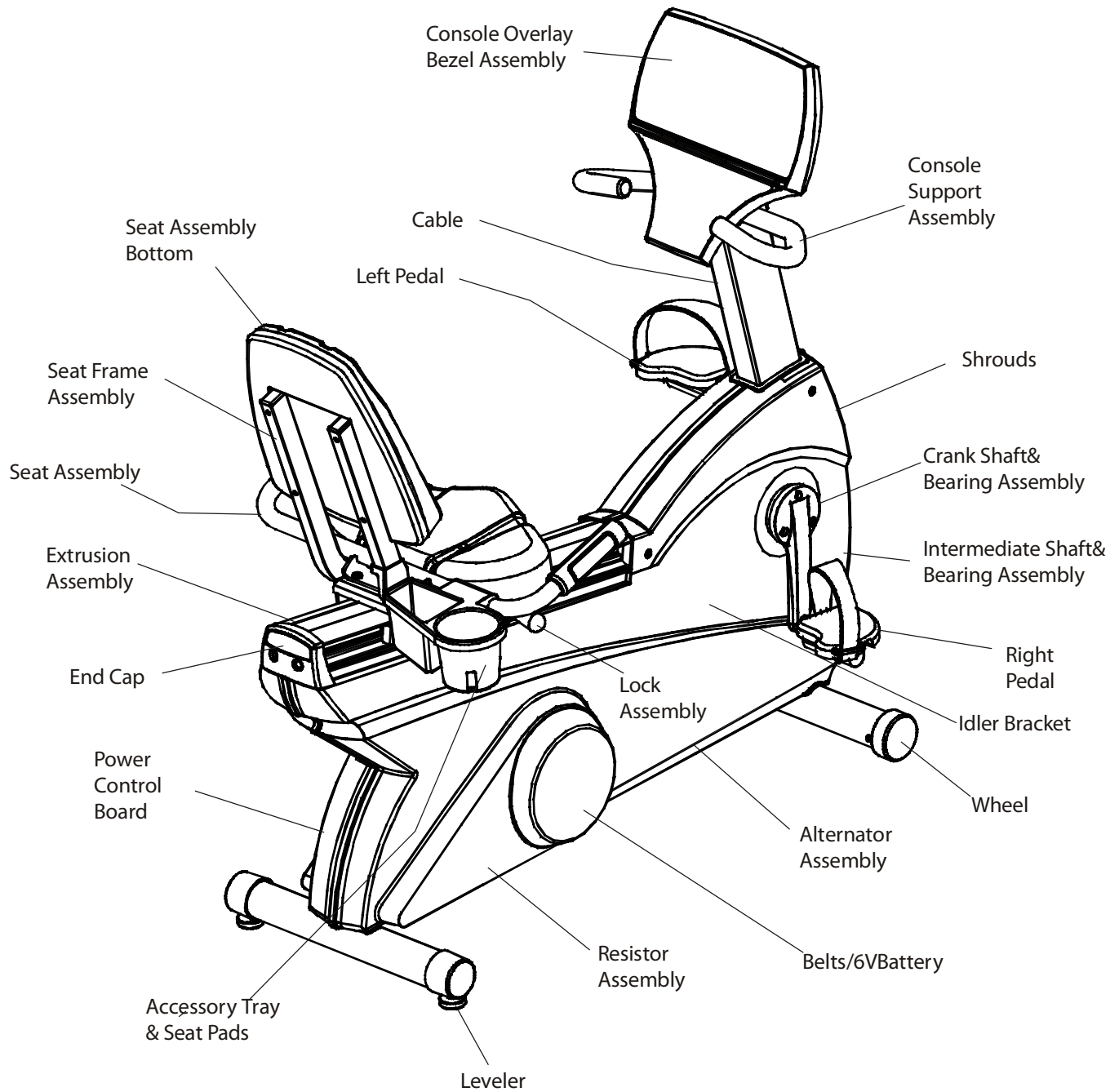
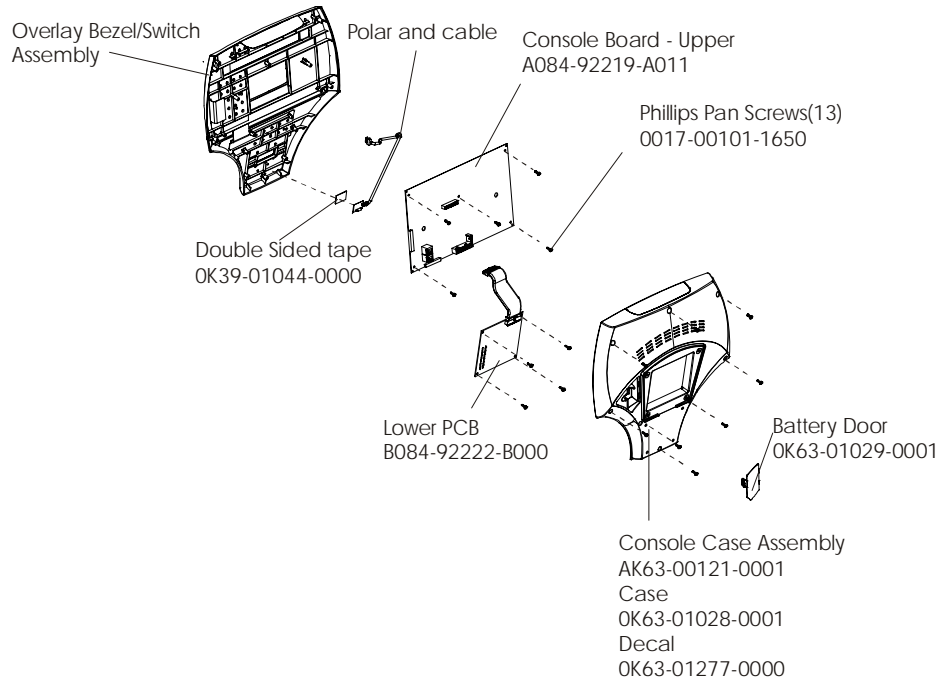


Life Cycle 95R
General Assembly

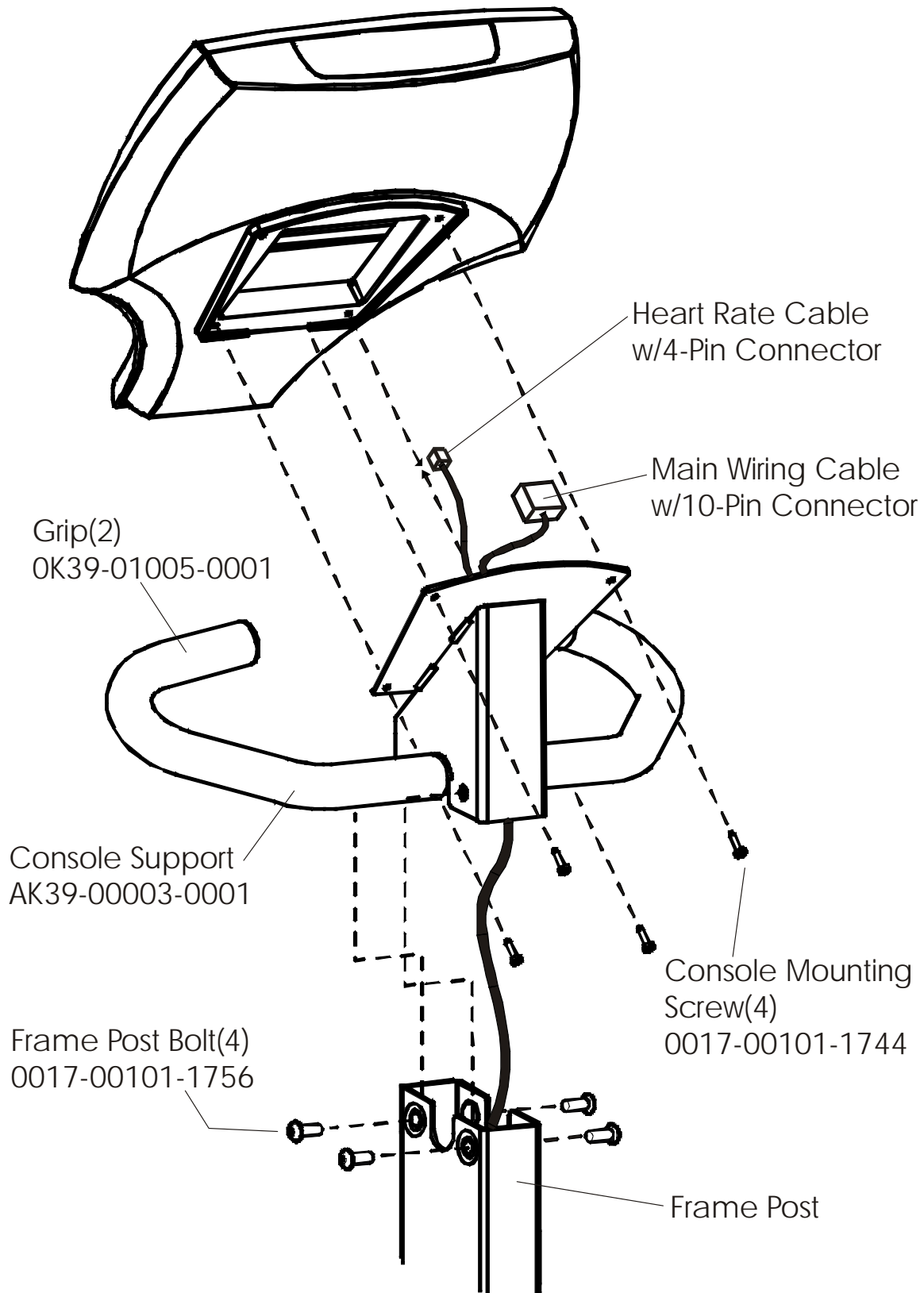
95R-0XXX-01
S/N LRI10001



Description	Part Number
Service Manual	M051-00K39-A012
Operation Manual	M051-00K39-A016
Hardware Bag	GK39-00002-00008
Power Option Kit 120V	GK39-00002-00002
Power Option Kit 220/50V	GK39-00002-00004
Power Option Kit 240V+AUS	GK39-00002-00005
Power Option Kit 220/50V	GK39-00002-00006

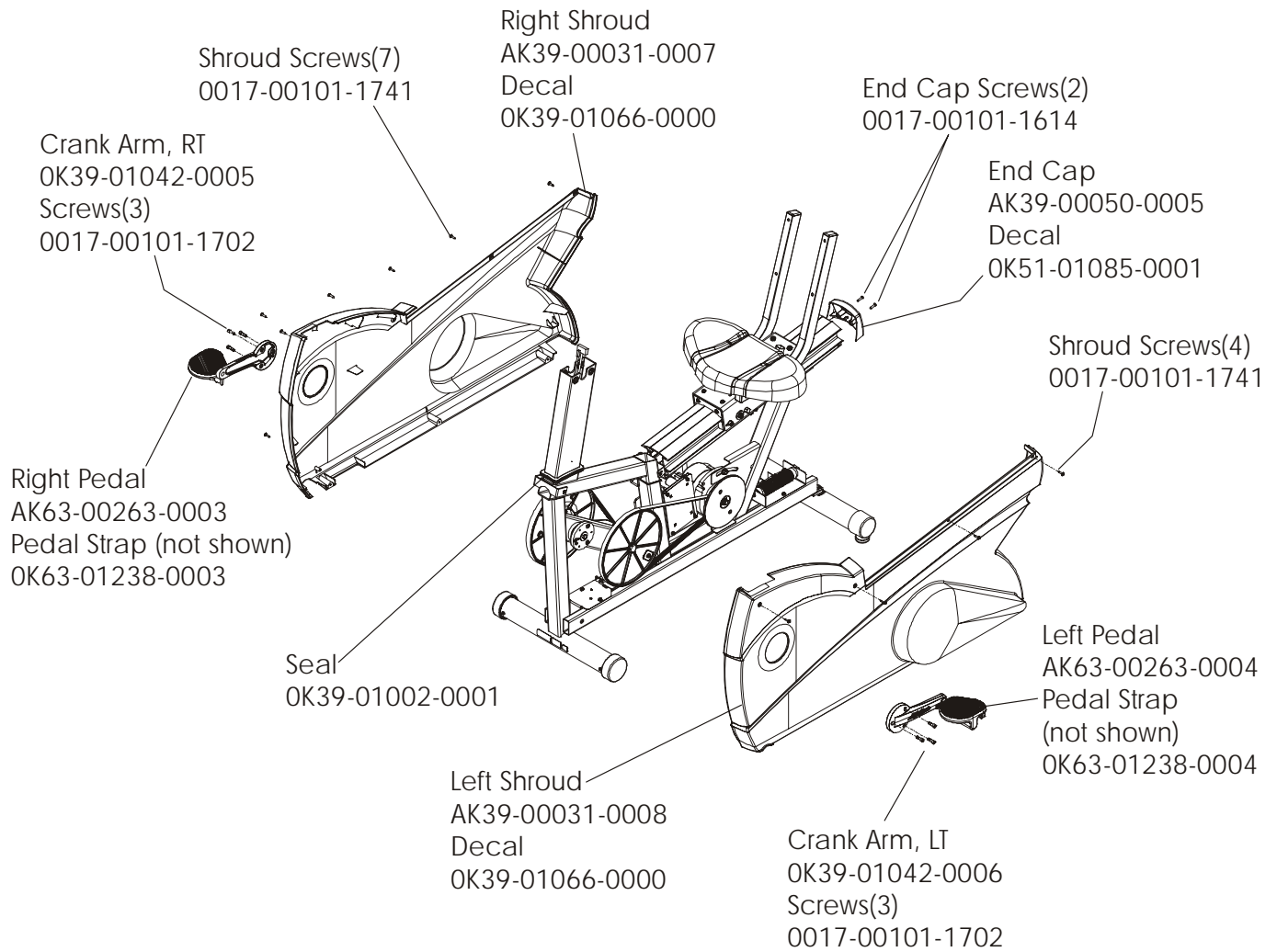


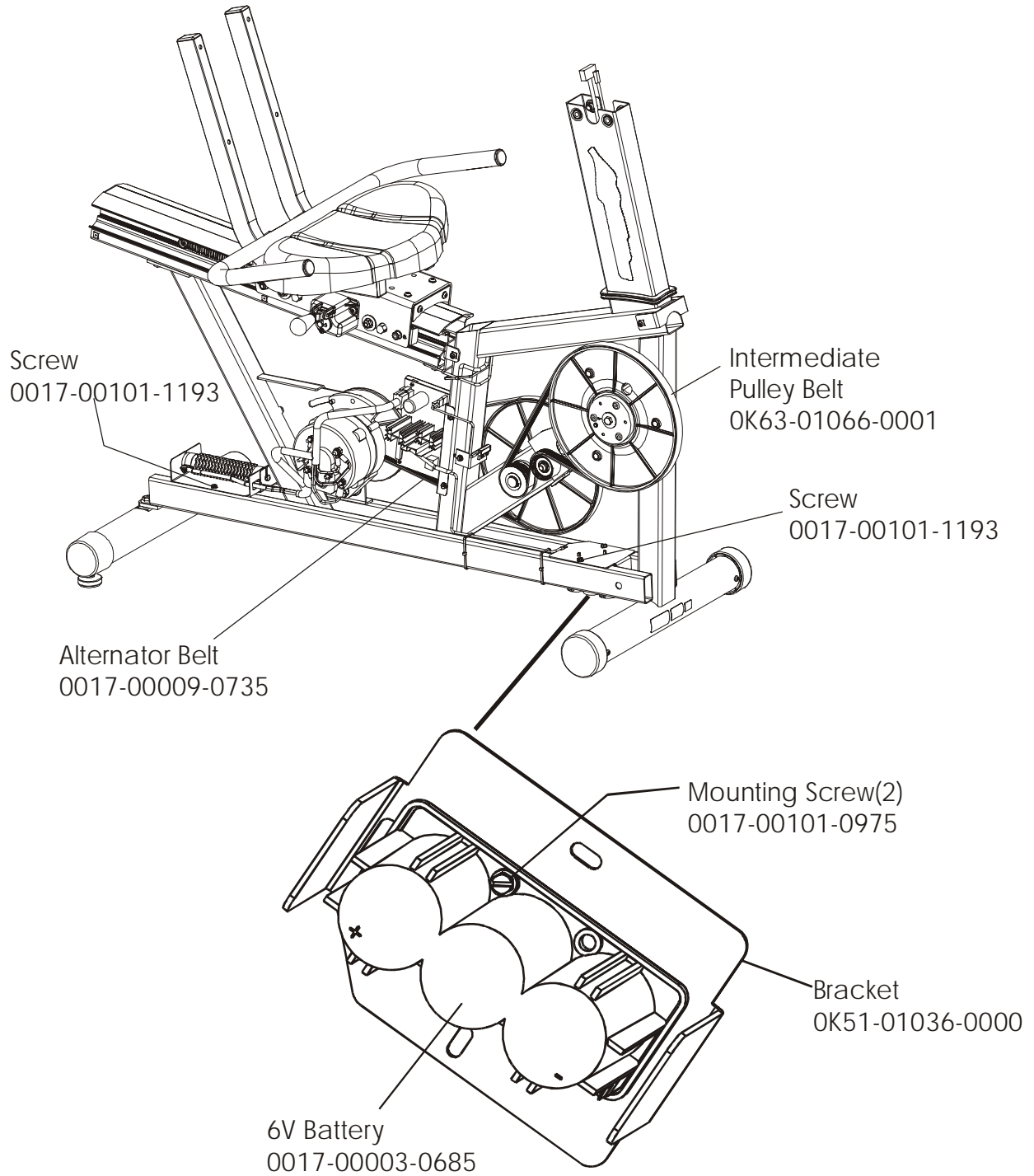
Console Assembly	Overlay Bezel
AK39-00070-0001 Eng Met	AK63-00165-0001 Eng Met
AK39-00070-0003 Ger Met	AK63-00165-0003 Ger Met
AK39-00070-0004 Spn Met	AK63-00165-0004 Spn Met
AK39-00070-0006 Jap Met	AK63-00165-0006 Jap Met
AK39-00070-0007 Frn Met	AK63-00165-0007 Frn Met
AK39-00070-0008 Itl Met	AK63-00165-0008 Itl Met
AK39-00070-0009 Dut Met	AK63-00165-0009 Itl Met
AK39-00070-0010 Por Met	AK63-00165-0010 Por Met

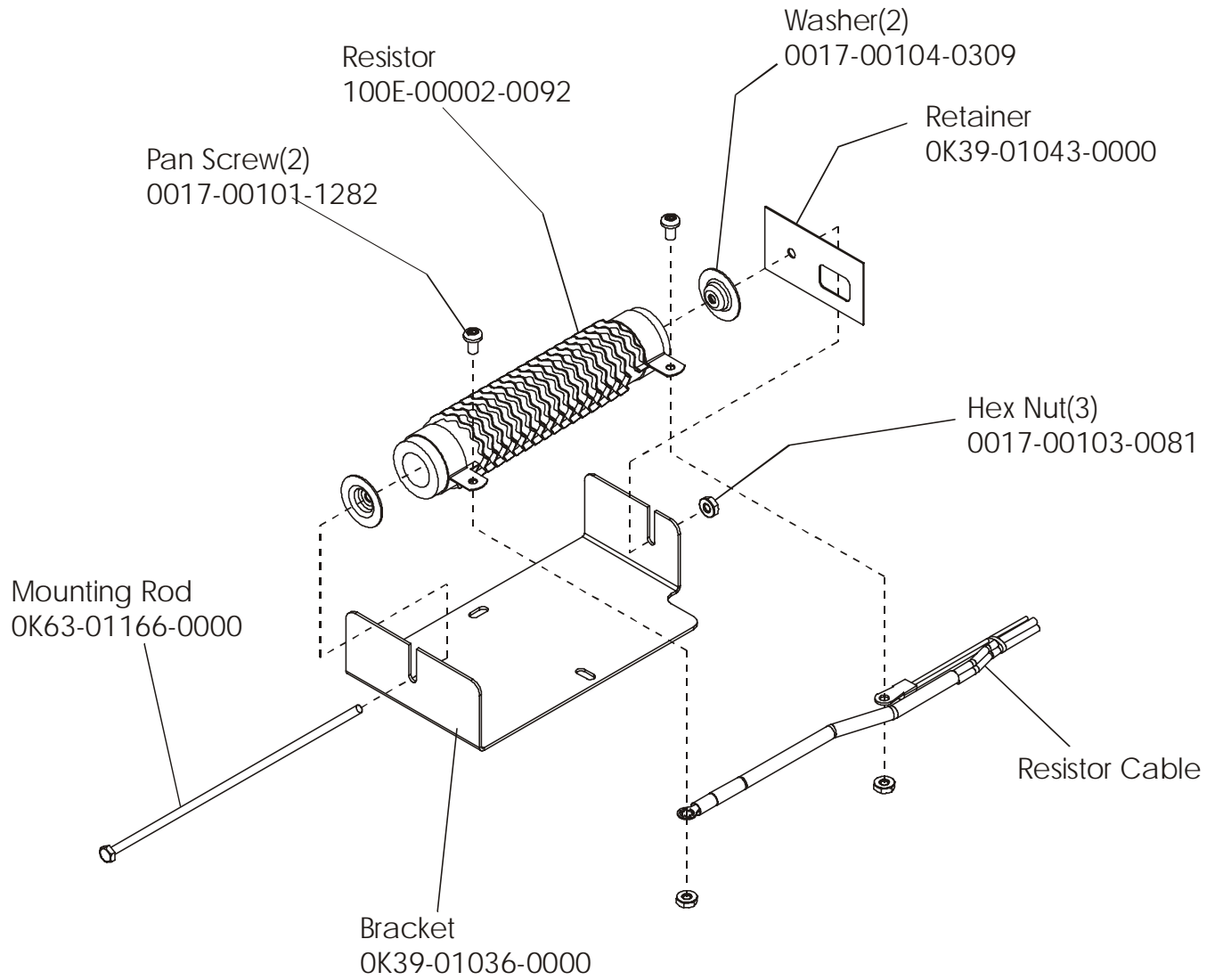


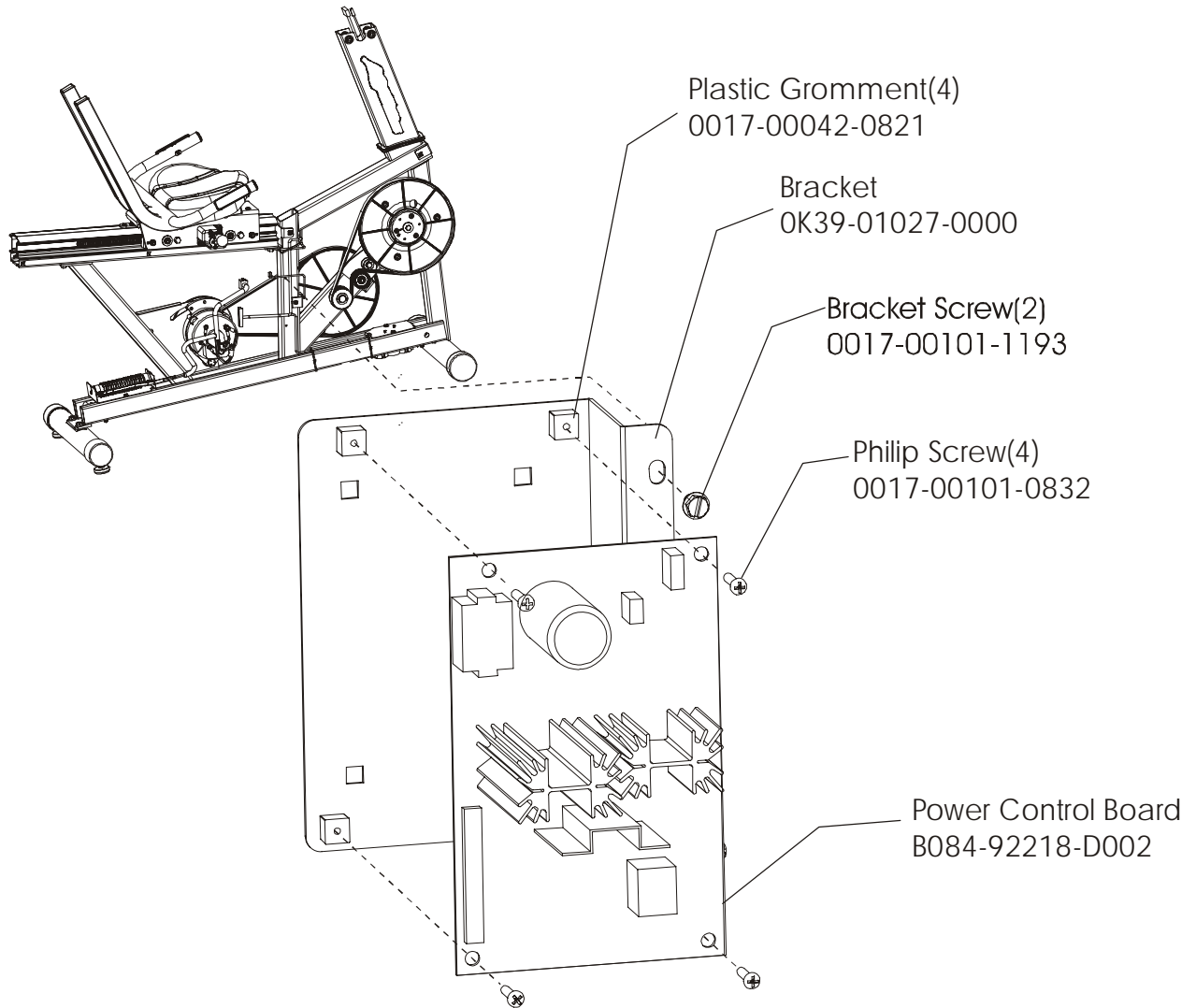
Life Cycle 95R
Shrouds, End Cap, Crank Arm

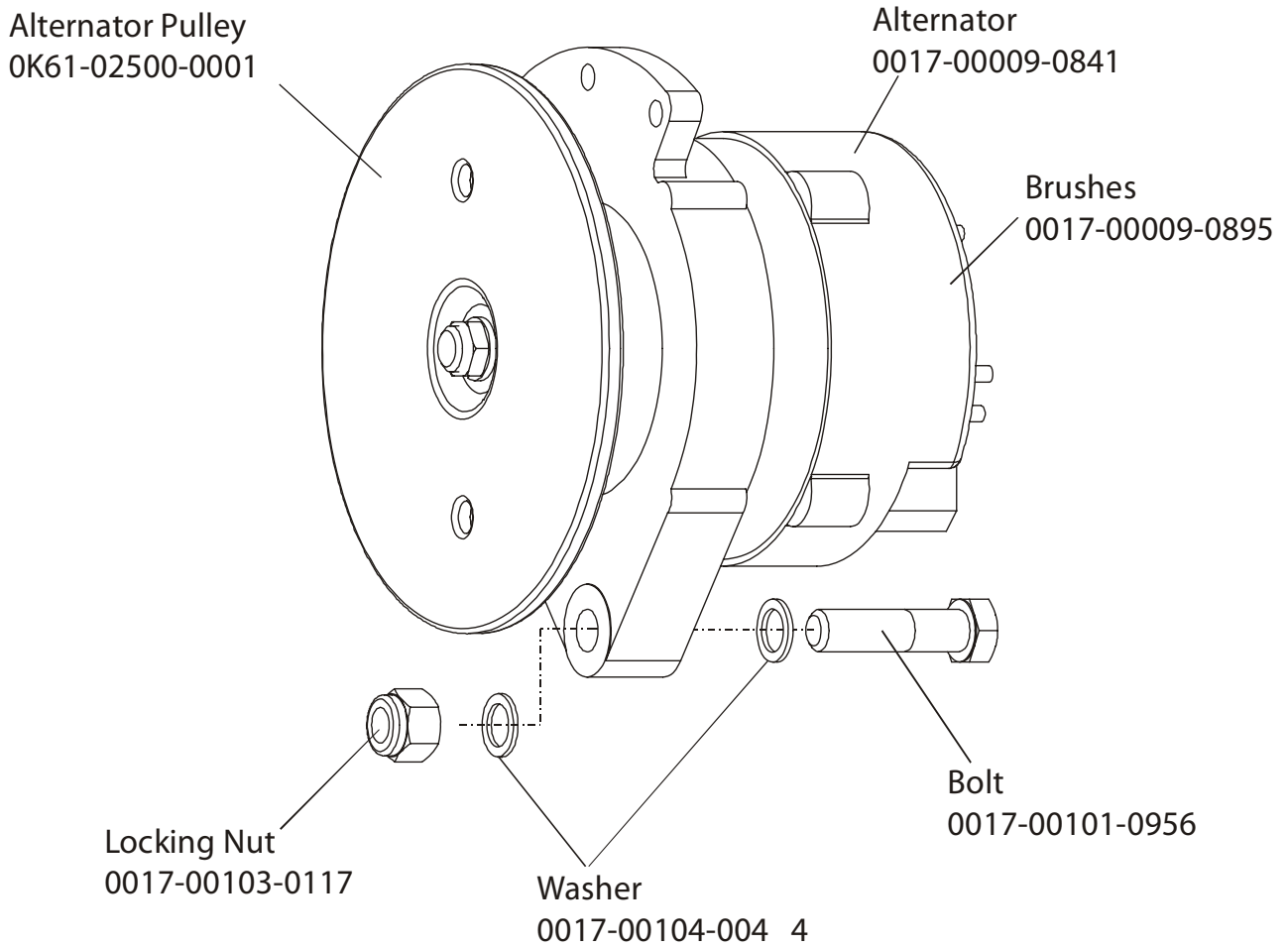
95R-0XXX-01
S/N LRI10001





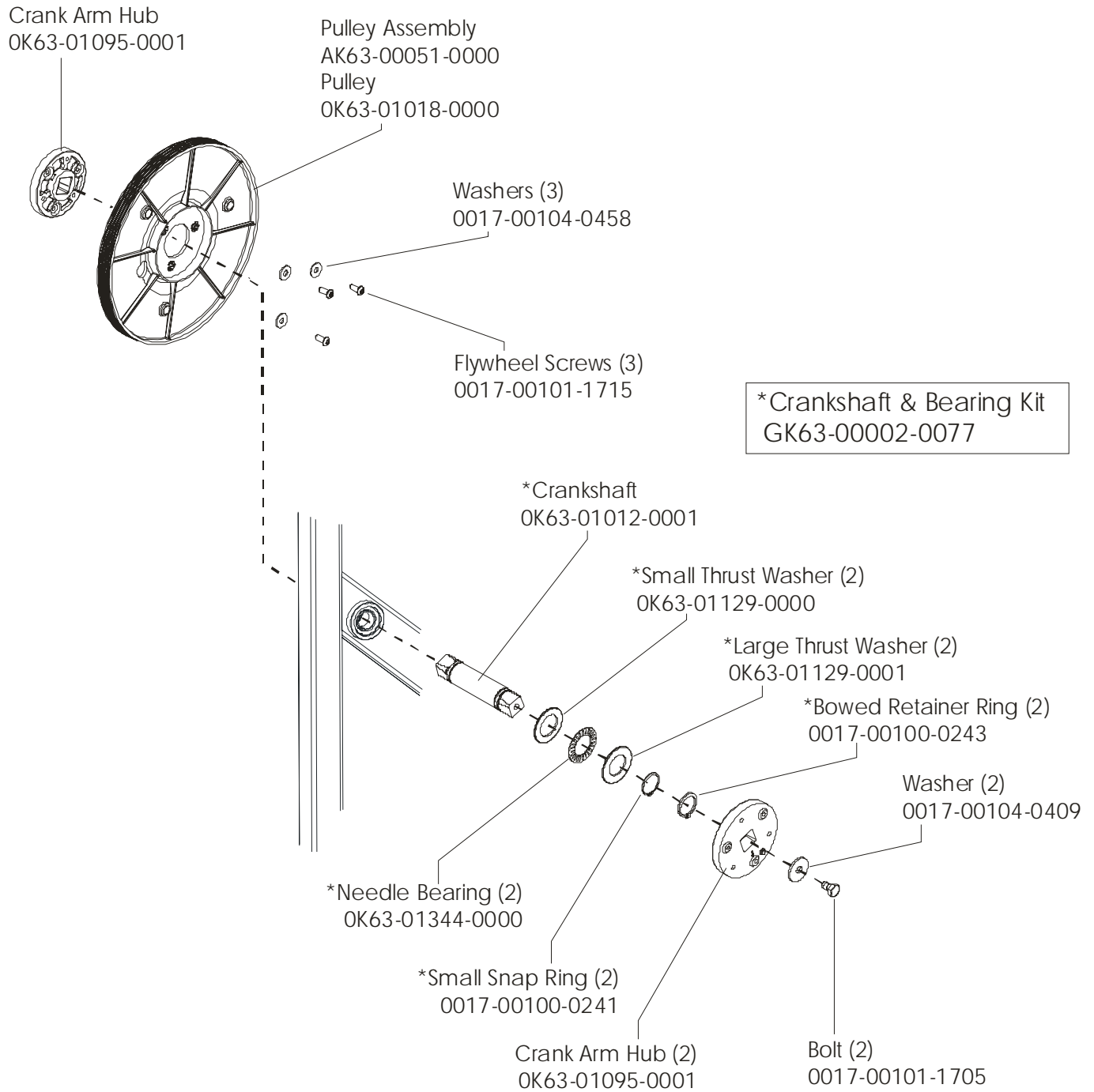






Life Cycle 95R
Crank Shaft and Bearing Assembly

95R-0XXX-01
S/N LRI10001

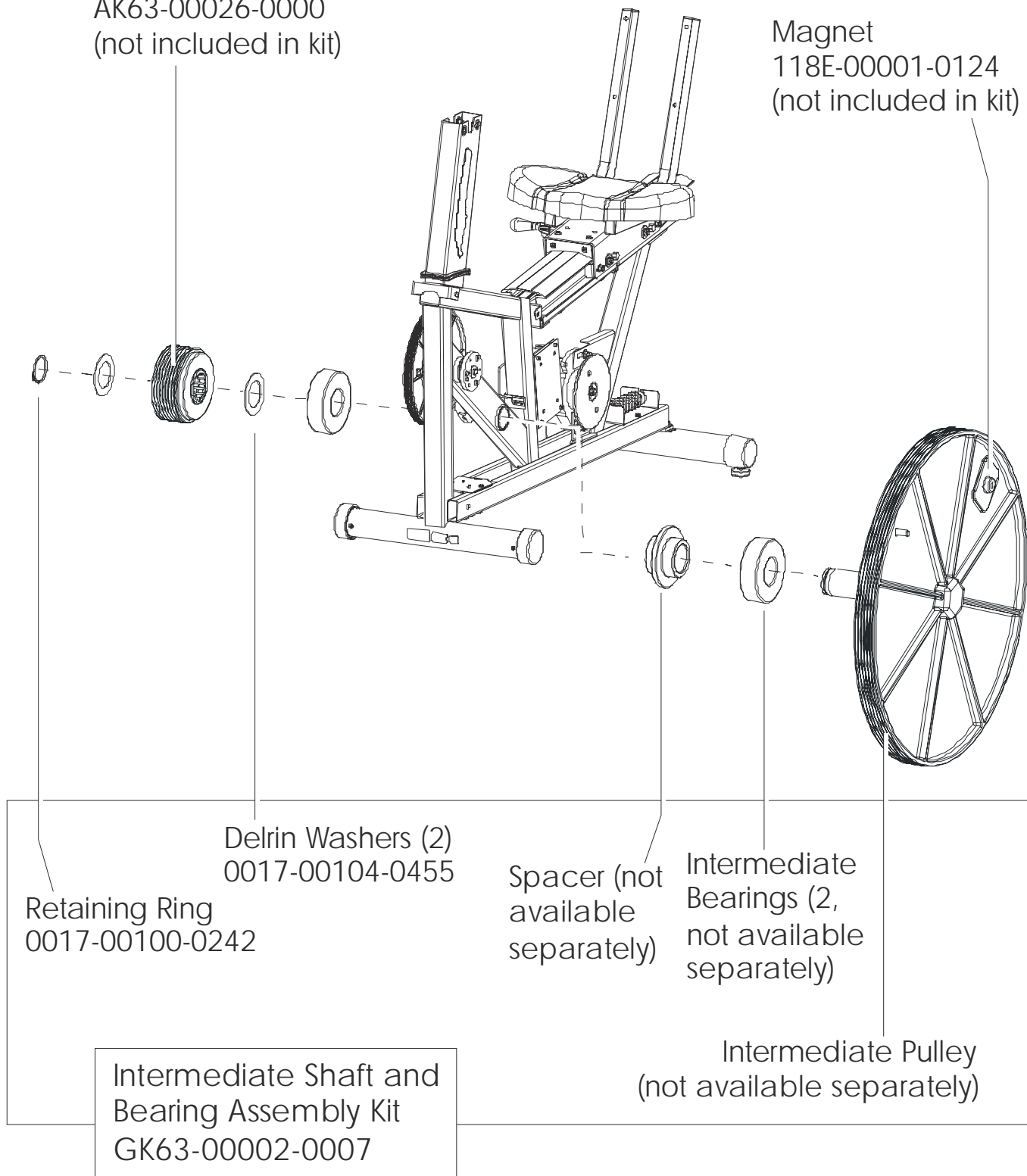


Life Cycle 95R
Intermediate Shaft and Bearing Assembly

95R-0XXX-01
S/N LRI10001

Clutch Assembly
AK63-00026-0000
(not included in kit)

Magnet
118E-00001-0124
(not included in kit)



Retaining Ring
0017-00100-0242

Delrin Washers (2)
0017-00104-0455

Spacer (not
available
separately)

Intermediate
Bearings (2,
not available
separately)

Intermediate Pulley
(not available separately)

Intermediate Shaft and
Bearing Assembly Kit
GK63-00002-0007

