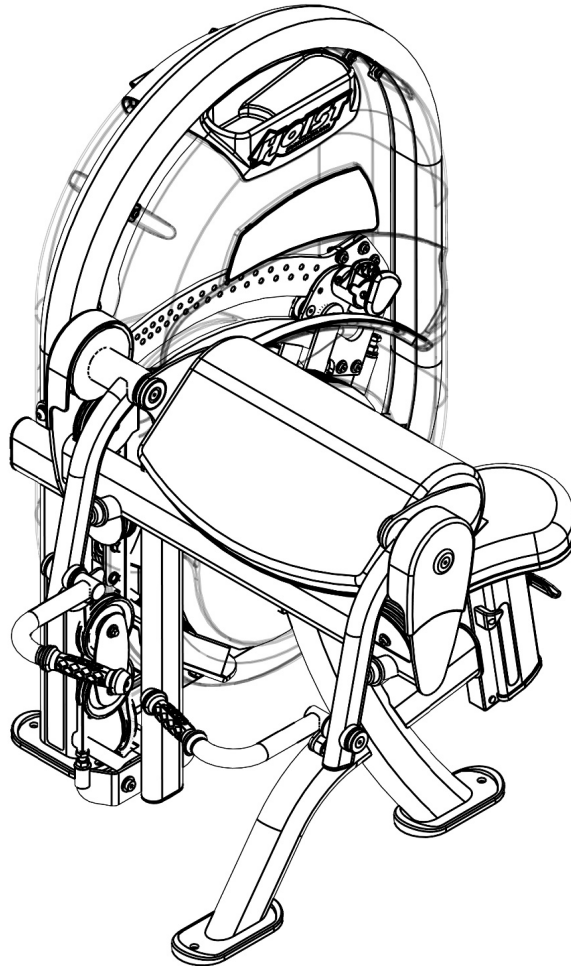


OWNER'S MANUAL



CL-3102

INDEPENDENT BICEP CURL



****WARNING!****

TO PREVENT POSSIBLE TIPPING, BOLT THIS UNIT TO THE EXERCISE FLOOR USING MINIMUM 4-1/2" LENGTH BOLTS. FAILURE TO DO SO MAY RESULT IN SERIOUS INJURY OR DEATH.

Note: Both Serial Number and Model Number are Required when Ordering Parts

RECORD SERIAL NUMBER HERE

MACHINE CODE

Customer Service

(800) 548-5438

(858) 578-7676

Fax

(858) 578-9558



www.facebook.com/hoistfitness

OWNER'S MANUAL

CONTENTS

INSTRUCTIONS.....	02
FRAME ASSEMBLY.....	04
PRE-ASSEMBLY.....	23
DECAL PLACEMENT.....	26
DECAL REFERENCE.....	27
PART LIST.....	28
ABBREVIATIONS.....	31
BOLT SIZING CHART.....	32
WASHER SIZING CHART.....	33
MAINTENANCE SCHEDULE.....	35
GENERAL MAINTENANCE INFORMATION.....	36
WEIGHT TRAINING TIPS.....	37
WEIGHT RATIOS.....	38
EXERCISE LOG.....	39
LIMITED WARRANTY.....	40

OWNER'S MANUAL

INSTRUCTIONS

Before beginning assembly please take the time to read instructions thoroughly. Please use the various lists in this manual to make sure that all parts have been included in your shipment. When ordering, use part number and description from the lists. Use only HOIST replacement parts when servicing. Failure to do so will void your warranty and could result in personal injury.

HOIST equipment is designed to provide the smoothest, most effective exercise motion possible. After assembly, you should check all functions to ensure correct operation. If you experience problems, first recheck the assembly instructions to locate any possible errors made during assembly. If you are unable to correct the problem, call your authorized HOIST dealer. Be sure to have your serial number and this manual when calling. When all parts have been accounted for, continue on.

TOOLS REQUIRED

Ratchet Wrench

1/2", 9/16" and 3/4" Sockets

Adjustable Wrench

Rubber Mallet

Tape Measure

Level

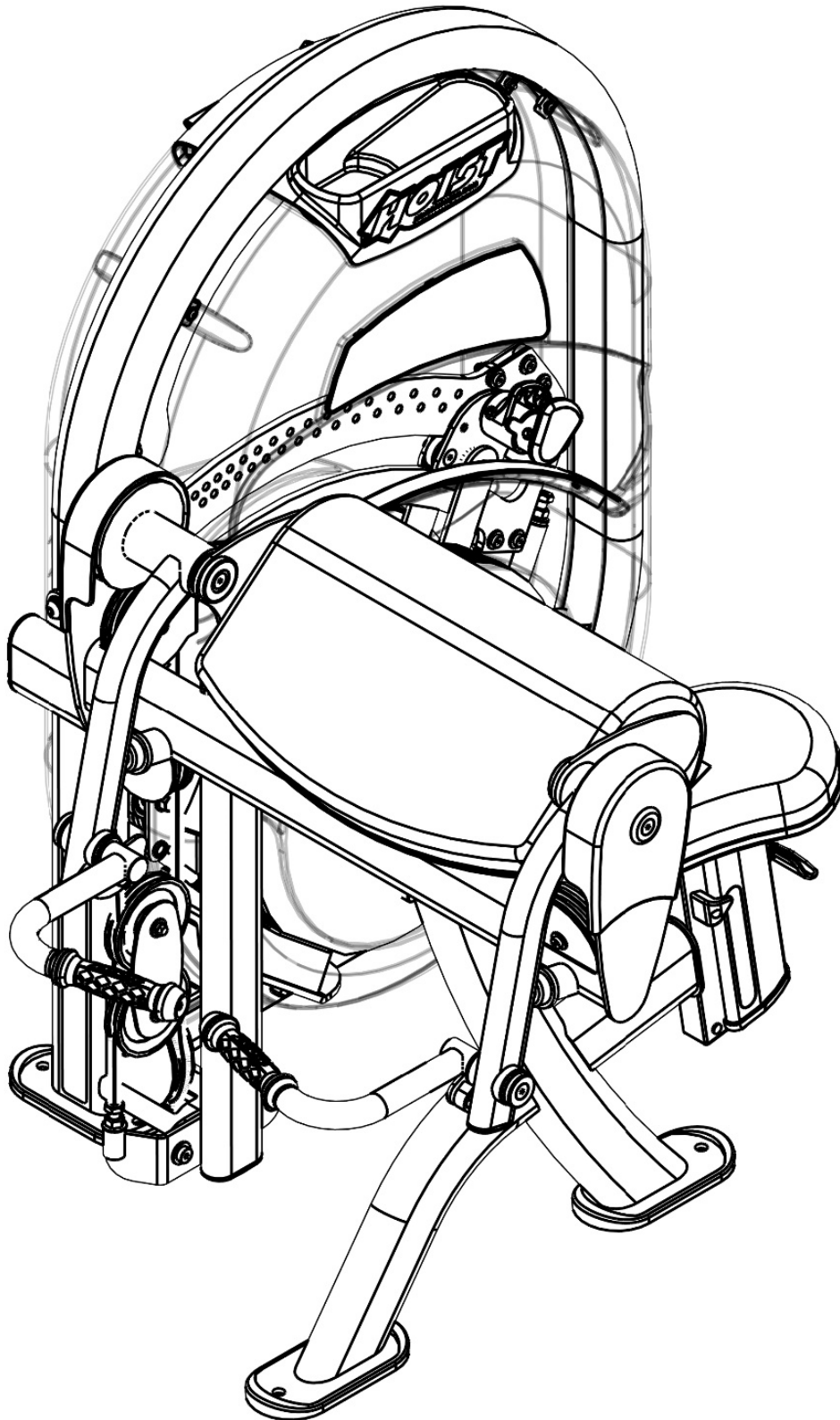
SAE Hex Key Wrench Set

Two People

OWNER'S MANUAL

THIS PAGE WAS INTENTIONALLY LEFT BLANK

FRAME ASSEMBLY

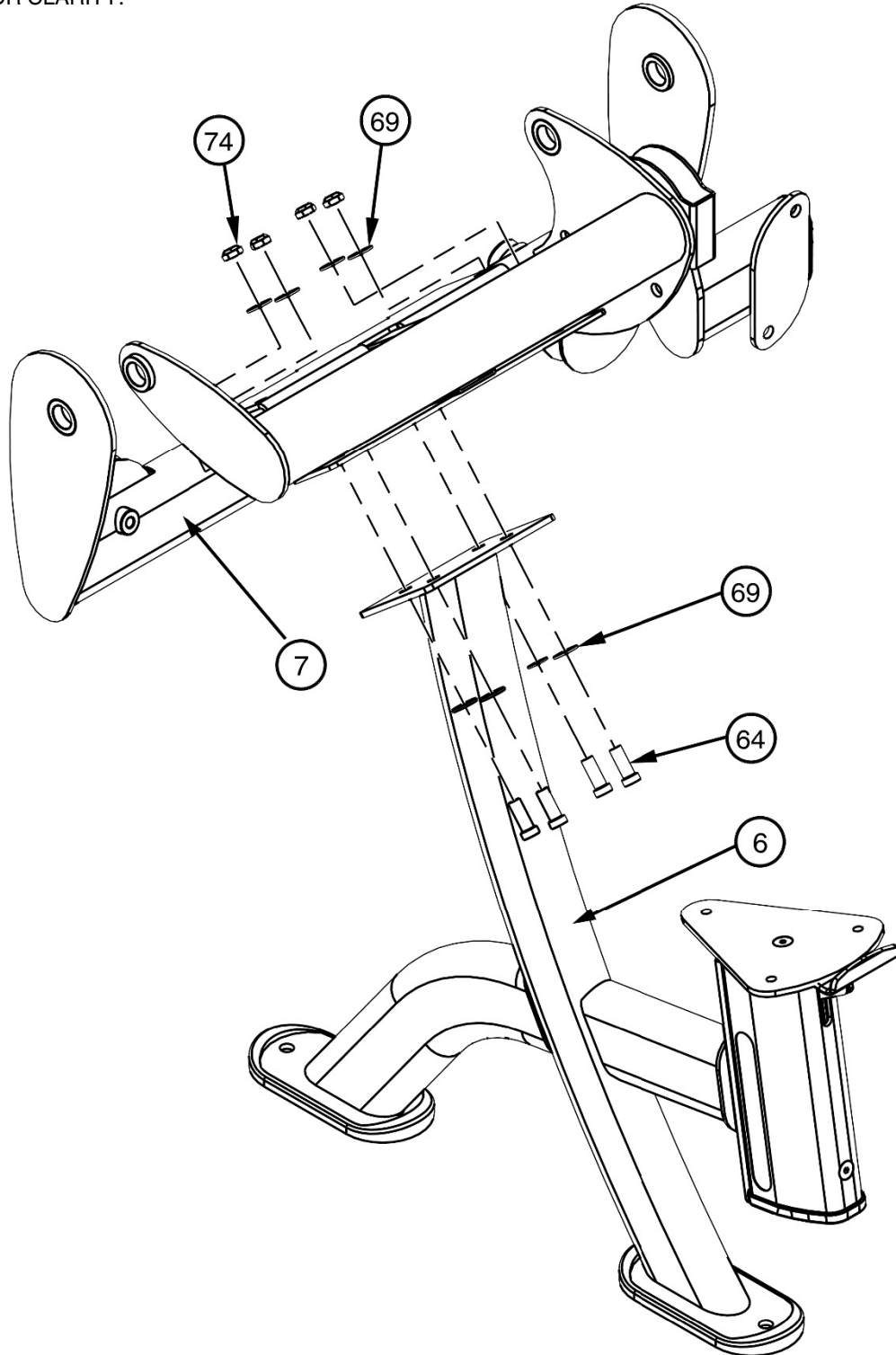


OWNER'S MANUAL

FRAME ASSEMBLY

NOTE:

- HAND TIGHTEN HARDWARE.
- SOME PARTS MAY HAVE BEEN REMOVED FOR CLARITY.

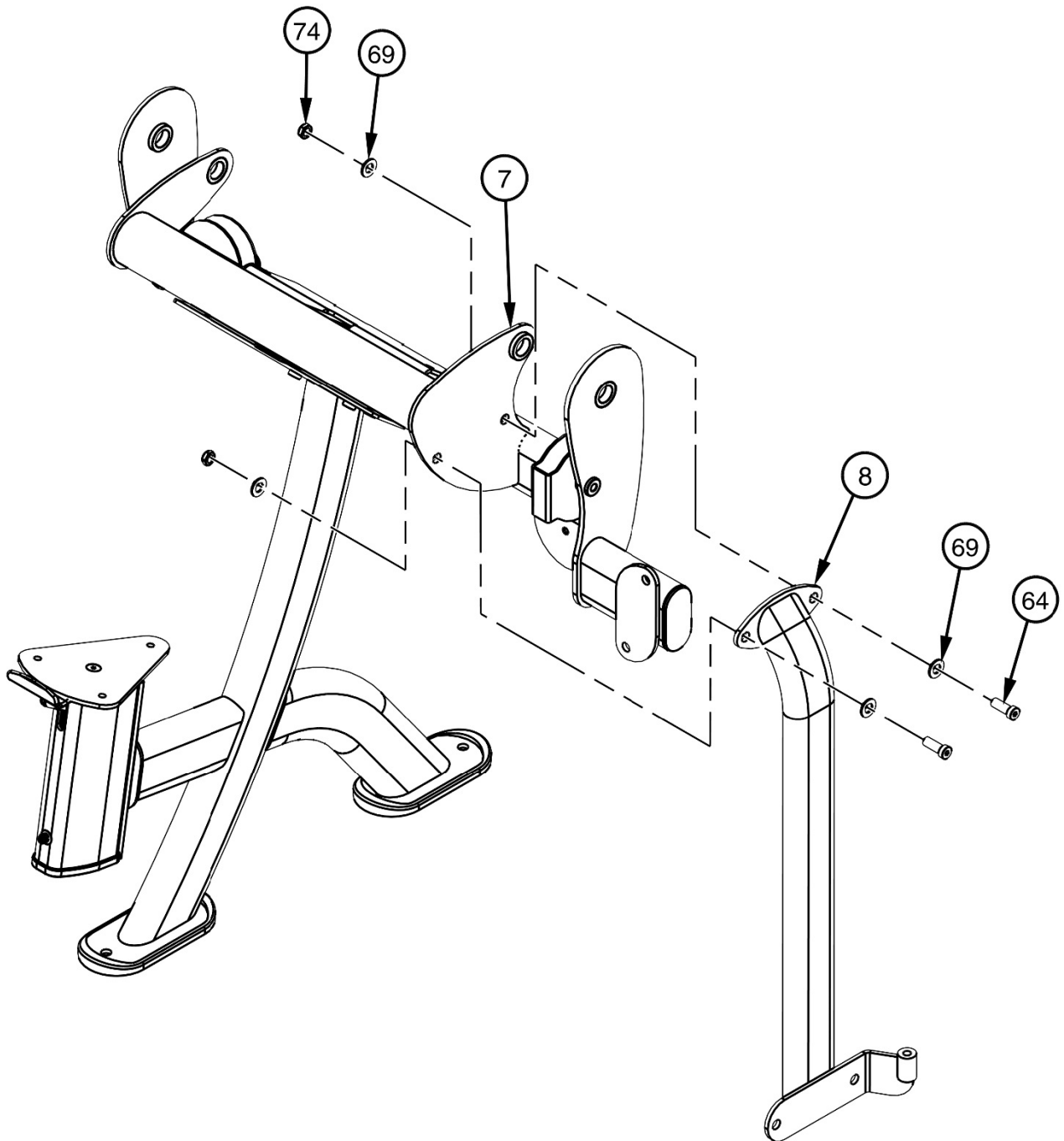


OWNER'S MANUAL

FRAME ASSEMBLY

NOTE:

- HAND TIGHTEN HARDWARE.
- SOME PARTS MAY HAVE BEEN REMOVED FOR CLARITY.

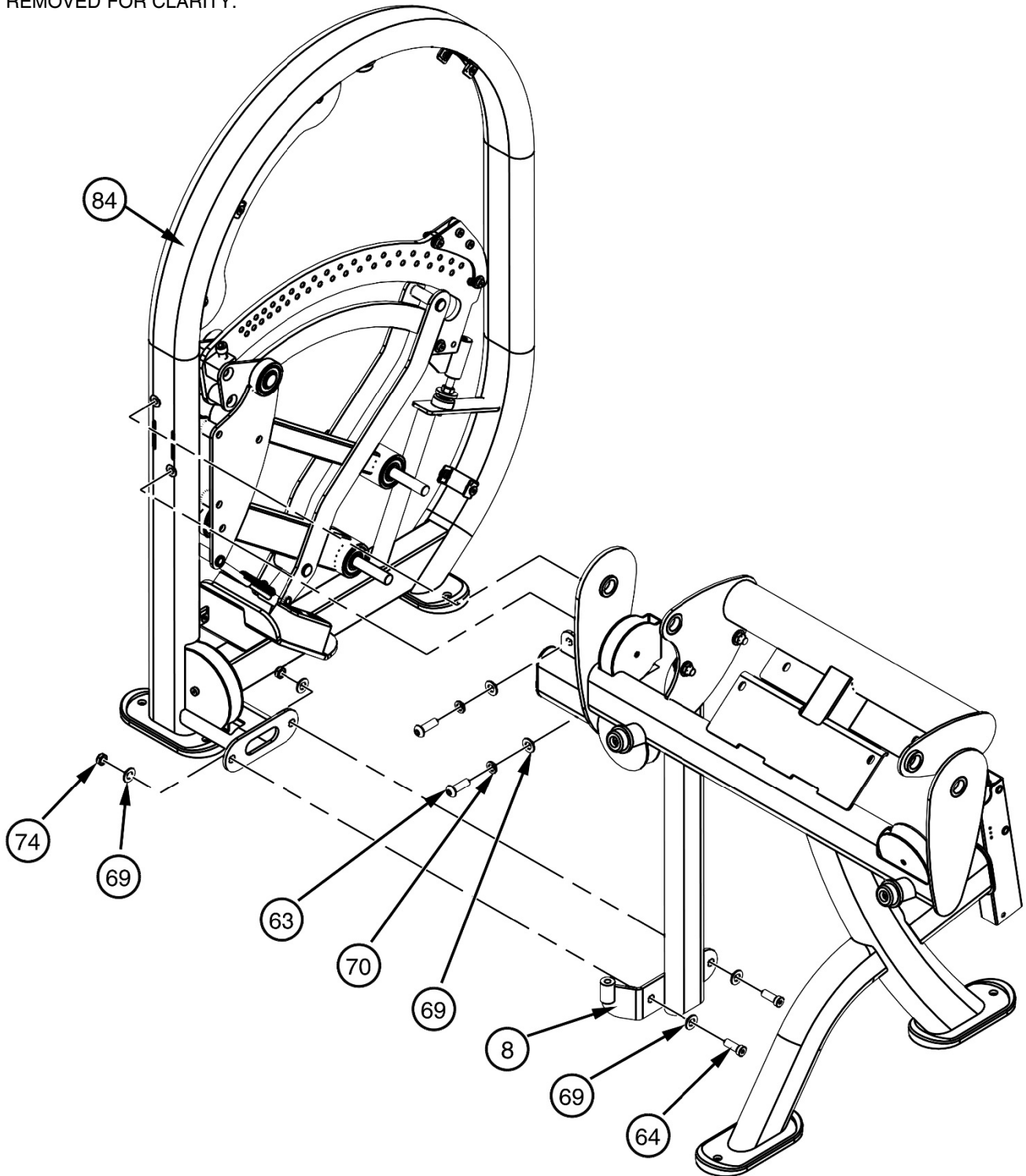


OWNER'S MANUAL

FRAME ASSEMBLY

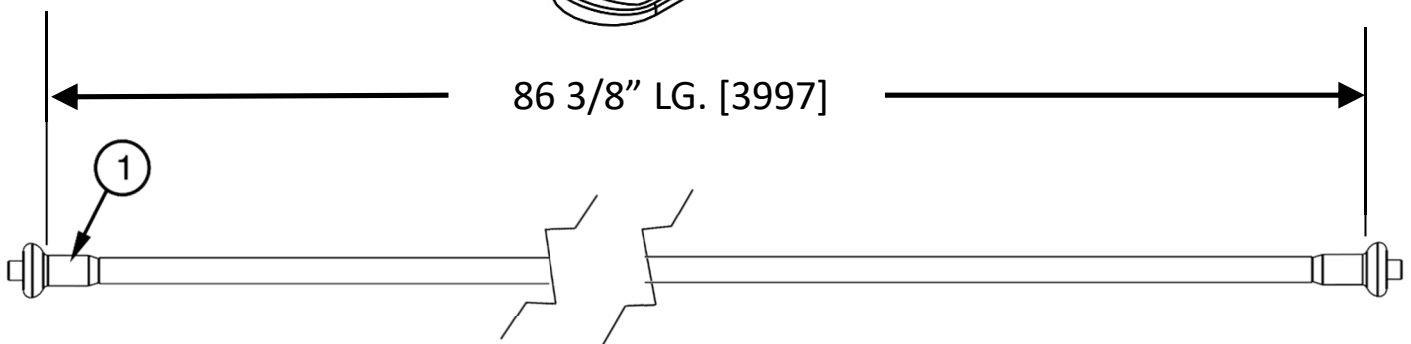
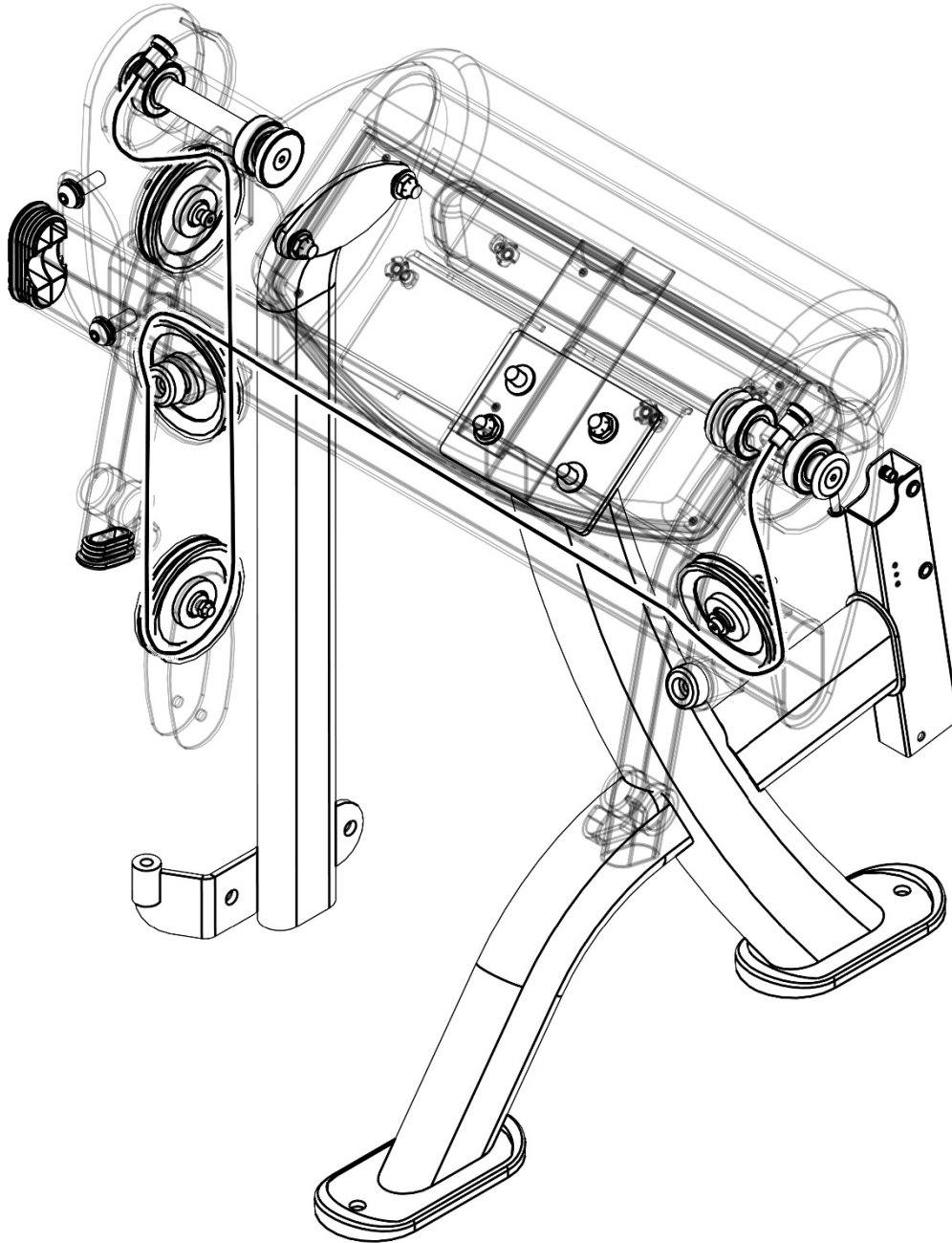
NOTE:

- HAND TIGHTEN HARDWARE.
- SOME PARTS MAY HAVE BEEN REMOVED FOR CLARITY.



OWNER'S MANUAL

CABLE PROFILE VIEW

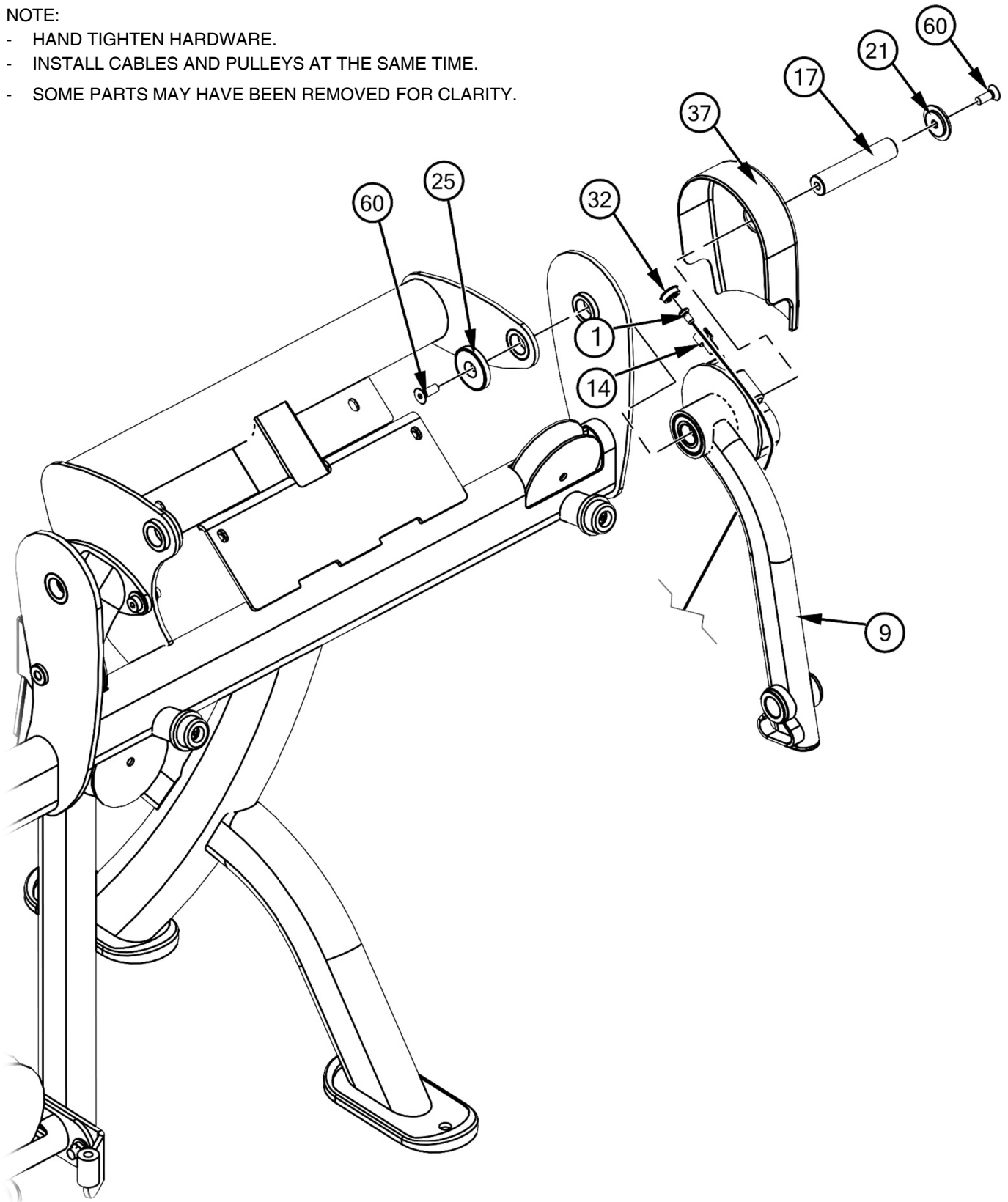


OWNER'S MANUAL

FRAME ASSEMBLY

NOTE:

- HAND TIGHTEN HARDWARE.
- INSTALL CABLES AND PULLEYS AT THE SAME TIME.
- SOME PARTS MAY HAVE BEEN REMOVED FOR CLARITY.

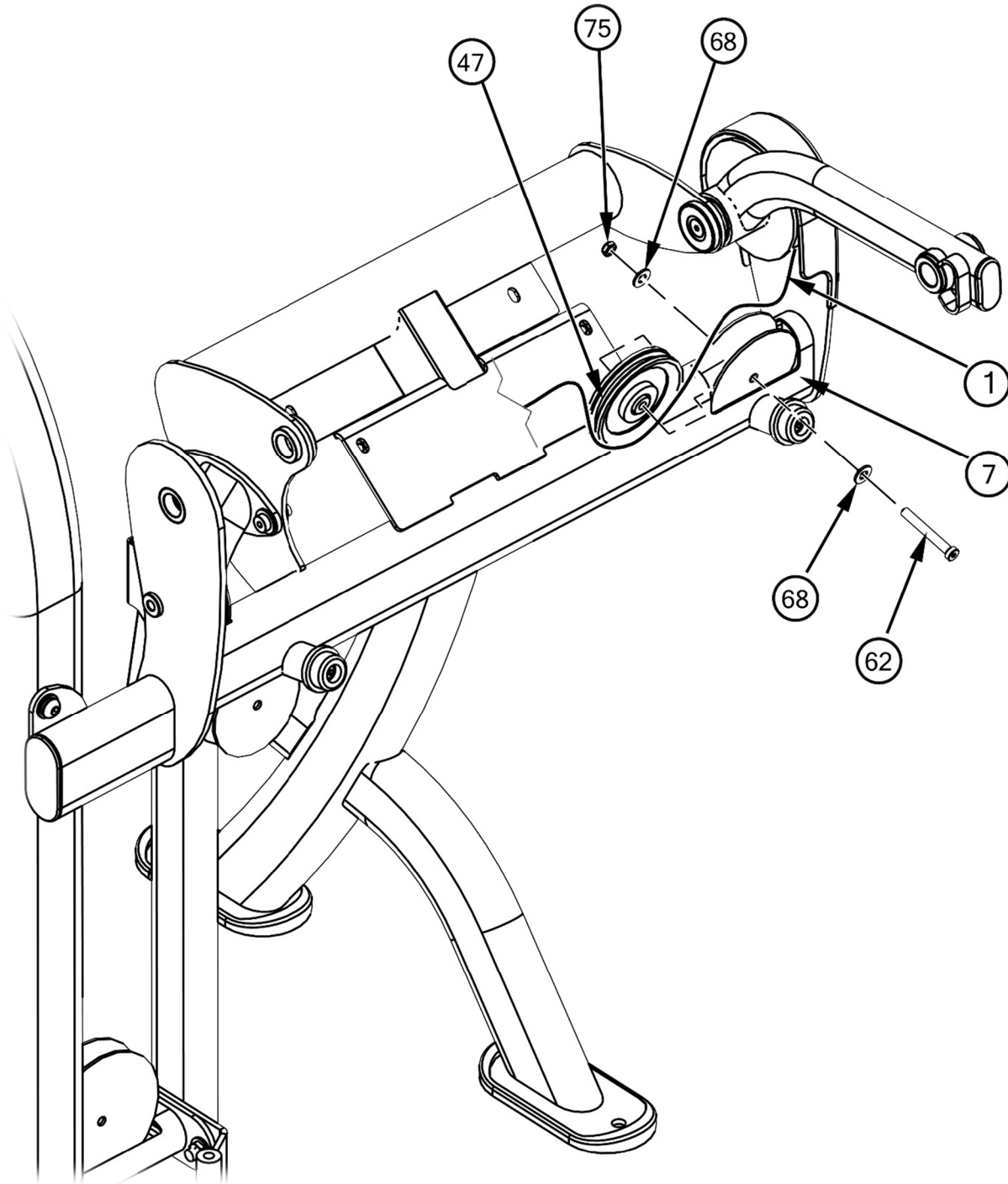


OWNER'S MANUAL

FRAME ASSEMBLY

NOTE:

- HAND TIGHTEN HARDWARE.
- INSTALL CABLES AND PULLEYS AT THE SAME TIME.
- SOME PARTS MAY HAVE BEEN REMOVED FOR CLARITY.

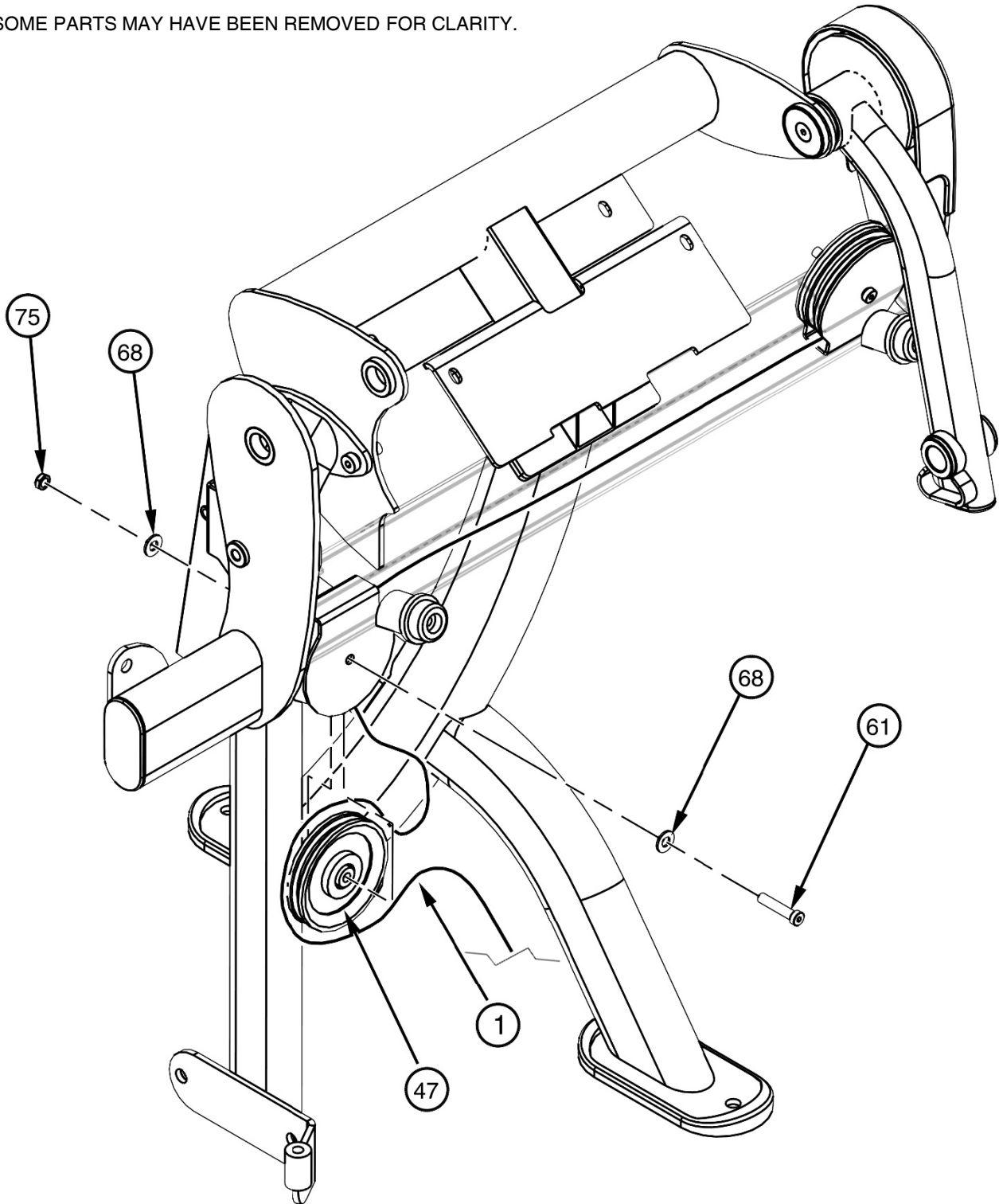


OWNER'S MANUAL

FRAME ASSEMBLY

NOTE:

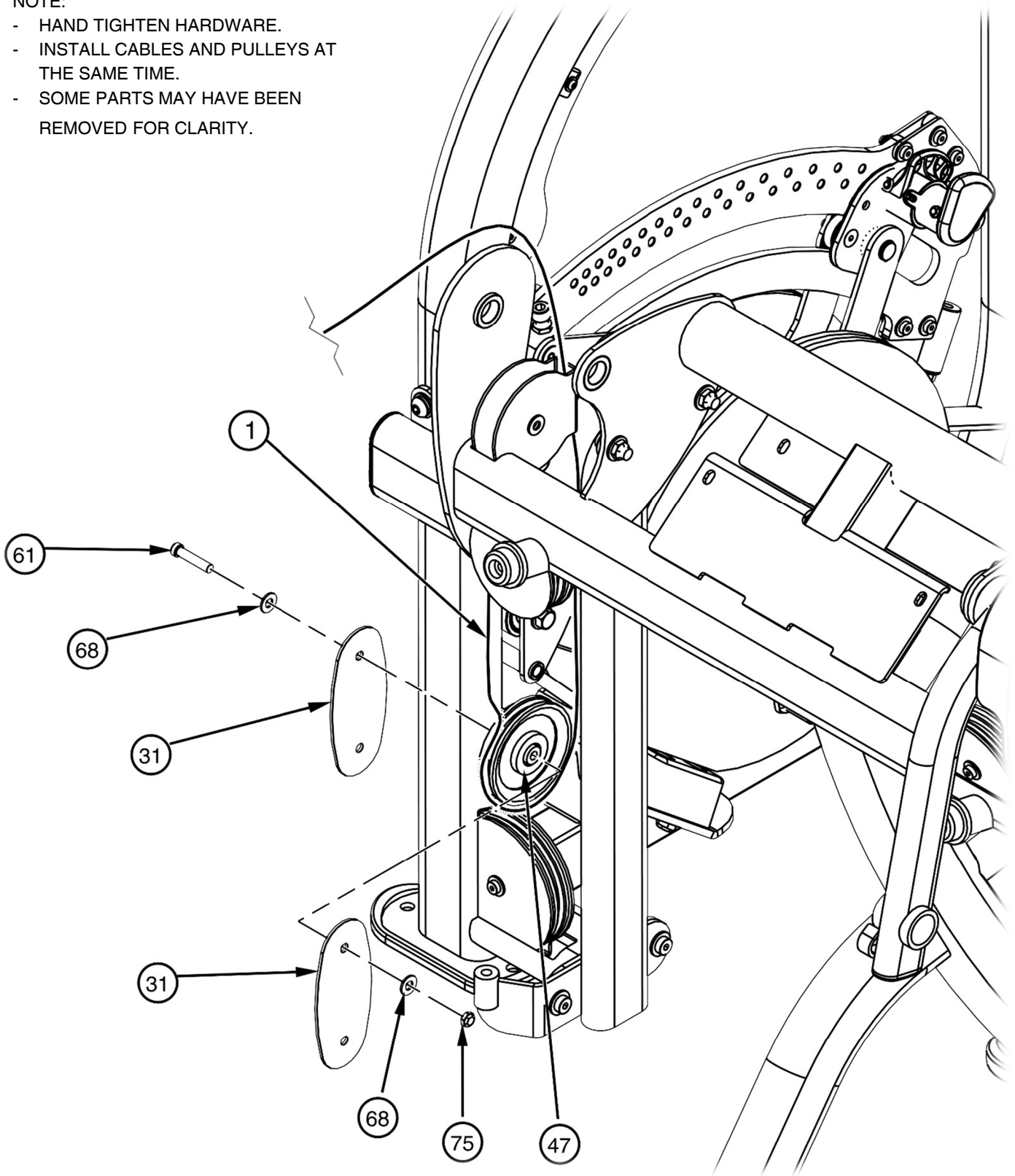
- HAND TIGHTEN HARDWARE.
- INSTALL CABLES AND PULLEYS AT THE SAME TIME.
- SOME PARTS MAY HAVE BEEN REMOVED FOR CLARITY.



FRAME ASSEMBLY

NOTE:

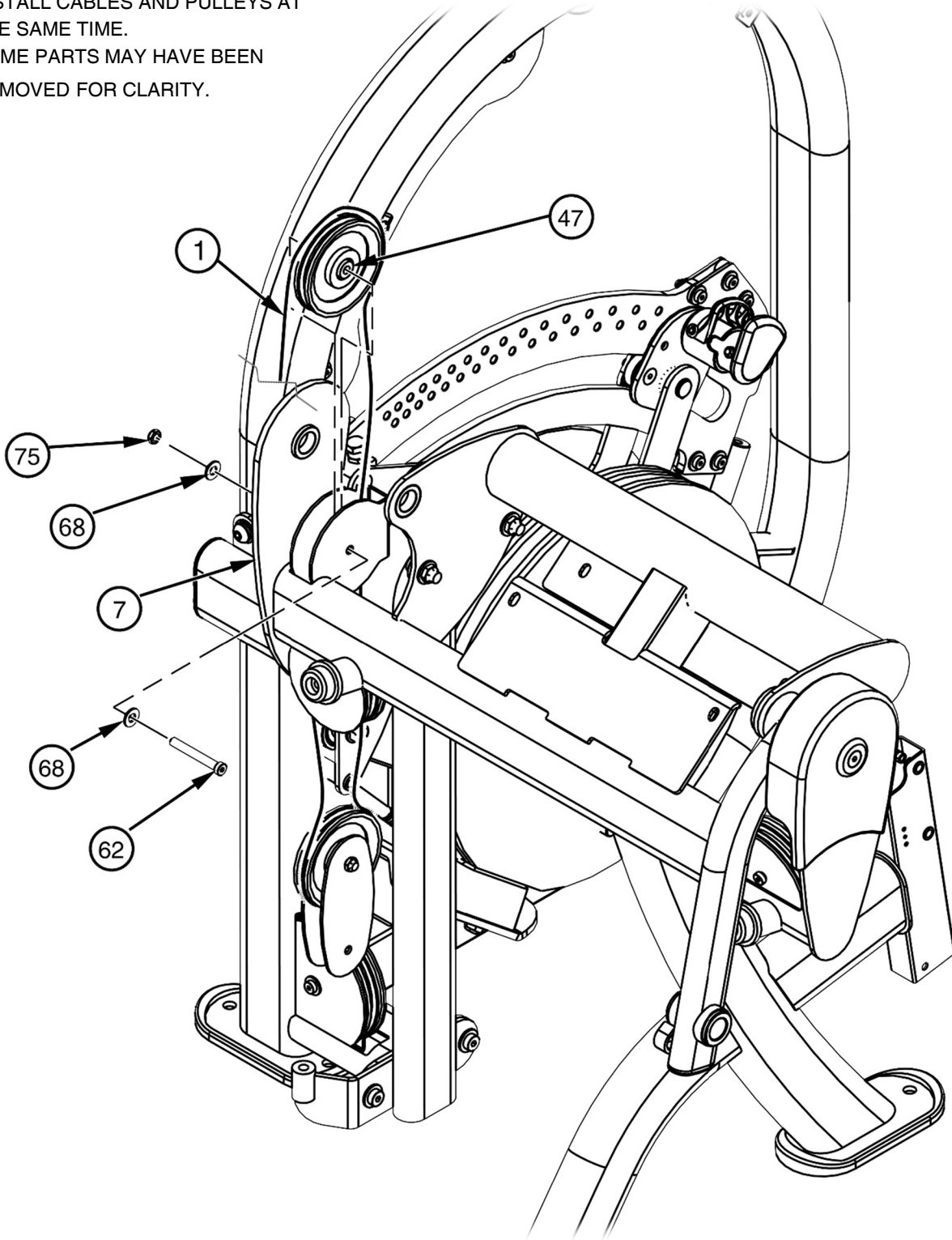
- HAND TIGHTEN HARDWARE.
- INSTALL CABLES AND PULLEYS AT THE SAME TIME.
- SOME PARTS MAY HAVE BEEN REMOVED FOR CLARITY.



FRAME ASSEMBLY

NOTE:

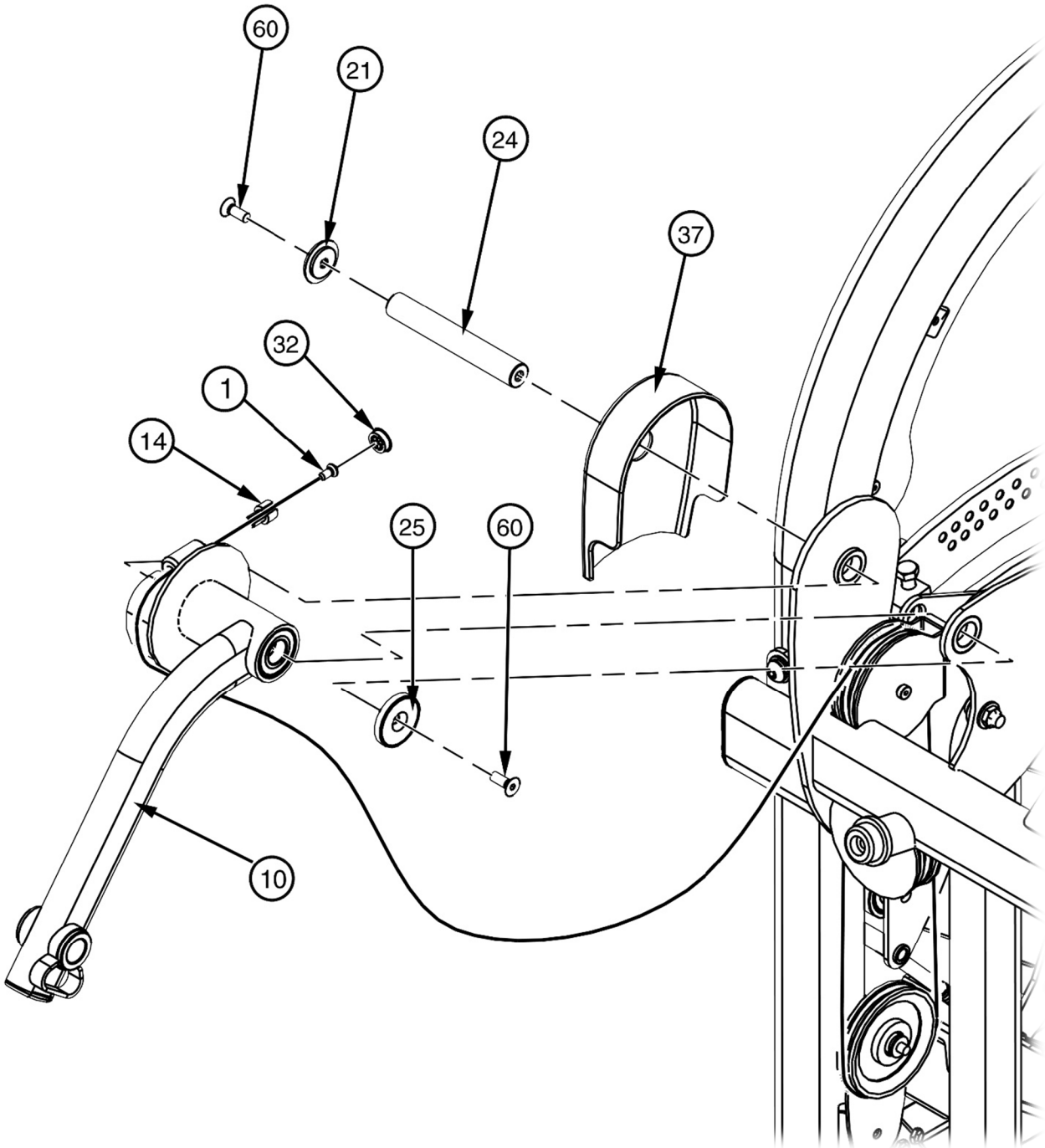
- HAND TIGHTEN HARDWARE.
- INSTALL CABLES AND PULLEYS AT THE SAME TIME.
- SOME PARTS MAY HAVE BEEN REMOVED FOR CLARITY.



FRAME ASSEMBLY

NOTE:

- HAND TIGHTEN HARDWARE.
- INSTALL CABLES AND PULLEYS AT THE SAME TIME.
- SOME PARTS MAY HAVE BEEN REMOVED FOR CLARITY.

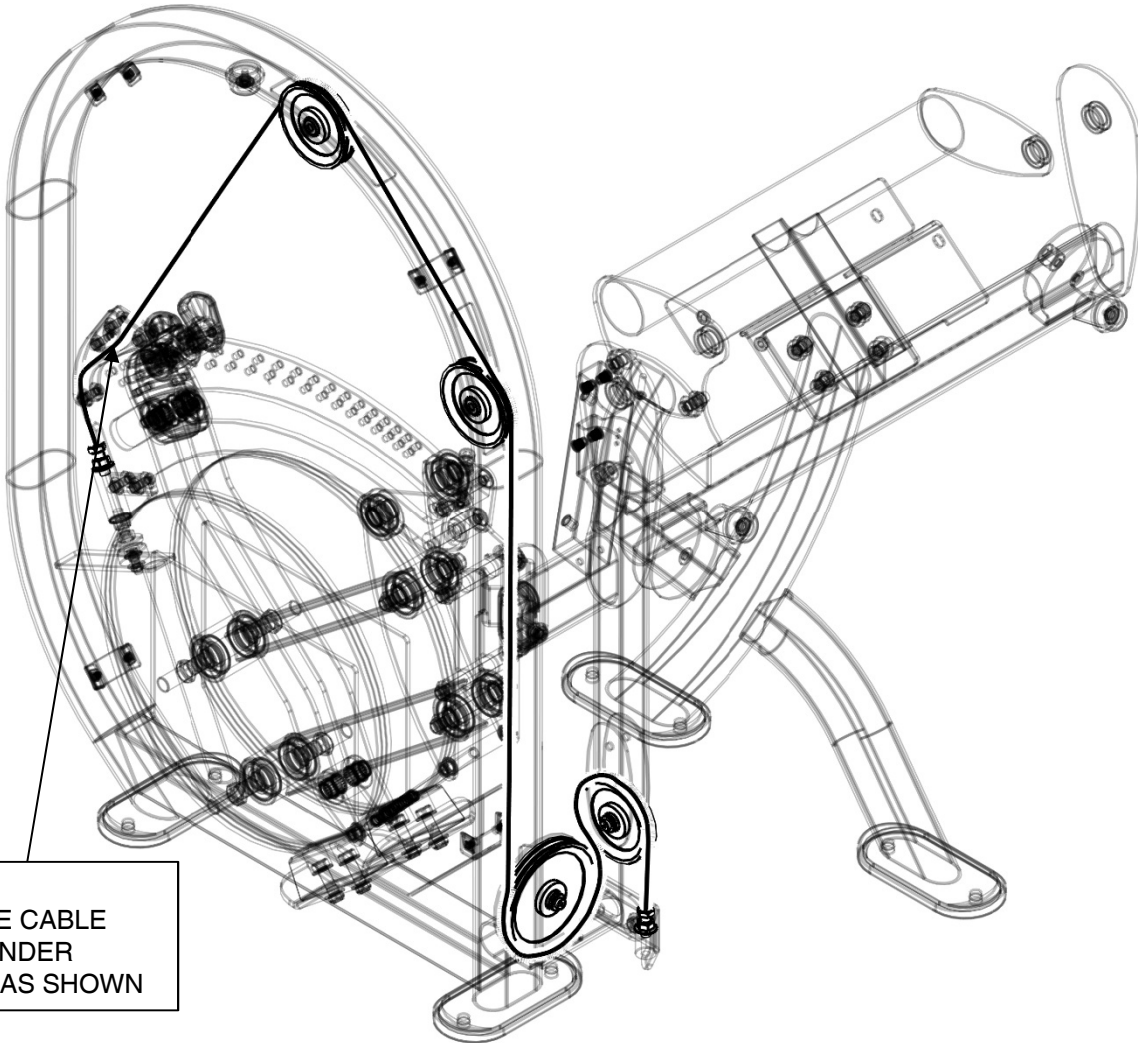


OWNER'S MANUAL

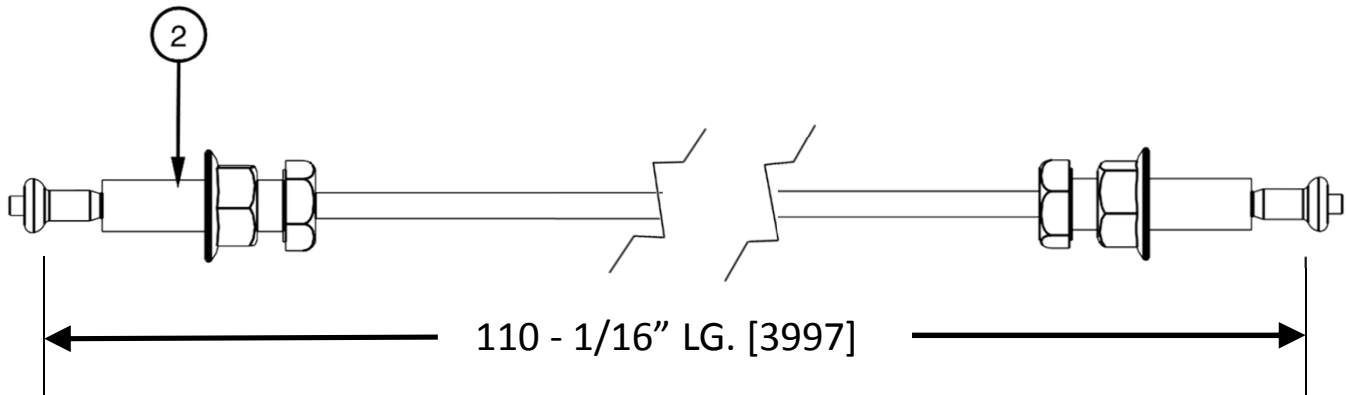
CABLE PROFILE VIEW

NOTE:

**PLEASE REFER TO SSS-CAGE-40
MANUAL FOR DETAILED CABLE ROUTING
INSTRUCTIONS WITHIN THE CAGE**



NOTE:
BE SURE CABLE
RUNS UNDER
GUARD AS SHOWN



FRAME ASSEMBLY

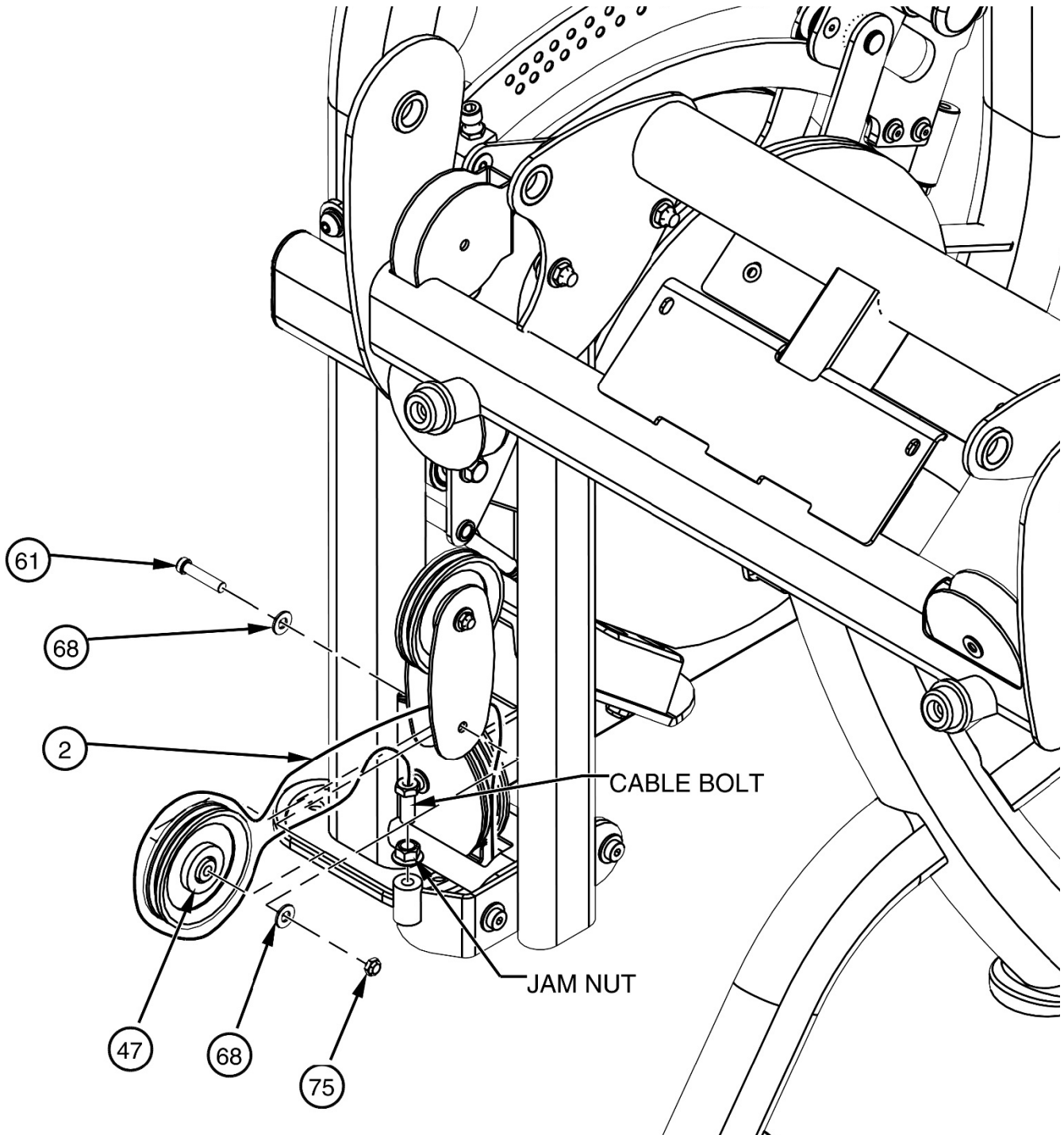
NOTE:

- HAND TIGHTEN HARDWARE.
- INSTALL CABLES AND PULLEYS AT THE SAME TIME.
- SOME PARTS MAY HAVE BEEN REMOVED FOR CLARITY.

FINE TUNING

LOOSEN JAM NUT AND THREAD BOLT IN/OUT TO GIVE THE CABLE PROPER TENSION. RE-TIGHTEN JAM NUT.

WARNING – CABLE BOLT MUST BE THREADED A MINIMUM OF 3/8" WITH JAM NUT TIGHTENED SECURELY TO ENSURE PROPER CONNECTION.

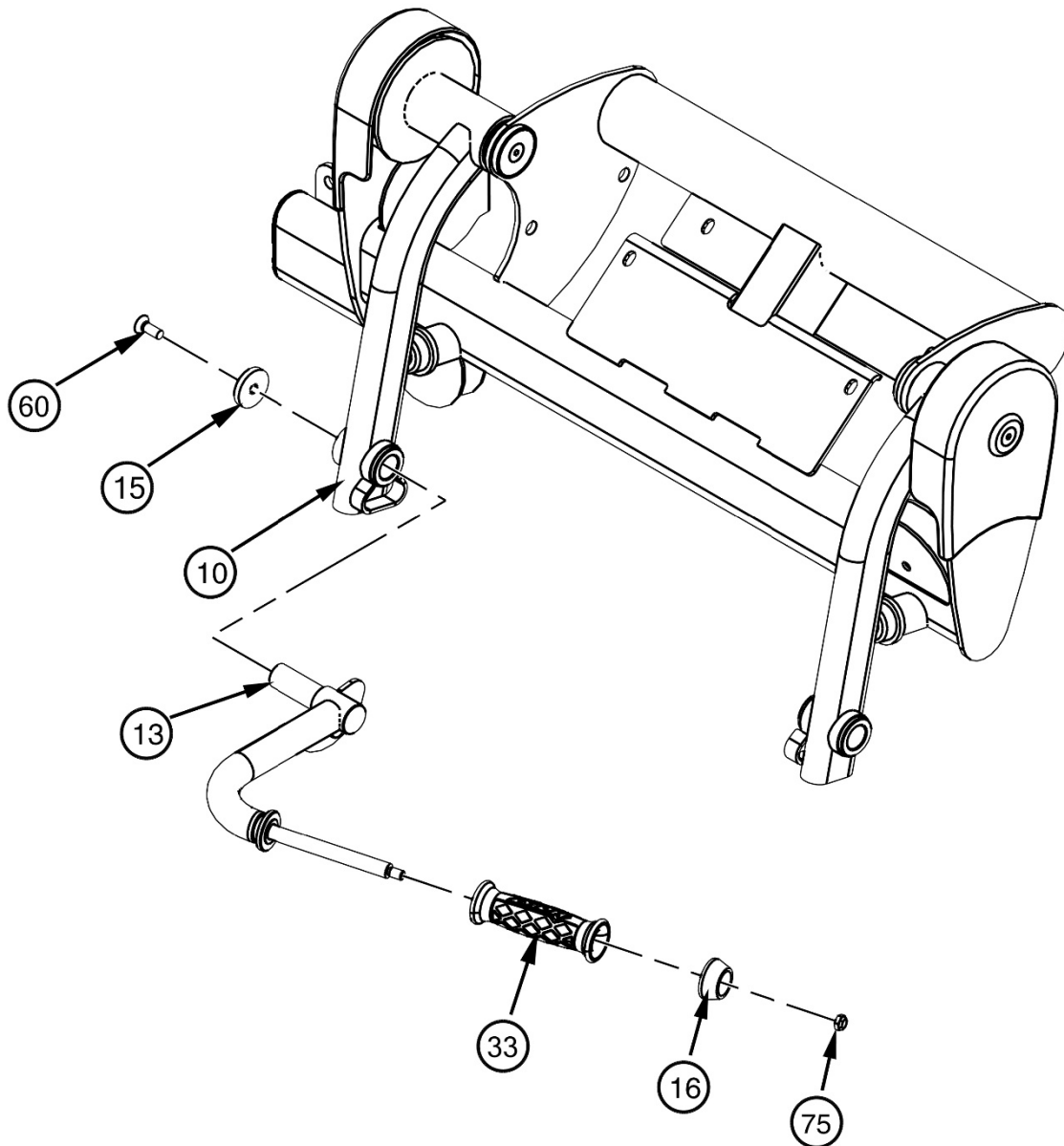


OWNER'S MANUAL

FRAME ASSEMBLY

NOTE:

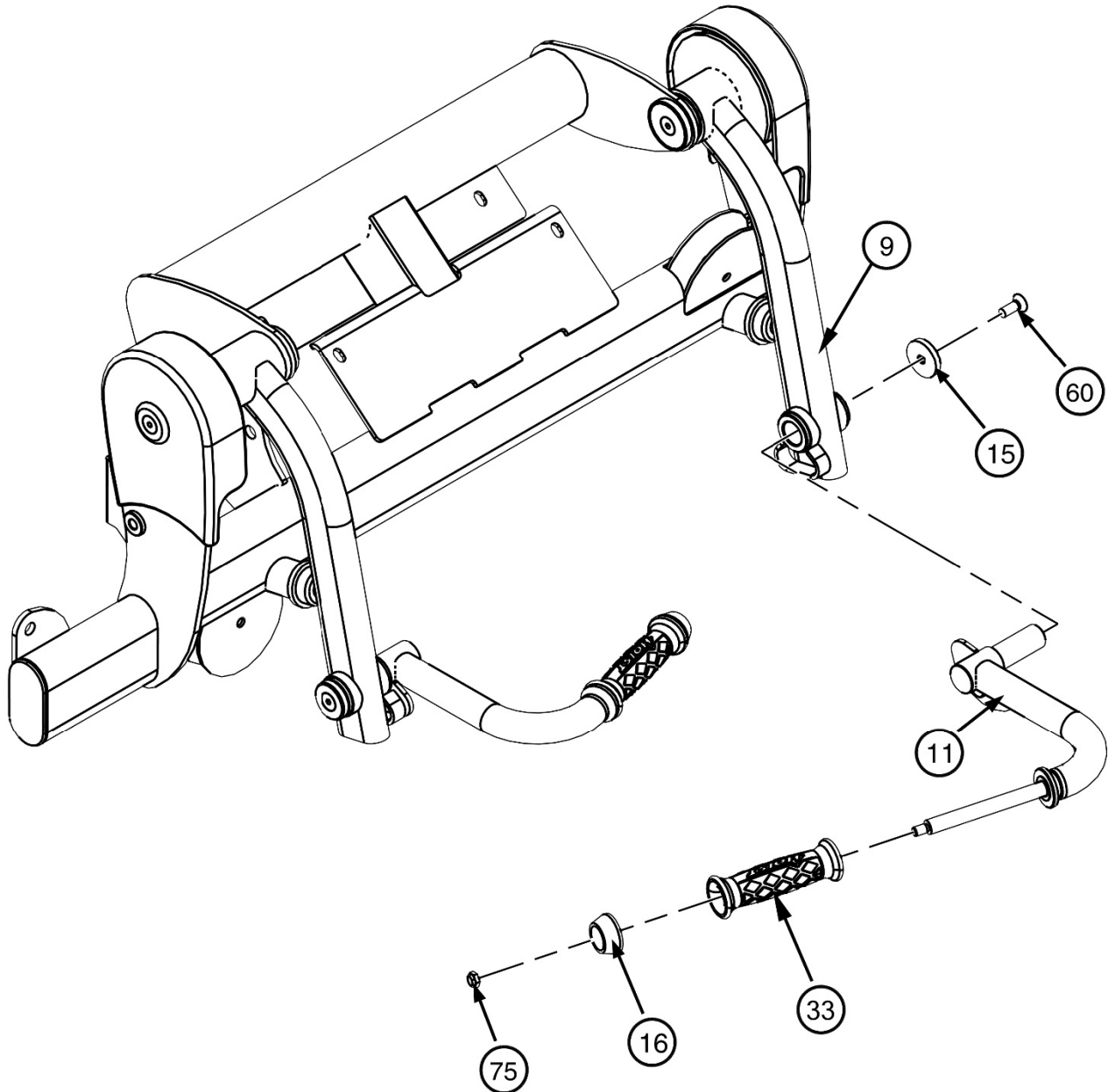
- HAND TIGHTEN HARDWARE.
- SOME PARTS MAY HAVE BEEN REMOVED FOR CLARITY.



FRAME ASSEMBLY

NOTE:

- HAND TIGHTEN HARDWARE.
- SOME PARTS MAY HAVE BEEN REMOVED FOR CLARITY.

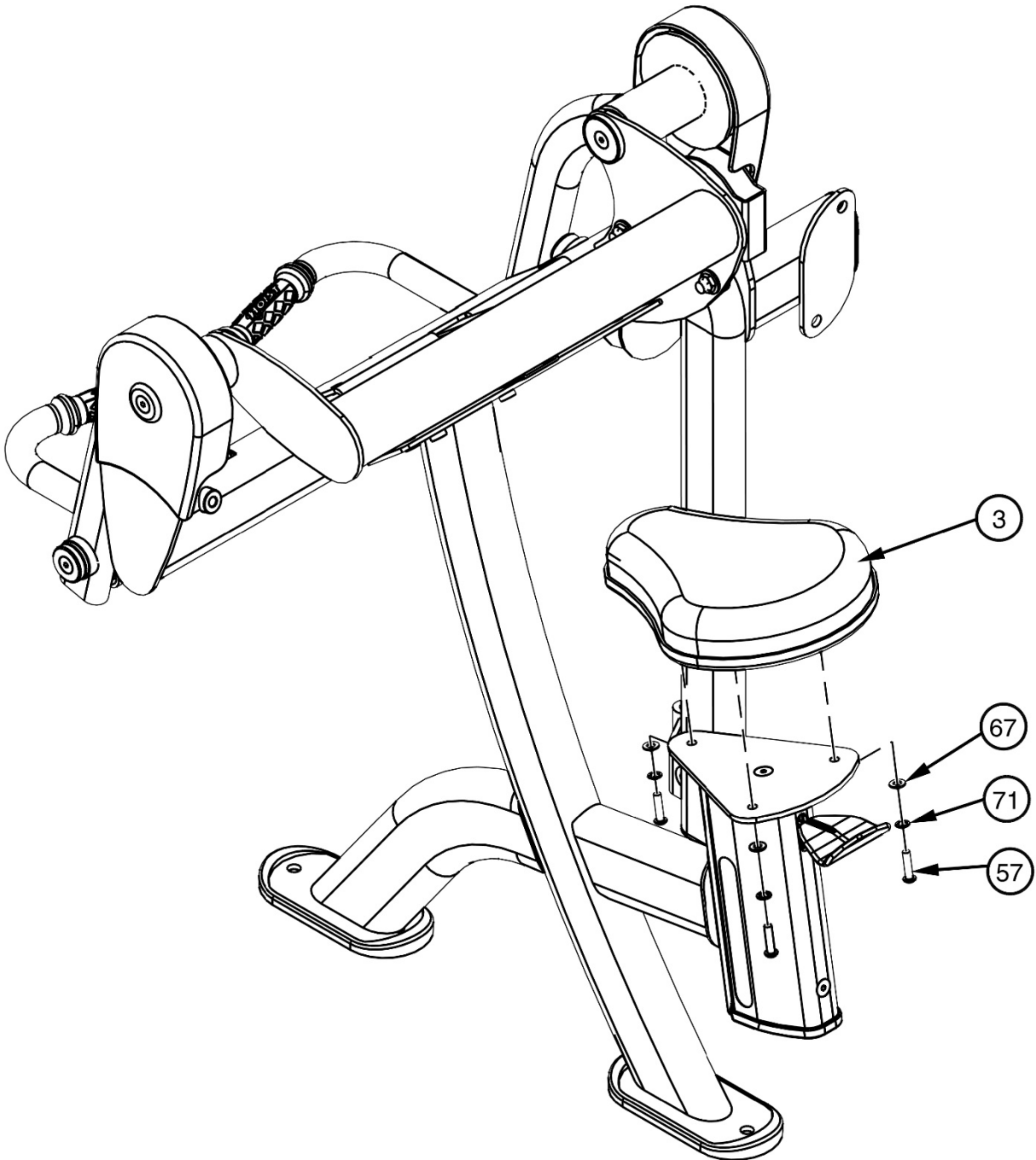


OWNER'S MANUAL

FRAME ASSEMBLY

NOTE:

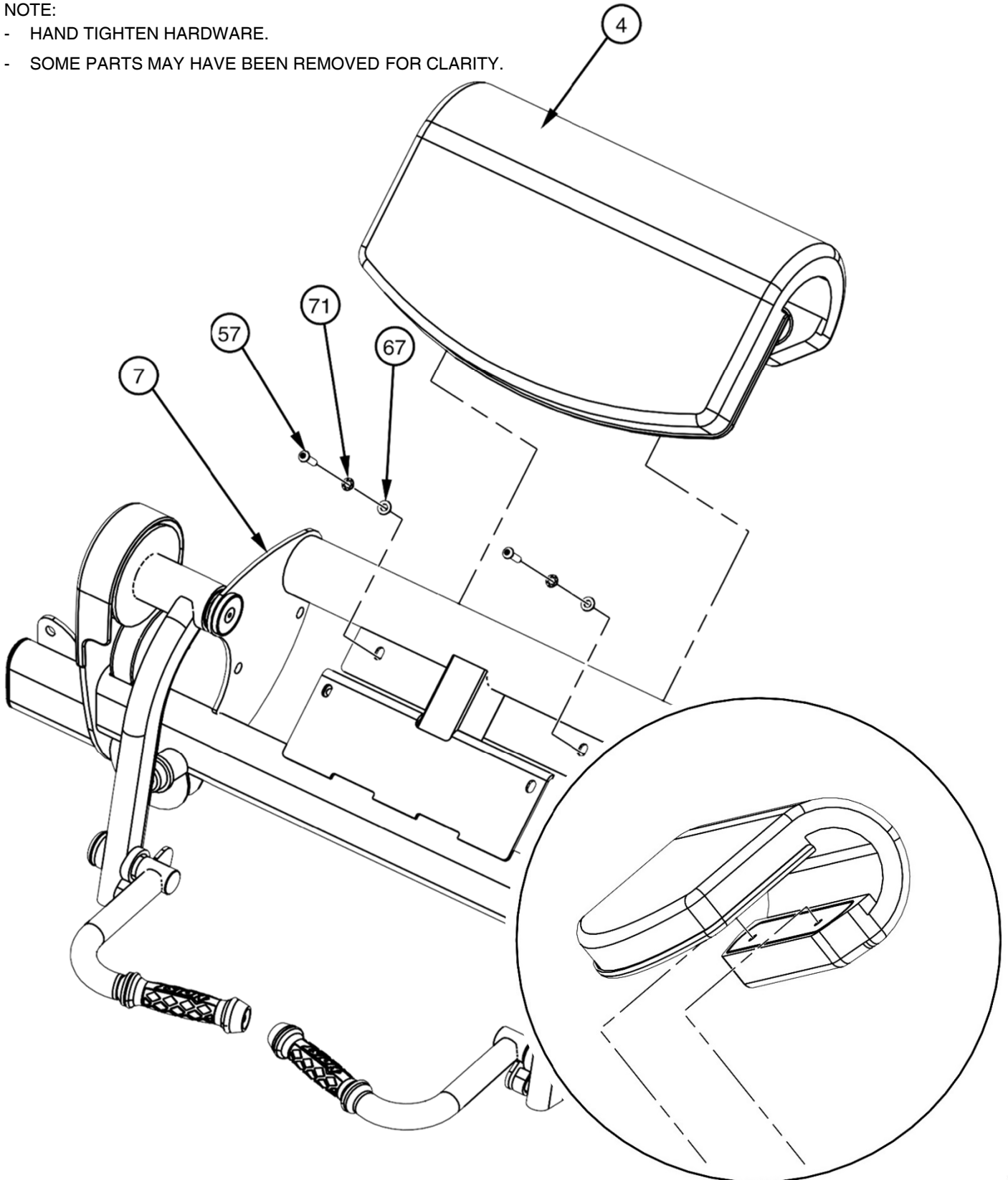
- HAND TIGHTEN HARDWARE.
- SOME PARTS MAY HAVE BEEN REMOVED FOR CLARITY.



FRAME ASSEMBLY

NOTE:

- HAND TIGHTEN HARDWARE.
- SOME PARTS MAY HAVE BEEN REMOVED FOR CLARITY.

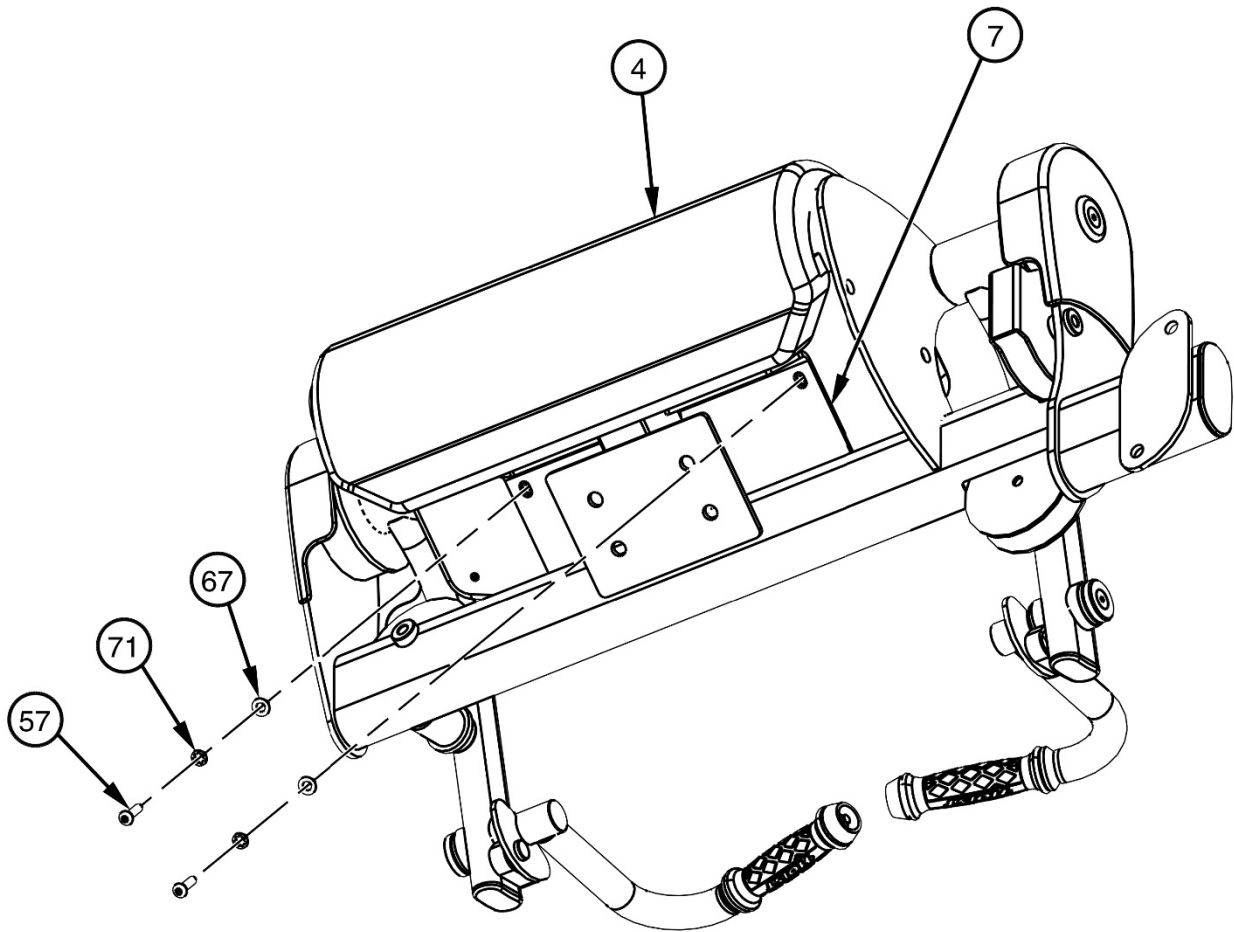


OWNER'S MANUAL

FRAME ASSEMBLY

NOTE:

- HAND TIGHTEN HARDWARE.
- SOME PARTS MAY HAVE BEEN REMOVED FOR CLARITY.

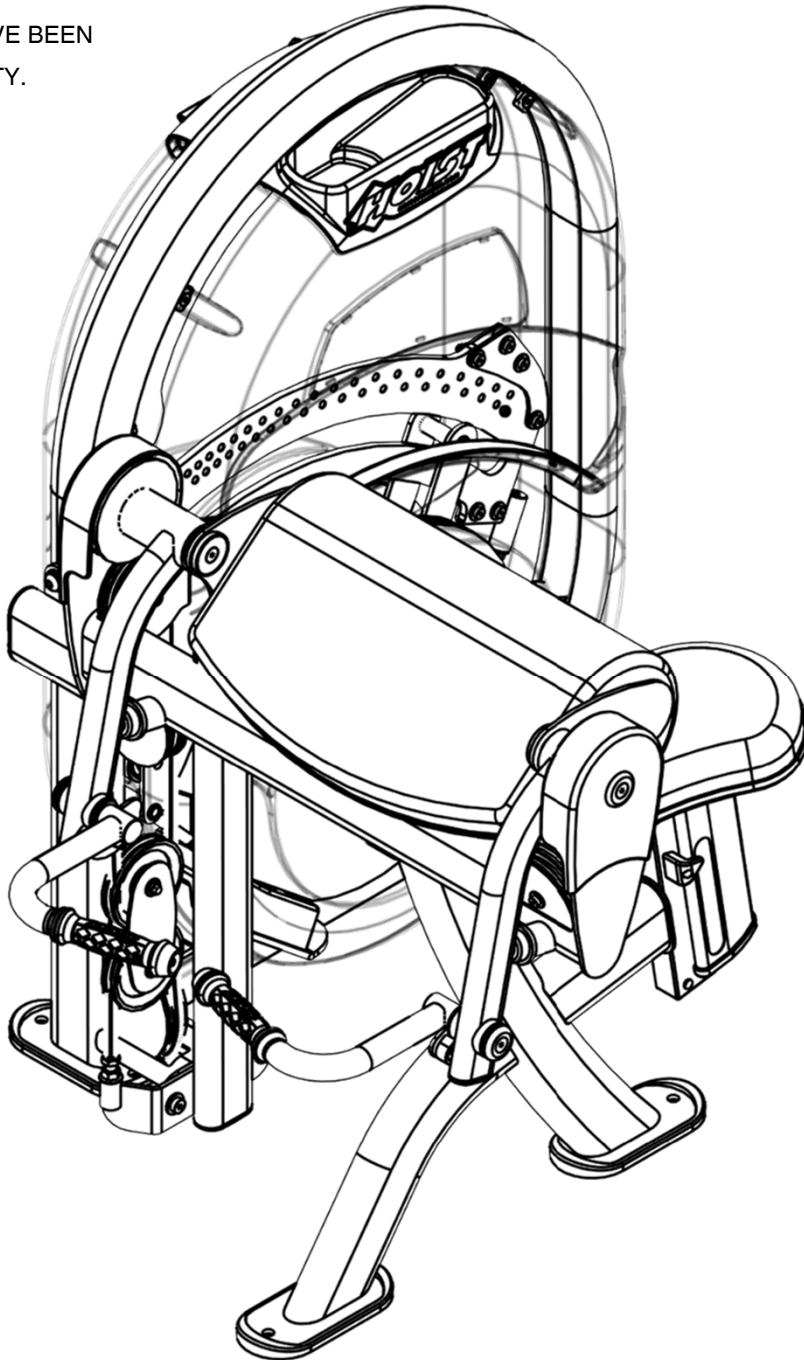


OWNER'S MANUAL

FRAME ASSEMBLY

NOTE:

- SOME PARTS MAY HAVE BEEN REMOVED FOR CLARITY.

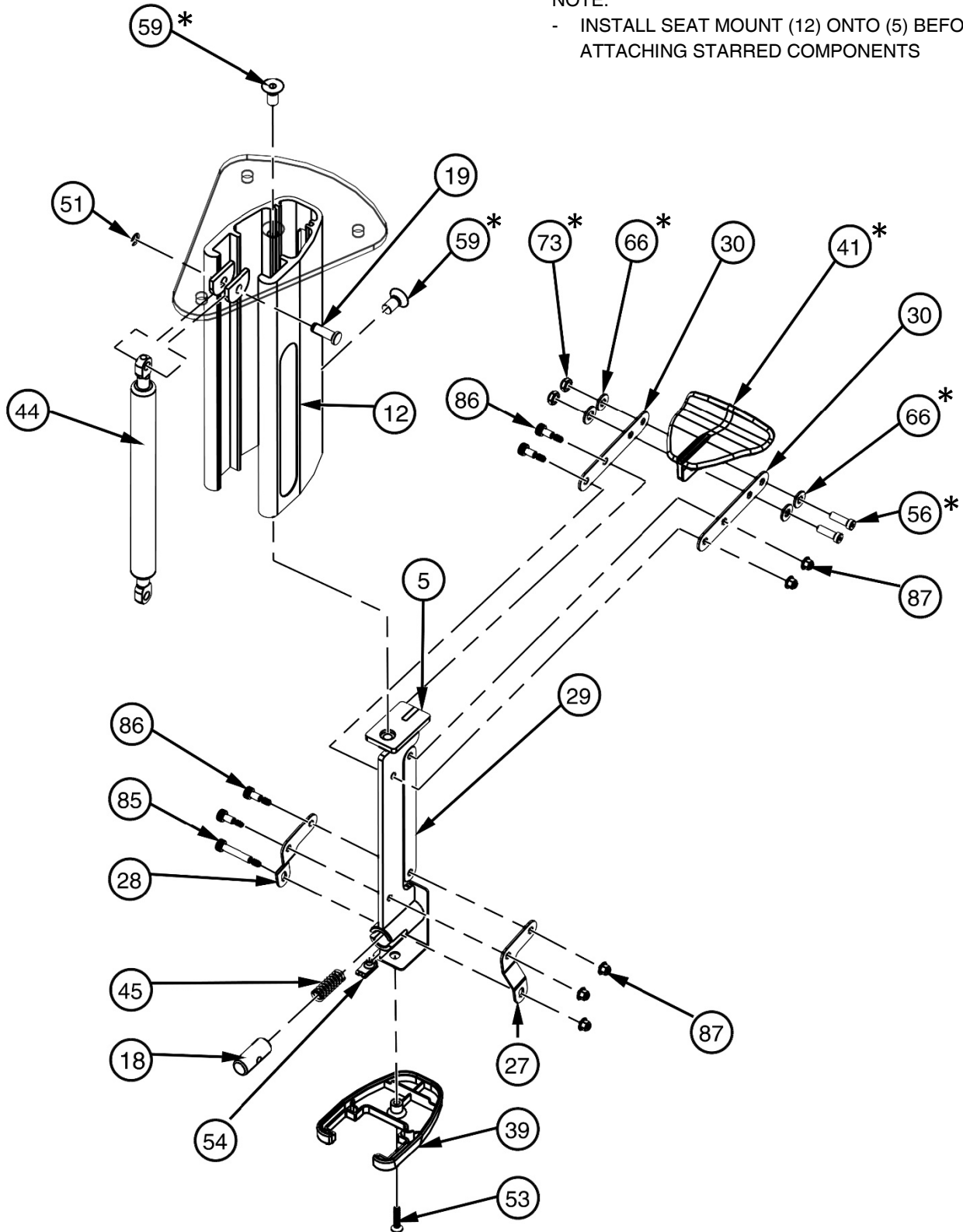


****WRENCH TIGHTEN ALL PREVIOUSLY HAND TIGHTENED HARDWARE.****
NOW THAT THE CL-3102 FRAME IS COMPLETELY ASSEMBLED, TAKE TIME TO ASSURE THAT YOUR UNIT IS ASSEMBLED SQUARE AND PERPENDICULAR. IF NOT, IT MAY BE NECESSARY TO LOOSEN SOME FRAME HARDWARE TO RE-ALIGN AND THEN RE-TIGHTEN THE BOLTS

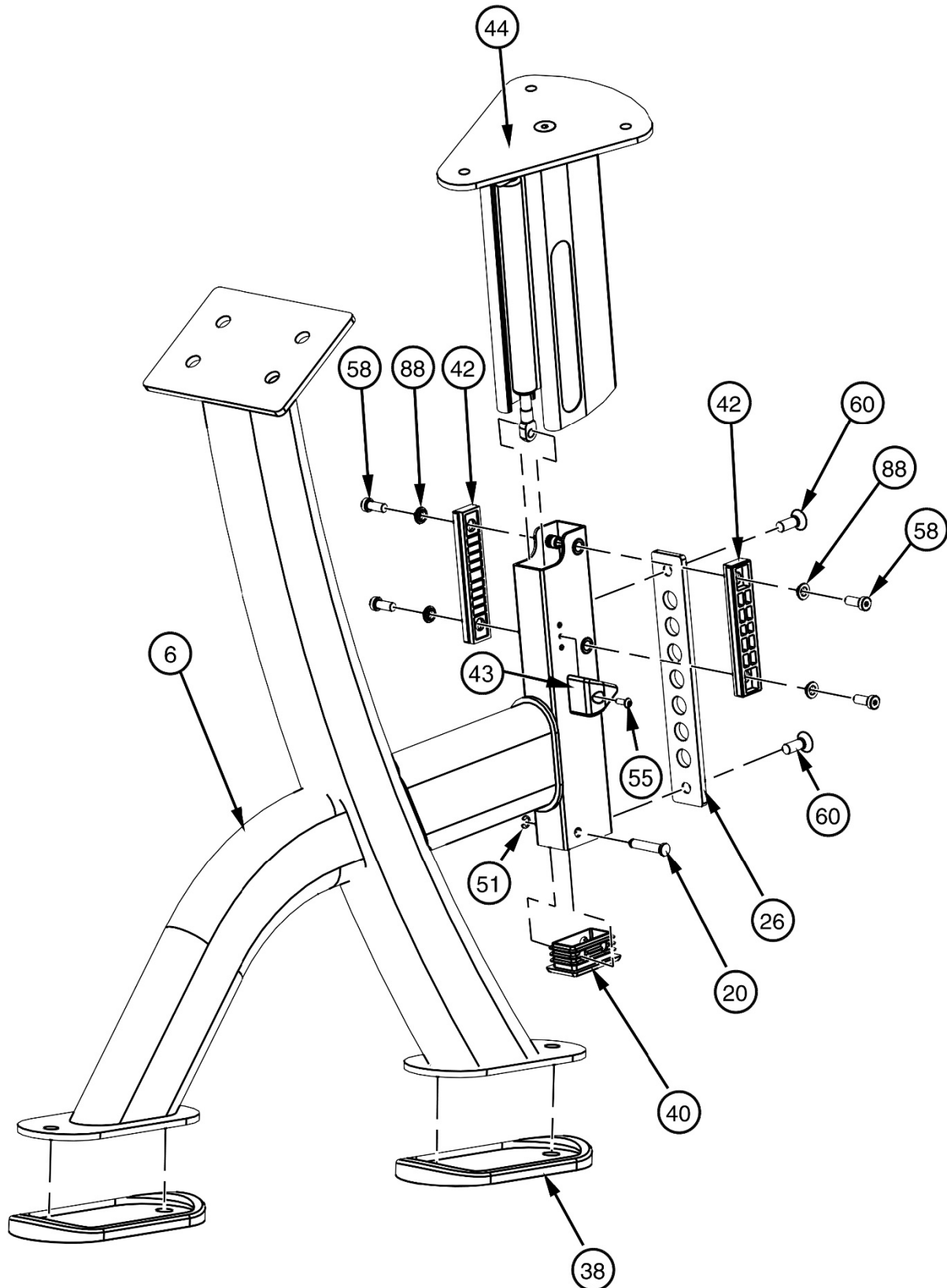
PRE-ASSEMBLY

NOTE:

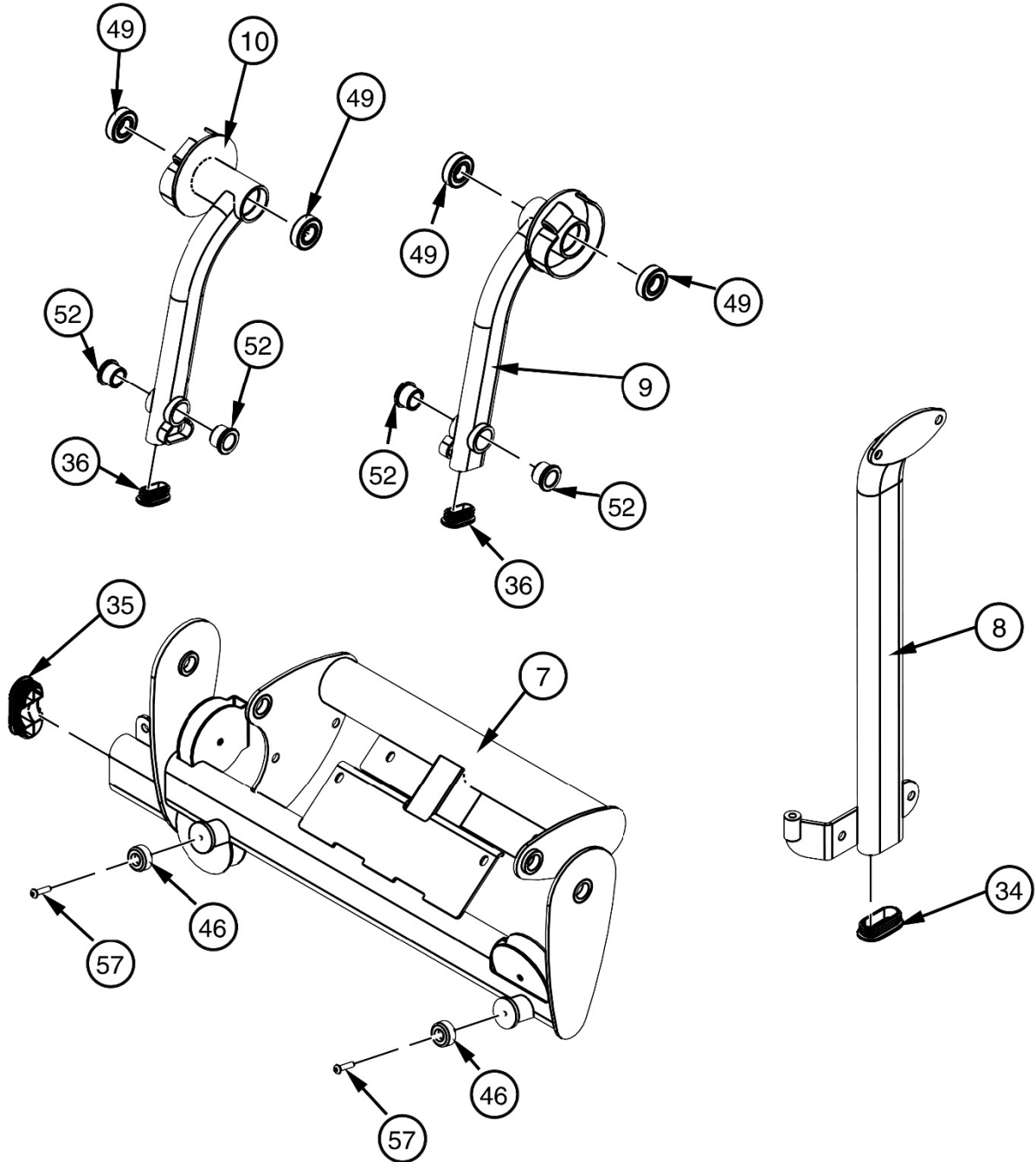
- INSTALL SEAT MOUNT (12) ONTO (5) BEFORE ATTACHING STARRED COMPONENTS



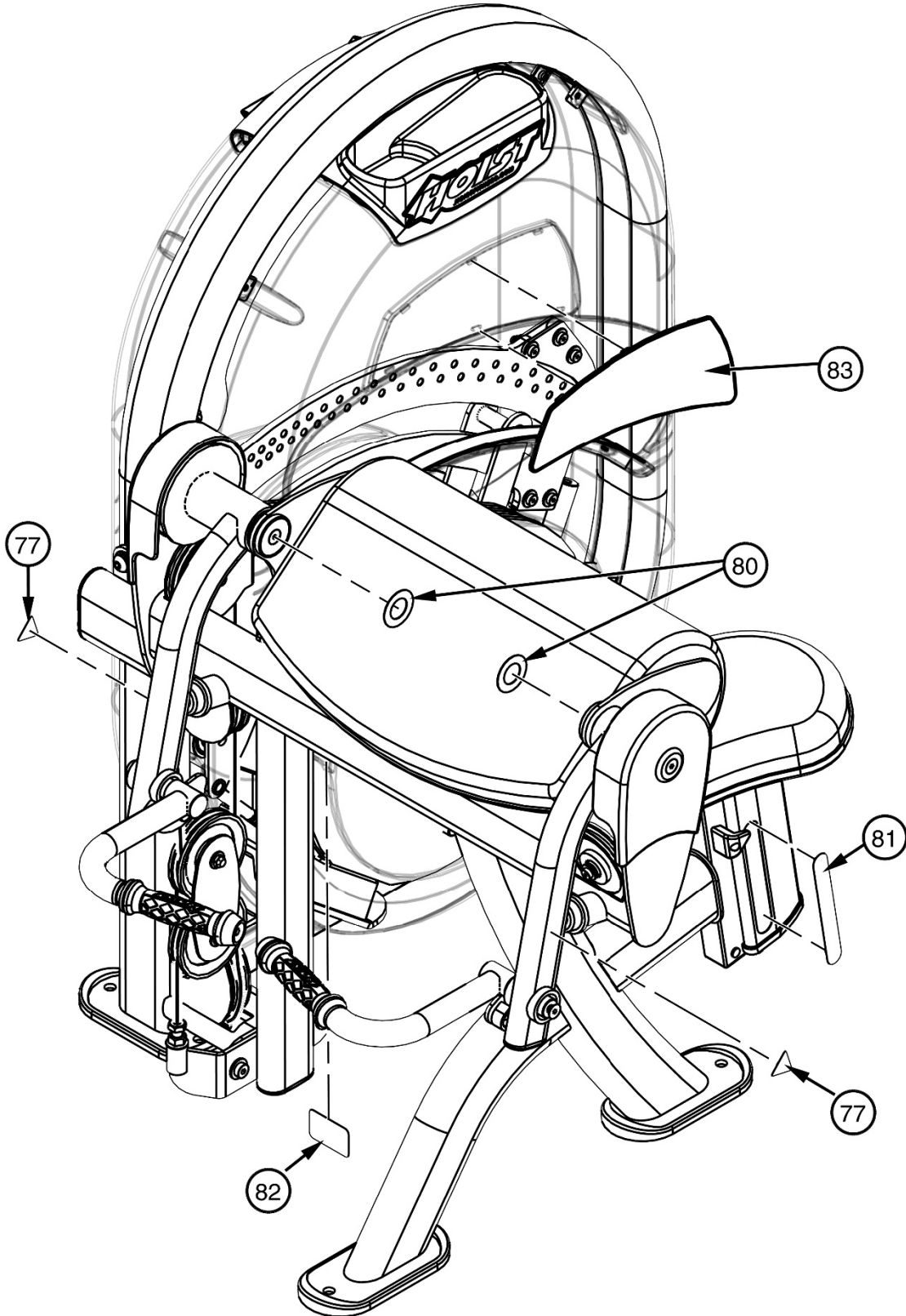
PRE-ASSEMBLY CONTINUED



PRE-ASSEMBLY CONTINUED



DECAL PLACEMENT



DECAL REFERENCE

CLUB LINE

Preacher Curl CL-3102

1. Select appropriate weight.
2. Adjust seat so that elbows align with pivot point.
3. Grasp handles and pull up.

FINISH

START



WARNING! ONLY ADJUST WEIGHT WHILE MACHINE IS AT REST



TO ADJUST WEIGHT
SQUEEZE AND SLIDE

1

021-0003938

Assembly P/N: 026-01X7325

2



021-0003418

HOIST
HOISTFITNESS.COM

1-800-548-5438

www.hoistfitness.com

Serial # 00-00-A00-000000



SERIAL # DECAL

3

4

5

6

7



021-0003512

021-0003911

OWNER'S MANUAL

PART LIST

NOTE: SOME OF THESE PARTS MAY COME PRE-INSTALLED

ITEM NO.	PART NUMBER	DESCRIPTION	QTY.
1	010-01C0805	CL-3102 CABLE-2	1
2	010-01C0804	CL-3102 CABLE-1	1
3	022-01PD2099-A	SEAT PAD ASSEMBLY	1
4	022-01PD2097-A	ARM PAD ASSEMBLY	1
5	026-01X6828	PULL PIN RETRACTOR FRAME	1
6	026-01X6830	MAIN FRAME ASSEMBLY	1
7	026-01X6831	ARM PAD MOUNT	1
8	026-01X6832	LOWER CAGE TIE	1
9	026-01X6833	CURL ARM-1	1
10	026-01X6834	CURL ARM-2	1
11	026-01X6835	HANDLE-1	1
12	026-01X6836	SEAT PAD MOUNT	1
13	026-01X7313	HANDLE-2	1
14	026-01M0199	QUICK RELEASE CABLE LOCK Ø 1/4"	2
15	026-01M0239	ALUMINUM FLATHEAD CAP Ø 1.63" X .31" LG.	2
16	026-01M2861	Ø 1.6250" ALUMINUM END CAP	2
17	026-01M2991	PIVOT SHAFT	1
18	026-01M3493	SEAT ADJUSTER SELECTOR PIN	1
19	026-01M3495	RETAINING PIN, 8MM OD, 1.03" LG	1
20	026-01M3496	RETAINING PIN, 8MM OD, 1.72" LG	1
21	026-01M3568	RETAINING CAP	2
24	026-01M3603	SHAFT - Ø .984 X 6.56 LG.	1
25	026-01M3606	FLATHEAD CAP Ø 2.00" ALUM. (WITH RECESS)	2
26	026-01P4836	ADJUSTER STRIP	1
27	026-01P4840	SEAT ADJUSTER LOWER LEFT PIVOT BRACKET	1
28	026-01P4841	SEAT ADJUSTER LOWER RIGHT PIVOT BRACKET	1
29	026-01P4842	SEAT ADJUST CENTER LINK	1
30	026-01P4843	SEAT ADJUSTER UPPER PIVOT LINK	2
31	026-01P4851	DUAL PULLEY SHIELD	2
32	026-01PL2140	BLACK NYLON THREADED CAP	2
33	026-01PL2292	RUBBER OVER-MOLDED HANDLE	2
34	026-01PL2565	3.15" X 1.57" CAP	1
35	026-01PL2566	50 X 100 OVAL DOMED END CAP	1

OWNER'S MANUAL

PART LIST CONTINUED

NOTE: SOME OF THESE PARTS MAY COME PRE-INSTALLED

ITEM NO.	PART NUMBER	DESCRIPTION	QTY.
36	026-01PL2806	3.15" X 1.57" CAP	2
37	026-01PL2832	CAM SIDE COVER	2
38	026-01PL2838	RUBBER FOOT PAD	2
39	026-01PL2848	END CAP, EXTRUDED HOUSING	1
40	026-01PL2849	END CAP, 1.50" X 2.50" W/HOLES	1
41	026-01PL2850	ADJUSTER LEVER	1
42	026-01PL2938-M	SLIDE GUIDE	2
43	026-01PL2939	POINTER	1
44	020-0006009	GAS SPRING, 40 LBS, 8MM ENDS	1
45	020-0011025	COMPRESSION SPRING, .48" OD X1.38" LG, 9 COIL, .0720" WIRE	1
46	019-0001003	BUMPER ϕ 1.50" X .625" T	2
47	018-0001003	CABLE PULLEY: ϕ 4.50"	5
49	014-0012014	BEARING: FLANGELESS - 25mm I.D.	4
51	014-0015046	RETAINING RING, E CLIP, FOR 7-9MM SHAFT	2
52	014-0101005	BUSHING: OILITE FLANGED ϕ 1.34" O.D. X ϕ 1.00" I.D. X .79" LG.	4
53	011-0701150	10-32 UNC X 1" LG, FHCS (Ni)	1
54	012-0609007	CLIP ON NUT, 10-32	1
55	011-0701112	#10-32UNC x .5 BHCS (Ni)	1
56	011-0116204	1/4"-20UNC X .75" LOW HEAD SHCS (Ni)	2
57	011-0701004	5/16"-18UNC X 1.25" BHCS (Ni)	9
58	011-0716023	5/16"-18UNC X .75" LOW HEAD SHCS (Ni) W/ DRI-LOC PATCH	4
59	011-0002049	3/8"-16UNC X .75" FHCS (Ni) W/NYLON PATCH	2
60	011-0702020	3/8"-16UNC X 1.00" FHCS (Ni) W/NYLON PATCH	8
61	011-0116145	3/8"-16UNC X 1.75" LOW HEAD SHCS (Ni)	3
62	011-0116149	3/8"-16UNC X 2.75" LOW HEAD SHCS (Ni)	2
63	011-0701049	1/2"-13UNC X 1.50" BHCS (Ni)	2
64	011-0116108	1/2"-13UNC X 1.25" LOW HEAD SHCS (Ni)	8
66	013-1002008	1/4" X 16mm SAE FLAT WASHER (Ni)	4
67	013-1002010	5/16" SAE FLAT WASHER (Ni)	7
68	013-1002007	3/8" X 22mm FLAT WASHER (Ni)	11
69	013-1002006	1/2" X 27mm SAE FLAT WASHER (Ni)	17
70	013-1006004	1/2" SPLIT LOCK WASHER (Ni)	2

OWNER'S MANUAL

PART LIST CONTINUED

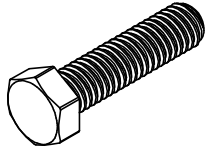
NOTE: SOME OF THESE PARTS MAY COME PRE-INSTALLED

ITEM NO.	PART NUMBER	DESCRIPTION	QTY.
71	013-1010003	5/16" INTERNAL LOCK WASHER (Ni)	7
73	012-0504004	1/4"-20 UNC THIN NYLOCK NUT (Ni)	2
74	012-0504002	1/2"-13 UNC THIN NYLOCK NUT (Ni)	8
75	012-0504005	3/8"-16 UNC THIN NYLOCK NUT (Ni)	7
77	021-0003512	DECAL PINCH POINT 1.18" X 1.35" (TRIANGLE)	2
80	021-0003418	DECAL PIVOT POINT (ROUND)	2
81	021-0003911	DECAL ADJUST 1-7 VERTICAL GREY BKGRND	1
82	SERIAL # DECAL	DECAL SERIAL # 1.63" X 2.63"	1
83	026-01X7325	CL-3102 EXERCISE PLACARD, MOUNTED	1
84	SSS-CAGE40	CL-S3 RESISTANCE SYSTEM (200 or 400 LB.)	1
85	011-0712012	6MM O.D. X 30MM LG. SHOULDER BOLT	1
86	011-0712013	6MM O.D. X 10MM LG. SHOULDER BOLT	4
87	012-0503002	M5 X 0.8 FLANGED NYLOCK NUT	5
88	026-01M3595	FLANGED SPACER, ϕ ".3275 X .098 LG.	4

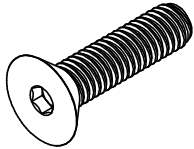
OWNER'S MANUAL

ABBREVIATIONS

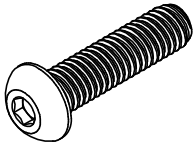
BZ = Black Zinc
Ni = Nickel Plated
SS = Stainless Steel
WZ = White Zinc



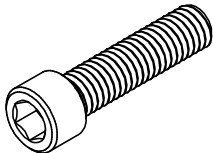
HHB = Hex Head Bolt



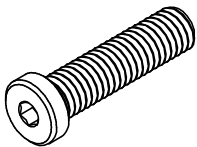
FHCS = Flat Head Cap Screw



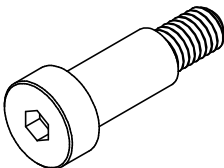
BHCS = Button Head Cap Screw



SHCS = Socket Head Cap Screw



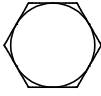
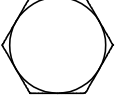
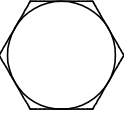
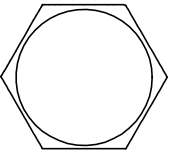
Low Head SHCS = Low Head Socket
Head Cap Screw

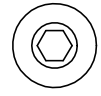
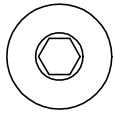
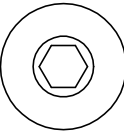
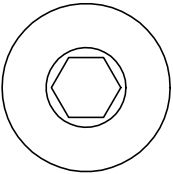


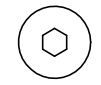
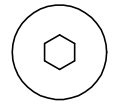
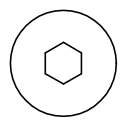
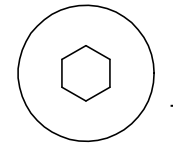
SHSS = Socket Head Shoulder Screw

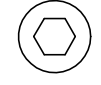
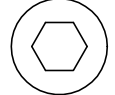
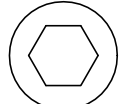
OWNER'S MANUAL

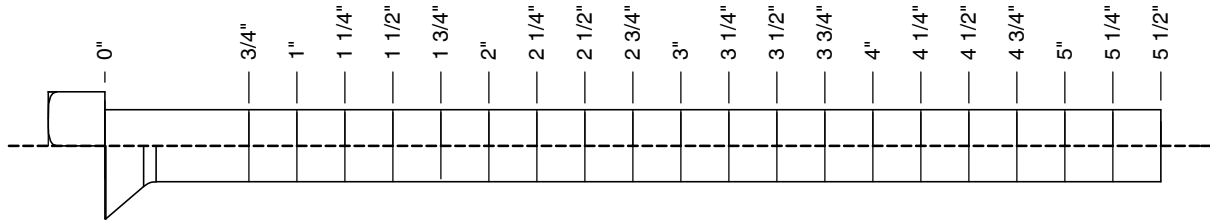
BOLT SIZING CHART

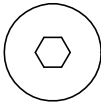
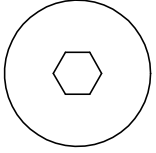
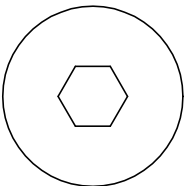
	1/4" HHB RECOMMENDED TORQUE RANGE: 6-8 ft-lbs		5/16" HHB RECOMMENDED TORQUE RANGE: 14-17 ft-lbs		3/8" HHB RECOMMENDED TORQUE RANGE: 24-30 ft-lbs		1/2" HHB RECOMMENDED TORQUE RANGE: 60-75 ft-lbs
---	---	---	--	---	---	---	---

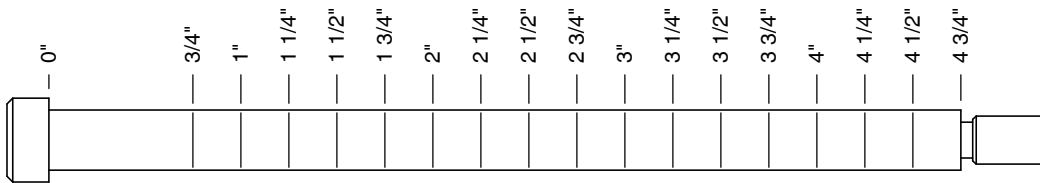
	1/4" BHCS RECOMMENDED TORQUE RANGE: 5-7 ft-lbs		5/16" BHCS RECOMMENDED TORQUE RANGE: 11-15 ft-lbs		3/8" BHCS RECOMMENDED TORQUE RANGE: 19-26 ft-lbs		1/2" BHCS RECOMMENDED TORQUE RANGE: 47-65 ft-lbs
---	--	---	---	---	--	---	--


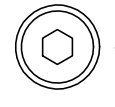
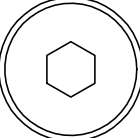
	1/4" LOW HEAD SHCS RECOMMENDED TORQUE RANGE: 4-6 ft-lbs		5/16" LOW HEAD SHCS RECOMMENDED TORQUE RANGE: 9-12 ft-lbs		3/8" LOW HEAD SHCS RECOMMENDED TORQUE RANGE: 18-23 ft-lbs		1/2" LOW HEAD SHCS RECOMMENDED TORQUE RANGE: 40-50 ft-lbs
---	---	---	---	---	---	---	---

	1/4" SHCS RECOMMENDED TORQUE RANGE: 11-14 ft-lbs		5/16" SHCS RECOMMENDED TORQUE RANGE: 23-29 ft-lbs		3/8" SHCS RECOMMENDED TORQUE RANGE: 39-49 ft-lbs
--	--	--	---	--	--



	1/4" FHCS RECOMMENDED TORQUE RANGE: 5-7 ft-lbs		3/8" FHCS RECOMMENDED TORQUE RANGE: 19-26 ft-lbs		1/2" FHCS RECOMMENDED TORQUE RANGE: 47-65 ft-lbs
---	--	---	--	---	--

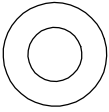


	1/4" SHSS RECOMMENDED TORQUE RANGE: 3-4 ft-lbs		5/16" SHSS RECOMMENDED TORQUE RANGE: 8-10 ft-lbs		3/8" SHSS RECOMMENDED TORQUE RANGE: 17-22 ft-lbs
---	--	---	--	---	--

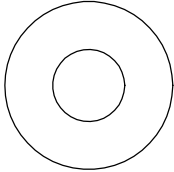
OWNER'S MANUAL

WASHER SIZING CHART

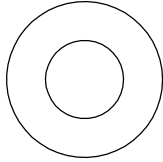
013-0002003
1/4"
FLAT WASHER
SMALL, SAE, 13mm



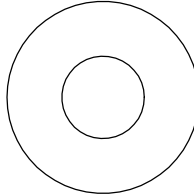
013-0102004
5/16"
FLAT WASHER
LARGE, USS, 22mm



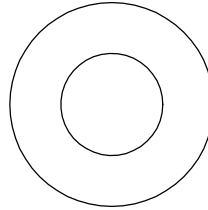
013-0002004
3/8"
FLAT WASHER
SMALL, SAE, 21mm



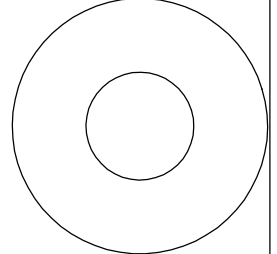
013-0402005
3/8"
FLAT WASHER
LARGE, USS, 25mm



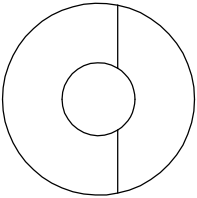
013-0102003
1/2"
FLAT WASHER
SMALL, SAE, 27mm



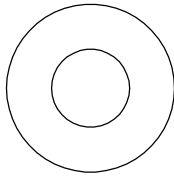
013-0102026
1/2"
FLAT WASHER
LARGE, USS, 34mm



013-0102028
3/8"
CURVED WASHER



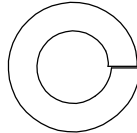
013-0402007
3/8"
FLAT WASHER
22mm O.D.



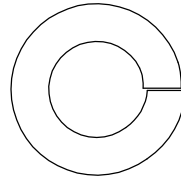
013-0102019
1/4"
LOCK WASHER



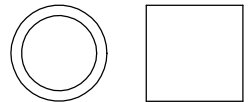
013-0102020
3/8"
LOCK WASHER



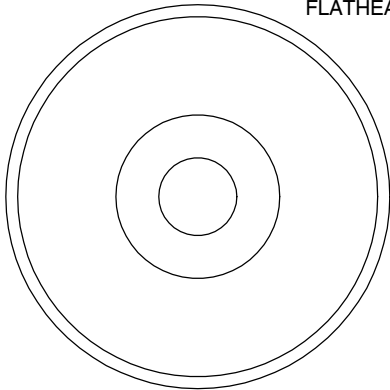
013-0102018
1/2"
LOCK WASHER



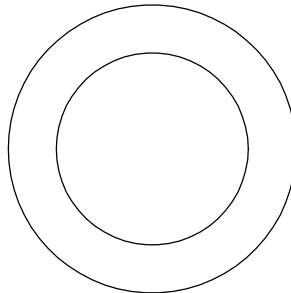
014-0018001
1/2" LONG
SPACER



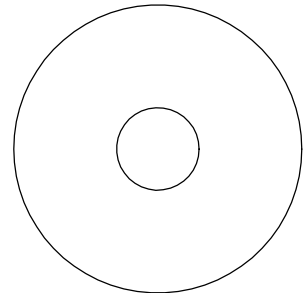
026-01M0238
2" ALUMINUM
FLATHEAD CAP



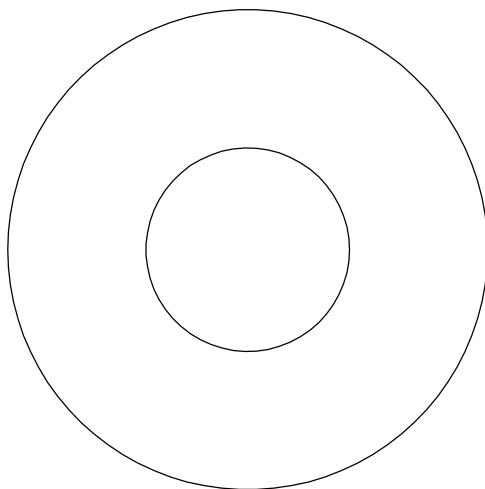
016-0009003
1" SHIM WASHER



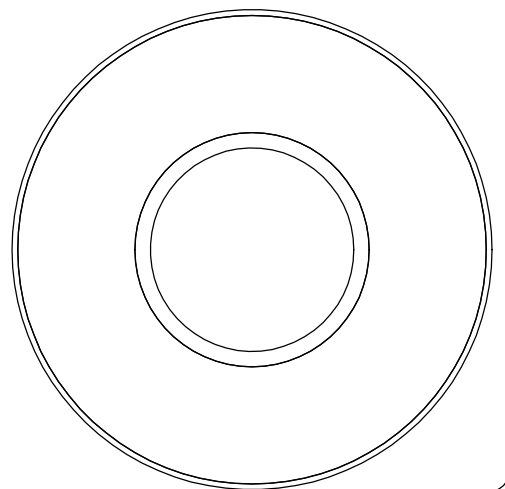
013-0003002
3/8" FENDER WASHER



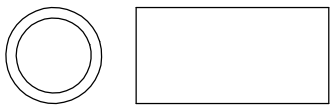
013-0003004
1 1/16"
FENDER WASHER



026-01PL151
PLASTIC 1 1/16"
FENDER WASHER



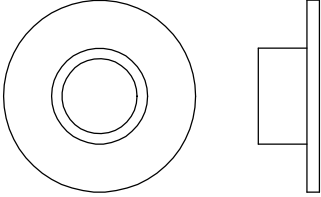
014-0018002
1" LONG
SPACER



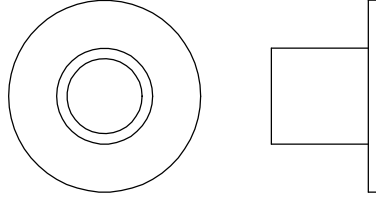
OWNER'S MANUAL

WASHER SIZING CHART (CONTINUED)

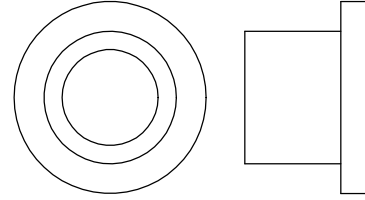
026-01M0211
1/4" LONG
FLANGED SPACER



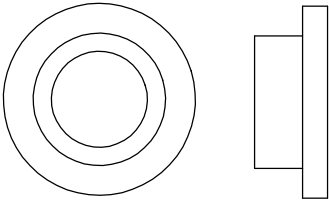
026-01M0198
1/2" LONG
FLANGED SPACER



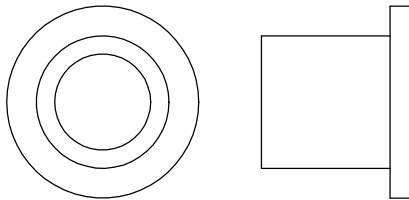
026-01M0760
1/2" LONG HEAVY
FLANGED SPACER



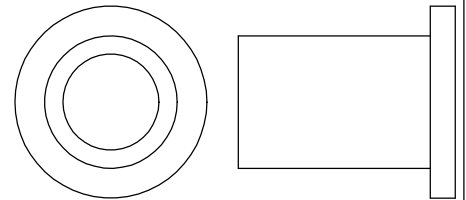
026-01M211T
1/4" LONG HEAVY
FLANGED SPACER



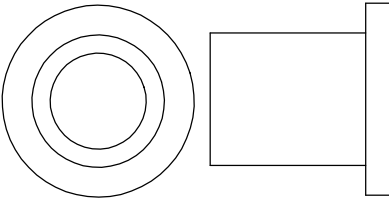
026-01M0532
11/16" LONG HEAVY
FLANGED SPACER



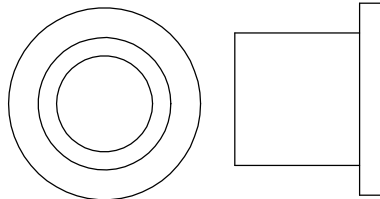
026-01M0551
1" LONG HEAVY
FLANGED SPACER



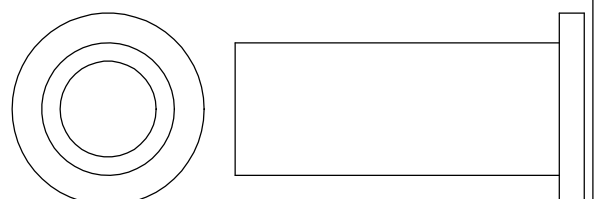
026-01M0788
.81" LONG HEAVY
FLANGED SPACER



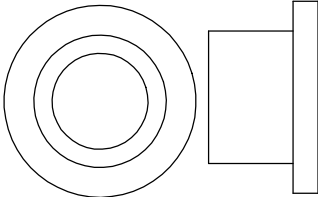
026-01M0780
.65" LONG HEAVY
FLANGED SPACER



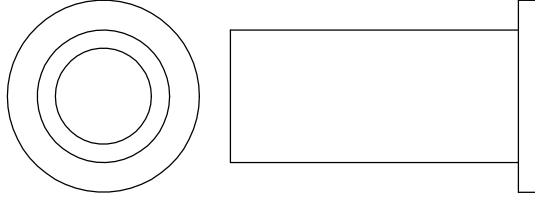
026-01M0761
1 11/16" LONG HEAVY
FLANGED SPACER



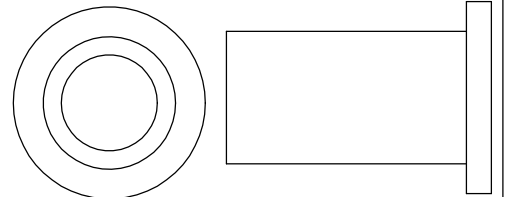
026-01M0789
.44" LONG HEAVY
FLANGED SPACER



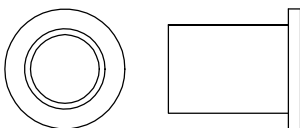
026-01M0762
1 1/2" LONG HEAVY
FLANGED SPACER



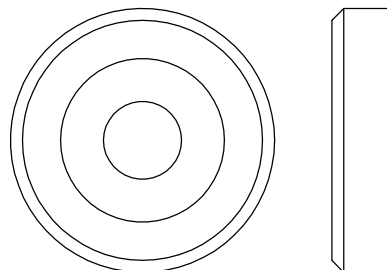
026-01M0768
1 1/4" LONG HEAVY
FLANGED SPACER



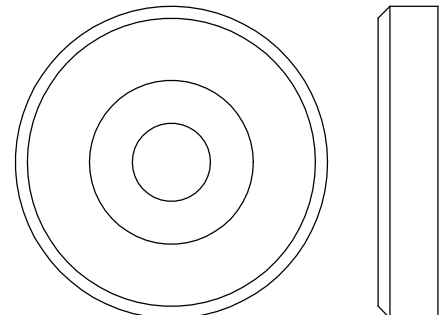
026-01M0600
.625" LONG
FLANGED SPACER



026-01M0240
1 3/8" ALUMINUM
FLATHEAD CAP



026-01M0239
1 5/8" ALUMINUM
FLATHEAD CAP



OWNER'S MANUAL

MAINTENANCE SCHEDULE

ROUTINE	COMMERCIAL / LIGHT COMMERCIAL MAINTENANCE	HOME MAINTENANCE	LATEST DATE ENTRY																	
Inspect; Links, Pull Pins, Snap Locks, Swivels, Weight Stack Pins	DAILY	WEEKLY																		
Clean; Upholstery	DAILY	WEEKLY																		
Inspect; Cables or Belts and their tension	DAILY	WEEKLY																		
Inspect; Accessory Bars, and Handles	WEEKLY	3 MONTHS																		
Inspect; All Decals	WEEKLY	3 MONTHS																		
Inspect; All Nuts and Bolts, Tighten if needed	WEEKLY	3 MONTHS																		
Inspect; Anti-Skid Surface	WEEKLY	3 MONTHS																		
Clean & Lubricate; Guide Rods with a Teflon (PTFE) based lubricant (Superlube)	MONTHLY	3 MONTHS																		
Lubricate; Seat Sleeves, Turcite Bushings, Linear Bearing	MONTHLY	3 MONTHS																		
Clean and Wax; All Glossy Finishes	6 MONTHS	YEARLY																		
Repack with Grease; Linear Bearings	6 MONTHS	YEARLY																		
Replace; Cables, Belts and Connecting Parts	YEARLY	3 YEARS																		

*Your equipment comes with a commercial maintenance decal.
For personal, in home use, please follow the home maintenance schedule listed above.*

Never use ammonia, acid-based, or petroleum-based solvents on any portion of the machine as it may damage the finish.

OWNER'S MANUAL

HOIST FITNESS SYSTEMS GENERAL MAINTENANCE INFORMATION

Links, Pull-Pins, Snap Hooks, Swivels, Weight Stack Pins:

- *Check all pieces for signs of visible wear or damage.
- *Check springs in snap hooks and pull-pins for proper tension and alignment.
- *If the spring sticks or has lost its rigidity, replace it immediately.

Upholstery:

- *To ensure prolonged upholstery life and proper hygiene, all upholstered pads should be wiped down with a damp cloth after every workout.
- *Periodically take the time to use a mild soap or an approved vinyl upholstery cleaner to deter the onset of cracking or drying. Avoid using any abrasive cleaners or cleaners not intended for use on vinyl.
- *Replace ripped or worn upholstery immediately.
- *Keep sharp or pointed objects clear of all upholstery.

Decals:

- *Inspect and familiarize yourself with any safety warnings or other user information posted on each decal.

Nuts and Bolts:

- *Inspect all nuts and bolts for any loosening and tighten if needed.
- *Go through a re-tightening sequence periodically to ensure that all hardware is tensioned proper.

Anti-Skid Surfaces:

- *These surfaces are designed to supply secure footing and need to be replaced if they appear worn or become slippery.

Belts and Cables:

- *Hoist uses only high quality belt, and mil-spec cables.
- *Visually inspect the belts and cables for fraying, cracking, peeling or discoloration.
- *While the machine is not in use, carefully run your fingers along the belt or cable to feel for thinning or bulging areas.
- *Replace belts and cables immediately at the first signs of damage or wear. Do not use equipment until belts or cables have been replaced.

Belt and Cable Tension:

- *Referring to the Owners Manual, when belts or cables are used check all bolts attachments to be sure they are properly attached.
- *Check slack in cables and re-adjust cable tension if needed.

Seat Sleeves, Guide Rods:

- *Wipe down adjusting tubes with a dust free rag before applying lubricant.
- *Lubricate seat sleeves and Guide Rods with a Silicon or Teflon based lubricant spray.

Linear Bearings:

- *Referring to the Owners Manual carefully disassemble the bearing from its housing and place a finger full of light grease (lithium, super lube, etc.) into the inside of the bearing. Using your finger, press the grease into the ball-bearings and their tracks. repeat until the ball-bearing tracks are full of grease. Insert the shaft back into the bearing and wipe off excess grease.

PLEASE KEEP THIS FOR YOUR RECORDS

OWNER'S MANUAL

WEIGHT TRAINING TIPS

Use this manual to guide you through the basic exercises you can perform on your CL-3102 HOIST® Fitness System. To gain maximum results and avoid possible injury, consult a fitness professional to develop your complete exercise program.

Always consult your physician before starting any exercise program.

To be successful in your exercise program, it is important to develop an understanding of the basic principles of strength training. Now that you have your CL-3102 HOIST® Fitness System, it is only natural that you want to get started immediately. First, determine a set of realistic goals and objectives for yourself. By deciding on an exercise plan that is right for you prior to starting, you will contribute significantly to your success.

Warm up properly before engaging in weight resistance training. Stretching, yoga, jogging, calisthenics or other cardiovascular exercise can help prepare your body for the heavier workload of lifting weights.

Learn how to perform the exercise correctly before using heavy weight. Correct form is important to avoid injury and to ensure that you work the proper muscle groups.

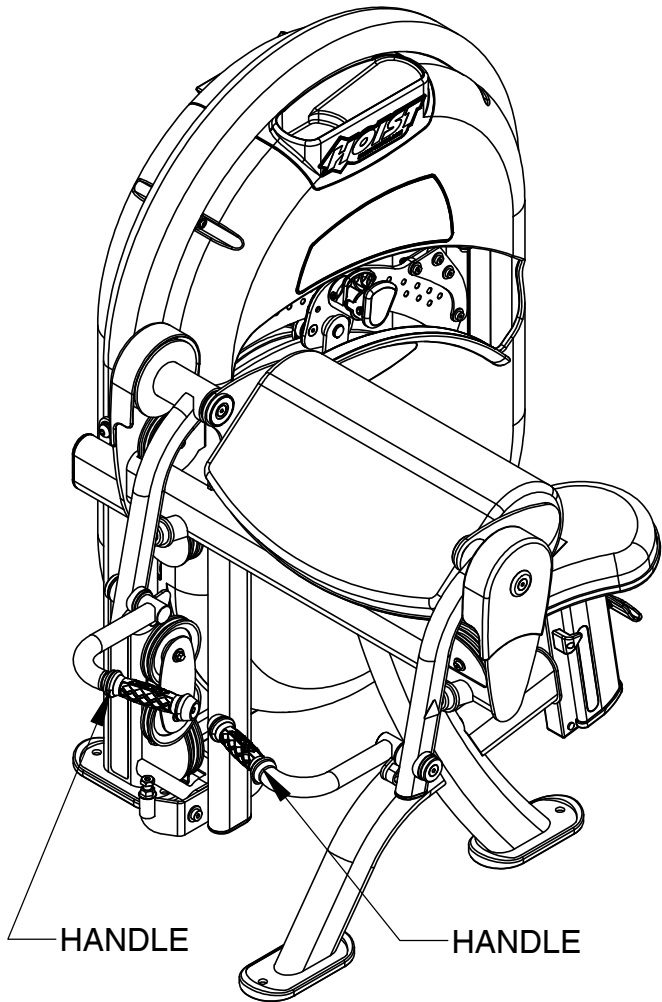
Know your limitations. If you are new to weight training or are embarking on an exercise regimen after a long layoff, start slowly and build foundational strength over a longer period of time.

Pay attention to your breathing. Exhale when you exert is a general rule of thumb. Never hold your breath.

Enjoy your CL-3102 HOIST® Fitness System!

OWNER'S MANUAL

WEIGHT RATIOS



WEIGHT SETTING (LBS)	PER HANDLE (50%)
10	5
15	7.5
20	10
25	12.5
30	15
35	17.5
40	20
45	22.5
50	25
55	27.5
60	30
65	32.5
70	35
75	37.5
80	40
85	42.5
90	45
95	47.5
100	50
105	52.5
110	55
115	57.5
120	60
125	62.5
130	65
135	67.5
140	70
145	72.5
150	75
155	77.5
160	80
165	82.5
170	85
175	87.5
180	90
185	92.5
190	95
195	97.5
200	100

The above chart shows the standard weight stack for this unit. The weights listed are approximate. HOIST reserves the right to modify the machine without prior notice.

OWNER'S MANUAL

HOIST FITNESS SYSTEMS **LIMITED LIFETIME WARRANTY**

Hoist Fitness Systems warrants this product to the **original purchaser** to be free from defects in workmanship and/or materials under normal use or service. If at any time a component part is defective, Hoist Fitness Systems shall repair or replace it (at Hoist Fitness Systems option) within a reasonable period of time. This warranty does not cover costs of removal, transportation or reinstallation. This warranty shall not apply if the defect was caused by misuse, neglect or normal wear and tear.

WARRANTY CLAIMS. All claims require: Model number, Serial number, Date of installation, and any information supporting the existence of the alleged defect.

To complete Warranty Registration visit:
www.HOISTFITNESS.com
and click on the Warranty Registration link

Starting from the original date of purchase, normal wear and tear shall be considered as the following:

COMMERCIAL USE: All malfunctions of upholstery, grips, and coatings that occur up to one year; all malfunctions of belts, or cables up to one year; all malfunctions of pulleys, bearings, or bushings that occur up to three years. The frame and body components are warranted for ten years, with structural moving parts warranted for five years.

LIGHT COMMERCIAL USE: All malfunctions of upholstery, grips, and coatings that occur up to one year; all malfunctions of belts, or cables up to one year; all malfunctions of pulleys, bearings, or bushings that occur up to three years. The frame and body components are warranted for ten years, with structural moving parts warranted for five years.

HOME USE: All malfunctions of grips, paint, and chrome that occur up to ten years; all malfunctions of electronic components, belts, cables, or upholstery that occur up to ten years; all malfunctions of pulleys, bearings, or bushings that occur up to ten years. The frame and all welded components are warranted for the life of the product.

PLEASE NOTE THAT NOT ALL HOIST PRODUCTS ARE MADE FOR COMMERCIAL USE. Refer to the instructions page of your owners manual or consult with you fitness product dealer to establish if a product is made for commercial use or not. Using a non-commercial product in a commercial setting can result in serious injury or death! Hoist Fitness Systems sole responsibility shall be to repair or replace the component within the terms stated above. Hoist Fitness Systems shall not be liable for any loss or damage of any kind including any incidental or consequential damages resulting, directly or indirectly from any warranty expressed or implied or any other failure of this product.

LIGHT COMMERCIAL USE: Our Light Commercial warranty applies to facilities that **DO NOT** charge monthly membership dues and where the equipment would be used by **no more than 50** people per day. Examples of Light Commercial facilities include hotels, apartment complexes, personal training studios, fire stations, police stations, etc., that meet the criteria stated above.

WHAT IS NOT COVERED BY THIS WARRANTY: Hoist's sole obligation under this warranty is limited to either repair or replacement of parts, subject to the additions below. This warranty neither assumes nor authorizes any person to assume obligations other than expressly covered by this warranty.

NO CONSEQUENTIAL DAMAGES: Hoist is not responsible for economic loss; profit loss; or special, indirect, or consequential damages.

WARRANTY IS NOT TRANSFERABLE: This warranty is not assignable and applies only in favor of the original purchaser/user to whom delivered. Any such assignment or transfer shall void the warranties herein made and shall void all warranties, expressed, implied or statutory, except the one (1) and five (5) year warranties described above. These warranties are exclusive and in lieu of all other warranties, including implied warranty and merchantability or fitness for a particular purpose. There are no warranties which extend beyond the description on the face hereof.

TRANSPORTATION COSTS: Hoist will accept parts covered under this warranty freight collect, provided that shipment has received prior approval. Hoist is not responsible for any other transportation costs, but will ship freight collect parts either repaired or replaced under these warranties.

Hoist Fitness Systems
11900 Community Rd.
Poway, CA. 92064
(800)548-5438

PLEASE KEEP THIS FOR YOUR RECORDS