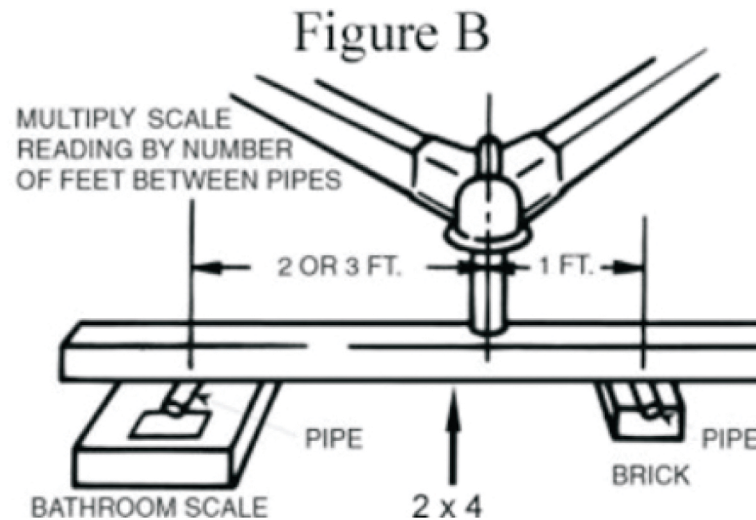
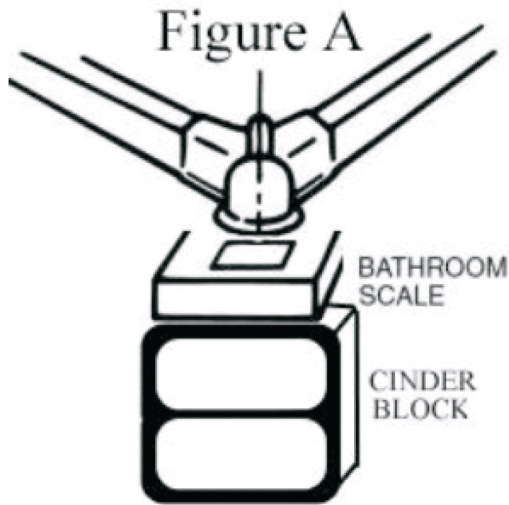


# Determining Trailer Tongue Weight For Your SlingShot

## Bathroom Scale

You can use a bathroom scale and a box to measure tongue weight of smaller trailers. Place the coupler of the loaded trailer on the scale at normal towing height (see Figure A). For heavier tongue weights, use the second method (Figure B). Be sure to perform these measurements on a level surface and with a leveled trailer.



**Remember!!  
the SlingShot  
Only Weighs  
Approximately  
1750 Lbs  
So please be  
careful to know  
how much weight  
you are towing.**

To use the method in Figure B, follow these guidelines:

- Place the trailer tongue 1 ft from the pipe on the support brick
- Multiply the reading on the scale by the total distance between the 2 support pipes
- Use a brick that is the same thickness as the scale so that the 2 x 4 is level when you weigh your trailer

**Example:** If the distance between the trailer tongue and the pipe on the scale is 2 ft, and the distance between the trailer tongue and the pipe on the support brick is 1 ft, then multiply the reading on the scale by 3 to get the tongue weight. If the distance between the trailer tongue and the pipe on the scale is 3 ft and the distance between the trailer tongue and the pipe on the support brick is 1 ft, then multiply the reading on the scale by 4 to get the tongue weight.

*Happy and Safe Trails to You*

Art with <http://www.SlingShotHitch.com>

719-465-9532