

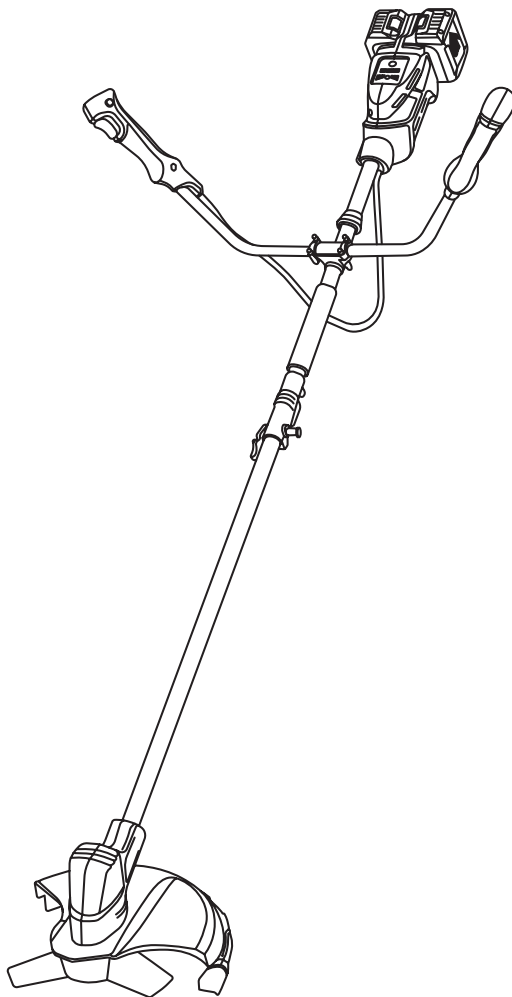
**Please, read this manual
carefully before use!**

Owner's Manual



Cordless brush cutter & String trimmer

KS BCT-20V
KS BCT-40V





Thank you for opting for **Könner & Söhnen®** products. This manual contains a brief description of safety, setup and use. More information can be found on the official importer's website in the support section: **konner-sohnen.com/manuals**

You can also go to the support section and download the manual by scanning the QR code or on the website of the official importer of **Könner & Söhnen®** at **www.konner-sohnen.com**



*Please, read this manual
carefully before use!*

The manufacturer of **Könner & Söhnen®** products reserves the right to make changes that may not be reflected in this manual, namely:

- The manufacturer reserves the right to make changes in the product design, configuration and construction.
- The images and drawings in this manual are for reference only and may differ from the actual components and inscriptions on the products.

Contact information that you are free to use in case of any problems can be found at the end of this manual. All information in this manual is correct to the best of our knowledge and belief at the date of its publication. The current list of service centers can be found on the official importer's website at **www.konner-sohnen.com**



ATTENTION – DANGER!



Failure to follow the recommendations marked with this sign may lead to serious injury or death of the operator or third parties.



IMPORTANT!



Useful information while operating the machine.

IMPORTANT SAFETY INFORMATION

1

WORK AREA

- Keep the work area clean and well lit. Cluttered and dark areas invite accidents.
- Do not operate power tools in explosive atmospheres, such as in the presence of flammable liquids, gases or dust. Power tools create sparks, which may ignite the dust or fumes.
- Keep children or unauthorized individuals away from the work area, while working with power tools. Distractions can cause you to lose control.

ELECTRICAL SAFETY

- Do not store or use power tools in wet conditions (rain, snow). Water entering a power tool will increase the risk of electric shock.

PERSONAL SAFETY

- Do not operate tool when you are tired or under the influence of drugs, alcohol or medication.
- Use safety equipment. Always wear eye protection. Safety equipment such as dust mask, non-skid safety shoes, hard hat, or hearing protection will reduce personal injuries.
- Do not overreach. Keep proper footing and balance at all times. This enables better control of the power tool in unexpected situations.
- Do not wear loose clothing or jewellery, keep your hair, clothing and gloves away from moving parts. Loose clothes, jewellery or long hair can be caught in moving parts.

POWER TOOL USE AND CARE

- Store idle power tools out of the reach of children.
- Maintain power tools.

ADDITIONAL SAFETY WARNINGS FOR BRUSH CUTTERS

2

- Avoid Unintentional Starting. Do not carry battery-installed equipment with finger on switch. Be sure switch is off when installing a battery cartridge.
- The motor is to be switched off immediately in case that the equipment shows any problem or abnormal sign.
- Switch off and remove the battery cartridge when resting and when leaving the equipment unattended, and place it in a safe location to prevent danger to others or damage to the equipment.
- Don't force the equipment. It will do the job better and with less likelihood of a risk of injury at the rate for which it was designed.
- Don't overreach. Keep proper footing and balance at all times.

CHECK BEFORE STARTING

- Always remove the battery to prevent the machine being started by accident. Always disconnect the battery before any maintenance on the machine.
- Before using the machine and after any impact, check for signs of wear or damage and repair as necessary.
- Inspect the working area. Remove all loose objects, such as stones, broken glass, nails, steel wire, string, etc. that could be thrown out or become wrapped around the cutter or cutter guard.

PERSONAL SAFETY

- The cutting tool does not stop immediately after the machine is turned off.
- The machine is only design for brush/trimmer . Do not use the Brush cutter/grass trimmer for any job except that for which it is intended.
- Store the equipment in a lockable area so that it is out of reach of children and unauthorized persons.
- Keep hands and feet away from the cutting area at all times and especially when switching on the motor.




POWER TOOL USE AND CARE




- Only use original spare parts.
- Always ensure that ventilation openings are kept clear of debris.
- All covers, guards and handles must be fitted before starting.
- Only use the machine in daylight or in other well-lit conditions.
- Never use the machine in bad weather, for instance in fog, in rain, damp or in wet locations, strong winds, intense cold, risk of lightning, etc. Extremely hot weather may cause overheating of the machine

SYMBOLS

3

Some of the following symbols may be used on this product. Please study them and learn their meaning. Proper interpretation of these symbols will allow you to operate the product better and safer.

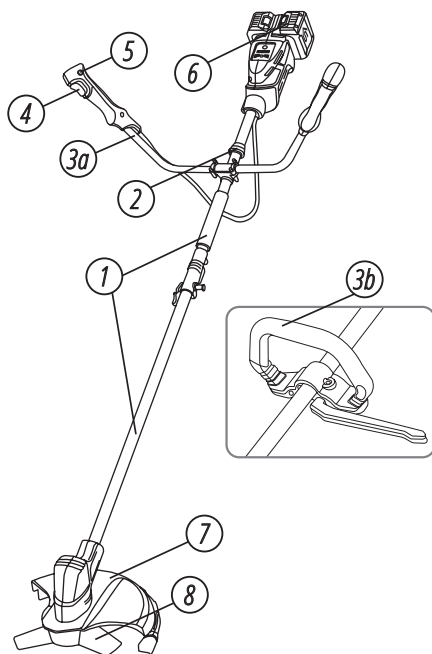
	<p>Read all safety warnings and all instructions. Failure to follow the warnings and instructions may result in electric shock, fire and/or serious injury.</p>
	<p>Wear personal protective equipment. Basically, wear protective goggles or, even better, face protection, ear protection, safety helmet, cut-protection working clothes, cut-protection safety boots with anti-slip soles.</p>
	<p>Beware of falling objects. Keep bystanders away.</p>

	Keep the equipment away from nearby people. Keep bystanders away.
	Not allowed to use with round disk
	Do not use the machine in the rain or leave it outdoors when it is raining.

MAIN OVERVIEW

4

1. Drive shaft assembly
2. Shoulder strap attachment
3. a) 'Bike' handle
(for model KS BCT-40V)
3. b) Circular handle
(for model KS BCT-20V)
4. Switch trigger
5. Safety switch
6. Lithium battery
(not included)
7. Protection guard
8. Cutting disc



PACKAGE CONTENT LIST

- Brush cutter
- Protecting guard
- Harness
- Cutting disc
- Spool
- Socket wrench
- Hex spanner



WARNING!



Packaging materials are not toys! Children must not play with plastic bags! Danger of suffocation!

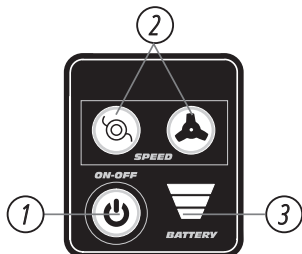


IMPORTANT!



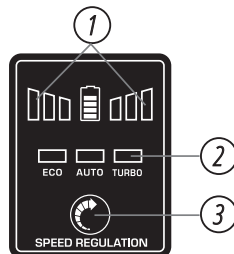
Manufacturer reserves the right to make changes and/or improvements in design, components set and technical attributes without notice and without incurring obligation. The pictures in this manual are schematical and may not match the parameters of original product.

MODEL KS BCT-20V



1. ON/OFF button
2. Speed selection buttons
3. Battery level indicator

MODEL KS BCT-40V



1. Left and right battery level indicators
2. Speed indicator
3. Speed selection button

SPECIFICATIONS

6

Model	KS BCT-20V	KS BCT-40V
Rated voltage	20V	40V (20V+20V)
Motor type	Brushless motor	
Cutting width (spool)	12" (300 mm)	12" (300 mm)
Cutting width (cutting disc)	255 mm	255 mm
Knife	3 tanden	
Line size	Ø2.0 mm	Ø2.0 mm
No load speed	5500–7500 rpm	5500–7500 rpm
Gross dimensions (L×W×H)	970×270×100 mm	970×270×100 mm
Gross weight	5.0/4.5 kg	5.0/4.5 kg

NOISE



WARNING!



Wear hearing protection when sound pressure is over 85 dB(A).

KS BCT-20V: Acoustic power level Lwa 96 dB.

KS BCT-40V: Acoustic power level Lwa 96 dB.

ASSEMBLY

7

BLADE ASSEMBLY (FIG.2)

Assembling small blade (2) on protective cover (1) with 2pcs ST4*16 screws (3).

SHAFT ASSEMBLY (FIG. 3)

1. Loosen the knob (14).
2. Pull the lock (15) outward and turn it left or right as far as it goes.
3. Slide the front tubular shaft onto the tubular shaft on the device housing.
4. Pull the lock (15) outward and turn it back to its original position.

5. Turn the front tubular shaft with a gentle rotating movement until the lock (15) clicks into place in the bore on the front tubular shaft .

6. Fix the tubular shaft in place with the knob (14).

BIKE HANDLE INSTALLATION FOR MODEL KS BCT-40V (FIG. 4)

Place handle between handle clamp and handle holder. Adjust the handle to an angle that provides a comfortable working position and then tighten four screws(A) so that the handle assembly cannot move.

INSTALLATION PROTECTION GUARD (FIG. 5)

Fit the correct trimmer guard for use with the motor, then tighten three screws so that the guard assembly cannot move.

INSTALLING THE HARNESS (FIG. 6)

1. Adjust the harness hanger in a comfortable position
2. Buckle the harness at the hanger

REPLACE THE METAL BLADE TO SPOOL



ATTENTION – DANGER!



NEVER use unit if blade is warped or has teeth that are chipped or missing. Replace a damaged blade immediately.



WARNING!



Always wear heavy-duty work gloves when handling and installing a blade.

METAL BLADE (FIG. 7)

1. Turn the tool upside down so that you can replace the cutter blade (2) easily.
2. To dismount the cutter blade (2), insert the hex wrench through the hole of the machine body under the cutter blade and into the receive washer (1). rotate the cutter blade (1) until it is locked with the hex wrench. Loosen the hex nut (5) (left-hand thread)with the hex socket wrench and remove the nut (5), cup (4), clamp washer (3) and hex wrench.
3. Mount the cutter blade (2) onto the shaft so that the guide of the receive washer fits in the arbor hole in the cutter blade . Install the clamp washer (3), cup (4), and secure the cutter blade (2) with the hex nut (5) with 13 to 23Nm of tightening torque during holding the receive washer (1) with hex wrench. Then tighten the one nut by clockwise rotate.

SPOOL

1. Installing order is A-F (Fig.8)
2. Hold the trimmer head, insert the hex wrench through the hole on the receive washer, then tighten the one nut by clockwise rotate (Fig. 9)
3. Fit the spring into the trimmer head (Fig. 9)
4. Align the protrusion on the underside of the cover with the slots of the eyelets. Then push cover firmly onto the housing to secure it. Make sure the latches fully spread in the cover.



WARNING!



If the line is too long when you use the equipment for the first time, the surplus end of it will be cut by the blade on the guard hood.

STARTING THE MACHINE

To start the equipment, press the main switch than depress the safety switch and pull the switch trigger. The tool speed is increased by increasing pressure on the switch trigger. Release the switch trigger to stop.

STOPPING THE MACHINE

To switch the appliance off, release the switch trigger.

TRIMMING PROCEDURES

When properly equipped with a debris shield and stringhead, your unit will trim unsightly weeds and tall grass in those hard-to-reach areas - along fences, walls, foundations and around trees. It can also be used for scalping to remove vegetation down to the ground for easier preparation of a garden or to clean out a particular area.



NOTE



Even if you are careful, trimming around foundations, brick or stone walls, curves, etc., will result in above-normal string wear. To renew the wire, press the lower spool knob against the ground with rotating trimmer.

TRIMMING/MOWING

Swing trimmer with a sickle-like motion from side to side. Do not tilt the stringhead during the procedure. Test area to be trimmed for proper cutting height. Keep stringhead at same level for even depth of cut.

CLOSER TRIMMING

Position trimmer straight ahead with a slight tilt so bottom of stringhead is above ground level and string contact occurs at proper cutting point. Always cut away from operator. Do not pull trimmer in towards operator.

FENCE/FOUNDATION TRIMMING

Approach trimming around chain link fences, picket fences, rock walls and foundations slowly to cut close without whipping string against the barrier. If the string comes in contact with rock, brick walls, or foundations, it will break or fray. If string hits fencing, it will snap off.

TRIMMING AROUND TREES

Trim around tree trunks slowly so string does not contact bark. Walk around the tree trimming from left to right. Approach grass or weeds with the tip of the string and tilt stringhead slightly forward.

SCALPING



ATTENTION - DANGER!



Use extreme caution when SCALPING. Keep a distance of 30 meters (100 feet) between operator, other people and animals during these operations.

Scalping refers to removal of all vegetation down to the ground. To do this, tilt the stringhead to about a 30 degree angle to the right. By adjusting the handle you will have better control during this operation. Do not attempt this procedure if there is any chance that flying debris could injure the operator, other people, or cause damage to property



ATTENTION - DANGER!



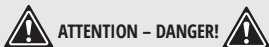
DO NOT SWEEP WITH TRIMMER!

Sweeping refers to tilting stringhead to sweep away debris from walkways, etc. Your trimmer is a powerful tool and small stones or other such debris may be hurled 50 feet (15 metres) or more, causing injury or damage to nearby property such as automobiles, homes and windows.

AVOID KICKOUT

Kickout refers to the reaction of a moving blade if it contacts a strong tree, brush or a solid object. The force that results violently pushes the blade away in an arc. Kickout may cause loss of control resulting in injury to the operator or bystanders.

Do not use a blade near a chain link fence, metal stakes, landscape borders or building foundations.



Do not cut with dull, cracked or damaged metal blade. Before cutting growth, inspect for obstructions such as boulders, metal stakes or strands of wire from broken fences. If an obstruction can not be removed, mark its location so that you can avoid it with the blade. Rocks and metal will dull or damage a blade. Wire can catch on the blade head and flap around or be thrown into the air.



WARNING!



Do not use a brush cutter for cutting trees.

CLEANING AND MAINTENANCE

10

- Regularly clean the ventilation slot in your tool using a soft brush or dry cloth.
- Regularly clean the cutting line and spool using a soft brush or dry cloth.
- Regularly use a blunt scraper to remove grass and dirt from the underneath of the guard.

WARRANTY SERVICE TERMS

11

The international manufacturer warranty is 1 year. The warranty period starts from the date of purchase. In cases when warranty period is longer than 1 year according to local legislation please contact your local dealer. The Seller which sells the product is responsible for granting the warranty. Please contact the Seller for warranty. Within the warranty period, if the product fails because of defects in the production process, it will be exchanged on the same product or repaired.

All faults caused by the manufacturer during the warranty period will be eliminated free of charge. Warranty repair is carried out only if you have a fully completed warranty card, the Buyer's signature of acceptance of the warranty terms, as well as a document supporting the purchase (cash receipt, sales slip or invoice). In the absence thereof, as well as in the event of errors or corrections not authenticated by the seller's seal or illegible inscriptions in the warranty card or tear-off coupon, no warranty repair is carried out, no objections to quality are accepted and the warranty card is withdrawn by the service center as invalid. The device is accepted for repair clean and full.



Fig. 2

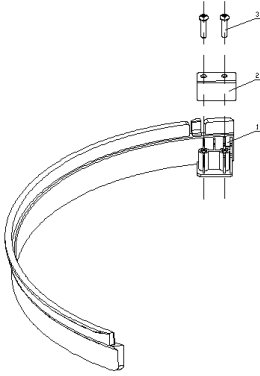


Fig. 3

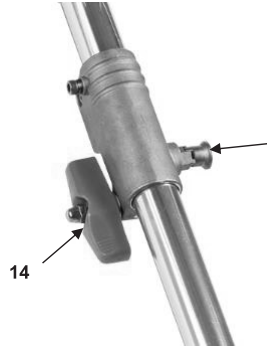


Fig. 4

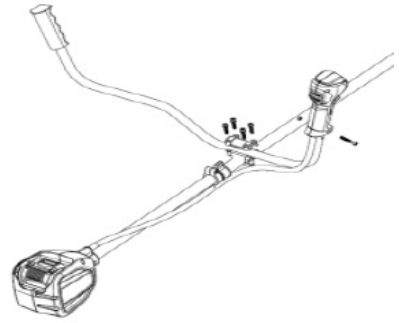


Fig. 5

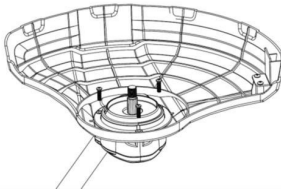


Fig. 6



Fig. 7

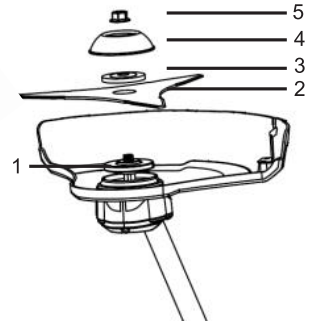


Fig. 8

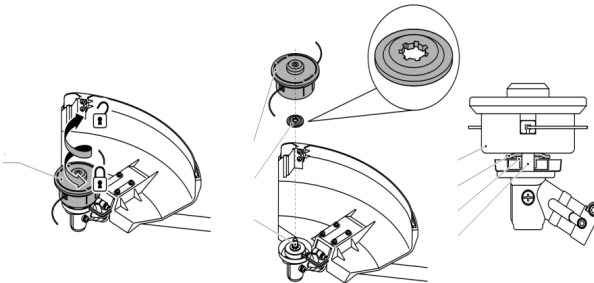
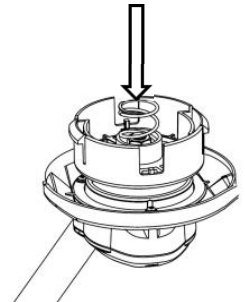


Fig. 9





EC Declaration of Conformity

Nr. 173

The following products have been tested by us with the listed standards and found in compliance with the European Community Directive 2014/30/EU relating to electromagnetic compatibility, Directive 2006/42/EC relating to machinery.

Manufacturer: DIMAX INTERNATIONAL GmbH
Address: Flinger Broich 203, 40235 Duesseldorf, Germany
Product: Cordless Brush Cutter and String Trimmer "Könner & Söhnen"
Type / Model: KS BCT-20V, KS BCT-40V

The statement is based on a single evaluation of above mentioned products. It does not imply an assessment of the whole production and does not permit the use of the test lab. logo. The manufacturer should ensure that all product in series production are in conformity with the product sample detailed in this report. The applicant should hold the whole technical report at disposal of the competent all the right.

Applied EC Directives: 2014/30/EU Electromagnetic compatibility Directive (EMC)
2006/42/EC Machinery Directive

Applied Standards: EN IEC 55014-1:2021
EN IEC 55014-2:2021
EN 60335-1:2012 +A11:2014 +A13:2017
+A1:2019 +A2:2019 +A14:2019
EN 50636-2-91:2014
EN ISO 11806-1:2011

2000/14/EC_2005/88/EC Annex VI

For model KS BCT-20V Noise measured Lwa = 94 dB (A), guaranteed Lwa = 96 dB (A)
For model KS BCT-40V Noise measured Lwa = 93 dB (A), guaranteed Lwa = 96 dB (A)



Issued Date: 2024-01-05
Place of issue: Duesseldorf
Director: Fomin P.

P. Fomin

DIMAX
International GmbH
Flinger Broich 203 40235 Düsseldorf
USt-ID DE296177274
koenner-soehnen.com

We DIMAX INTERNATIONAL GmbH hereby declare that specified above conforms covering European Parliament and Council Directives, 2006/42/EC of 17 May 2006 Machinery Directive, Electromagnetic compatibility Directive (EMC) 2014/30/EC of 26 February 2014. The CE mark above can be used under the responsibility of manufacturer. After completion of an EC declaration of Conformity and compliance with all relevant EC directives.

CONTACTS

Deutschland:

DIMAX International GmbH
Flinger Broich 203 -FortunaPark-
40235 Düsseldorf, Deutschland
www.koenner-soehnen.com

Ihre Bestellungen

orders@dimaxgroup.de

Kundendienst, technische Fragen und Unterstützung

support@dimaxgroup.de

Garantie, Reparatur und Service

service@dimaxgroup.de

Sonstiges

info@dimaxgroup.de

Polska:

DIMAX International
Poland Sp.z o.o.

Polska, Warczawska,
306B 05-082 Stare Babice,
info.pl@dimaxgroup.de

Україна:

ТОВ «Техно Трейд КС»,
вул. Електротехнічна 47, 02222,
м. Київ, Україна

sales@ks-power.com.ua
