



Filippi

SPARE PARTS list

Complete accessories sheets for Filippi's racing, adaptive and coastal boats

version n°35 r.6

INNOVATION MADE FOR WORLD CLASS PERFORMANCE



INDEX

RACING 6

4 IN 1 SINGLE ACTION SEAT	6
4 IN 1 SINGLE ACTION ADJUSTABLE SEAT	8
4 IN 1 SINGLE ACTION ADJUSTABLE LIGHT SEAT	10
TRADITIONAL SINGLE ACTION SEAT	12
TRADITIONAL SINGLE ACTION ADJUSTABLE SEAT	14
RAILS	16
FOOTSTRETCHERS	18
<i>FOOTSTRETCHERS (after 06/2017)</i>	18
<i>FOOTSTRETCHERS ACCESSORIES</i>	19
<i>FOOTSTRETCHERS supplied before 2017</i>	20
ADAPTIVE	20
CARBON KIT	21
PLATES	22
<i>FOR BOATS SUPPLIED AFTER 2015</i>	22
<i>FOR BOATS SUPPLIED BEFORE 2015</i>	23
FILIPPI MAS SHOES	24
FINS AND RUDDERS	26
SWEEP ALUMINIUM WING RIGGER	28
SCULL ALUMINIUM WING RIGGER	30
SCULL ALUMINIUM WING RIGGER ALIANTE	32
SWEEP CARBON WING RIGGER ALIANTE	34
SCULL CARBON WING RIGGER ALIANTE	36
SWEEP MONOLITHIC CARBON WING RIGGER	38
SCULL MONOLITHIC CARBON WING RIGGER	40
4 STAY SWEEP ALUMINIUM RIGGER	42
3 STAY SCULL ALUMINIUM RIGGER	44
SWEEP CARBON WING RIGGER (360° pitch)	46
SCULL CARBON WING RIGGER (360° pitch)	48
CARBON TUBULAR SWEEP / SCULL RIGGER	50
BACKSTAY	52
<i>BACKSTAY FOR 3 AND 4 STAY ALUMINIUM RIGGER</i>	53
<i>BACKSTAY FOR WING RIGGER</i>	53
<i>CARBON BACKSTAY</i>	55
<i>ADJUSTABLE BACKSTAY</i>	55
ACCESSORIES	56

FOLDING STAND	56
OARS	56
WATER BOTTLES	58
NANOTECHNOLOGICAL CLEANING KIT	58
BOAT COVERS	58
OTHER ACCESSORIES	59
NIELSEN-KELLERMAN MERCHANDISE	61
FILIPPI COLLECTION	62

ADAPTIVE 64

SCULL ALUMINIUM WING RIGGER	64
SCULL ALUMINIUM WING RIGGER ALIANTE	66
CARBON WING RIGGER	68
SCULL CARBON WING RIGGER ALIANTE	70
1x ADAPTIVE BOAT SEAT	72
2x ADAPTIVE BOAT SEAT	74

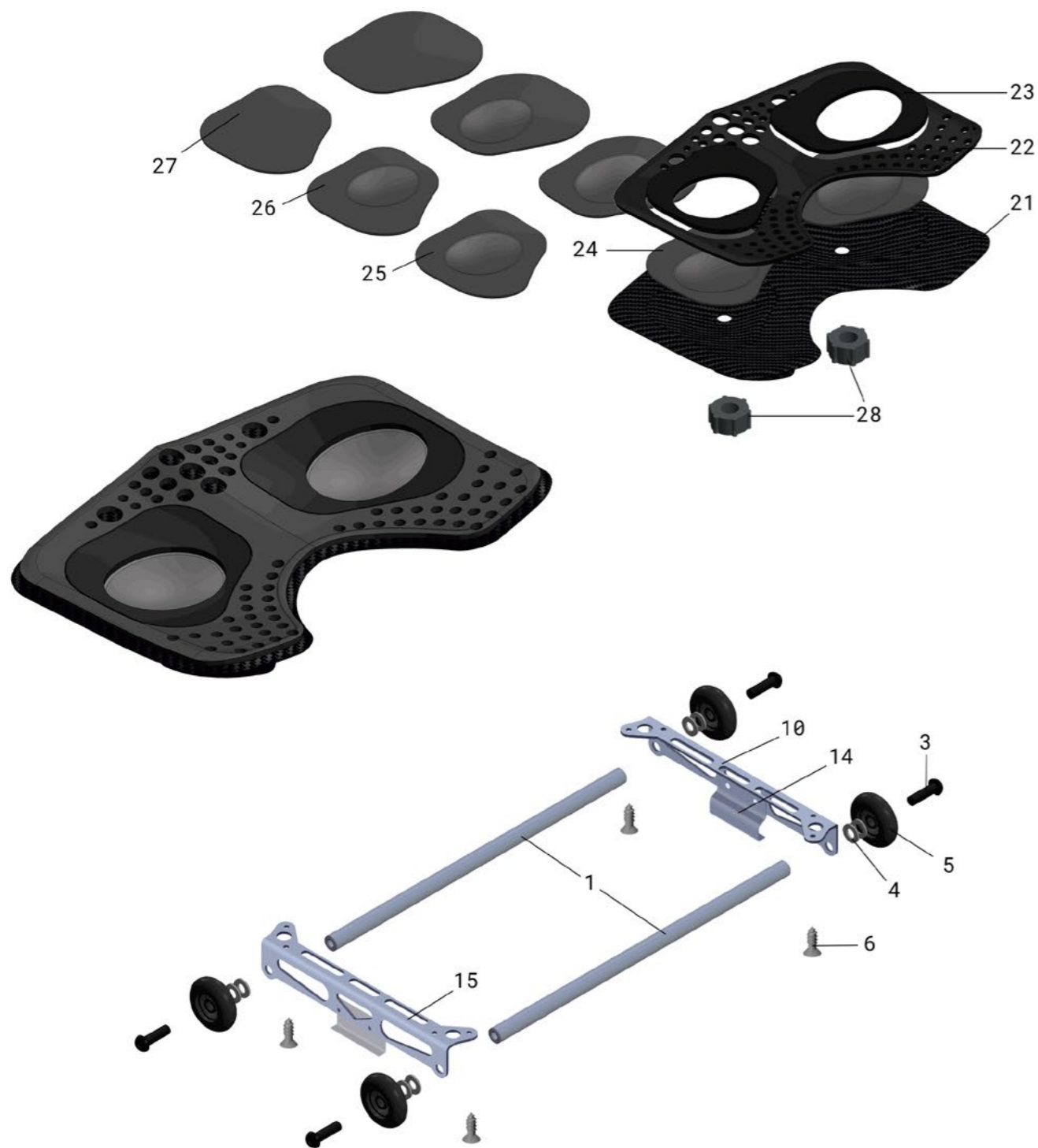
COASTAL 76

ALIANTE ALUMINIUM RIGGER FOR 1x	76
ALIANTE CARBON RIGGER FOR 1x	78
RIGGER FOR 2x / 4x+	80
STEERING COMPONENTS ON COASTAL 4x+	82
RUDDER FOR COASTAL 4x+	84
COXSWAIN SEAT	86

The Spare Parts list is subject to continuous update. We kindly ask you to rely always and only to the online version available at www.filippiboats.com

Anytime you place a spare order, please provide the code/s of the item/s needed.

4 IN 1 SINGLE ACTION SEAT

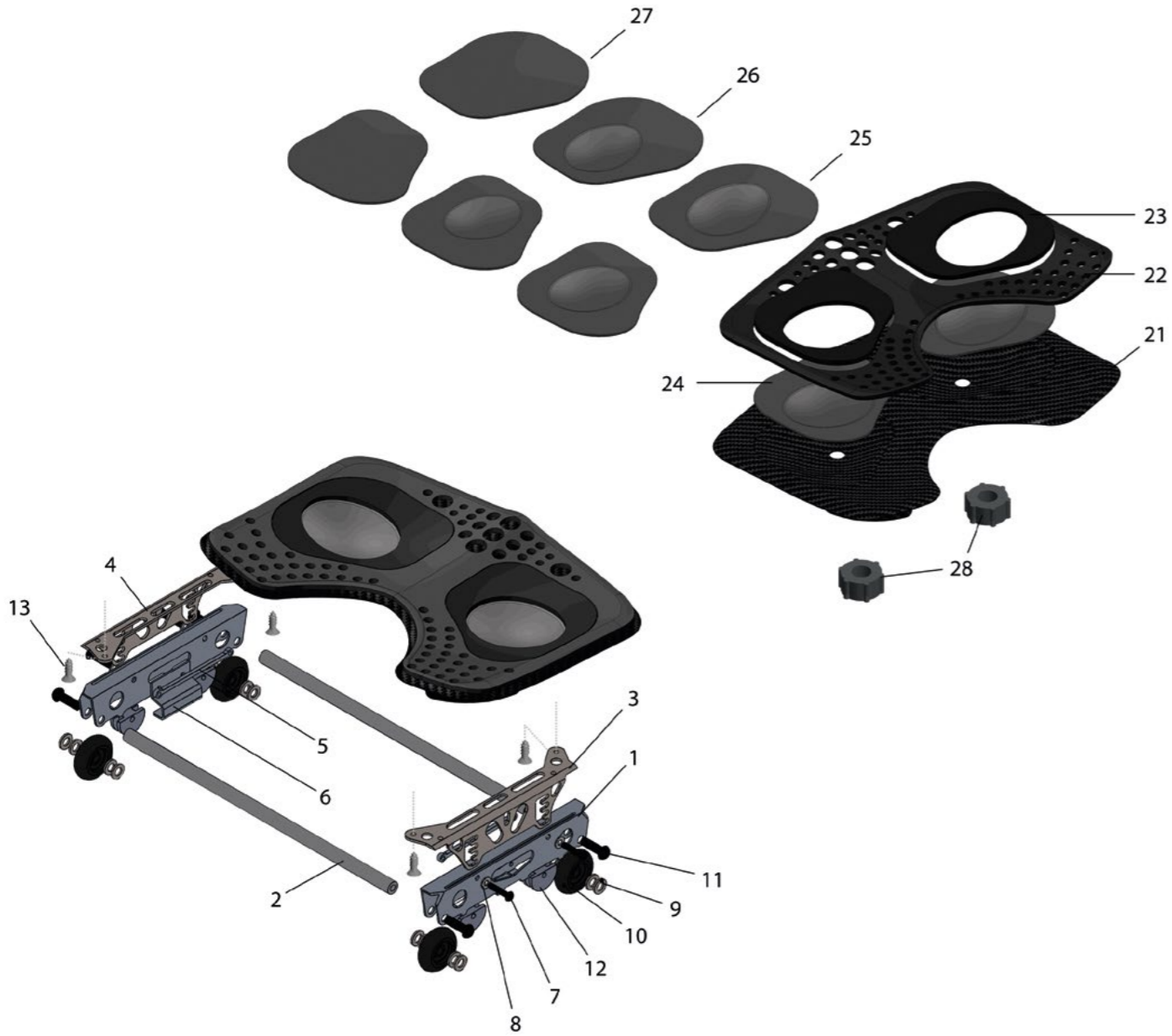


N°	Code	Description
	VACAF1023417	4 in 1 single action seat cm 23 with medium inserts
	VACAF1025418	4 in 1 single action seat cm 25 with medium inserts
	VACAF1028419	4 in 1 single action seat cm 28 with medium inserts
	VACAF1030420	4 in 1 single action seat cm 30 with medium inserts
	VACAF1030CR	4 in 1 single action seat 30cm for Coastal boats
	VACAF1217+1	Complete undercarriage for single action seat cm 23-25-28, 1 cm higher
	VACAF1217+2	Complete undercarriage for single action seat cm 23-25-28 cm, 2 cm higher
	VACAF1223	Complete undercarriage for cm 23 4 in 1 single action seat
	VACAF1225	Complete undercarriage for cm 25 4 in 1 single action seat
	VACAF1228	Complete undercarriage for cm 28 4 in 1 single action seat
	VACAF1230	Complete undercarriage for cm 30 4 in 1 single action seat
1	VACAXX30	Axle for cm 30 undercarriage
1	VACAXX25	Axle for cm 25 undercarriage
1	VACAXX28	Axle for cm 28 undercarriage
1	VACAXX23	Axle for cm 23 undercarriage
3	AVV6030A	Wheel bolt (M6 x 30)
4	VABXXA006A	6mm washer
5	VACAF1400	Nylon wheel for undercarriage
6	AVV3595P	Self-tapping cross-head screw 3.5 x 9.5
10	VACAX120023D	anodised aluminium angle bar for cm 23 undercarriage (right)
15	VACAX120023S	anodised aluminium angle bar for cm 23 undercarriage (left)
10	VACAX120025D	anodised aluminium angle bar for cm 25 undercarriage (right)
15	VACAX120025S	anodised aluminium angle bar for cm 25 undercarriage (left)
10	VACAX120028D	anodised aluminium angle bar for cm 28 undercarriage (right)
15	VACAX120028S	anodised aluminium angle bar for cm 28 undercarriage (left)
10	VACAX120030D	Anodised aluminium angle bar for cm 30 undercarriage (right)
15	VACAX120030S	Anodised aluminium angle bar for cm 30 undercarriage (left)
21	VACASED28	Carbon top seat cm 28
21	VACASED30	Carbon top seat cm 30
21	VACASED25	Carbon top seat cm 25
21	VACASED23	Carbon top seat cm 23
22	VACAX7028BIS	Pad for cm 28/30 "4in1" carbon top seat
22	VACAX7023BIS	Pad for cm 23/25 "4in1" carbon top seat
23	VACAX7017S	Adhesive pad for small insert
23	VACAX7017L	Adhesive pad for large insert
23	VACAX7017M	Adhesive pad for medium insert
23	VACAX7017F	Adhesive pad for flat insert
24	VACAS14425M	Pair of medium inserts for "4in1" carbon top seat
25	VACAS14425L	Pair of large inserts for "4in1" carbon top seat
26	VACAS14425S	Pair of small inserts for "4in1" carbon top seat
27	VACAS14425	Pair of flat inserts for "4in1" carbon top seat
28	VACASCLIP	Pair of insert clips for carbon top seat

*specify wheelbase

PLEASE PROVIDE BOAT SERIAL NUMBER WHEN YOU PLACE THE ORDER

4 IN 1 SINGLE ACTION ADJUSTABLE SEAT

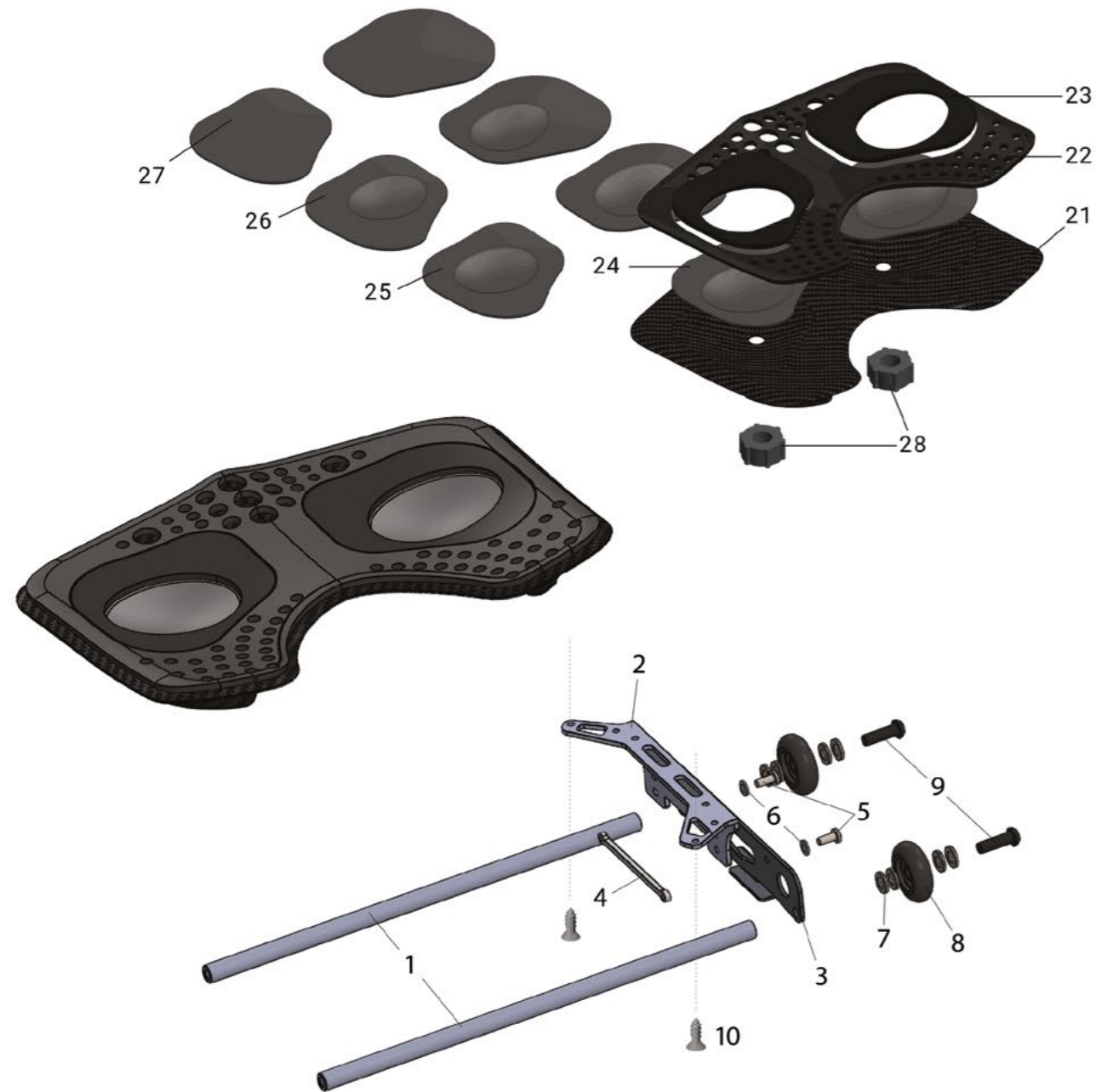


No.	Code	Description
	VACAF1023421	Adjustable 4 in 1 single action seat cm 23 with medium inserts
	VACAF1025422	Adjustable 4 in 1 single action seat cm 25 with medium inserts
	VACAF1028423	Adjustable 4 in 1 single action seat cm 28 with medium inserts
	VACAF1030424	Adjustable 4 in 1 single action seat cm 30 with medium inserts
	VACAF23R	Complete undercarriage for cm 23 4 in 1 adjustable single action seat
	VACAF25R	Complete undercarriage for cm 25 4 in 1 adjustable single action seat
	VACAF28R	Complete undercarriage for cm 28 4 in 1 adjustable single action seat
	VACAF30R	Complete undercarriage for cm 30 4 in 1 adjustable single action seat

N°	Code	Description
1	VACAX1200R	Undercarriage U-profile for adjustable seat
2	VACAXX23	Axle for cm 23 undercarriage
2	VACAXX25	Axle for cm 25 undercarriage
2	VACAXX28	Axle for cm 28 undercarriage
2	VACAXX30	Axle for cm 30 undercarriage
3	VACAX1200R23D	nautical stainless steel angle bar for cm 23 adjustable undercarriage (right)
3	VACAX1200R25D	nautical stainless steel angle bar for cm 25 adjustable undercarriage (right)
3	VACAX1200R28D	nautical stainless steel angle bar for cm 28 adjustable undercarriage (right)
3	VACAX1200R30D	nautical stainless steel angle bar for cm 30 adjustable undercarriage (right)
4	VACAX1200R23S	nautical stainless steel angle bar for cm 23 adjustable undercarriage (left)
4	VACAX1200R25S	nautical stainless steel angle bar for cm 25 adjustable undercarriage (left)
4	VACAX1200R28S	nautical stainless steel angle bar for cm 28 adjustable undercarriage (left)
4	VACAX1200R30S	nautical stainless steel angle bar for cm 30 adjustable undercarriage (left)
5	VACAXXR4	8 shaped nut for adjustable undercarriage
6	VACAXACHAS	Aluminum clamp for undercarriage
7	VACAXXRV4	M4 x 20 mm cross-head screw for adjustable undercarriage
8	VABXXA004A	4 mm washer
9	VABXXA006A	6 mm washer
10	VACAF1400	Nylon wheel for undercarriage
11	AVV6030A	Wheel bolt (M6 x 30)
12	VACAXXRSP	PVC wedge for adjustable undercarriage
13	AVV3595P	Self-tapping cross-head screw 3.5 x 9.5
21	VACASED23	Carbon top seat cm 23
21	VACASED25	Carbon top seat cm 25
21	VACASED28	Carbon top seat cm 28
21	VACASED30	Carbon top seat cm 30
22	VACAX7023BIS	Pad for cm 23/25 "4in1" carbon top seat
22	VACAX7028BIS	Pad for cm 28/30 "4in1" carbon top seat
23	VACAX7017F	Adhesive pad for flat insert
23	VACAX7017L	Adhesive pad for large insert
23	VACAX7017M	Adhesive pad for medium insert
23	VACAX7017S	Adhesive pad for small insert
24	VACAS14425L	Pair of large inserts for "4in1" carbon top seat
25	VACAS14425M	Pair of medium inserts for "4in1" carbon top seat
26	VACAS14425S	Pair of small inserts for "4in1" carbon top seat
27	VACAS14425	Pair of flat inserts for "4in1" carbon top seat
28	VACASCLIP	Pair of insert clips for carbon top seat

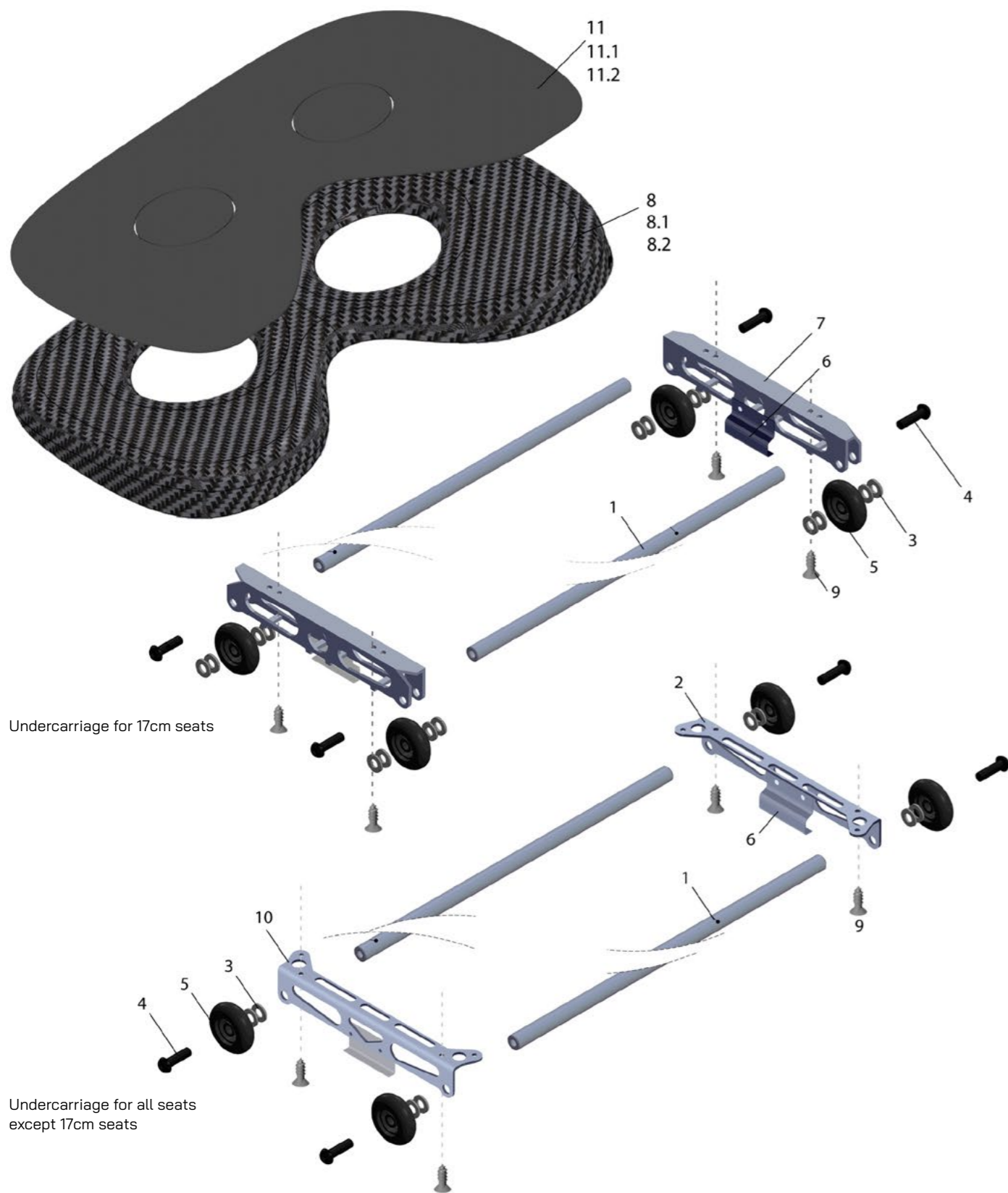
PLEASE PROVIDE BOAT SERIAL NUMBER WHEN YOU PLACE THE ORDER

4 IN 1 SINGLE ACTION ADJUSTABLE LIGHT SEAT



No.	Code	Description
	VACAF1025422L	4 in 1 light adjustable single action seat cm 25 with medium inserts
	VACAF1028423L	4 in 1 light adjustable single action seat cm 28 with medium inserts
	VACAF1030424L	4 in 1 light adjustable single action seat cm 30 with medium inserts
	VACAF25RL	Complete undercarriage for cm 25 4 in 1 light adjustable single action seat
	VACAF28RL	Complete undercarriage for cm 28 4 in 1 light adjustable single action seat
	VACAF30RL	Complete undercarriage for cm 30 4 in 1 light adjustable single action seat
1	VACAXX25	Axle for cm 25 undercarriage
1	VACAXX28	Axle for cm 28 undercarriage
1	VACAXX30	Axle for cm 30 undercarriage
2	VACAXAN25D	anodized aluminium angle bar for cm 25 4 in 1 light adj. single action seat (right)
2	VACAXAN25S	anodized aluminium angle bar for cm 25 4 in 1 light adj. single action seat (left)
2	VACAXAN28D	anodized aluminium angle bar for cm 28 4 in 1 light adj. single action seat (right)
2	VACAXAN28S	anodized aluminium angle bar for cm 28 4 in 1 light adj. single action seat (left)
2	VACAXAN30D	anodized aluminium angle bar for cm 30 4 in 1 light adj. single action seat (right)
2	VACAXAN30S	anodized aluminium angle bar for cm 30 4 in 1 light adj. single action seat (left)
3	VACAXXPTT	undercarriage with clamp for 4in1 adjustable light seat
4	VACAXXR4	8 shaped nut for adjustable undercarriage
5	AVV410TP	Stainless steel bolt 4x10
6	VABXA004A	4 mm washer
7	VABXA006A	6 mm washer
8	VACAF1400	Nylon wheel for undercarriage
9	AVV6030A	Wheel bolt (M6 x 30)
10	AVV3595P	Self-tapping cross-head screw 3.5 x 9.5
21	VACASED23	Carbon top seat cm 23
21	VACASED25	Carbon top seat cm 25
21	VACASED28	Carbon top seat cm 28
21	VACASED30	Carbon top seat cm 30
22	VACAX7023BIS	Pad for cm 23/25 "4in1" carbon top seat
22	VACAX7028BIS	Pad for cm 28/30 "4in1" carbon top seat
23	VACAX7017F	Adhesive pad for flat insert
23	VACAX7017L	Adhesive pad for large insert
23	VACAX7017M	Adhesive pad for medium insert
23	VACAX7017S	Adhesive pad for small insert
24	VACAS14425L	Pair of large inserts for "4in1" carbon top seat
25	VACAS14425M	Pair of medium inserts for "4in1" carbon top seat
26	VACAS14425S	Pair of small inserts for "4in1" carbon top seat
27	VACAS14425	Pair of flat inserts for "4in1" carbon top seat
28	VACASCLIP	Pair of insert clips for carbon top seat

PLEASE PROVIDE BOAT SERIAL NUMBER WHEN YOU PLACE THE ORDER



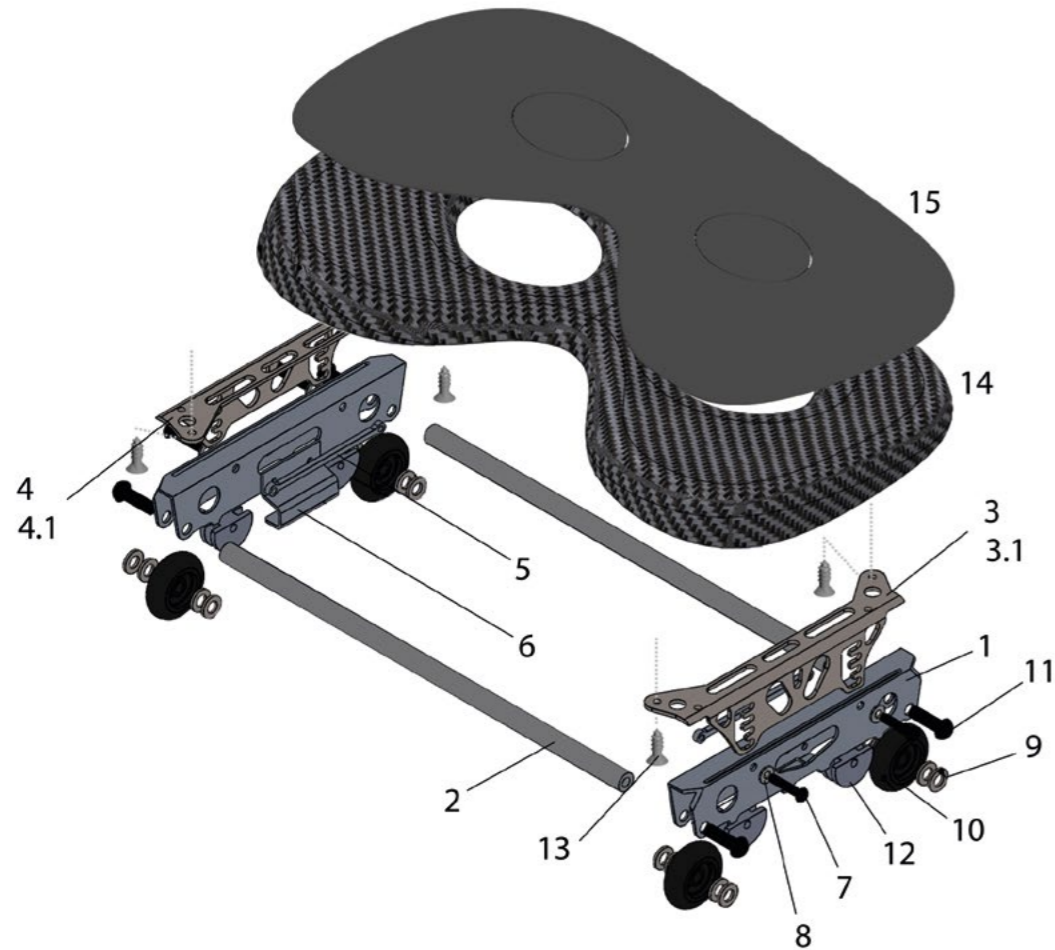
N°	Code	Description
	VACAF1017	Single action seat cm 17
	VACAF1023	Single action seat cm 23
	VACAF1025	Single action seat cm 25
	VACAF1028	Single action seat cm 28
	VACAF1030	Single action seat cm 30
	VACAF1217	Complete undercarriage for cm 17 single action seat
	VACAF1217+1	Undercarriage for single action seat cm 17-23-25-28, 1 cm higher
	VACAF1217+2	Undercarriage for single action seat cm 17-23-25-28 cm, 2 cm higher
	VACAF1223	Complete undercarriage for cm 23 single action seat
	VACAF1225	Complete undercarriage for cm 25 single action seat
	VACAF1228	Complete undercarriage for cm 28 single action seat
	VACAF1230	Complete undercarriage for cm 30 single action seat
1	VACAXX17	Axle for cm 17 undercarriage
1	VACAXX23	Axle for cm 23 undercarriage
1	VACAXX25	Axle for cm 25 undercarriage
1	VACAXX28	Axle for cm 28 undercarriage
1	VACAXX30	Axle for cm 30 undercarriage
3	VABXXA006A	6mm washer
4	AVV6030A	Wheel bolt (M6x30)
5	VACAF1400	Nylon wheel for undercarriage
6	VACAXACHAS	Aluminum clamp for undercarriage
7	VACAX1200	Undercarriage U-profile for cm 17 single action seat
7	VACAX1210	Undercarriage U-profile, 1 cm higher for cm 17 single action seat
7	VACAX1220	Undercarriage U-profile, 2 cm higher for cm 17 single action seat
8	VACAS1417	Carbon top seat cm 17
8.1	VACAS1423	Carbon top seat cm 23
8.2	VACAS1428	Carbon top seat cm 28
9	AVV3595P	Self-tapping cross-head screw 3.5 x 9.5
2	VACAX120023D	Anodized aluminium angle bar for cm 23 undercarriage (right)
10	VACAX120023S	Anodized aluminium angle bar for cm 23 undercarriage (left)
2	VACAX120025D	Anodized aluminium angle bar for cm 25 undercarriage (right)
10	VACAX120025S	Anodized aluminium angle bar for cm 25 undercarriage (left)
2	VACAX120028D	Anodized aluminium angle bar for cm 28 undercarriage (right)
10	VACAX120028S	Anodized aluminium angle bar for cm 28 undercarriage (left)
2	VACAX120030D	Anodized aluminium angle bar for cm 30 undercarriage (right)
10	VACAX120030S	Anodized aluminium angle bar for cm 30 undercarriage (left)
11	VACAX7023	Pad for cm 23/25 carbon top seat
11.1	VACAX7028	Pad for cm 28/30 carbon top seat
11.2	VACAX7017	Pad for cm 17 carbon top seat

		Coastal
	VACAF10CR	Complete single action seat for Coastal boats
2	VACAX1200CRD	Angle bar INOX for cm 30 undercarriage (right) for Coastal Boats
10	VACAX1200CRS	Angle bar INOX for cm 30 undercarriage (left) for Coastal Boats

*specify wheelbase

PLEASE PROVIDE BOAT SERIAL NUMBER WHEN YOU PLACE THE ORDER

TRADITIONAL SINGLE ACTION ADJUSTABLE SEAT

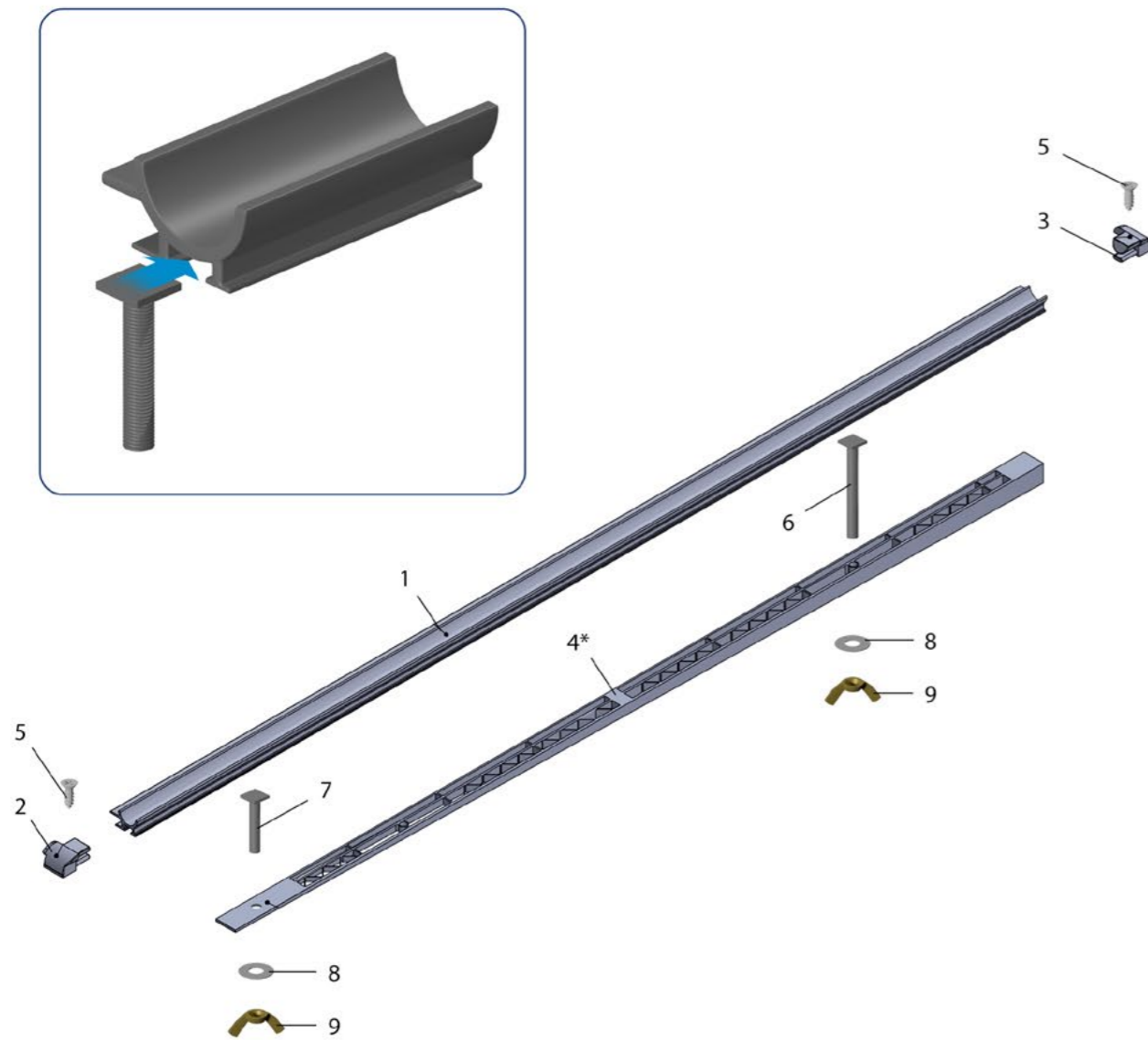


N°	Code	Description
2	VACAXX23	Axle for cm 23 undercarriage
2	VACAXX25	Axle for cm 25 undercarriage
2	VACAXX28	Axle for cm 28 undercarriage
2	VACAXX30	Axle for cm 30 undercarriage
3	VACAXR17DT	Angle bar for cm 17 traditional adjustable undercarriage (right)
3	VACAXR23DT	Angle bar for cm 23 traditional adjustable undercarriage (right)
3	VACAXR25DT	Angle bar for cm 25 traditional adjustable undercarriage (right)
3	VACAXR28DT	Angle bar for cm 28 traditional adjustable undercarriage (right)
3.1	VACAXR30DT	Angle bar for cm 30 traditional adjustable undercarriage (right)
4	VACAXR17DS	Angle bar for cm 17 traditional adjustable undercarriage (left)
4	VACAXR23DS	Angle bar for cm 23 traditional adjustable undercarriage (left)
4	VACAXR25DS	Angle bar for cm 25 traditional adjustable undercarriage (left)
4	VACAXR28DS	Angle bar for cm 28 traditional adjustable undercarriage (left)
4.1	VACAXR30DS	Angle bar for cm 30 traditional adjustable undercarriage (left)
5	VACAXXR4	8 shaped nut for adjustable undercarriage
6	VACAXACHAS	Aluminum clamp for undercarriage
7	VACAXXVM4	M4 x 20 mm cross-head screw for adjustable undercarriage
8	VABXXA004A	4 mm washer
9	VABXXA006A	6 mm washer
10	VACAF1400	Nylon wheel for undercarriage
11	AVV6030A	Wheel bolt (M6 x 30)
12	VACAXXRSP	PVC wedge for adjustable undercarriage
13	AVV3595P	Self-tapping cross-head screw 3.5 x 9.5
14	VACAS1417	Carbon top seat cm 17
14	VACAS1423	Carbon top seat cm 23
14	VACAS1428	Carbon top seat cm 28
15	VACAX7023	Pad for cm 23/25 carbon top seat
15	VACAX7028	Pad for cm 28/30 carbon top seat
15	VACAX7017	Pad for cm 17 carbon top seat

*specify wheelbase

N°	Code	Description
	VACAFR1017	Tradional single action adjustable seat cm 17
	VACAFR1023	Tradional single action adjustable seat cm 23
	VACAF10CHR25	Tradional single action adjustable seat cm 25
	VACAF10CHR25A	Tradional single action adjustable seat cm 25 "Aliante"
	VACAFR1028	Tradional single action adjustable seat cm 28
	VACAFR1030	Tradional single action adjustable seat cm 30
	VACAF17RT	Complete undercarriage for cm 17 traditional adjustable single action seat
	VACAF23RT	Complete undercarriage for cm 23 traditional adjustable single action seat
	VACAF25RT	Complete undercarriage for cm 25 traditional adjustable single action seat
	VACAF28RT	Complete undercarriage for cm 28 traditional adjustable single action seat
	VACAF30RT	Complete undercarriage for cm 30 traditional adjustable single action seat
1	VACAX1200R	Undercarriage U-profile for adjustable seat
2	VACAXX17	Axle for cm 17 undercarriage

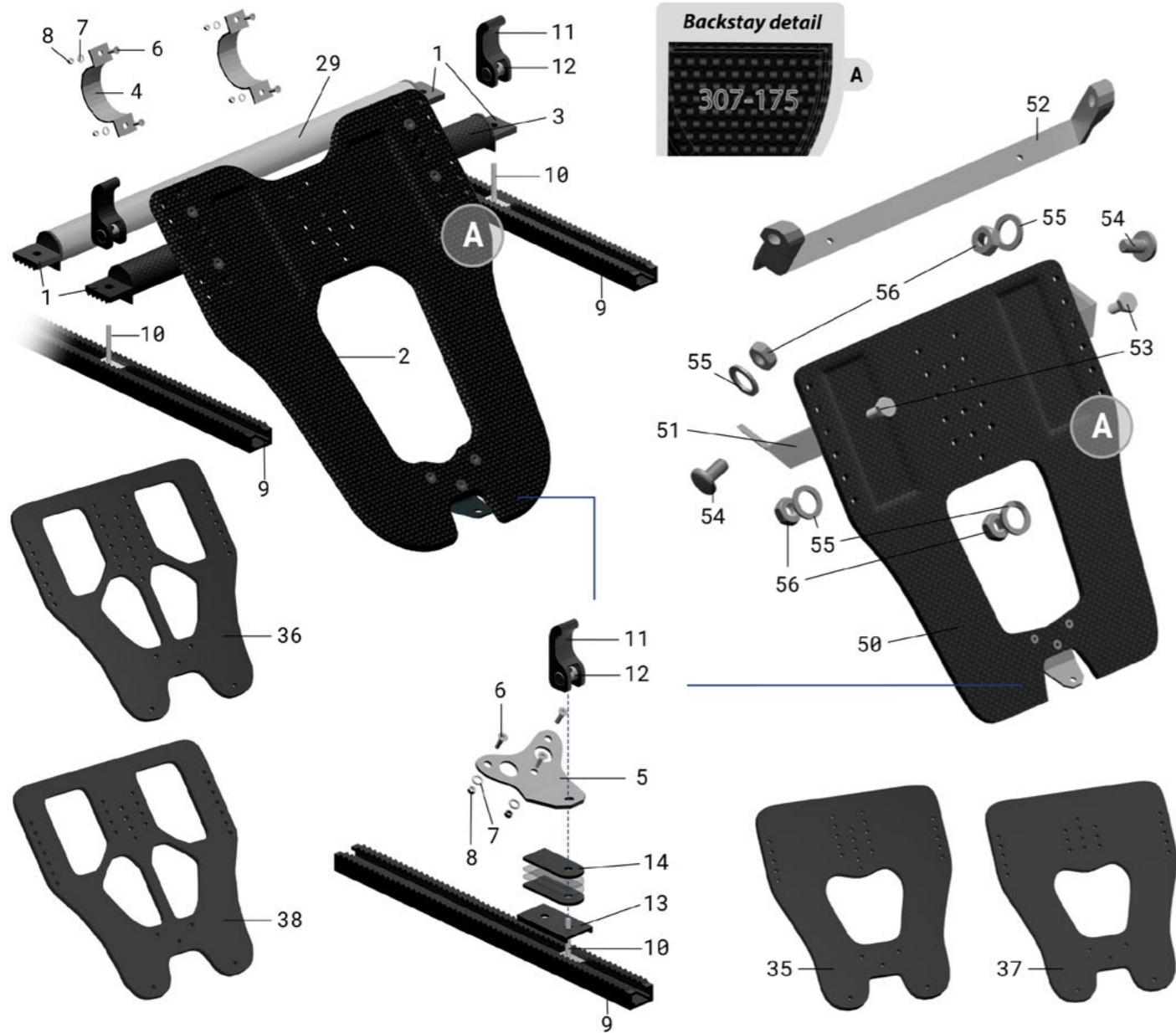
! PLEASE PROVIDE BOAT SERIAL NUMBER WHEN YOU PLACE THE ORDER



N°	Code	Description
	AMPGUI2	Complete rail cm 90 (left) without plastic bottom part
	AMPGUI3	Complete rail cm 90 (right) without plastic bottom part
	AMPGUIANDX	Complete rail cm 85 (right) without plastic bottom part
	AMPGUIANS	Complete rail cm 85 (left) without plastic bottom part
	VACAGUI85	Pair of complete cm 85 rails without plastic bottom part
	VACAGUI90	Pair of complete cm 90 rails without plastic bottom part
1	AMPGUIAND	Anodized profile MR73 cm 85 for rail
1	AMPGUI1	Anodized profile MR73 cm 90 for rail
2	VACAX6001	Stop end cap for rail (left)
3	VACAX6001A	Stop end cap for rail (right)
4	VACAX5010	* Rail plastic bottom part
5	AVV2995A	DIN 7982 stainless steel self tapping screw 2.9X9.5 TPS
6	AVB5037	Square head bolt 5 X 37 for rail fixing
7	AVB5020Q	Square head bolt 5 X 20 for rail fixing
8	VABXXA515A	Wide band washer 5 X 15
9	AVD5	5 mm wing nut

* sub-rail: for all boats except for 1x

PLEASE PROVIDE BOAT SERIAL NUMBER WHEN YOU PLACE THE ORDER



FOOTSTRETCHERS (after 06/2017)

N°	Code	Description
		SKIFF FOOTSTRETCHER
	VAPAC1X	* Carbon footstretcher for skiff complete with crossbar
50	VAPAC1XT	* Carbon footstretcher for skiff board only
51	VAPEX4020A	* Aluminium crossbar for footstretcher on skiffs with Aliante rigger configuration
52	VAPEX4020W	* Aluminium crossbar for footstretcher on skiffs with front wing rigger configuration
	VAP260170	* Carbon footstretcher model 260-170 complete with crossbar
50	VAP260170T	* Carbon footstretcher model 260-170 board only
	VAP260200	* Carbon footstretcher model 260-200 complete with crossbar
50	VAP260200T	* Carbon footstretcher model 260-200 board only
	VAP290210	* Carbon footstretcher model 290-210 complete with crossbar
50	VAP290210T	* Carbon footstretcher model 290-210 board only
	VAP220160	* Carbon footstretcher model 220-160 complete with crossbar
50	VAP220160T	* Carbon footstretcher model 220-160 board only

N°	Code	Description
		FOOTSTRETCHER PAIRS/DOUBLES
from 1 to 8	VAPAC2X	* Carbon footstretcher for 2x / 2- fully assembled with carbon crossbar
from 1 to 8	VAP257120	* Carbon footstretcher model 257-120 F36 / F46 complete with carbon crossbar
2	VAP257120T	* Carbon footstretcher model 257-120 F36 / F46 board only
from 1 to 8	VAP257130	* Carbon footstretcher model 257-130 complete with carbon crossbar
2	VAP257130T	* Carbon footstretcher model 257-130 board only
from 1 to 8	VAP267130	* Carbon footstretcher model 267-130 complete with carbon crossbar
2	VAP267130T	* Carbon footstretcher model 267-130 board only
from 1 to 8	VAP267130F51	* Carbon footstretcher model 267-130 F51 complete with carbon crossbar
2	VAP267130F51T	* Carbon footstretcher model 267-130 F51 board only
from 1 to 8	VAP267145	* Carbon footstretcher model 267-145 complete with carbon crossbar
2	VAP267145T	* Carbon footstretcher model 267-145 board only
		FOOTSTRETCHER FOUR/QUAD
from 1 to 8	VAPAC4X	* Carbon footstretcher for 4x/4- fully assembled with carbon crossbar
from 1 to 8	VAP267130	* Carbon footstretcher model 267-130 complete with carbon crossbar
2	VAP267130T	* Carbon footstretcher model 267-130 board only
from 1 to 8	VAP267145	* Carbon footstretcher model 267-145 complete with carbon crossbar
2	VAP267145T	* Carbon footstretcher model 267-145 board only
from 1 to 8	VAP287125	* Carbon footstretcher model 287-125 complete with carbon crossbar
2	VAP287125T	* Carbon footstretcher model 287-125 board only
from 1 to 8	VAP287135	* Carbon footstretcher model 287-135 complete with carbon crossbar
2	VAP287135T	* Carbon footstretcher model 287-135 board only
from 1 to 8	VAP287145	* Carbon footstretcher model 287-145 complete with carbon crossbar
2	VAP287145T	* Carbon footstretcher model 287-145 board only
from 1 to 8	VAP287152	* Carbon footstretcher model 287-152 complete with carbon crossbar
2	VAP287152T	* Carbon footstretcher model 287-152 board only
from 1 to 8	VAP287160	* Carbon footstretcher model 287-160 complete with carbon crossbar
2	VAP287160T	* Carbon footstretcher model 287-160 board only
		FOOTSTRETCHER EIGHT
from 1 to 8	VAPAC8+	* Carbon footstretcher for 8+ assembled complete with carbon crossbar
from 1 to 8	VAP307140	* Carbon footstretcher model 307-140 complete with carbon crossbar
2	VAP307140T	* Carbon footstretcher model 307-140 board only
from 1 to 8	VAP307160	* Carbon footstretcher model 307-160 complete with carbon crossbar
2	VAP307160T	* Carbon footstretcher model 307-160 board only
from 1 to 8	VAP307175	* Carbon footstretcher model 307-175 complete with carbon crossbar
2	VAP307175T	* Carbon footstretcher model 307-175 board only

FOOTSTRETCHERS ACCESSORIES

3	VAPTRACA	Carbon crossbar for footstretcher without end caps
29	VAPTRAAL	Aluminium crossbar for footstretcher without end parts
1	VAPEX4055	Nylon tube end cap
4	VAPEXCAPED	Stainless steel U-bolt for footstretcher
5	VAPEX4040	Stainless steel wing plate for footstretcher
6	AVV5016	Stainless steel countersunk cross-head screw 5 X 16
8	AVD5A	Stainless steel self-locking 5 mm nut
7	VABXXA005A	Stainless steel washer 5 mm
9	VAPEX4060	Plastic mounting bracket (1 piece)
11	VABXMCLAR	Eccentric lever for quick release fastening
12	VABXMCPF	Drilled pin for quick release fastening eccentric lever

PLEASE PROVIDE BOAT SERIAL NUMBER WHEN YOU PLACE THE ORDER

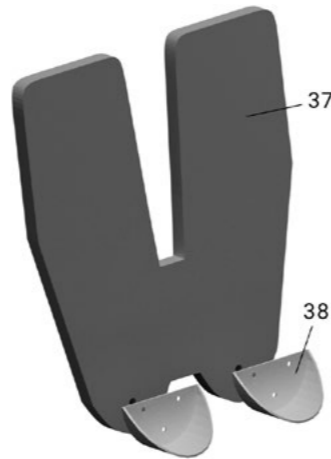
14	VAPEX4050	Spacer for footstretcher inclination adjustment
13	VAPEX4075	Rectangular wedge for plastic mounting bracket
10	AVB6027	Stainless steel bolt 6X27 with rectangular head
53	AVBA4M6016	Flanged bolt M6x16
54	AVB6025TTQ	6 X 25 bolt with square base and round head
55	VABXXA006A	6 mm washer
56	AVD6A	Self-locking M6 nut

FOOTSTRETCHERS supplied before 2017

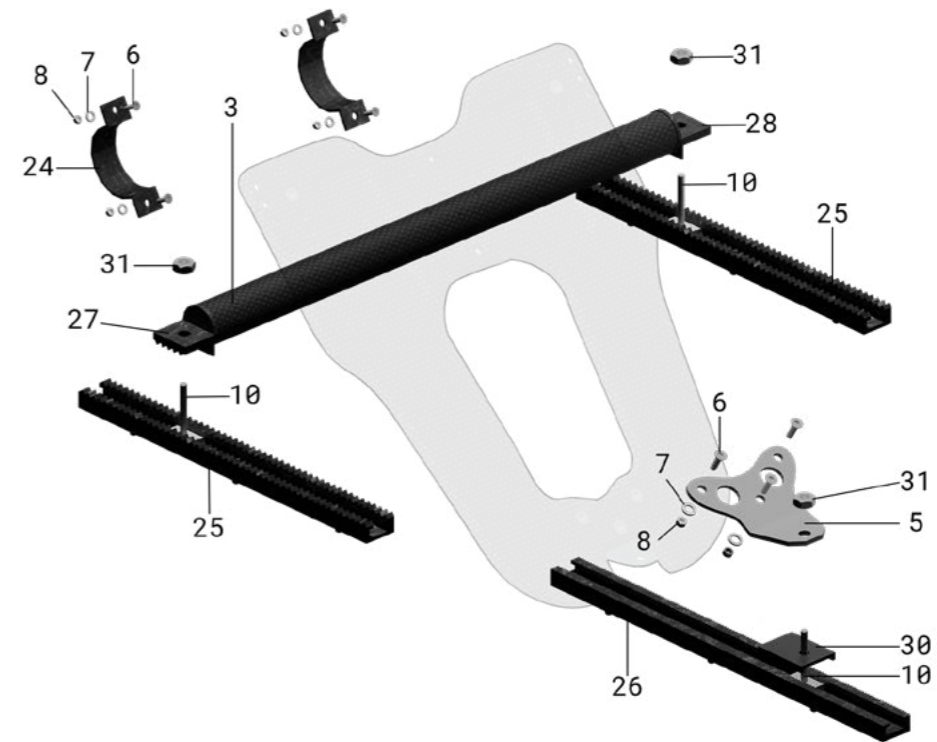
N°	Code	Description
35	VAPEF2002	* Carbon board for F15
36	VAPEF2002	* Carbon board for F13 and F36
35	VAPEF2002	* Carbon board for F14, F18, F21 and F39
36	VAPEF2002	* Carbon board for all boats except those ones above
6	AVV5020	5X20 screw for U-bolt fixing
7	VABXXA005A	Stainless steel washer 5 mm
8	AVD5A	Stainless steel self-locking 5 mm nut
1	VAPEX4055	Nylon tube end cap
	AVV4035	4x35 screw for mounting bracket fixing on deckings for F11, F13, F17, F30, F31, F36 (if for athletes below 90 kg)
	AVV4025	4x25 screw for mounting bracket fixing on decking of moulds not mentioned above
	AVV3519	3.5x19 screw for mounting bracket fixing on the keel
9	VAPEX4060	Plastic mounting bracket (1 piece)
	AVV6025	M6x25 with countersunk head crossed screw
	AVBA4M6030	Flanged bolt M6x30 for standard steering plate fastening
	VAPEG3001	Hardware for standard steering plate
	AVDESAG	6 mm hex nut standard steering plate
	AVV5010	5x10 screw for shoe fixing standard system
	VAPAADI245	* Aluminum plate 245 mm for footstretcher

ADAPTIVE

N°	Code	Description
37	VAPAADST	Carbon board for adaptive boats
	VAPAADCO	Complete carbon footstretcher with aluminium crossbar
38	VAPE01003	White plastic heel support
	VAPE01004	Laces for orthopedic footstretcher
	VACOPFAECS	Strap for Adaptive footstretcher Fil30



CARBON KIT



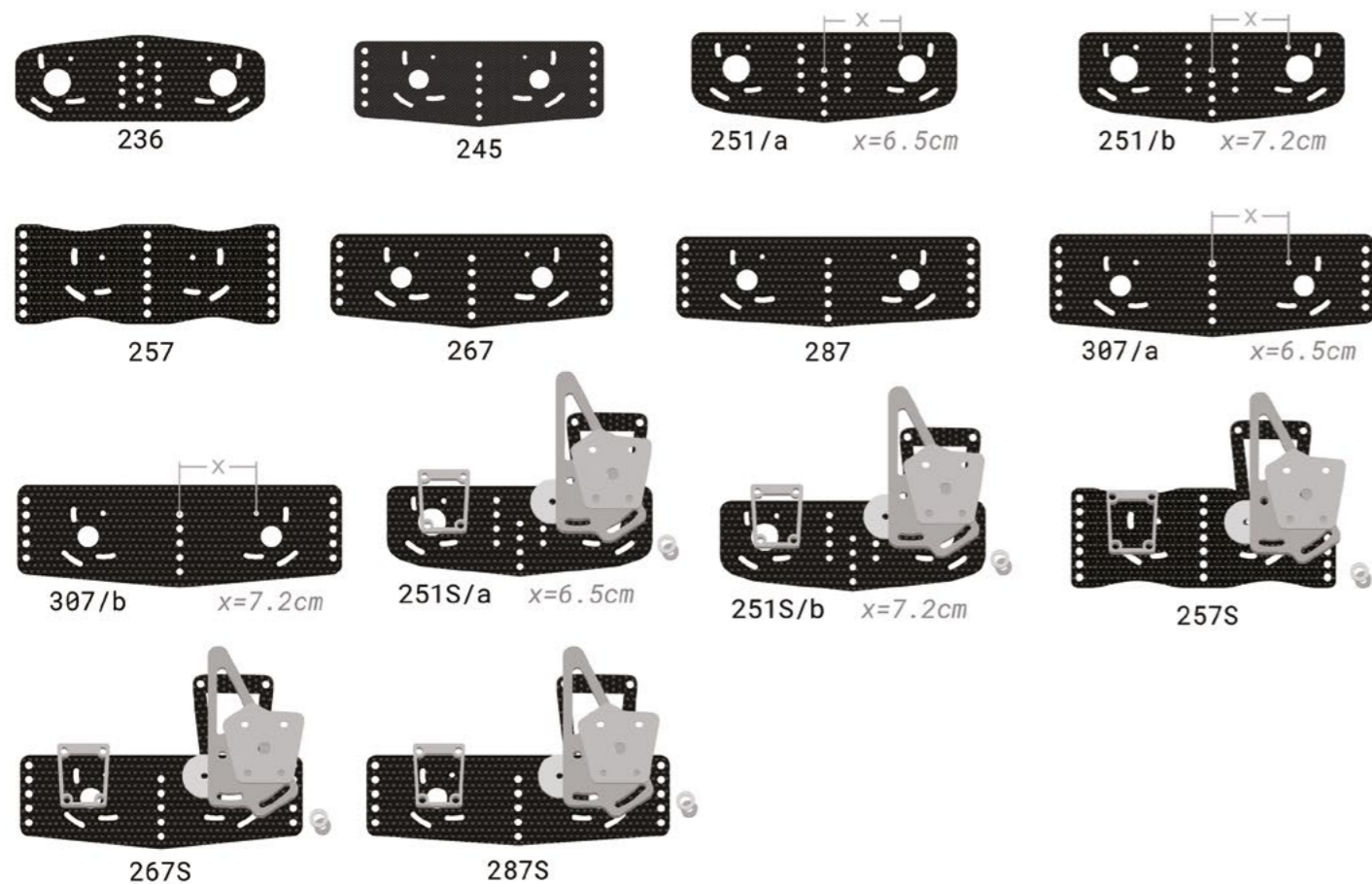
N°	Code	Description
3	VAPTRACA	Carbon crossbar for footstretcher without end caps
5	VAPEX4040	Stainless steel wing plate for footstretcher
6	AVV5016	Stainless steel countersunk head crossed screw 5 X 16
7	VABXXA005A	Stainless steel washer 5 mm
8	AVD5A	Stainless steel self-locking 5 mm nut
10	AVB6027	Stainless steel bolt 6X27 with rectangular head
24	VAPEXCACC	Carbon U-bolt for footstretcher crossbar
25	VAPEX4060CC	Carbon mounting bracket - right
25	VAPEX4060CCSX	Carbon mounting bracket - left
26	VAPEXMRCC	Central carbon mounting bracket
27	VAPEX40CCSX	Carbon tube end cap- left
28	VAPEX40CCDX	Carbon tube end cap - right
30	VAPEX4080	Black pom rectangular wedge for central carbon mounting bracket
31	AVDESAG	6 mm hex nut

* PROVIDE BOAT SERIAL NUMBER AND ROWING SEAT - IF PRESENT, FOOTSTRETCHER SYMBOL (ES, 307- DICATE WHETHER THE MOUNTING BRACKET SYSTEM IS SCREWED OR GLUED TO THE BOAT. IF GLUED, THE FOOTSTRETCHER TAKES THE "CARBON KIT" WITH RIGHT AND LEFT-HAND CARBON END F an extra cost OF €35.

** MEASURE THE WIDTH OF THE PLATE IN mm (e.g. 251) AND SPECIFY HOLES POSITION

! PLEASE PROVIDE BOAT SERIAL NUMBER WHEN YOU PLACE THE ORDER

FOR BOATS SUPPLIED AFTER 2015



	F01	F07	F14	F15	F21	F22	F39	F44	F45	F47	F50	F69	F70	F72
OPTN. A	251/b	251/b	251/b	236	251/b	251/b	251/b	236	236	251/b	251/b	251/b	251/b	236
OPTN. B	267	267	267	245	267	267	267	245	245	267	267	267	267	245

	F13	F36	F46	F17	F24	F30	F51	F60	F68
2x OPTN. A	251/a	251/a	251/a	251/b	251/b	251/b	251/b	251/b	251/b
OPTN. B	257	257	257	267	267	267	267	267	267
2- OPTN. A	251/a	251/a	251/a	251/a	251/a	251/a	251/a	251/a	251/a
OPTN. B	257	257	257	267	267	267	267	267	267
2x/2- OPTN. A	251/a	251/a	251/a	251/a	251/a	251/a	251/a	251/a	251/a
OPTN. B	257	257	257	267	267	267	267	267	267

F12
267

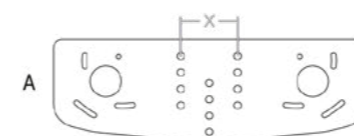
	F11	F19	F20	F25	F28	F31	F34*	F38	F40	F43	F52	F53	F61
OPTN. A	287	287	287	287	287	287	287	287	287	267	287	287	287
OPTN. B										251/b			

* if 4+ with bow coxwain, it must be ordered the plate 267 or 251/b If 4+ with stern coxwain, it must be ordered the plate 287

	F09	F29	F41	F42	F49	F54
OPTN. A	307/a	307/a	307/a	307/a	307/a	307/a
OPTN. B	307/b	307/b	307/b	307/b	307/b	307/b

N°	Code	Description
236	VAPAP236	Carbon plate 236 mm with 3 central holes
245	VAPAP245	Carbon plate 245mm
251/a	VAPAP251S	Carbon plate 251 mm (hole spacing x=6.5cm)
251S/a	VAPAP251SG	Carbon steering plate 251mm DX (hole spacing x=6.5cm)
251S/a	VAPAP251SGSX	Carbon steering plate 251mm SX (hole spacing x=6.5cm)
251/b	VAPAP251	Carbon plate 251 mm with 3 central holes
251S/b	VAPAP251G	Carbon steering plate 251 mm DX
251S/b	VAPAP251GSX	Carbon steering plate 251 mm SX
257	VAPAP257	Carbon plate 257 mm
257S	VAPAP257R	Carbon steering plate 257 mm DX
257S	VAPAP257RSX	Carbon steering plate 257 mm SX
267	VAPAP267	Carbon plate 267 mm
267S	VAPAP267R	Carbon steering plate 267 mm DX
267S	VAPAP267RSX	Carbon steering plate 267 mm SX
287	VAPAP287	Carbon plate 287 mm
287S	VAPAP287R	Carbon steering plate 287 mm DX
287S	VAPAP287RSX	Carbon steering plate 287 mm SX
307/a	VAPAP307S	Carbon plate 307 mm (hole spacing x=6.5 cm)
307/b	VAPAP307	Carbon plate 307 mm (hole spacing x=7.2 cm)

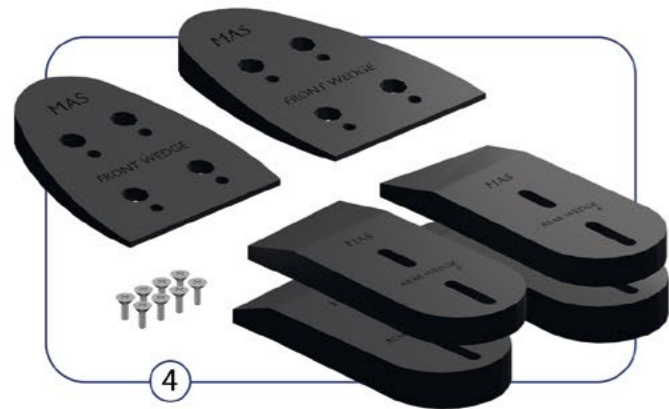
FOR BOATS SUPPLIED BEFORE 2015



Place the order with the following information:

- **boat Serial Number**
- **distance between the holes** - it can be 4,4cm or 5cm if the current plate has central holes (A)
- **overall width** if the current plate doesn't have central holes (B)
- **plate n°267** if it's an 8+ boat and has the carbon board (C)

PLEASE PROVIDE BOAT SERIAL NUMBER WHEN YOU PLACE THE ORDER

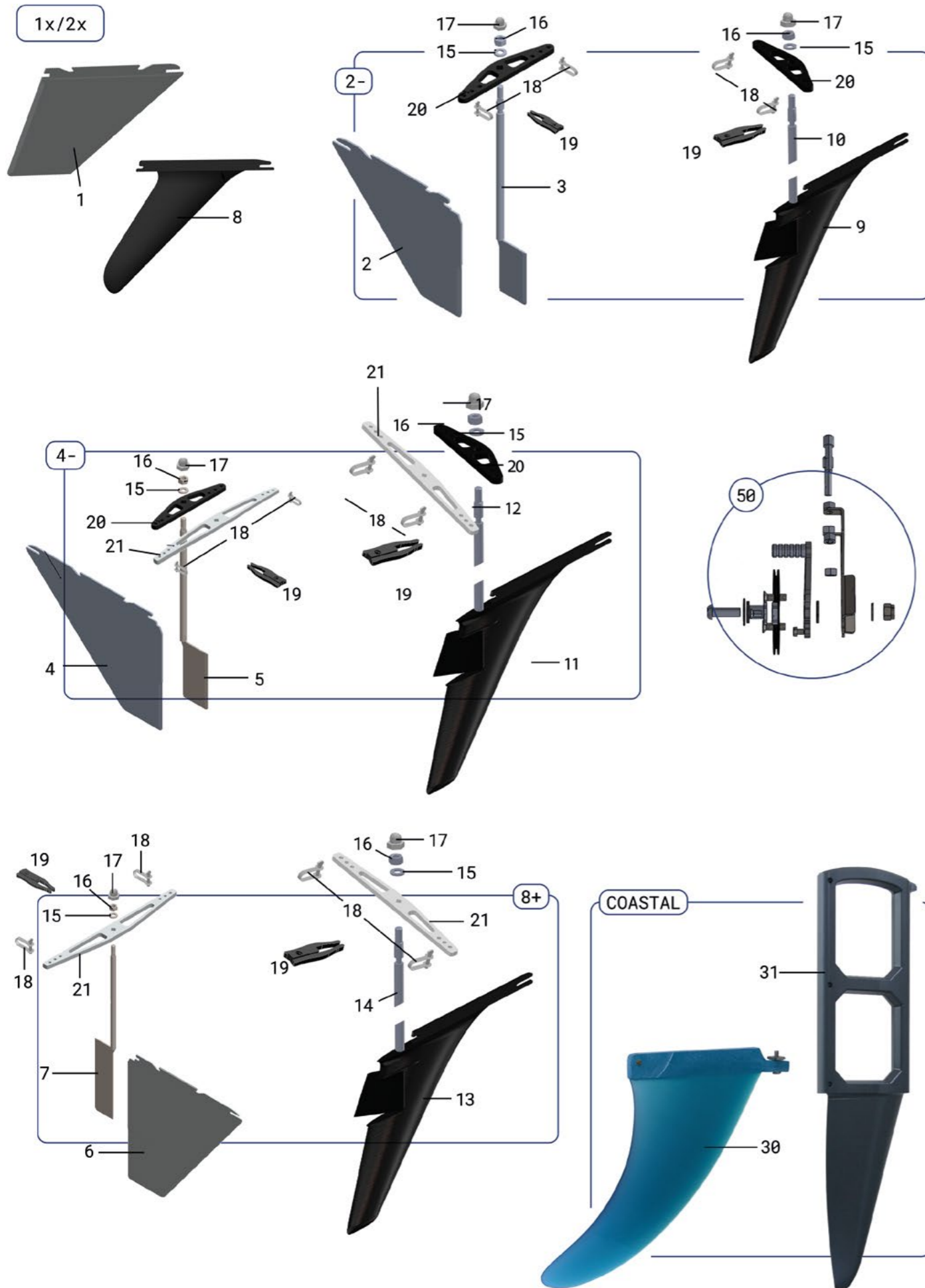


N°	Code	Description
	VAPEX4001N	Black lace cm 47 for Filippi MAS shoes
1	*VAPEFXXM20	Filippi MAS 20 shoe size XX (pair)
2	AVV5010	Stainless steel countersunk cross-head screw 5 X 10 (with rectangular plate)
2	AVV5012	Stainless steel countersunk cross-head screw 5 X 12 (with steering plate)
2.1	AVV508	Stainless steel countersunk cross-head screw 5 X 8 (with pentagonal plate)
4	VABCXT47	Set of wedges from 4° to 7° for Filippi Mas shoes (6 pieces)
5	VAPEXSRM20	Safety release strap for Filippi MAS 20 shoes
6	VAPEX154042	Filippi socks size 40-42 (pair)
6	VAPEX154345	Filippi socks size 43-45 (pair)
6	VAPEX154648	Filippi socks size 46-48 (pair)
6	VAPEX154951	Filippi socks size 49-51 (pair)

* when ordering insert your shoe size (EU) in the code instead of **XX**

! PLEASE PROVIDE BOAT SERIAL NUMBER WHEN YOU PLACE THE ORDER

FINS AND RUDDERS



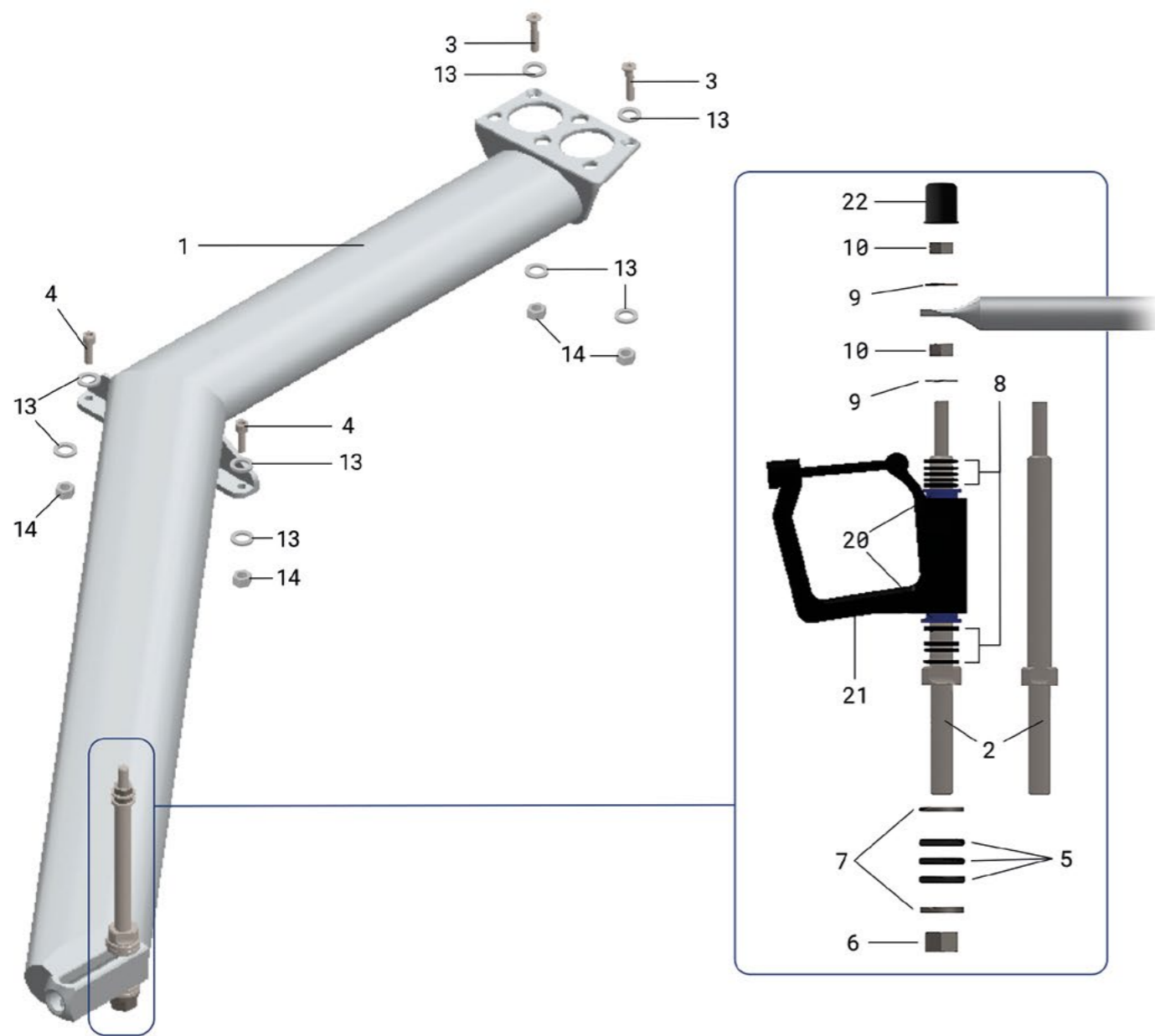
N°	Code	Description
1	VAVASCD03	Aluminium fin for 1x/2x and training 1x
2	VAVASCD12	Aluminium fin for 2-
3	VAVASCT24	Stainless steel rudder for 2 - without directional bar
4	VAVASCD11	Aluminum fin for 4x, 4-, 4+
5	VAVASCT25	Stainless steel rudder for 4x, 4-, 4+ without directional bar
6	VAVASCD08	Aluminium fin for 8+
7	VAVASCT26	Stainless steel rudder for 8+ without directional bar
8	VAVASCDN	Wing shaped black anodized aluminium fin for 1x and 2x
9	VAVASCD2	Wing shaped black anodized fin for 2-
10	VAVASCBT2	Rudder bar for 2- wing shaped steering fin
9+10	VAVASCDN12	Wing shaped black anodized steering fin for 2-
11	VAVASCD4	Wing shaped black anodized fin for 4x and 4-
12	VAVASCBT4	Rudder bar for 4x and 4- wing shaped steering fin
11+12	VAVASCDN4N	Wing shaped black anodized steering fin for 4x and 4-
13	VAVASCD8	Wing shaped black anodized fin for 8+
14	VAVASCB8	Rudder bar for 8+ wing shaped steering fin
13+14	VAVASCDN8N	Wing shaped black anodized steering fin for 8+
15	VABXXA006A	Stainless steel 6 mm washer UNI 6592
16	AVDESAG	6 mm hex nut A4
17	DA44 6	Stainless steel 6 mm blind nut
18	VAVASCT13	Stainless shackle for rudder bar
19	AASTAVFN	Rudder Nylon fork
20	VAVADIR2/4	Black directional rudder bar for 2 and 4 (small)
21	VAVADIR8	Aluminium directional rudder bar for 4 and 8 (large)
50	VAVASCTM8+	Rudder lever for bow coxed 4+'s
	VAVASCD09	Shaped fin for 8+
	VAVASCD10	Shaped fin for 4
	VAVASCT10	Stainless steel cable-diameter 1.5 mm (per meter)
	VAVASCT11	Sheath for stainless steel cable (per meter)
	VAVASCTDS	Black wire sleeve

		Coastal
30	VAVASCD01CR	Fin for 1x (16 cm model)
30	VAVASCD02CR	Fin for 2x (18 cm model)
31	VAVASCD04CR	Fin for 4x+

PLEASE PROVIDE BOAT SERIAL NUMBER WHEN YOU PLACE THE ORDER

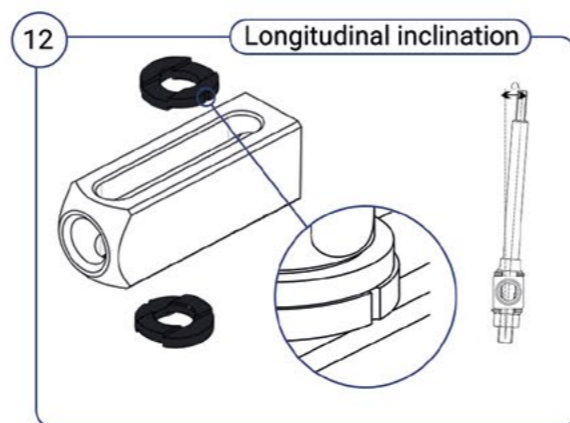
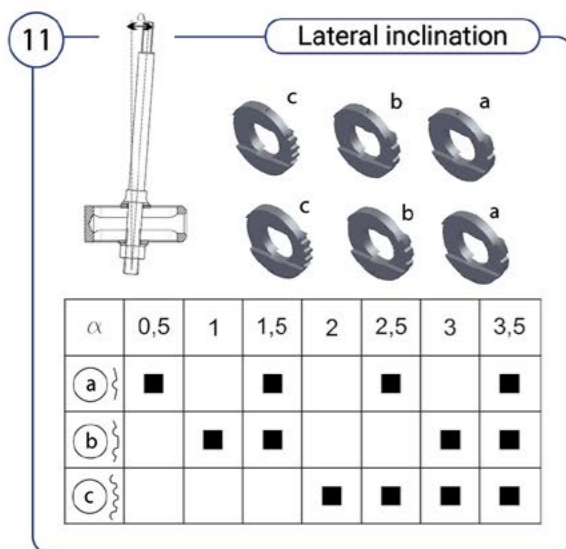
SWEEP ALUMINIUM WING RIGGER

Filippi Spare Parts List - v.35 r.6



N°	Code	Description
	VABPWA200	* Aluminium wing sweep rigger compl. with pin, backstay and oarlock
	VABPWA215PT	* Aluminium wing sweep rigger compl. with pin, backstay, without oarlock
	VACOPEALE24	Cover for sweep aluminium wing rigger
1	VABPWA210	* Aluminium wing sweep rigger - frame only
2	VABPXC010	Stainless steel pin for sweep oarlock
2	VABXMC048	Titanium pin for sweep oarlock
3	AVV6025BR	6 x 25 countersunk allen head screw
4	AVBA4M6030	M6 x 30 stainless steel flanged button head screw
5	VABXXT005	5 mm aluminium washer for pin height
6	AVD12UNIA	Stainless steel nut M12 self-locking
7	VABXXA012A	M12 stainless steel washer
8	VABXXM010	Black washer for pin oarlock adjustment
9	VABXXA008A	Stainless steel washer 8 mm
10	AVD8	Stainless steel nut M8
11	VABXMC070	Set of inclined washers for pin lateral adjustment (6 pcs)
12	VABXMC070L	Set of washers for pin longitudinal adjustment (4 pcs)
13	VABXXA006A	Stainless steel washer 6 mm
14	AVDESAG	Hex nut M6
20	VABCXC0473	Universal bushing for Concept 2 sweep oarlock art. 473
21	VABPXC005	Concept 2 sweep nylon oarlock
22	VABCXC006	8 mm black nut cover

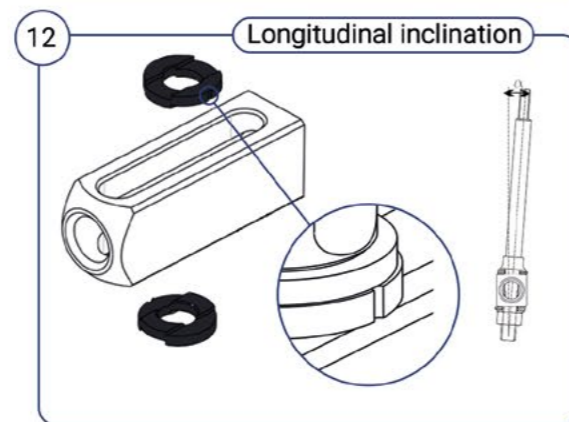
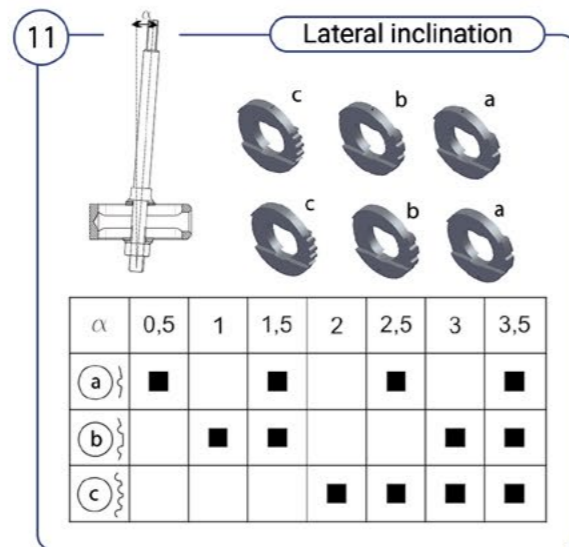
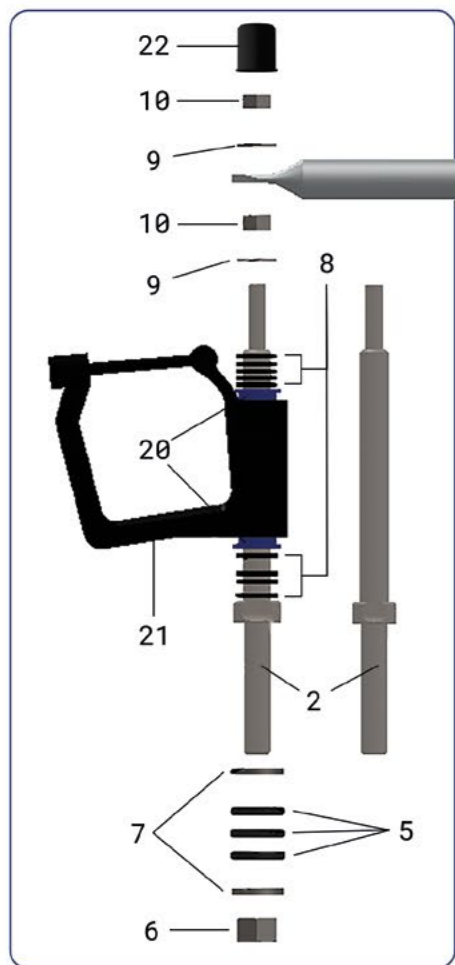
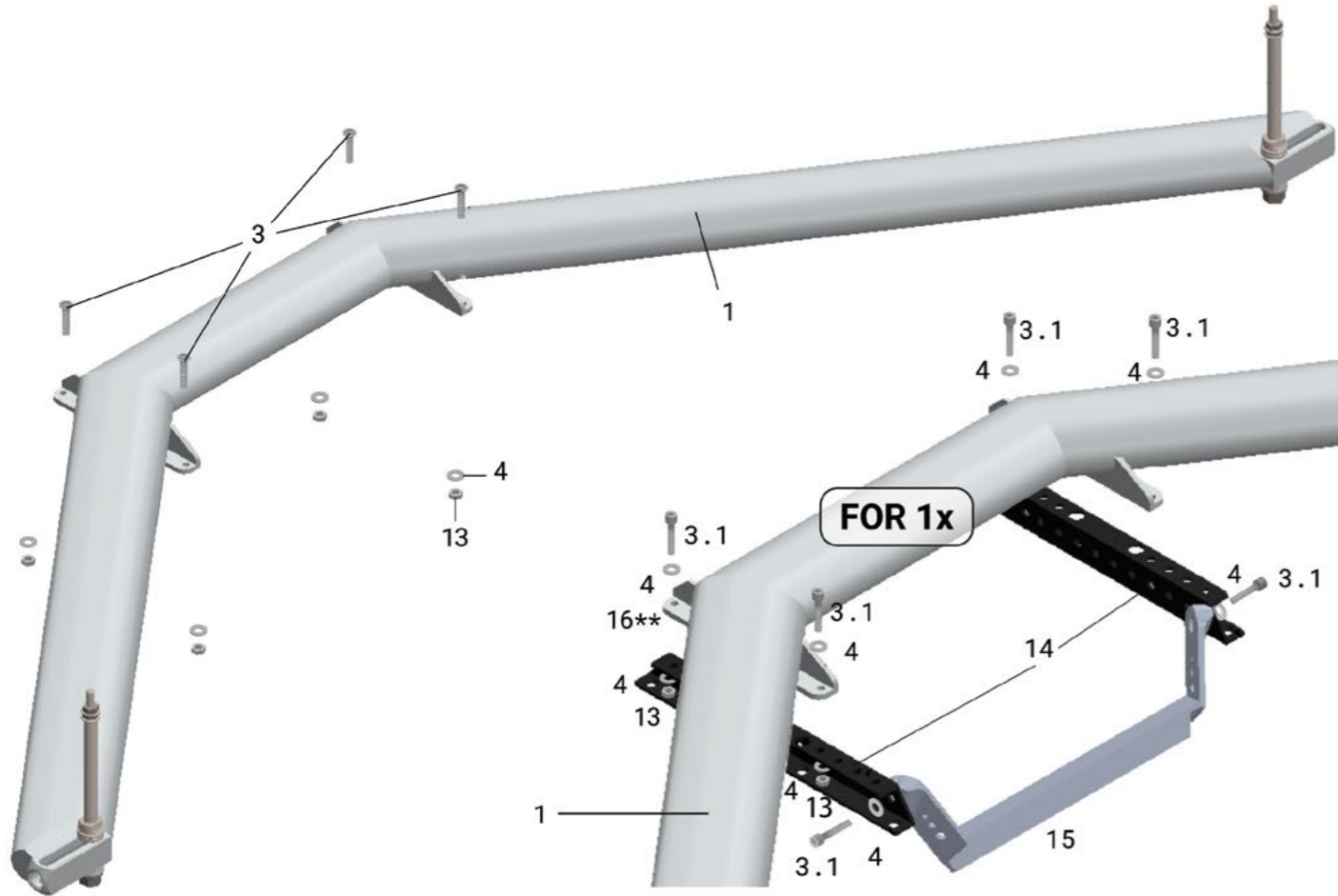
* Provide the serial number of the boat and the FISA seat position



! PLEASE PROVIDE BOAT SERIAL NUMBER WHEN YOU PLACE THE ORDER

SCULL ALUMINIUM WING RIGGER

Filippi Spare Parts List - v.35 r.6

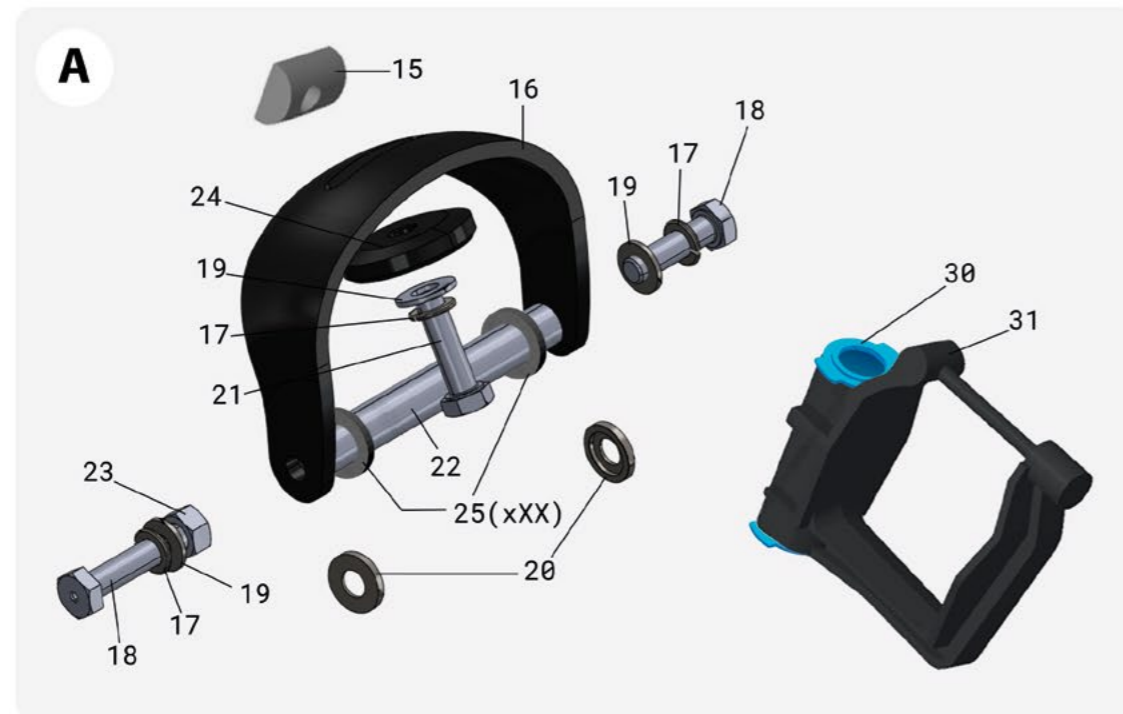
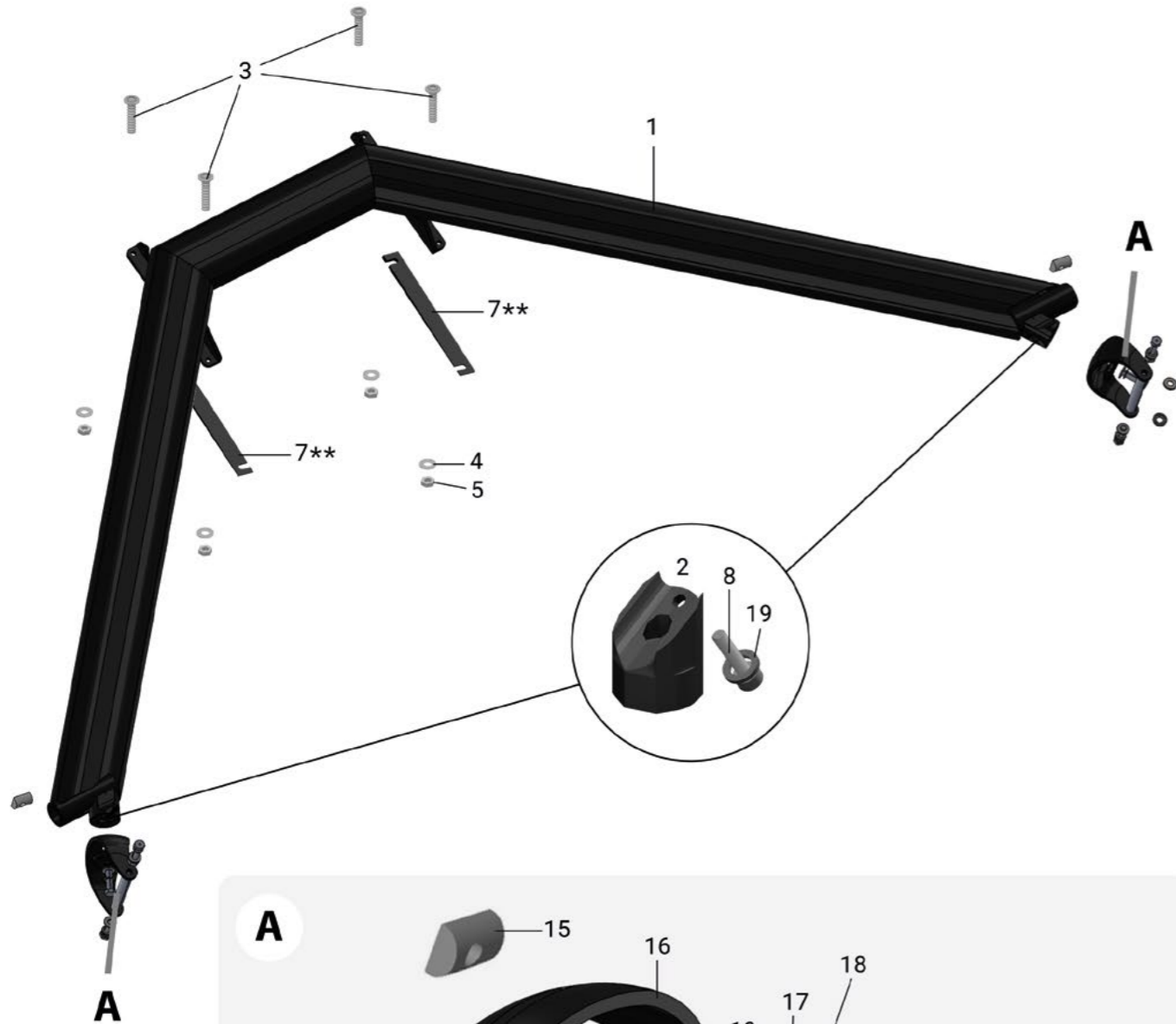


N°	Code	Description
	AABCWA1X010PT	Kit for 1x aluminum wing rigger complete with pins, oarlocks, backstays and blocks
	AVD6A	Stainless steel self-locking 6 mm nut for block fixing
	AVV6020	6 x 20 stainless steel cross-head screw block fixing
	VABCWA000	Aluminium wing rigger for 1x complete with pins, oarlocks and backstays
	VABCWA200	* Scull aluminium wing rigger compl. with pins, backstays and oarlocks
	VABCWA215PT	* Scull aluminium wing rigger compl. with pins, backstays, without oarlocks
	VACOPEAL23	Cover for scull aluminium wing rigger
1	VABCWA210	* Scull aluminium wing scull rigger - frame only
2	VABCXC010	Stainless steel pin for scull oarlock
2	VABXMC047	Titanium pin for scull oarlock
3	AVBA4M6030	M6 x 30 stainless steel flanged button head screw for 2x and 4x
3.1	AVV6020A	M6 x 20 cylindrical socket head screw
4	VABXXA006A	Stainless steel washer 6 mm
5	VABXXT005	5 mm aluminium washer for pin height
6	AVD12UNIA	Stainless steel nut M12 self-locking
7	VABXXA012A	M12 stainless steel washer
8	VABXXM010	Black washer for oarlock height adjustment
9	VABXXA008A	Stainless steel washer 8 mm
10	AVD8	Stainless steel nut M8
11	VABXMC070	Set of inclined washers for pin lateral adjustment (6 pcs)
12	VABXMC070L	Set of washers for pin longitudinal adjustment (4 pcs)
13	AVDESAG	Hex nut M6
14	VABCWC015	Anodized aluminium block for wing rigger 1x
15	VAPEX4020W	Aluminium crossbar for wing rigger 1x
20	VABCXC0474	Universal bushing for Concept II scull oarlock art. 474
21	VABCXC005	Concept 2 scull nylon oarlock
22	VABCXC006	8 mm black nut cover

* Provide the serial number of the boat and the FISA seat position
 ** Optional

PLEASE PROVIDE BOAT SERIAL NUMBER WHEN YOU PLACE THE ORDER

SCULL ALUMINIUM WING RIGGER ALIANTE



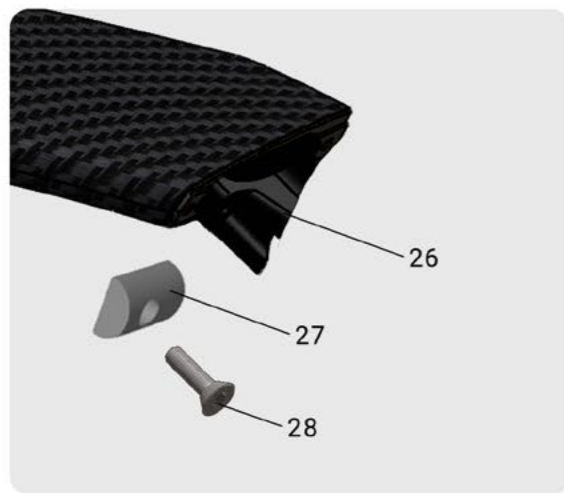
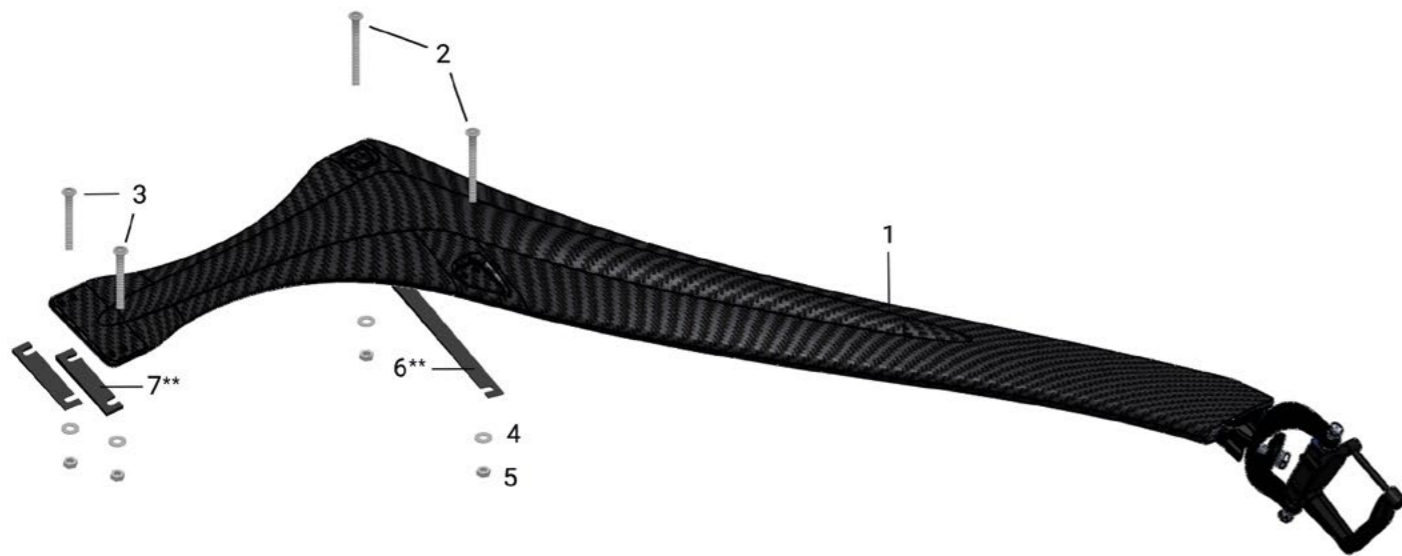
N°	Code	Description
	VBCALA500	* Scull aluminum wing rigger Aliante complete with hilts, pins and oarlocks
	VBCALA510	* Scull aluminium wing rigger Aliante complete with hilts and pins, without oarlocks
	VACOPEAL11	Cover for scull aluminium wing rigger Aliante
1	VBCALA515	* Scull aluminium wing rigger Aliante, frame only
2	VABXALA041	Aluminium hilt holder
3	AVBA4M6030	M6 x 30 stainless steel flanged button head screw
4	VABXXA006A	Stainless steel washer 6 mm
5	AVDESAG	Hex nut M6
7	VABCXTAAP	Wedge for height regulation - 20cm
8	AVV8020C	M8 x 20 cylindrical socket head screw
HILT SECTION		
15	VABXALA030	Crescent-shaped nut for scull aluminium wing rigger Aliante
16	VABXAL010L	Aluminium light hilt for Aliante scull rigger
16+22	VABXAL015L	Aluminium light hilt for Aliante scull rigger with pin, without oarlock
16+22+31	VABXAL020L	Aluminium light hilt for Aliante scull rigger with pin and oarlock
17	VABXXGL8	8mm grower washer
18	AVB830ES	M8 x 30 center bolt
19	VABXXA008A	Stainless steel flat washer 8 mm
20	VABXXGL8E	8mm worked washer for hilt
21	AVBA48035	Hex head screw M8 x 35
22	VABXMC045L	7075 light alloy anodized pin for hilt
23	AVD8	Stainless steel nut M8
24	VABXMC105	Large aluminium washer for scull hilt blocking
25	VABXXM010	Black washer for oarlock height adjustment
30	VABCXC0474	Universal bushing for Concept II scull oarlock art. 474
31	VABCXC005	Concept 2 scull nylon oarlock
HILT, PIN AND OARLOCK BEFORE FEB 2022		
16	VABXAL010	Aluminium hilt without pin and oarlock for Aliante rigger (before Feb 2022)
16+22	VABXAL015	Aluminium hilt with pin, without oarlock for Aliante rigger (before Feb 2022)
16+22+31	VABXAL020	Aluminium hilt with pin and oarlock for Aliante rigger (before Feb 2022)
22	VABXMC045	7075 light alloy anodized pin for hilt (before Feb 2022)

* Provide the serial number of the boat and the FISA seat position

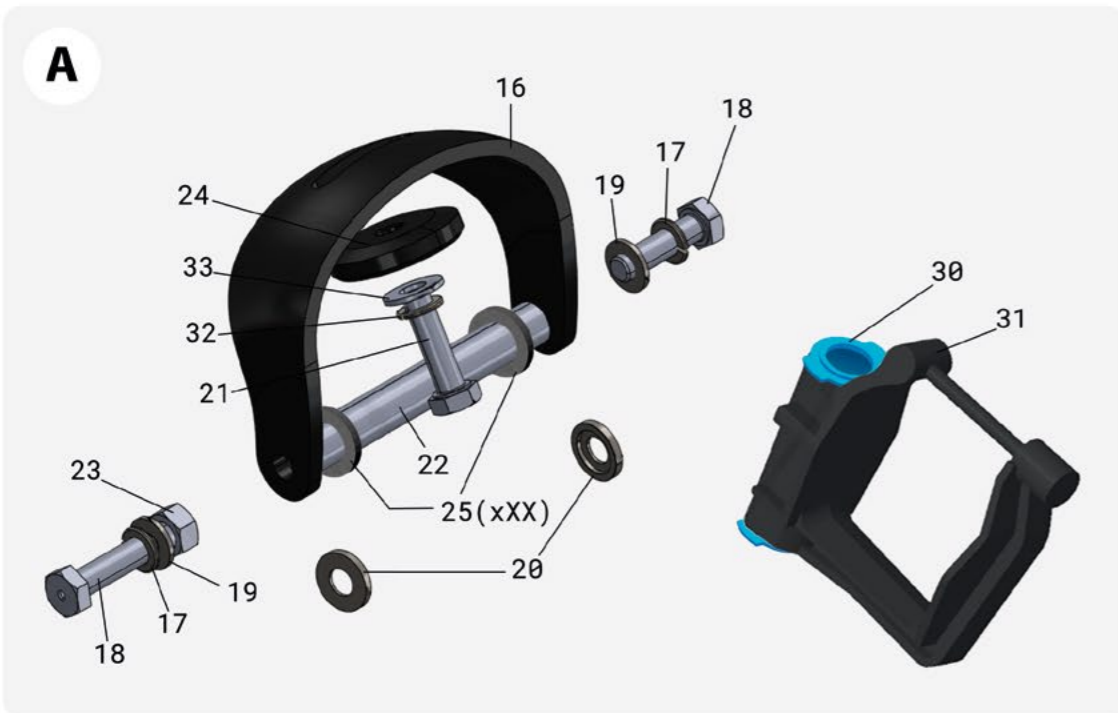
** Optional

PLEASE PROVIDE BOAT SERIAL NUMBER WHEN YOU PLACE THE ORDER

SWEEP CARBON WING RIGGER ALIANTE



A



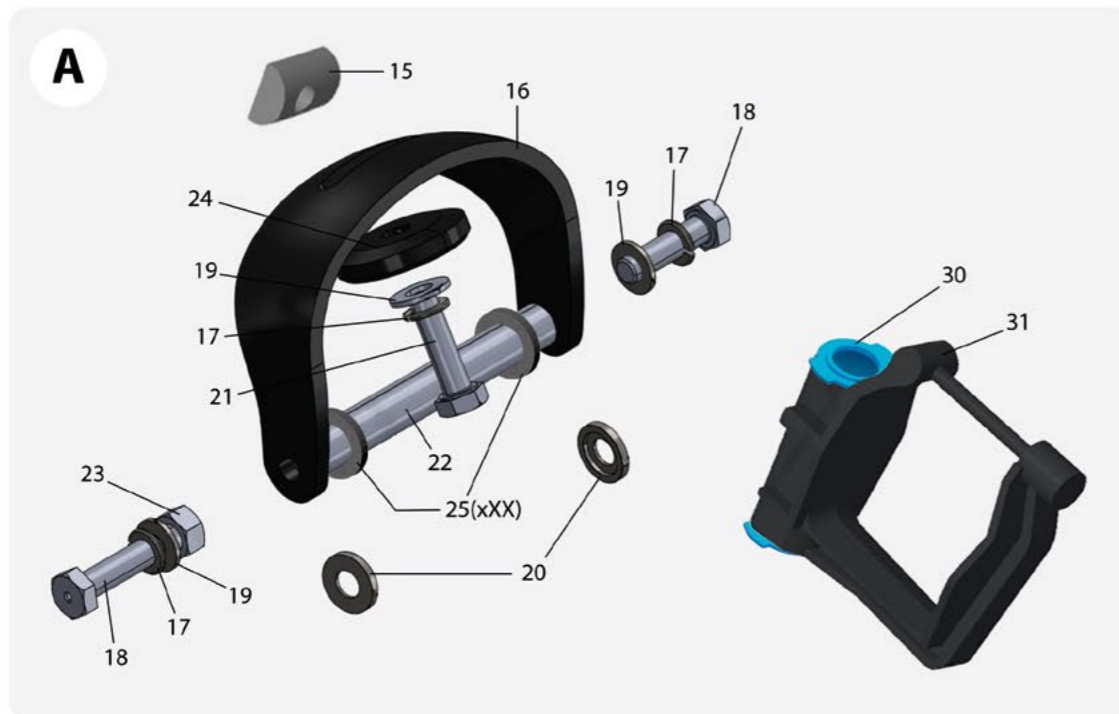
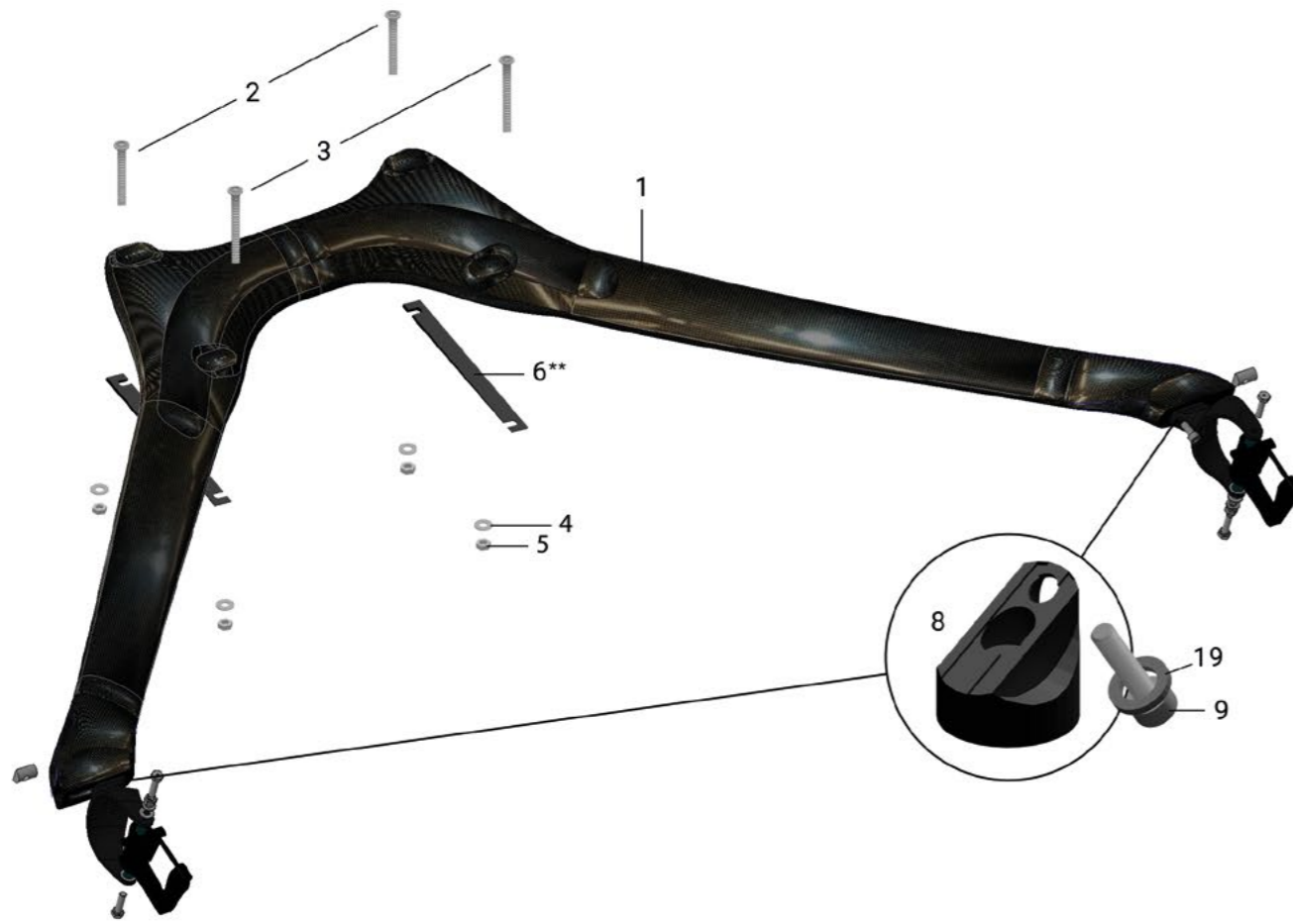
N°	Code	Description
	VABPC001	*Sweep carbon wing rigger Aliante complete with hilt, pin and oarlock
	VABPC001SC	*Sweep carbon wing rigger Aliante complete with hilt, without oarlock
1	VABPC001SS	*Sweep carbon wing rigger Aliante - frame only
	VACOPEAL27	Cover for sweep carbon wing rigger Aliante
3	AVBA4M6030	M6 x 30 stainless steel flanged button head screw
2	AVBAM608704	M6 x 70 stainless steel flanged button head screw
4	VABXA006A	Stainless steel washer 6 mm
5	AVDESAG	Hex nut M6
6**	VABCXTAAP	Wedge for height regulation - 20cm
7**	VABCXTACZP	Wedge for sweep carbon wing rigger Aliante height regulation 1 - 3 mm
7**	VABCXTACZP5	Wedge for sweep carbon wing rigger Aliante height regulation 3 - 5 mm
26	VABXF3IN1	Hilt holder for sweep carbon wing rigger Aliante 3 in 1
27	VABXALA031	Crescent-shaped nut for scull carbon wing rigger Aliante
28	AVV8030CR	8x30 cylindrical lowered socket head screw
HILT SECTION		
16	VABXAL010	Aluminium sweep hilt without pin and oarlock for Aliante rigger
16+22	VABXAL015	Aluminium sweep hilt with pin, without oarlock for Aliante rigger
16+22+31	VABXAL020	Aluminum sweep hilt with pin and oarlock for Aliante rigger
17	VABXXGL8	8mm grower washer
18	AVB830ES	M8 x 30 center bolt
19	VABXA008A	Stainless steel flat washer 8 mm
20	VABXXGL8E	8mm worked washer for hilt
21	AVBA4M10X35	Hex head screw M10 x 35
22	VABXMC045	7075 light alloy anodized sweep pin
23	AVD8	Stainless steel nut M8
32	VABXA0010A	10 mm grower washer
33	VABXXGL10	Stainless steel washer 10 mm
24	VABXXGAL10	Large aluminium washer M10 for sweep hilt blocking
25	VABXXM010	Black washer for oarlock height adjustment
30	VABCXC0473	Universal bushing for Concept 2 sweep oarlock art. 473
31	VABPXC005	Concept 2 sweep nylon oarlock

* Provide the serial number of the boat and the FISA seat position

** Optional

PLEASE PROVIDE BOAT SERIAL NUMBER WHEN YOU PLACE THE ORDER

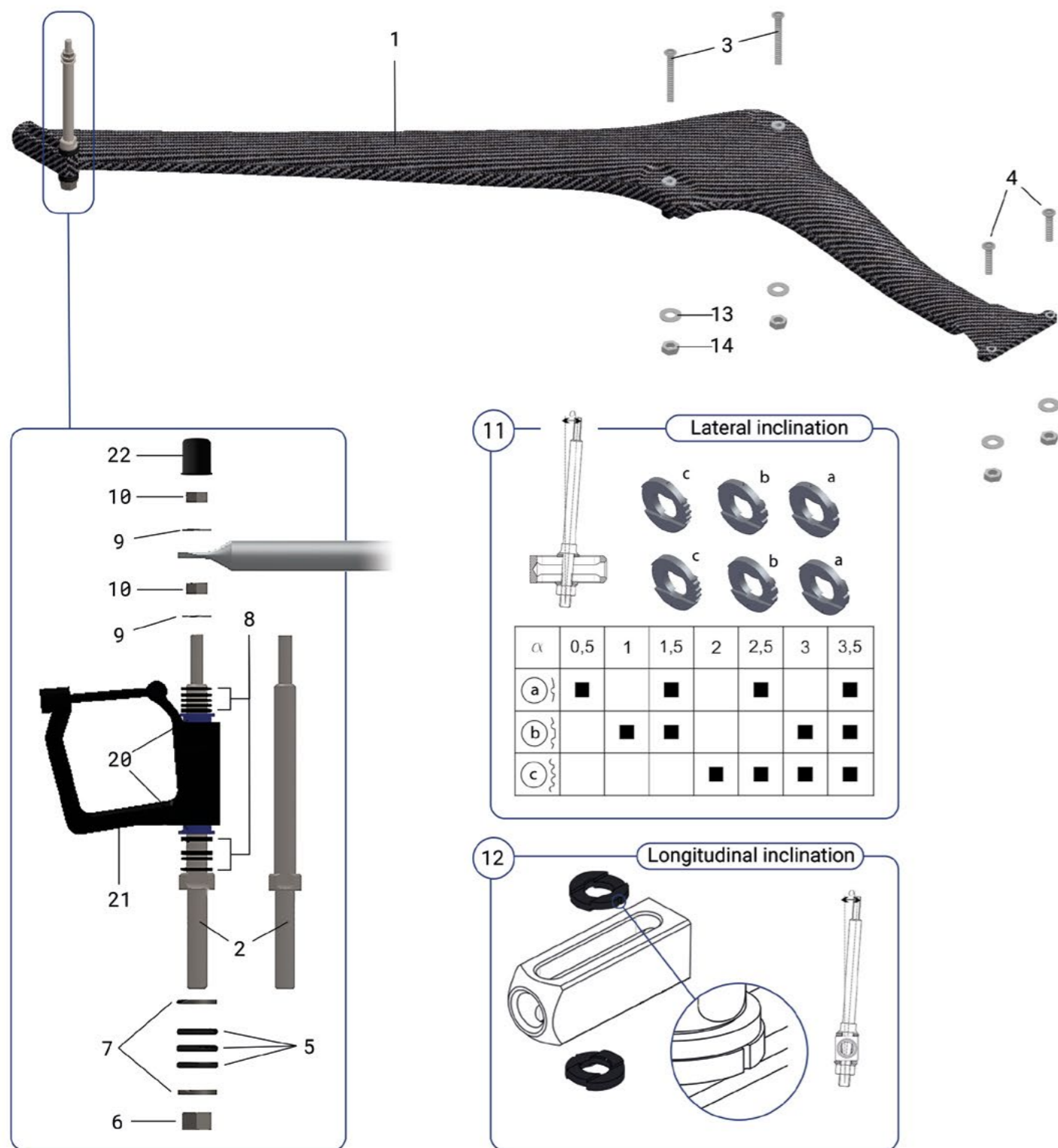
SCULL CARBON WING RIGGER ALIANTE



N°	Code	Description
	VABCALC300	* Scull carbon wing rigger Aliante complete with hilts, pins and oarlocks
	VABCALC310	* Scull carbon wing rigger Aliante complete with hilts and pins, without oarlocks
	VACOPEAL11	Cover for scull carbon wing rigger Aliante
1	VABCALC315	*Scull carbon wing rigger Aliante, frame only
2	AVBAMM608704	M6 x 70 stainless steel flanged button head screw
3	AVBAMM60804	M6 x 80 stainless steel flanged button head screw
4	VABXA006A	Stainless steel washer 6 mm
5	AVDESAG	Hex nut M6
6	VABCXTAAP	Wedge for height regulation - 20cm
8	VABXALA041	Aluminium hilt holder for scull carbon wing rigger Aliante
9	AVV8020C	M8 x 20 cylindrical socket head screw
HILT SECTION		
15	VABXALA031	Crescent-shaped nut for scull carbon wing rigger Aliante
16	VABXAL010L	Aluminium light hilt without pin and oarlock for Aliante rigger
16+22	VABXAL015L	Aluminium light hilt with pin, without oarlock for Aliante rigger
16+22+31	VABXAL020L	Aluminium light hilt with pin and oarlock for Aliante rigger
17	VABXXGL8	8mm grower washer
18	AVB830ES	M8 x 30 center bolt
19	VABXXA008A	Stainless steel flat washer 8 mm
20	VABXXGL8E	8mm worked washer for hilt
21	AVBA48035	Hex head screw M8 x 35
22	VABXMC045L	7075 light alloy anodized pin for hilt
23	AVD8	Stainless steel nut M8
24	VABXMC105	Large aluminium washer for hilt blocking
25	VABXXM010	Black washer for oarlock height adjustment
30	VABCXC0474	Universal bushing for Concept II scull oarlock art. 474
31	VABCXC005	Concept 2 scull nylon oarlock
HILT, PIN AND OARLOCK BEFORE FEB 2022		
16	VABXAL010	Aluminium hilt without pin and oarlock for Aliante rigger (before Feb 2022)
16+22	VABXAL015	Aluminium hilt with pin, without oarlock for Aliante rigger (before Feb 2022)
16+22+31	VABXAL020	Aluminium hilt with pin and oarlock for Aliante rigger (before Feb 2022)
22	VABXMC045	7075 light alloy anodized pin for hilt (before Feb 2022)

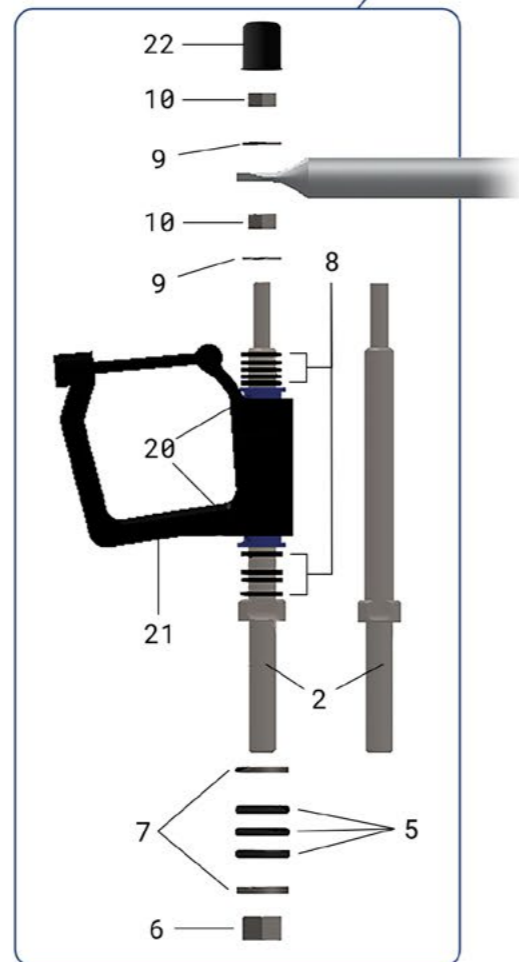
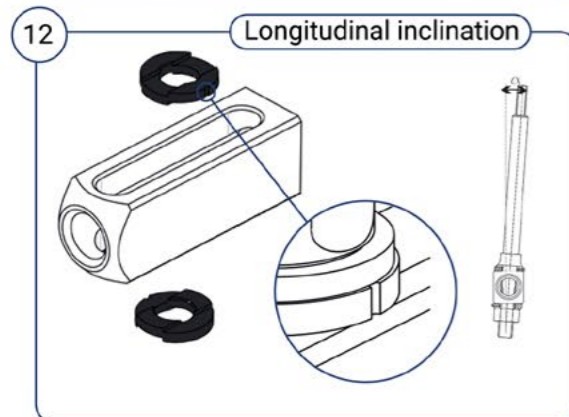
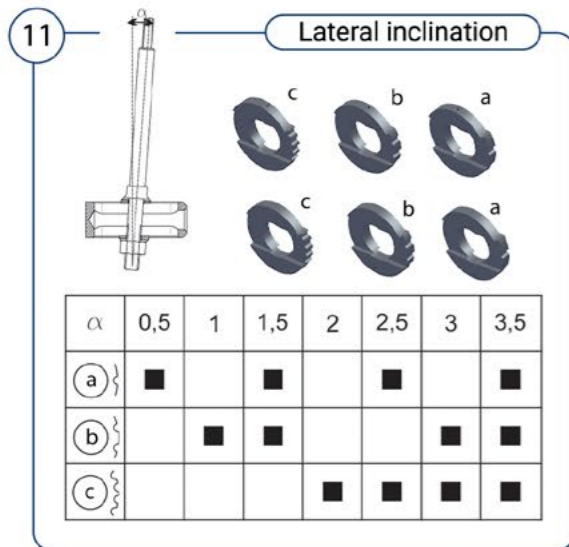
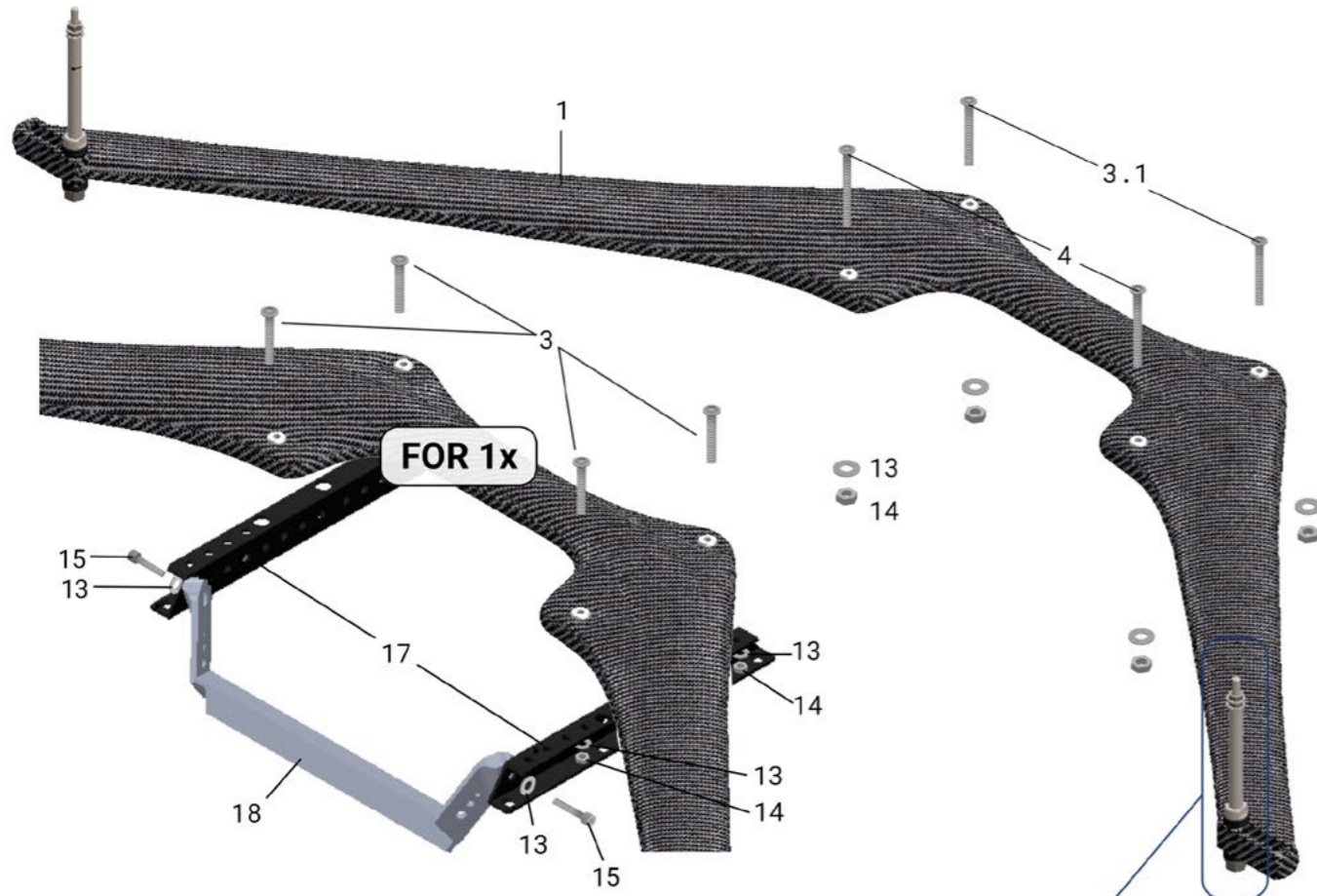
* Provide the serial number of the boat and the FISA seat position
 ** Optional

PLEASE PROVIDE BOAT SERIAL NUMBER WHEN YOU PLACE THE ORDER



N°	Code	Description
	VABPWC000	*Sweep monolithic carbon wing sweep rigger complete with backstay, pin and oarlock
	VABPWC015	*Sweep monolithic carbon wing sweep rigger complete with backstay, stainless steel pin, without oarlock
	VABPWC015PT	*Sweep monolithic carbon wing sweep rigger complete with backstay, titanium pin without oarlock
	VACOPEALE24	Cover for sweep monolithic carbon wing rigger
1	VABPWC000S	* Sweep monolithic carbon wing rigger - frame only
2	VABPXC010	Stainless steel pin for sweep oarlock
2	VABXMC048	Titanium pin for sweep oarlock
3	AVBAMM608704	M6 x 70 stainless steel flanged button head screw
4	AVBA4M6030	M6 x 30 stainless steel flanged button head screw
5	VABXXT005	5 mm aluminium washer for pin height
6	AVD12UNIA	Stainless steel nut M12 self-locking
7	VABXXA012A	M12 stainless steel washer
8	VABXXM010	Black washer for oarlock height adjustment
9	VABXXA008A	Stainless steel washer 8 mm
10	AVD8	Stainless steel nut M8
11	VABXMC070	Set of inclined washers for pin lateral adjustment (6 pcs)
12	VABXMC070L	Set of washers for pin longitudinal adjustment (4 pcs)
13	VABXXA006A	Stainless steel washer 6 mm
14	AVDESAG	Hex nut M6
20	VABCXC0473	Universal bushing for Concept 2 sweep oarlock art. 473
21	VABPXC005	Concept 2 sweep nylon oarlock
22	VABCXC006	8 mm black nut cover

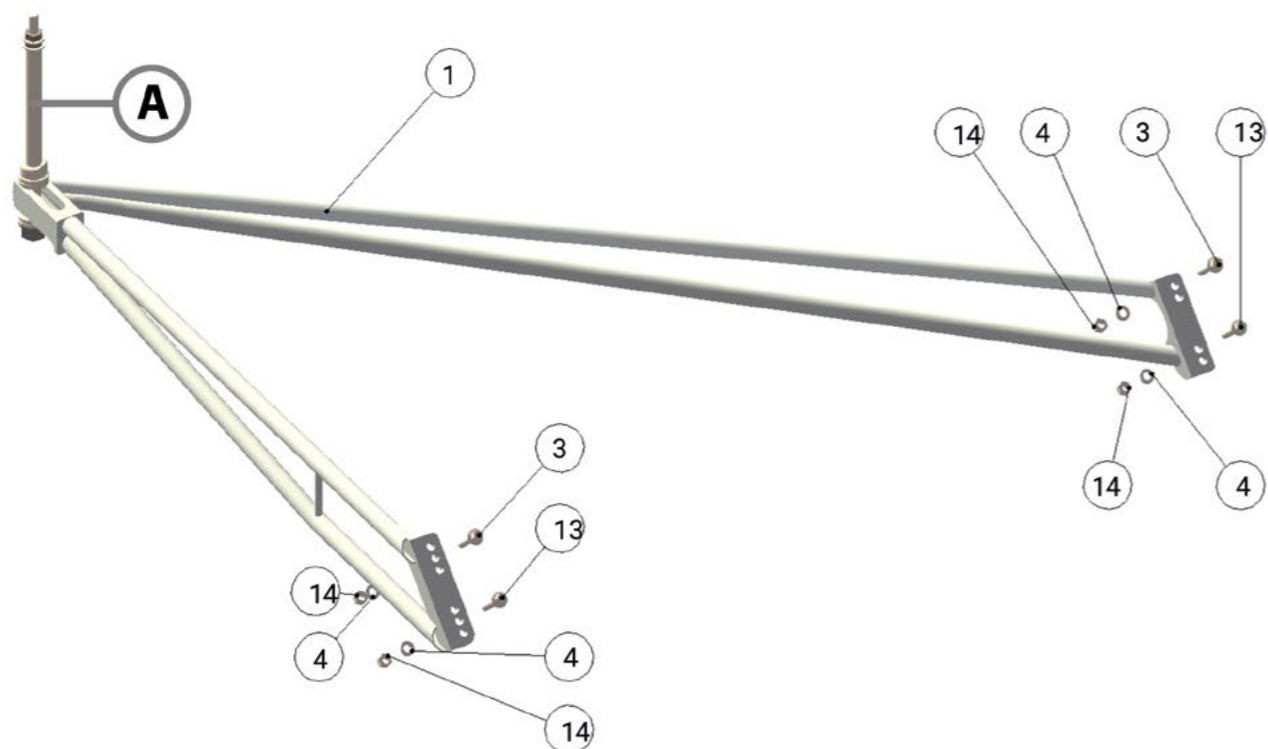
* Provide the serial number of the boat and the FISA seat position



N°	Code	Description
	VABCWC000PT	*Scull monolithic carbon wing rigger complete with backstays, pins and oarlocks
	VABCWC015PT	*Scull monolithic carbon wing rigger complete with backstays, pins,without oarlocks
	VACOPEAL23	Cover for scull monolithic carbon wing rigger
1	VABCWC010S	* Scull monolithic carbon wing rigger - frame only
2	VABCXC010	Stainless steel pin for scull oarlock
2	VABXMC047	Titanium pin for scull oarlock
3	AVBA4M6050	M6 x 50 stainless steel flanged button head screw for 1x
3.1	AVBAMM608704	M6 x 70 stainless steel flanged button head screw for 2x and 4x
4	AVBAMM60804	M6 x 80 stainless steel flanged button head screw for 2x and 4x
5	VABXXT005	5 mm aluminium washer for pin height
6	AVD12UNIA	Stainless steel nut M12 self-locking
7	VABXXA012A	M12 stainless steel washer
8	VABXXM010	Black washer for oarlock height adjustment
9	VABXXA008A	Stainless steel washer 8 mm
10	AVD8	Stainless steel nut M8
11	VABXMC070	Set of inclined washers for pin lateral adjustment (6 pcs)
12	VABXMC070L	Set of washers for pin longitudinal adjustment (4 pcs)
13	VABXXA006A	Stainless steel washer 6 mm
14	AVDESAG	Hex nut M6
15	AVV6020A	M6 x 20 cylindrical socket head screw
17	VABCWC015	Anodized aluminium block for wing rigger 1x
18	VAPEX4020W	Aluminium crossbar for wing rigger 1x
20	VABCXC0474	Universal bushing for Concept II scull oarlock art. 474
21	VABCXC005	Concept 2 scull nylon oarlock
22	VABCXC006	8 mm black nut cover

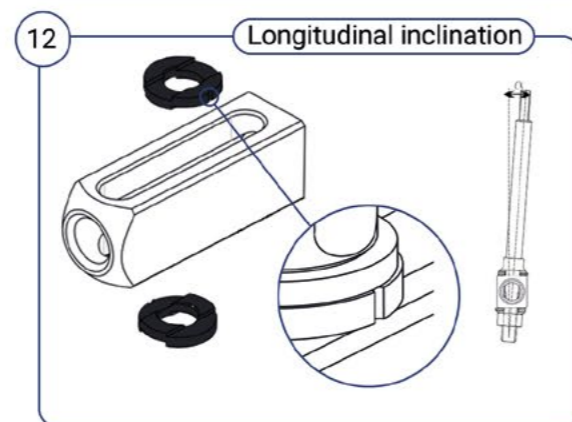
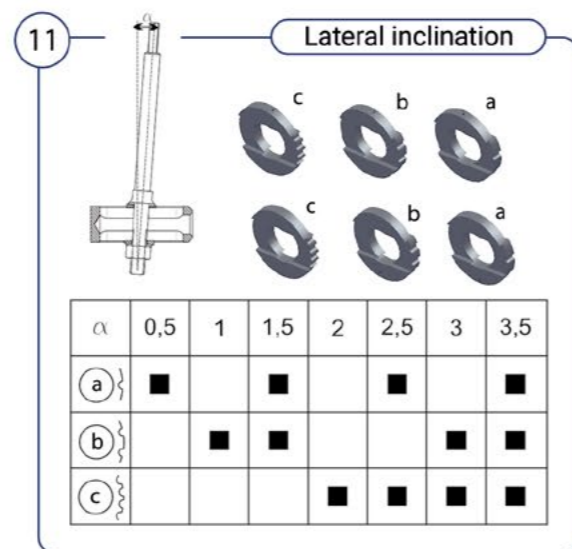
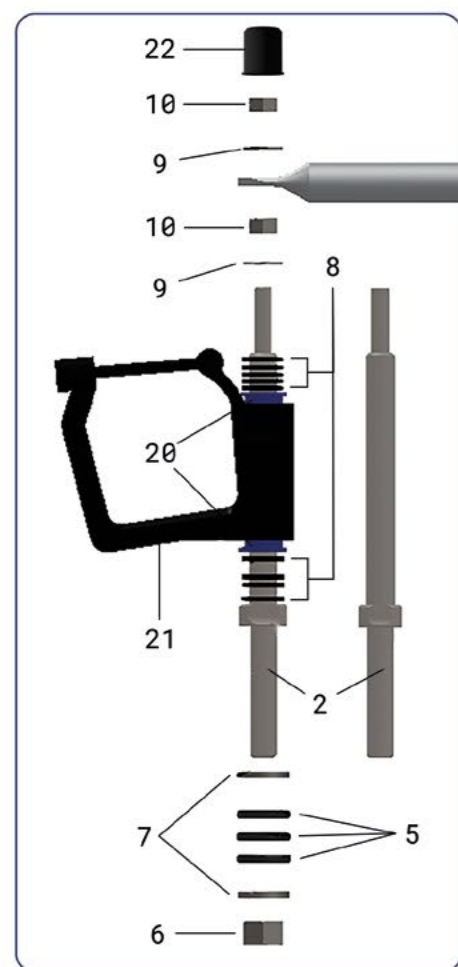
* Provide the serial number of the boat and the FISA seat position
 ** Optional

! PLEASE PROVIDE BOAT SERIAL NUMBER WHEN YOU PLACE THE ORDER



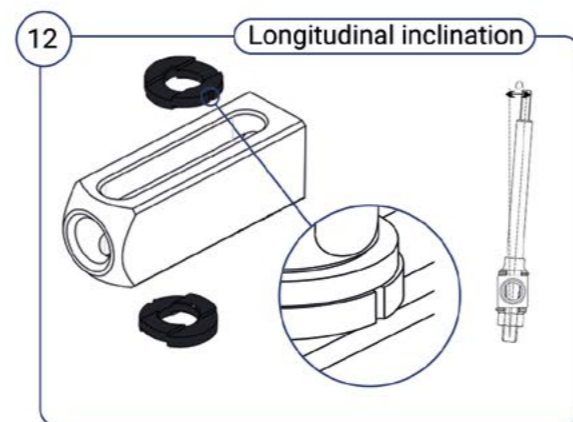
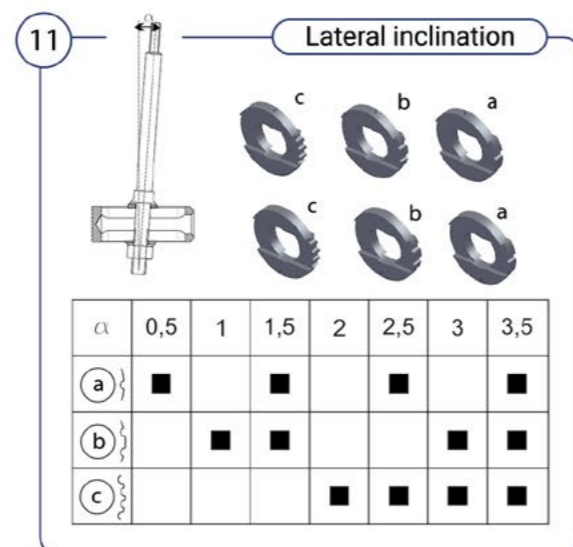
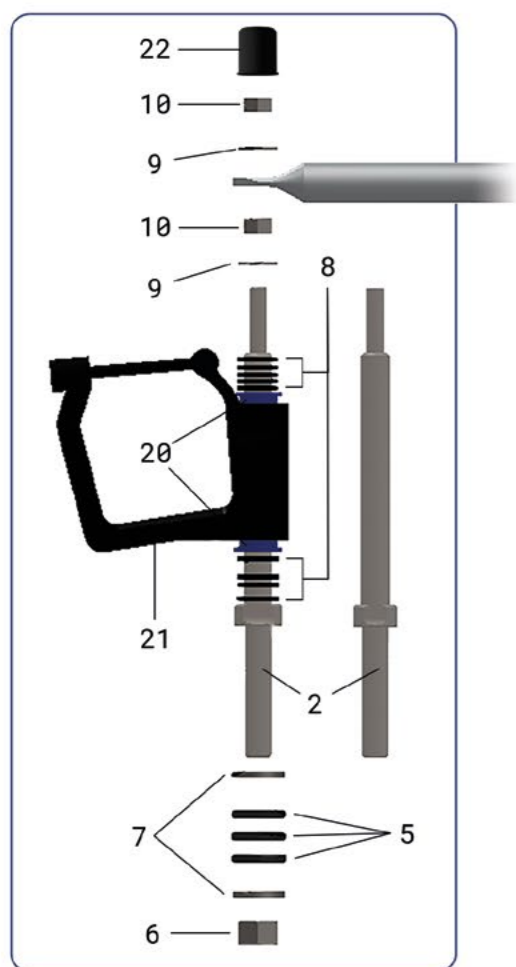
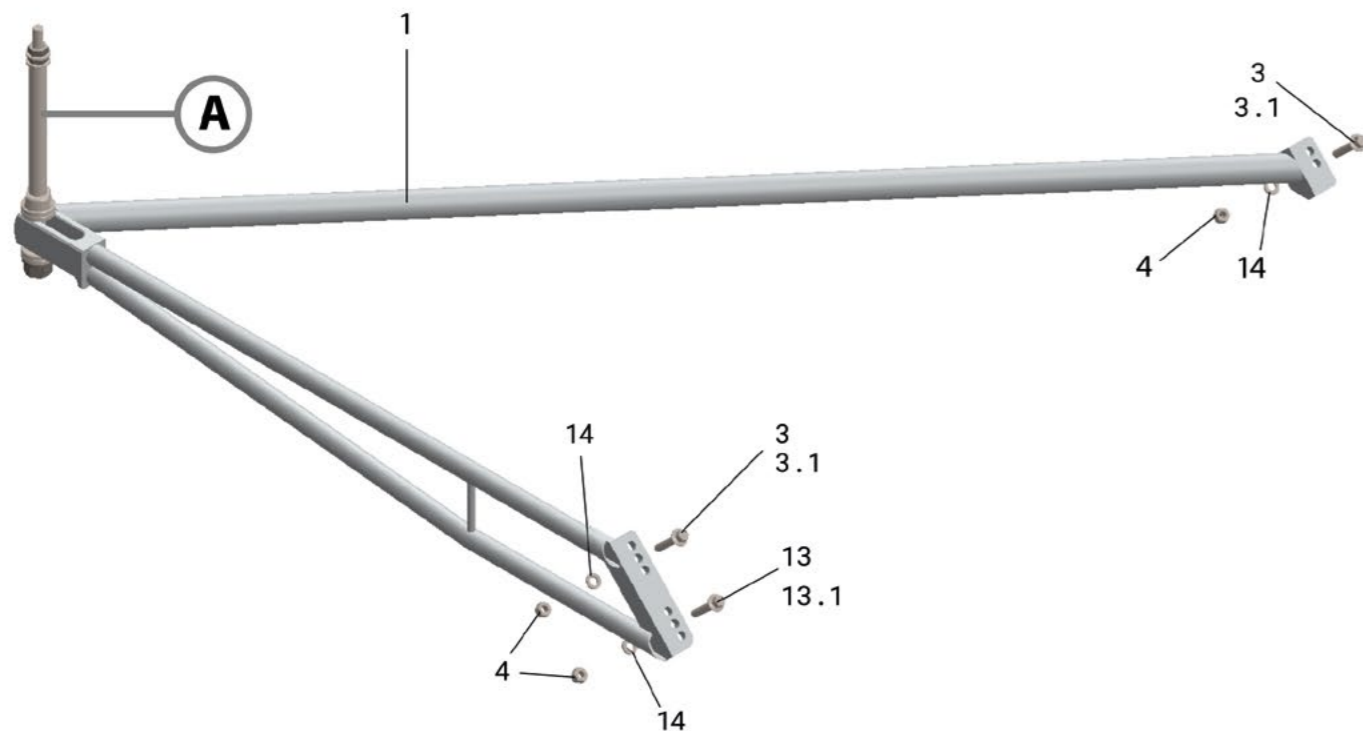
N°	Code	Description
	VABP5T000	* 4 stay aluminium sweep rigger complete with backstay, pin and oarlock
	VABP5T015	* 4 stay aluminium sweep rigger complete with backstay, pin, without oarlock
1	VABP4T010	* 4 stay aluminium sweep rigger - frame only
2	VABPXC010	Stainless steel pin for sweep oarlock
2	VABXMC048	Titanium pin for sweep oarlock
3	AVBA4M6040	M6 x 40 stainless steel flanged button head screw
4	VABXXA006A	6 mm washer
5	VABXXT005	5 mm aluminium washer for pin height
6	AVD12UNIA	Stainless steel nut M12 self-locking
7	VABXXA012A	M12 stainless steel washer
8	VABXXM010	Black washer for oarlock height adjustment
9	VABXXA008A	Stainless steel washer 8 mm
10	AVD8	Stainless steel nut M8
11	VABXMC070	Set of inclined washers for pin lateral adjustment (6 pcs)
12	VABXMC070L	Set of washers for pin longitudinal adjustment (4 pcs)
13	AVBA4M6050	M6 x 50 stainless steel flanged button head screw
14	AVDESAG	Hex nut M6
20	VABCXC0473	Universal bushing for Concept 2 sweep oarlock art. 473
21	VABPXC005	Concept 2 sweep nylon oarlock
22	VABCXC006	8 mm black nut cover

* Provide the serial number of the boat and the FISA seat position



! PLEASE PROVIDE BOAT SERIAL NUMBER WHEN YOU PLACE THE ORDER

3 STAY SCULL ALUMINIUM RIGGER



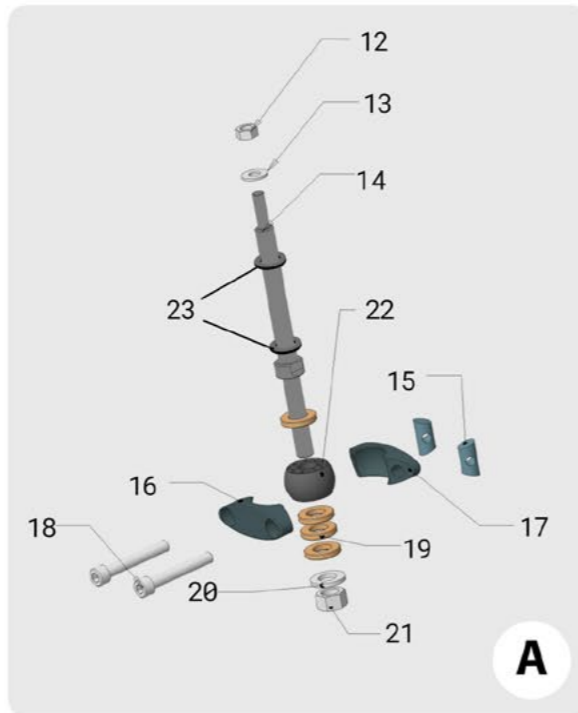
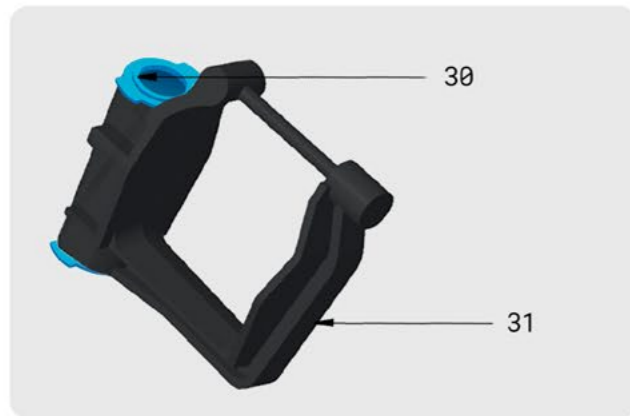
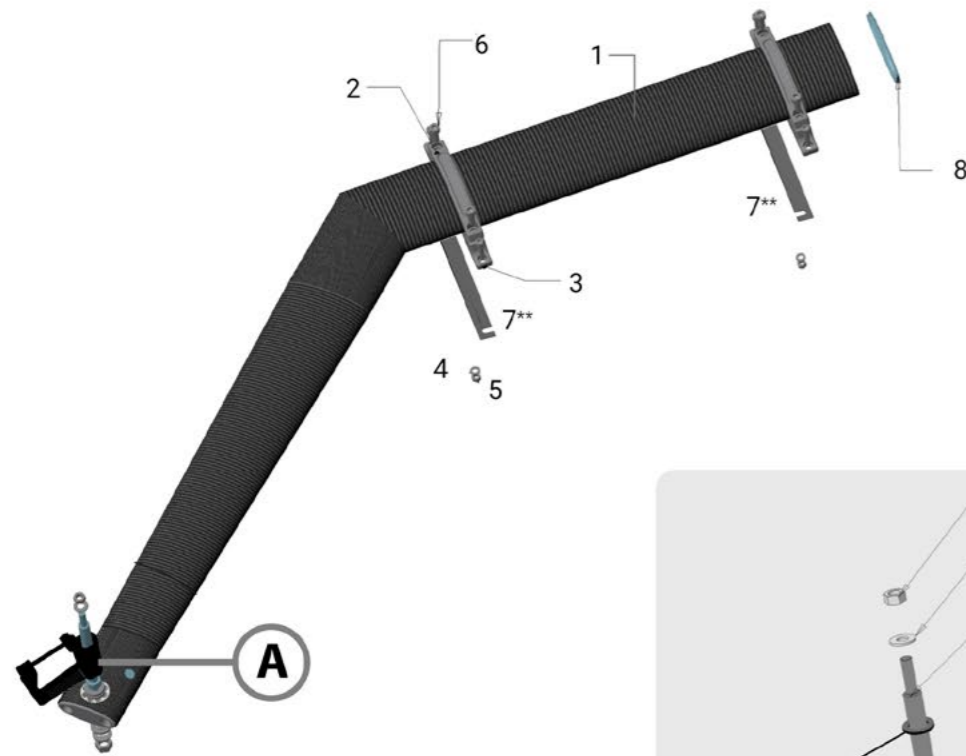
N°	Code	Description
	VABC3T015	* 3 stay aluminium scull rigger complete with backstay, pin, without oarlock
	VABC3T016	* 3 stay aluminium scull rigger complete with backstay, pin and oarlock
1	VABC3T010	* 3 stay aluminium scull rigger - frame only
2	VABCXC010	Stainless steel pin for scull oarlock
2	VABXMC047	Titanium pin for scull oarlock
3	AVBA4M6030	M6 x 30 stainless steel flanged button head screw for 1x
3.1	AVBA4M6040	M6 x 40 stainless steel flanged button head screw for 2x and 4x
4	AVDESAG	Hex nut M6
5	VABXXT005	5 mm aluminium washer for pin height
6	AVD12UNIA	Stainless steel nut M12 self-locking
7	VABXXA012A	M12 stainless steel washer
8	VABXXM010	Black washer for oarlock height adjustment
9	VABXXA008A	Stainless steel washer 8 mm
10	AVD8	Stainless steel nut M8
11	VABXMC070	Set of inclined washers for pin lateral adjustment (6 pcs)
12	VABXMC070L	Set of washers for pin longitudinal adjustment (4 pcs)
13	AVBA4M6040	M6 x 40 stainless steel flanged button head screw for 1x
13.1	AVBA4M6050	M6 x 50 stainless steel flanged button head screw for 2x and 4x
14	VABXXA006A	6 mm washer
20	VABCXC0474	Universal bushing for Concept II scull oarlock art. 474
21	VABCXC005	Concept 2 scull nylon oarlock
22	VABCXC006	8 mm black nut cover

* Provide the serial number of the boat and the FISA seat position

PLEASE PROVIDE BOAT SERIAL NUMBER WHEN YOU PLACE THE ORDER

SWEEP CARBON WING RIGGER (360° pitch)

Filippi Spare Parts List - v.35 r.6



N°	Code	Description
	VABPWCC	*360° pitch sweep carbon wing rigger complete with clamps, backstay, pin and oarlock
	VABPWCP	*360° pitch sweep carbon wing rigger complete with pin and clamp, without oarlock
1	VABPWCS	*360° pitch sweep carbon wing frame, with clamps only
2	ASPALLGSP	Upper clamp for 360° pitch sweep carbon wing rigger fixing
3	ASPALLGIP	Lower clamp for 360° pitch sweep carbon wing rigger fixing
4	VABXXA006A	Stainless steel washer 6 mm
5	AVDESAG	Hex nut M6
6	AVV815MC	M8 x 15 cylindrical socket head screw
7	VABCXTAP	Wedge for 360° pitch sweep carbon wing rigger height regulation
8	VABXWC050	Aluminium end cap for 360° pitch sweep carbon wing rigger
12	AVD8	Stainless steel nut M8
13	VABXXA008A	Stainless steel washer 8 mm
14	VABPXC010	Stainless steel pin for sweep oarlock
14	VABXMC048	Titanium pin for sweep oarlock
15	ASPALLM8	Cylindrical nut M8 for sphere blocking on 360° pitch sweep carbon wing rigger
16	ASPALLTCGI	Outer sphere holder for 360° pitch sweep carbon wing rigger
17	ASPALLTCG1	Inner sphere holder for 360° pitch sweep carbon wing rigger
18	AVV855	8 x 55 cylindrical socket head screw
19	VABXXT005	5 mm aluminium washer for pin height
20	VABXXA012A	M12 stainless steel washer
21	AVD12UNIA	Stainless steel nut M12 self-locking
22	ASPALLTP	Sphere for 360° pitch sweep carbon wing sweep
23	VABXXM010	Black washer for oarlock height adjustment
30	VABCXC0473	Universal bushing for Concept 2 sweep oarlock art. 473
31	VABPXC005	Concept 2 sweep nylon oarlock
	VACOPEALE24	Cover for sweep monolithic carbon wing rigger

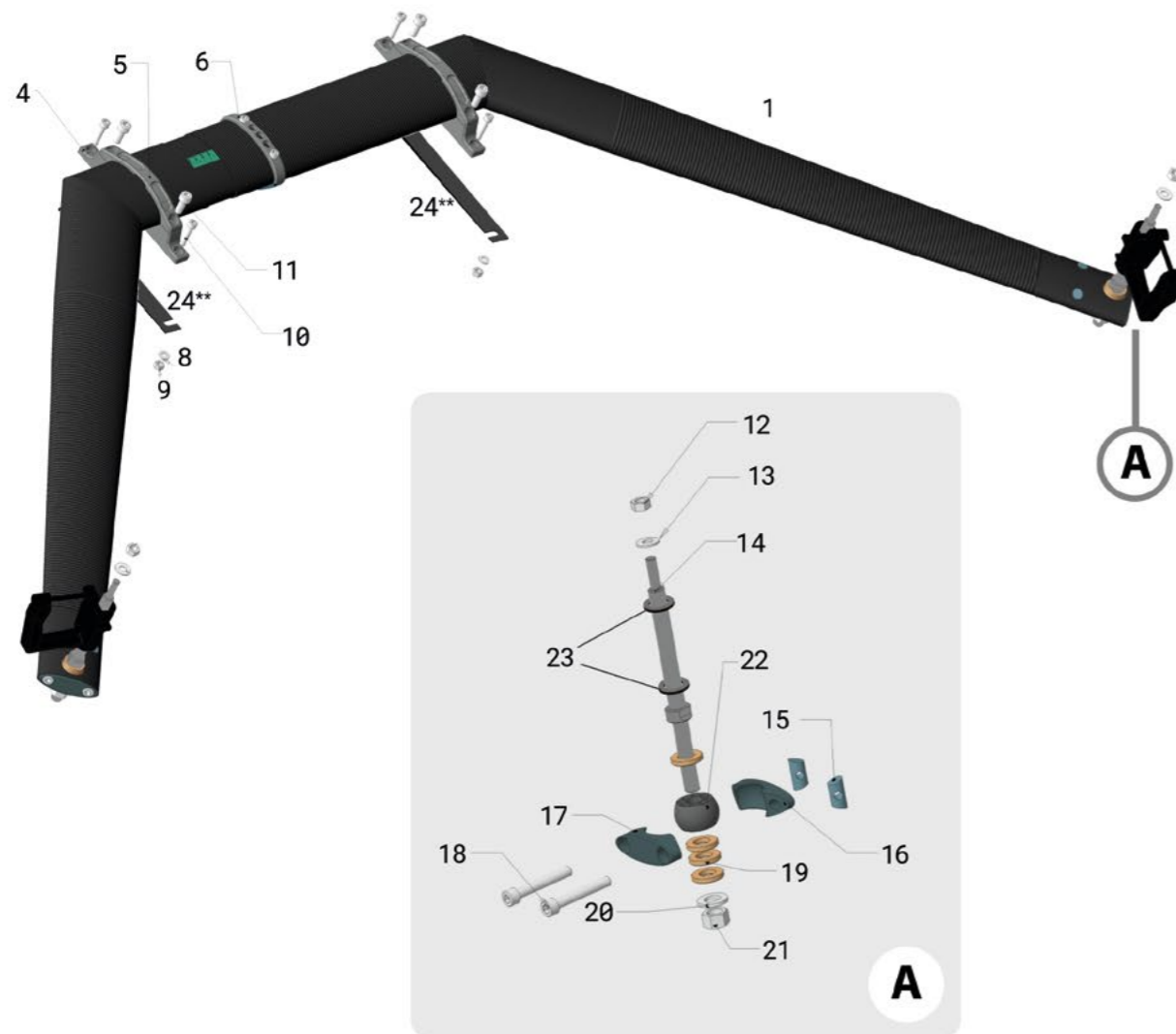
* Provide the serial number of the boat and the FISA seat position

** Optional

PLEASE PROVIDE BOAT SERIAL NUMBER WHEN YOU PLACE THE ORDER

SCULL CARBON WING RIGGER (360° pitch)

Filippi Spare Parts List - v.35 r.6



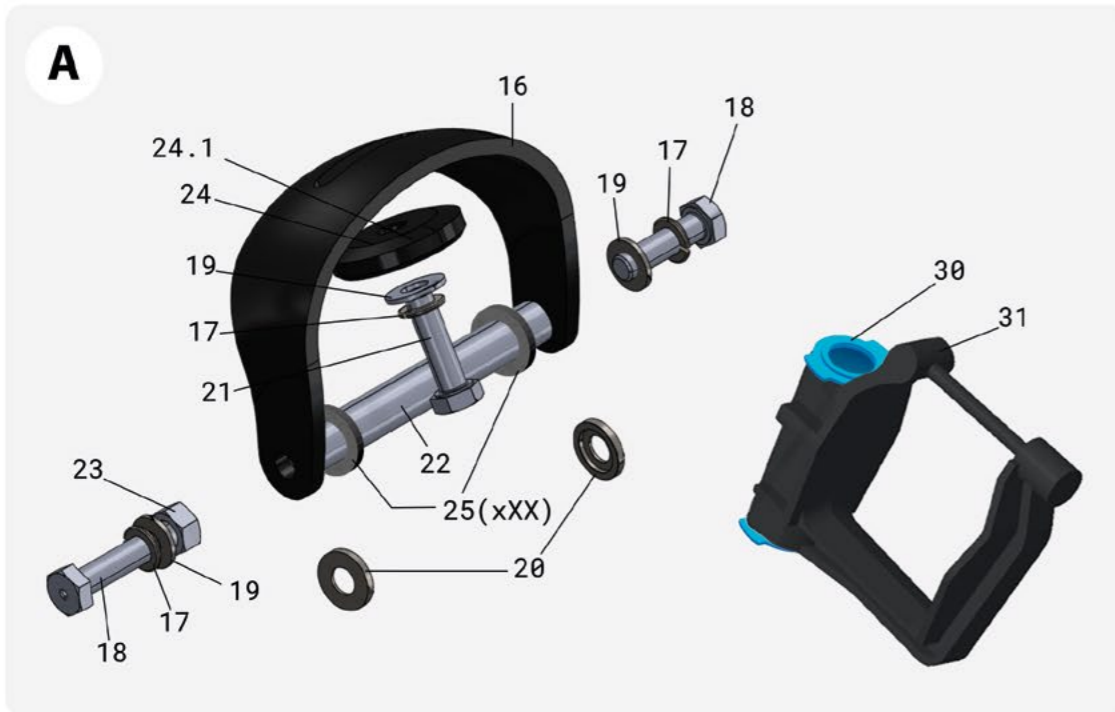
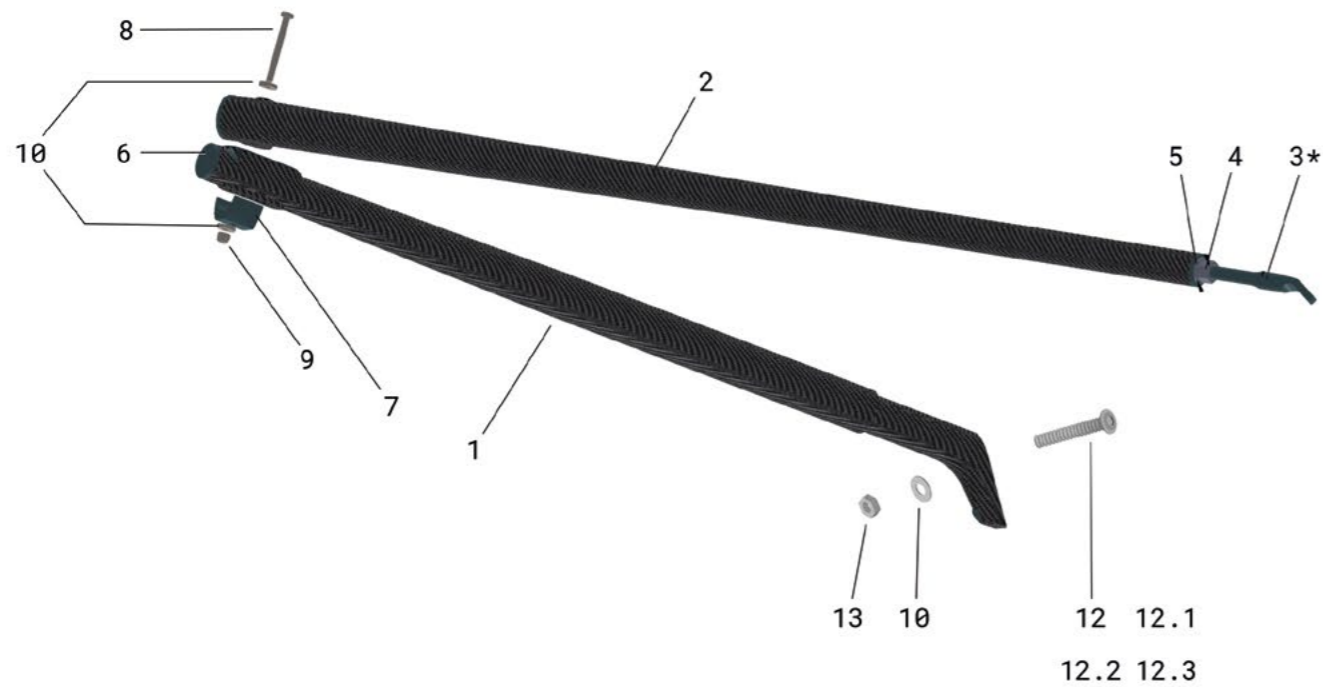
N°	Code	Description
	VABCWCCC	*360° pitch scull carbon wing rigger complete with clamps, backstays, pins and oarlocks
1	VABCWCSC	*360° pitch scull carbon wing frame, with clamps only
	VABCWCPC	*360° pitch scull carbon wing rigger complete with pins and clamps, without oarlocks
4	ASPALLGI	Lower clamp for 360° pitch scull carbon wing rigger fixing
5	ASPALLGS	Upper clamp for 360° pitch scull carbon wing rigger fixing
6	VABCWC050	Aluminium clamp for 360° pitch scull carbon wing rigger components fixing, complete with screws
8	VABXXA006A	Stainless steel washer 6 mm
9	AVDESAG	Hex nut M6
10	AVV6030A	M6 x 30 cylindrical socket head screw
11	AVV815MC	M8 x 15 cylindrical socket head screw
12	AVD8	Stainless steel nut M8
13	VABXXA008A	Stainless steel washer 8 mm
14	VABXMC047	Titanium pin for scull oarlock
14	VABCXC010	Stainless steel pin for scull oarlock
15	ASPALLM8	Cylindrical nut M8 for sphere blocking on 360° pitch scull carbon wing rigger
16	ASPALLTCGI	Outer sphere holder for 360° pitch scull carbon wing rigger
17	ASPALLTCG1	Inner sphere holder for 360° pitch scull carbon wing rigger
18	AVV855	8 x 55 cylindrical socket head screw
19	VABXXT005	5 mm aluminium washer for pin height
20	VABXXA012A	M12 stainless steel washer
21	AVD12UNIA	Stainless steel nut M12 self-locking
22	ASPALLTC	Sphere for 360° pitch scull carbon wing sweep
23	VABXXM010	Black washer for oarlock height adjustment
24	VABCXTAA	Wedge for scull wing rigger height regulation
30	VABCXC0474	Universal bushing for Concept II scull oarlock art. 474
31	VABCXC005	Concept 2 scull nylon oarlock
	VACOPEAL23	Cover for scull monolithic carbon wing rigger

* Provide the serial number of the boat and the FISA seat position

** Optional

PLEASE PROVIDE BOAT SERIAL NUMBER WHEN YOU PLACE THE ORDER

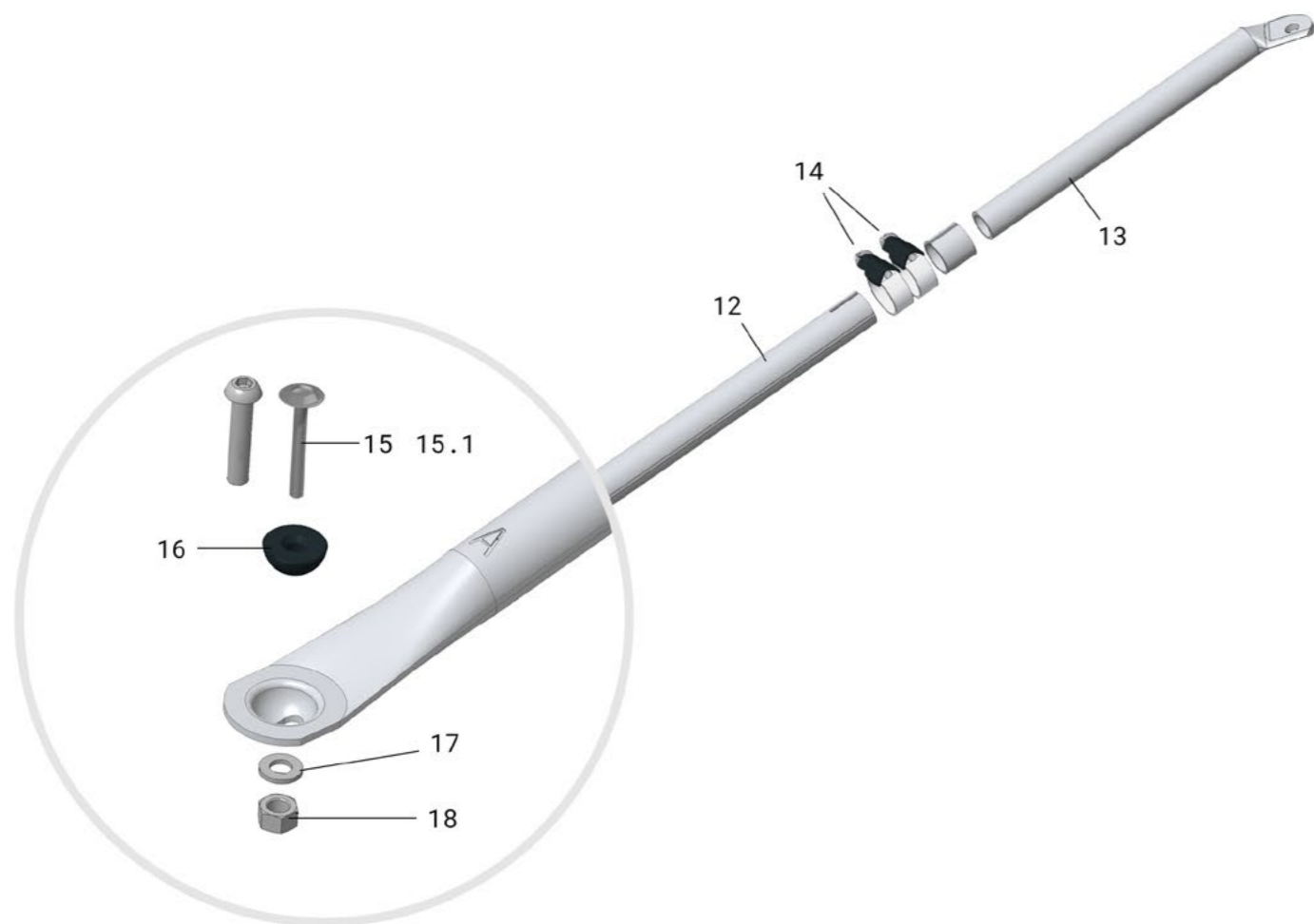
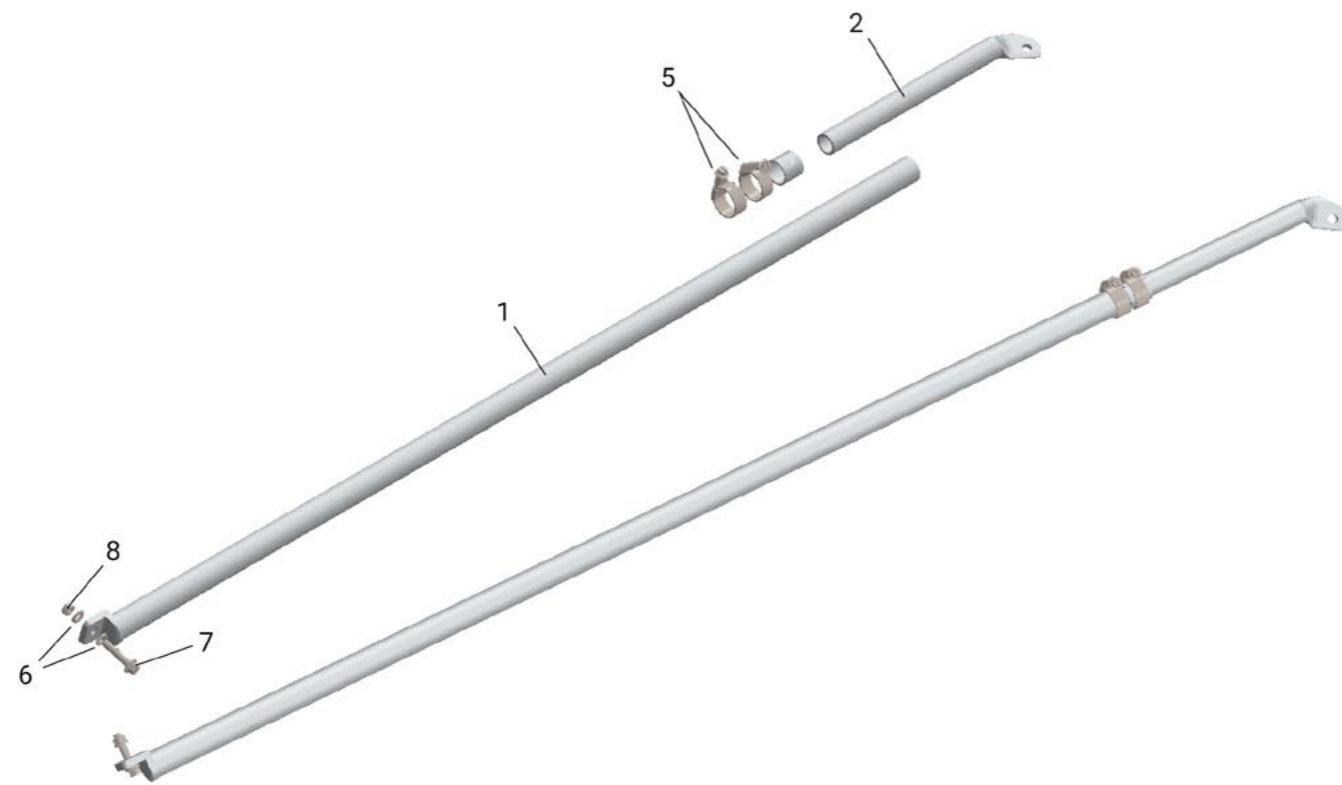
CARBON TUBULAR SWEEP / SCULL RIGGER



N°	Code	Description
	VABCMC000	* Scull carbon tubular rigger complete with hilt, pin and oarlock
	VABPMC000	* Sweep carbon tubular rigger complete with hilt, pin and oarlock
	VABCMC005	* Scull carbon tubular rigger complete with hilt, without pin and oarlock
	VABPMC015	* Sweep carbon tubular rigger complete with hilt, without pin and oarlock
	VABXF203	Stainless steel bushing for rib
7	VABXMC060	Black Aluminium bracket for sweep/scull carbon tubular rigger
4	AVD12UNI	Nut M12
10	VABXXA618A	Stainless steel wide band washer 6 x 18
9	AVD6A	Stainless steel self-locking 6 mm nut
8	AVB60100	Hex head bolt 6 x 100
	VAPEF284	Stainless steel plate for span adjustment on scull/sweep carbon tubular riggers
3	VABXMC085	Aluminium insert for carbon compression tube
10	VABXXA006A	Stainless steel washer 6 mm
5	VABXXA012A	Stainless steel washer 12 mm
6	VABXMC050	Threaded aluminium cap for carbon tubular rigger
2	VABCMC010	Scull compression tube complete with insert
2	VABPMC010	Sweep compression tube complete with insert
1	VABCMC020	Scull carbon main tube complete with foot
1	VABPMC020	Sweep carbon main tube complete with foot
12	AVBA4M6040	M6 x 40 stainless steel flanged button head screw for 1x
12.1	AVBA4M6050	M6 x 50 stainless steel flanged button head screw for 2x
12.2	AVBA4M6060	M6 x 60 stainless steel flanged button head screw for 4x
12.3	AVBAM60100	M6 x 100 stainless steel flanged button head screw for 8+
13	AVDESAG	Hex nut M6
	AVV835BC	M8 X 35 screw for scull carbon tubular rigger
	AVV855BP	M8 X 55 screw for sweep carbon tubular rigger
	AVV315MC	M3 X 15 screw
	VAPEX4043	Black crossbar for carbon tubed boats
	VACOPEAL25	Cover for scull/sweep carbon tubular rigger
	VABINSM12	Black anodized M12 threaded inner insert for carbon compression tube
	VABCXT115	Set of wedges for carbon riggers height adjustment
HILT SECTION		
16	VABXMC010	Aluminium hilt for scull and sweep carbon tubular rigger, without pin and oarlock
16+22	VABXMC015	Aluminium hilt for scull and sweep carbon tubular rigger, with pin, without oarlock
16+22+31	VABXMC020	Aluminium hilt for scull and sweep carbon tube rigger, complete with pin and oarlock
17	VABXXGL8	8mm grower washer
18	AVB830ES	M8 x 30 center bolt
19	VABXXA008A	Stainless steel flat washer 8 mm
20	VABXXGL8E	8mm worked washer for hilt
21	AVBA48035	Hex head screw M8 x 35
22	VABXMC045	7075 light alloy anodized pin for hilt
23	AVD8	Stainless steel nut M8
24	VABXMC105	Large aluminium washer for scull hilt blocking
24.1	VABXMC110	Large aluminium washer for sweep hilt blocking
25	VABXXM010	Black washer for oarlock height adjustment
30	VABCXC0473	Universal bushing for Concept 2 sweep oarlock art. 473
30	VABCXC0474	Universal bushing for Concept II scull oarlock art. 474
31	VABPXC005	Concept 2 sweep nylon oarlock
31	VABCXC005	Concept 2 scull nylon oarlock

* Provide the serial number of the boat and the FISA seat position

PLEASE PROVIDE BOAT SERIAL NUMBER WHEN YOU PLACE THE ORDER



BACKSTAY FOR 3 AND 4 STAY ALUMINIUM RIGGER

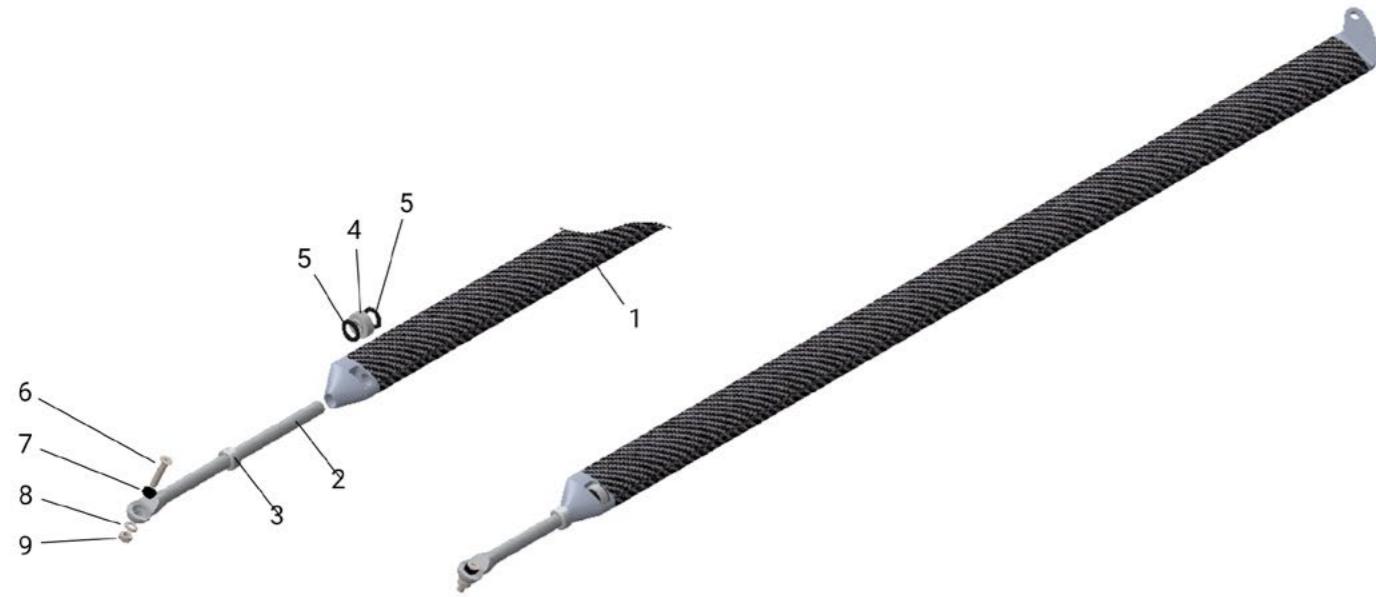
N°	Code	Description
	VABX5T000	Aluminium backstay with welded foot complete with inserts and clamps strokeside
	VABX5T000SX	Aluminium backstay with welded foot complete with inserts and clamps bowside
1	VABX5T030	Aluminium backstay with welded foot without insert
2	VABX5T005DX	Anodized aluminium insert for backstay (strokeside)
2	VABX5T005SX	Anodized aluminium insert for backstay (bowside)
5	VABX5T010	Stainless steel clamp
6	VABXXA006A	Stainless steel washer 6 mm
7	AVV6030A	M6 x 30 cylindrical socket head screw
8	AVDESAG	Hex nut M6

BACKSTAY FOR WING RIGGER

N°	Code	Description
	VABXXC020	Black anodized aluminium backstay complete with insert strokeside
	VABXXC020SX	Black anodized aluminium backstay complete with insert bowside
12	VABX5T020	Anodized aluminium backstay without insert
13	VABX5T005DX0X	Black anodized aluminium insert for backstay (strokeside)
13	VABX5T005SX0X	Black anodized aluminium insert for backstay (bowside)
	VABX5T00CDX	Backstay complete with insert and clamps strokeside
	VABX5T00CSX	Backstay complete with insert and clamps bowside
12	VABX5T030	Aluminium backstay with welded foot without insert
13	VABX5T005DX	Anodized aluminium insert for backstay (strokeside)
13	VABX5T005SX	Anodized aluminium insert for backstay (bowside)
14	VABX5T010	Stainless steel clamp
15.1	AVV6030A	M6 x 30 cylindrical socket head screw (only for 1x)
15	AVBA4M6030	M6 x 30 stainless steel flanged button head screw
16	ASPALLTC5	Pom semi-sphere for backstay
17	VABXXA006A	Stainless steel washer 6 mm
18	AVDESAG	Hex nut M6

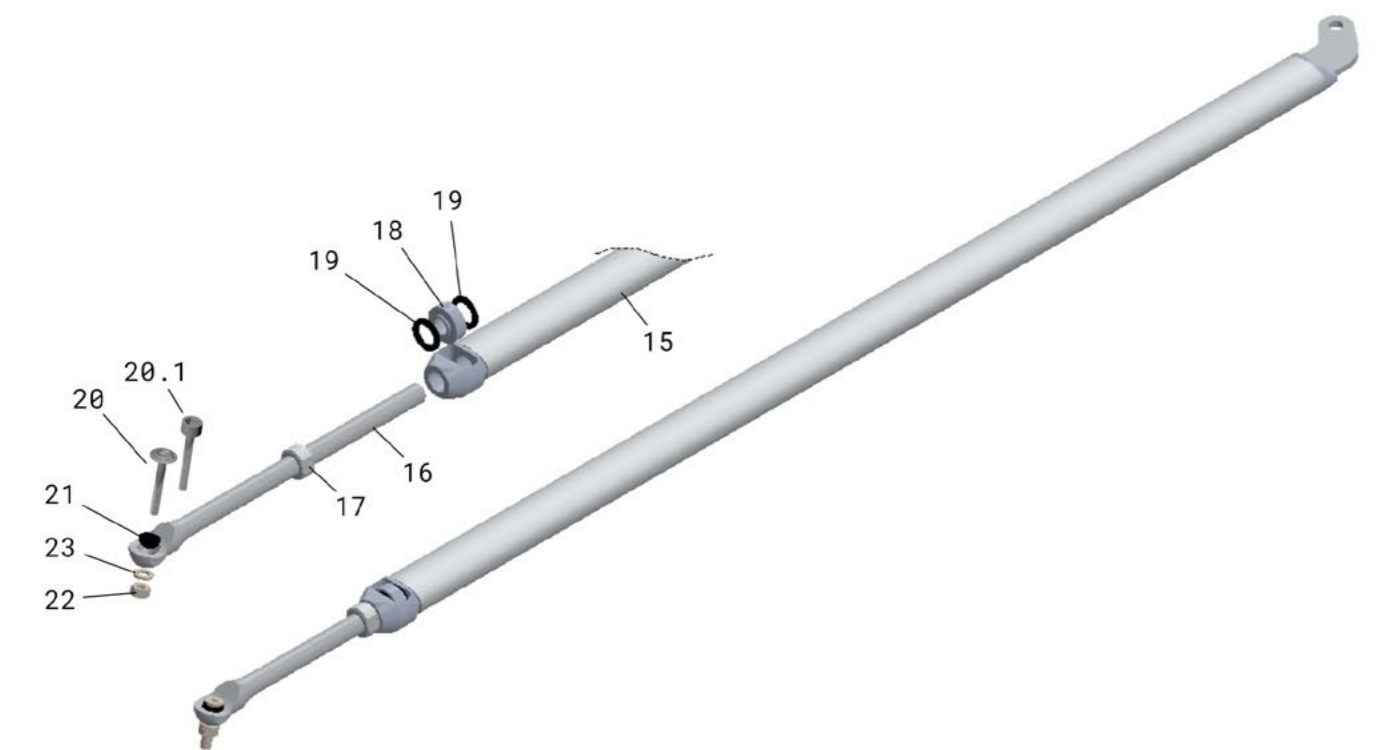
Provide the serial number of the boat and the FISA seat position

PLEASE PROVIDE BOAT SERIAL NUMBER WHEN YOU PLACE THE ORDER



CARBON BACKSTAY

N°	Code	Description
1+2+3+4+5	VABX5T0001	*Complete wing section carbon backstay for "C01" model strokeside
1+2+3+4+5	VABX5T0001SX	*Complete wing section carbon backstay for "C01" model bowside
2	VABPX5T	Threaded insert for carbon backstay strokeside
2	VABPX5TSX	Threaded insert for carbon backstay bowside
3	AVD12X5T	Aluminium M12 nut for carbon backstay
4	AVDREG	Adjustment M12 nut for carbon backstay
5	VABXXM010	Black washer for height adjustment
6	AVBA4M6030	M6 x 30 stainless steel flanged button head screw
7	ASPALLTC5	Pom semi-sphere for backstay
8	VABXXA006A	Stainless steel washer 6 mm
9	AVDESAG	Hex nut M6



ADJUSTABLE BACKSTAY

N°	Code	Description
15+16+17+18+19	VABX5T040SX	Adjustable backstay complete with insert and clamps bowside
15+16+17+18+19	VABX5T040DX	Adjustable backstay complete with insert and clamps strokeside
16	VABPX5T	Anodized aluminium insert for backstay (strokeside)
16	VABPX5TSX	Anodized aluminium insert for backstay (bowside)
17	AVD12X5T	Aluminium M12 nut for backstay
18	AVDREG	Adjustment M12 nut for backstay
19	VABXXM010	Black washer for height adjustment
20	AVBA4M6030	M6 x 30 stainless steel flanged button head screw
20.1	AVV6030A	Allen head bolt cylinder M6X30 (only for 1x)
21	ASPALLTC5	Pom semi-sphere for backstay
22	AVDESAG	Hex nut M6
23	VABXXA006A	Stainless steel washer 6 mm

* Provide the serial number of the boat and the FISA seat position

! PLEASE PROVIDE BOAT SERIAL NUMBER WHEN YOU PLACE THE ORDER

FOLDING STAND

Code	Description
VAVAXA001	Filippi aluminium folding stand

Measures (closed)

thickness: 11cm
height: 105cm
width: 50cm

Measures (open)

height: 86cm (from bottom of canvas to ground: 65cm)
width: 77cm
depth: 50cm



OARS

Code	Description
	CONCEPT 2 SWEEP OARS
VIREPCUCIIDX	Sweep oar, Smoothie2 Plain Edge blade, Ultralight shaft, adjustable handle, cm 373-378, port
VIREPCUCIISX	Sweep oar, Smoothie2 Plain Edge blade, Ultralight shaft, adjustable handle, cm 373-378, starboard
VIREP2CIILVDX	Sweep oar, Smoothie2 Plain Edge blade, Ultralight shaft, adjustable handle, cm 373-378, wood veneer grip, port
VIREP2CIILVSX	Sweep oar, Smoothie2 Plain Edge blade, Ultralight shaft, adjustable handle, cm 373-378, wood veneer grip, starboard
VIREPCUCIIVSX	Sweep oar, Smoothie2 Vortex Edge blade, Ultralight shaft, adjustable handle, cm 373-378, starboard
VIREP2CIIIDX	Sweep oar, Smoothie2 Vortex Edge blade, Ultralight shaft, adjustable handle, cm 373-378, port
VIREP2CIIIDX	Sweep oar, Smoothie2 Plain Edge blade, Ultralight shaft, fixed wooden handle, cm 376, port
VIREP2CIIISX	Sweep oar, Smoothie2 Plain Edge blade, Ultralight shaft, fixed wooden handle, cm 376, starboard
VIREP2CIIISX	Sweep oar, Smoothie2 Plain Edge blade, Skinny shaft, adjustable handle, cm 373-378, medium stiffness, port
VIREP2CIISSX	Sweep oar, Smoothie2 Plain Edge blade, Skinny shaft, adjustable handle, cm 373-378, medium stiffness, starboard
VIREP2CIIIS0DX	Sweep oar, Smoothie2 Plain Edge blade, Skinny shaft, adjustable handle, cm 373-378, soft stiffness, port
VIREP2CIIIS0SX	Sweep oar, Smoothie2 Plain Edge blade, Skinny shaft, adjustable handle, cm 373-378, soft stiffness, starboard
VIREP2CIIFV7DX	Sweep oar, Fat2 Blade, Skinny shaft, adjustable handle, port
VIREP2CIIFV7SX	Sweep oar, Fat2 Blade, Skinny shaft, adjustable handle, starboard
VIREP2CIIFVDX	Sweep oar, Fat2 Blade, Ultralight shaft, adjustable handle, port
VIREP2CIIFVSX	Sweep oar, Fat2 Blade, Ultralight shaft, adjustable handle, starboard
VIREPCUCIIBDX	Sweep oar, Big Blade, Ultralight shaft, adjustable handle, cm 373-378, port
VIREPCUCIIBSX	Sweep oar, Big Blade, Ultralight shaft, adjustable handle, cm 373-378, starboard
VIREPCUCIIBLDX	Sweep oar, Big Blade, Ultralight shaft, fixed wooden handle, cm 376, port
VIREPCUCIIBLSX	Sweep oar, Big Blade, Ultralight shaft, fixed wooden handle, cm 376, starboard
VIREPC2COMPSX	Sweep oar, Comp Blade, Skinny shaft, adjustable handle, starboard
VIREPC2COMPDX	Sweep oar, Comp Blade, Skinny shaft, adjustable handle, port
	CONCEPT 2 SCULLING OARS
VIRECC2CMDX	Sculling oar, Smoothie2 Plain Edge blade, Ultralight shaft, adjustable handle, cm 284-289, port
VIRECC2CIISXM	Sculling oar, Smoothie2 Plain Edge blade, Ultralight shaft, adjustable handle, cm 284-289, starboard
VIRECC2CIIDX	Sculling oar, Smoothie2 Plain Edge blade, Ultralight shaft, adjustable handle, cm 287-292, port
VIRECC2CIISX	Sculling oar, Smoothie2 Plain Edge blade, Ultralight shaft, adjustable handle, cm 287-292, starboard
VIRECC2VXDX	Sculling oar, Smoothie2 Vortex Edge blade, Ultralight shaft, adjustable handle, cm 287-292, port
VIRECC2VXSX	Sculling oar, Smoothie2 Vortex Edge blade, Ultralight shaft, adjustable handle, cm 287-292, starboard
VIRECCOSKDXS	Sculling oar, Smoothie2 Plain Edge blade, Skinny shaft, adjustable handle, cm 284-289, soft stiffness, port
VIRECC2MSX	Sculling oar, Smoothie2 Plain Edge blade, Skinny shaft, adjustable handle, cm 284-289, soft stiffness, starboard
VIRECCOSKDXM1	Sculling oar, Smoothie2 Plain Edge blade, Skinny shaft, adjustable handle, cm 284-289, medium stiffness, port
VIRECC2MSXM	Sculling oar, Smoothie2 Plain Edge blade, Skinny shaft, adjustable handle, cm 284-289, medium stiffness, starboard
VIRECCOSKDXS1	Sculling oar, Smoothie2 Plain Edge blade, Skinny shaft, adjustable handle, cm 287-292, soft stiffness, port
VIRECCOSKSXS1	Sculling oar, Smoothie2 Plain Edge blade, Skinny shaft, adjustable handle, cm 287-292, soft stiffness, starboard
VIRECCOSKDXM	Sculling oar, Smoothie2 Plain Edge blade, Skinny shaft, adjustable handle, cm 287-292, medium stiffness, port
VIRECCOSKSXM	Sculling oar, Smoothie2 Plain Edge blade, Skinny shaft, adjustable handle, cm 287-292, medium stiffness, starboard

Code	Description
VIREBBCIIDX	Sculling oar, Big Blade, Ultralight shaft, adjustable handle, cm 287-292, port
VIREBBCIISX	Sculling oar, Big Blade, Ultralight shaft, adjustable handle, cm 287-292, starboard
VIRECMCIIDX	Sculling oar, Fat2 blade, Ultralight shaft, adjustable handle, port
VIRECMCIISX	Sculling oar, Fat2 blade, Ultralight shaft, adjustable handle, starboard
VIRECC2COMPDX	Sculling oar, Comp Blade, Skinny shaft, adjustable handle, port
VIRECC2COMPSX	Sculling oar, Comp Blade, Skinny shaft, adjustable handle, starboard
VIRECOST295DX	Sculling training oar, Macon blade, cm 295, port
VIRECOST295SX	Sculling training oar, Macon blade, cm 295, starboard
	ACCESSORIES FOR CONCEPT 2 OARS
VAVAIMP01	Oar L-shaped angle finder
VAVAREVORS	Scull vortex edge art. 804BX
VAVAREVOR	Sweep vortex edge art. 803BX
VAVARECP	Sleeve clam for scull/sweep
VAVAREA02	Scull collar
VAVAREA03	Sweep collar
VAVAREAC06	Scull wooden handle
VAVAREAP05	Sweep wooden handle diameter 4,5 cm, art. 182
VAVAREAP1	Adjustable carbon handle without grip for sculling oar
VAVAREARP1	Adjustable carbon handle without grip for sweep oar
VAVAREA021	Sleeve for sweep oar, black/green
VAVAREA022	Sleeve for scull oar, black/green
VAVAREA01	Fixed Black grip for sculling oar, art. 191
VAVAREA05A	Adjustable blue grip for sculling oar (diameter 35 mm), art. 547
VAVAREA05B	Adjustable green grip for sculling oar (diameter 34,5 mm), art. 566
VAVAREA16	Sweep inner grip
VAVAREAZ1	Adjustable ice blue rubber grip for sculling oar (diameter 33,5 mm)
VAVAREA07	Scull Smoothie 2 Plain Edge blade
VAVAREA08	Sweep Smoothie 2 Plain Edge blade
VABCXC00396	Oarlock star nut
VAVAREA020B	Wear plate for white scull sleeve art. 181
VAVAREA020C	Wear plate for white sweep sleeve
VAVAREA01AZ	Fixed azure blue grip for sculling oar, art. 563
VAVAREA05	Adjustable black grip for sculling oar (diameter 35 mm), art.590
VAVAREA05P	Adjustable green grip for sweep oar (diameter 37,5 mm), art. 619
VAVAREA565	Adjustable green grip for sculling oar (diameter 32 mm), art. 565
VAVAREA534	Adjustable contoured orange rubber grip for sculling oar (diameter 33,5 mm), art. 534
VAVAREA534P	Adjustable contoured orange rubber grip for sweep oar (diameter 33,5 mm), art. 534
VABPXC005	Sweep oarlock
VABCXC005	Scull oarlock
VABCXC0473	Universal bushing for Concept 2 sweep oarlock art. 473
VABCXC0474	Universal bushing for Concept 2 scull oarlock art. 474
VAVAREA02P	Sleeve for sweep oar, white
VAVAREA832	Adjustable sweep grip with suede patch
VAVAREA837	Adjustable sweep grip with suede patch (diameter 37 mm), art.848
VAVAREA837SK	Adjustable sweep grip with suede patch (diameter 39 mm), art.847
VAVAREA821	Suede patch for sweep outer grip, art.821
VAVAREA822	Suede patch for sweep inner grip, art.822

PLEASE PROVIDE BOAT SERIAL NUMBER WHEN YOU PLACE THE ORDER

Code	Description
VAVAREA817	Inner wood grip, art.817
VAVAREA818	Outer wood grip, art.818
VAVAREA864	Grip adjustable scull only suede thin 32 mm diameter art.864
VAVAREA823	Suede patch for scull inner grip
VAVAREACBB	Scull BB 2 Plain Edge blade
VAVAREAPBB	Sweep BB 2 Plain Edge blade
VAVAREA0ARBOX	Box for oars transport (green)
VAVAREACMC	Clam for scull collar

WATER BOTTLES

Code	Description
VAVASC0222	Bottle with light blue cap 600 ml
VAVASC0CC	Carbon bottle holder for 1x
VAVASC0KP	Screws kit for water bottle fixing

NANOTECHNOLOGICAL CLEANING KIT

Code	Description
VAEVOSS	Shoes sanitizer – protective and sanitizing spray for Filippi MAS Shoes
VAEVONC	Natural cleaner – special cleaning spray for carbon parts
VAEVOAC	Anti-corrosion – Antioxidant cleaning spray for metal parts
VAEVOHP	Hull protector – Antibacterial cleaning spray for hull protection
VAEVOPA	Antistatic microfiber cloth

BOAT COVERS

Code	Description
	COVERS FOR SKIFF
VACOPE1ECS01	* Boat cover for 1x F01
VACOPE1ECS07	* Boat cover for 1x F07
VACOPE1ECS14	* Boat cover for 1x F14
VACOPE1ECS15	* Boat cover for 1x F15
VACOPE1ECS22	* Boat cover for 1x F22
VACOPE1ECS44	* Boat cover for 1x F44
VACOPE1ECS45	* Boat cover for 1x F45
VACOPE1ECS50	* Boat cover for 1x F50
VACOPE1ECS39	*Boat cover for 1x F39
VACOPE1ECS47	*Boat cover for 1x F47
VACOPE1ECS69	*Boat cover for 1x F69
VACOPE1ECS70	*Boat cover for 1x F70
VACOPE1ECS72	* Boat cover for 1x F72
VACOPE1H	* Cover for 1x Adaptive
	COVERS FOR DOUBLE AND PAIR
VACOPE251	* Boat cover for 2x / 2- F51
VACOPE2ECS13	* Boat cover for 2x /2- F13
VACOPE2ECS13W	* Boat cover for 2x /2- F13
VACOPE2ECS17	* Boat cover for 2x / 2- F17
VACOPE2ECS17W	* Boat cover for 2x / 2- F17
VACOPE2ECS30	* Boat cover for 2x /2- F30
VACOPE2ECS30W	* Boat cover for 2x /2- F30
VACOPE2ECS36	* Boat cover for 2x / 2- F36
VACOPE2ECS46	* Boat cover for 2x / 2- F46
VACOPE2ECS60	*Boat cover for 2x/2- F60
VACOPE2ECS60W	*Boat cover for 2x/2- F60

Code	Description
VACOPE2ECS24	*Boat cover for 2x/2- F24
VACOPE268	*Boat cover for 2x/2- F68
VACOPE2H	* Cover for 2x Adaptive
	COVERS FOR QUAD AND FOUR
VACOPE4ECS19	* Boat cover for 4+ F19
VACOPE4ECS31	* Boat cover for 4x / 4- / 4+ F31
VACOPE4ECS38	* Boat cover for 4x / 4- F38
VACOPE4ECS40	* Boat cover for 4x / 4- F40
VACOPE4ECS43	* Boat cover for 4x / 4- F43
VACOPE4ECS52	* Boat cover for 4x / 4- F52
VACOPE4ECS61	* Boat cover 4x / 4- F61
VACOPE4ECS11	*Boat cover for 4x /4- F11
VACOPE4ECS53	*Boat cover for 4x/4- F53
VACOPE4ECS34	*Boat cover for 4x+ /4+/ 4x F34
	COVERS FOR (COXED) EIGHT
VACOPE8ECS	* Boat cover for 8 + F41
VACOPE8ECS42	* Boat cover for 8 + F42
VACOPE8F49	* Boat cover for 8 + F49
VACOPE8F54	*Boat cover for 8+ F54
VACOPE8F29	*Boat cover for 8+ F29

OTHER ACCESSORIES

Code	Description
VAVAIMP02	Inclinometer for Aliante riggers (pitch meter)
AUCRISTO	Boat loading support
VAVASC010	4mm elastic cord for seat blocking
ACNADFILIPPI	Filippi adhesive tape roll for packing
VAVAXA002	Rigger height measuring stick
AMVDH0192	** Catalyzed spray paint blue or white - ml 400
AVB8050BRFL	8 X 50 flanged button head screw for 8+ section built until 2019
AVB8070BRFL	8 X 70 flanged button head screw for current 8+ section
VABXA832A	Stainless steel 8 x 32 wide band washer for 8+ section
AVD8	Stainless steel nut M8 for 8+ section
AAARET8+	Black backrest with Filippi logo for coxswain on 8+ and 4+ (at stern)
AAARET4+	Black headrest with Filippi logo for coxswain on 4+ (at bow)
VABXMC0X	Fairlead cap
VAVASC001	Bow protection ball
VAVASC006	Plastic number holder
VAVASCPNC	Carbon forged number holder
VABXMC046	Hilt stainless steel pin
ASPAR0132	Higher wavebreaker for 1x
AVRIVE26M4030	Rivet for wavebreaker
AVV4010A4	4 X 10 hex round head screw for wavebreaker
AVV4015A4	4 X 15 hex round head screw for wavebreaker
VABXA004A12	Stainless steel wide band washer 4 X 12
VABXA46798	Stainless steel knurled washer 4 mm
VAVASC005	Plastic hatch cover diameter 100 mm
VAVASC50	Plastic hatch cover diameter 50 mm
VAVASC005B	Hatch holder rod (for diameter 100 mm model)
VAVASC50T	Plastic hatch holder (for diameter 50 mm model)

PLEASE PROVIDE BOAT SERIAL NUMBER WHEN YOU PLACE THE ORDER



























Code	Description
AAVASC010	Black nylon snap hook 6 mm for seats
VAPE01004	Straps for training single footstretcher
AAARETNER1	Black rectangular anti-slip mat 155 X 60 mm
AAARETNER1	Arrow shaped anti-slip mat in straw 228 X 75 mm
VAVASC018	Filippi fixing belt 3 m.
ACVMF	Filippi T-Shirt
ACVCAPSILF	Filippi hat
AAAFIL2B	"Filippi" blue embossed sticker 70x28 mm
AAAFIL2W	"Filippi" white embossed sticker 70x28 mm
AAAFIL2N	"Filippi" black embossed sticker 70x28 mm
AAAFIL95B	"Filippi" blue embossed sticker 96,4x51,2 mm
AAAFIL95W	"Filippi" white embossed sticker 96,4x51,2 mm
AAAFIL95N	"Filippi" black embossed sticker 96,4x51,2 mm
AMVD6000	White paint D6000 1L.
AMVD8302	Harner D8302 1L.
AMV8714	Thinner D8714 1L.
ASPARO	Wavebreaker for boats built until 2017
PASP248W	Wavebreaker fo 2x, 4x, 8+
AVCB0620060	Plastic bolt cap (white)
AAVASC01	Signed "Filippi" plastic holder for steering cable
ASPARASPCF	Carbon shoulder protector
VABXXM4B	4mm white nylon open washer
VABXXM6B	6mm blue nylon open washer
VAVASC008	Plastic hatch cover diameter 160 mm
COASTAL ROWING BOATS	
VABXMT12	Stainless steel bow bitt for coastal rowing boat
VABXMT11	PVC bow bitt for coastal rowing boat
VAVASC008	Plastic hatch cover diameter 160 mm
VABXMT0538	Scupper hatch for coastal rowing boat
VABXMN1XC	Stainless steel plate for Coastal shoes
VAVTAGP2000	8mm Ballast plate 2000 in A4 for Coastals
VAPEXACT48	Pair of Active tools shoes size 43-48
VAVASC06406B	Blue rope (6 mm) for coastal rowing boat
VAVASC064412	Float orange rope (12 mm) for coastal rowing boat
VAVASC0644AR	Float orange rope (8 mm) for coastal rowing boat
VAVASALCR2	Filippi life jacket
VAVASALVCR	Traditional life jacket
AASPOTCRW	Elastic black cloth with eyelets for coastal rowing boat
AASPOTCRWF85	Black tarpaulin with grommets/eyelets for Coastal F85
VABXMT05913	Black PVC bow cap 160 mm
VACAXAC0A	Pair of anodized aluminium slide beds for 1x coastal
VAPEX1XC	Pair of wedges for 1x coastal rowing crossbar
VABXMT26308	Large cleat 4x+ Coastal rowing boat
VABXMT35500	Oar clip holder 35 mm 4x+ Coastal rowing boat
VABXMT35502	Oar clip holder 40 mm 4x+ Coastal rowing boat
VABXMT26300	Cleat 4x+ Coastal Rowing boat
VACOPE180	Boat cover for 1x F80 coastal
VACOPE183	Boat cover for 1x F83 coastal
VACOPE181	Boat cover for 2x F81 coastal
VACOPE1COASTCS84	Boat cover for 1x F84 coastal
VACOPE2COASTCS85	Boat cover for 2x F85 coastal
VACOPE4COASTCS82	Boat cover for 4x+ F82 coastal
ASPAROCR	Wavebreaker for coastal rowing boat
VATROLLEYCOSTUNI	universal trolley

NIELSEN-KELLERMAN MERCHANDISE












Code	Description
VACXNKGPSU	CoxBox GPS unit art. Coxbox
VACXNK110G	Cox-Box GPS complete
VACXNK300G	Cox-box GPS complete, 3 speakers-sec, for 8+
VACXNK200G	Cox-Box GPS complete, 2 speakers for 4+
VACXNK300	Cox-box CORE complete, 3 speakers-sec, for 8+
VACXNK110	Cox-box CORE complete
VACXNK200	Cox-Box CORE complete, 2 speakers for 4+
VACXNKCBSU	CoxBox CORE unit art. Coxbox
VACXNK207	NK Loudspeaker mod. 2 for Cox-Box art. 0207B
VACXNK310	Harness for Cox-Box NK module M speaker extension art. 0292
VACXNK210	Harness for Cox-Box NK module A+ audio rate art. 0291
VACXNK311	Harness for Cox box NK module R rate sensor art. 0293
VACXNK030	Microphone with Rubber Connector and Headband for Cox-Box NK, art. 0200
VAIN2NK000	NK Interval 2000 Split/Rate Watch, art 0130
VAIN2NK050	Protective Bumper for NK Interval 2000, art. 0169
VAIN2NK111B	Cox-Box GPS or Core Top Bumper, art. 0111
VAIN2NK112B	Cox-Box GPS or Core Bottom Bumper, art. 0112
VASCNK030	Seat magnet, art. 0229
VASCNK011	T-bracket for NK stroke and speed coach, art. 0280
VASPNKR020	NK Impeller for speed-coach gold/red, art. 0151
VASPNKR010	SpeedCoach wiring 1x art.3155
VASCNK010	SpeedCoach wiring stroke of 2x or 2- art.3165
VASPNKGPS183E	SpeedCoach GPS - Model 2
VASPNKGPS183ET	SpeedCoach GPS - Model 2 with Training Pack
VAIN2NK189	SpeedCoach GPS Protective Bumper. art. 0189
VASPNK050	SpeedCoach/StrokeCoach Protective Bumper, art. 0159
VASCNK065	Replacement Battery door Stroke-Coach with Surge Rate and SpeedCoach Gold/Red
VACXNK050	Battery charger for Cox Box unit, art. 0204
VACXNK060	Cox-Box battery pack, art. 0105
VACXNKBAG	NK gear bag for Cox-Box, art. 0117
VASCNK0282	Angle bracket for deck/wing, art. 0282
VASCNK3179	Plain Mounting Dock (for all StrokeCoach or SpeedCoach models), art. 3179
VASPNKR236	Kit for Cable Mount System, art. 0236
VACXNK040	Cup Bracket for Cox-Box / Cox-Box Mini System, art. 0298
VACXNK102	Unit for Cox-Box Mini NK, art. 0102
VACXNK185	SpeedCoach GPS Charger, art 0185EU
VASPNKR129	NK heart rate belt for GPS SpeedCoach art.0127
VASPNKSE0187	EmPower oarlock (sweep/scull) art.018
VASCNKR125	StrokeCoach with Surge Rate
VACXNK207X	Flap for loudspeaker mod 2 art. 0207X
VASPNKR286	Mounting strap per speed coach art. 0286

PLEASE PROVIDE BOAT SERIAL NUMBER WHEN YOU PLACE THE ORDER

FILIPPI COLLECTION

Code	Description
 VAOF43	Filippi sunglasses model F43
 VAOF045	Filippi sunglasses model F45
 VAOF050	Filippi sunglasses model F50
 VAOF051	Filippi sunglasses model F51-01 black
 VAOF05102	Filippi sunglasses model F51-02 transparent
 VAOF05103	Filippi sunglasses model F51-03 blue
 VAOF05104	Filippi sunglasses model F51-04 green
 VAOF05105	Filippi sunglasses model F51-05 pink
 VAOF05106	Filippi sunglasses model F51-06 orange
 VAOF052B	Filippi sunglasses model F52 black
 VAOF052W	Filippi sunglasses model F52 white
 VAOF052BT	Filippi sunglasses model F52 tecno
 VAOF053W	Filippi sunglasses model F53 white
 VAOF053B	Filippi sunglasses model F53 black
 VAOF053BT	Filippi sunglasses model F53 tecno
 VAOFALB	Filippi sunglasses model new Aliante black
 VAOFALW	Filippi sunglasses model new Aliante white
 VAOF054	Filippi sunglasses model F54
 VAOFGOLD	Filippi 2020 sunglasses gold lenses
 VAOF020PI	Filippi 2020 sunglasses pink lenses
 VAOF020RE	Filippi 2020 sunglasses red lenses
 VAOF020SIL	Filippi 2020 sunglasses silver lenses
 VAOFCLEAR	Filippi 2020 sunglasses photochromic lenses
 VAOF0F70PIT	Filippi sunglasses model F70 tecno pink lenses
 VAOF0F70RET	Filippi sunglasses model F70 tecno red lenses
 VAOF0F70SILT	Filippi sunglasses model F70 tecno silver lenses

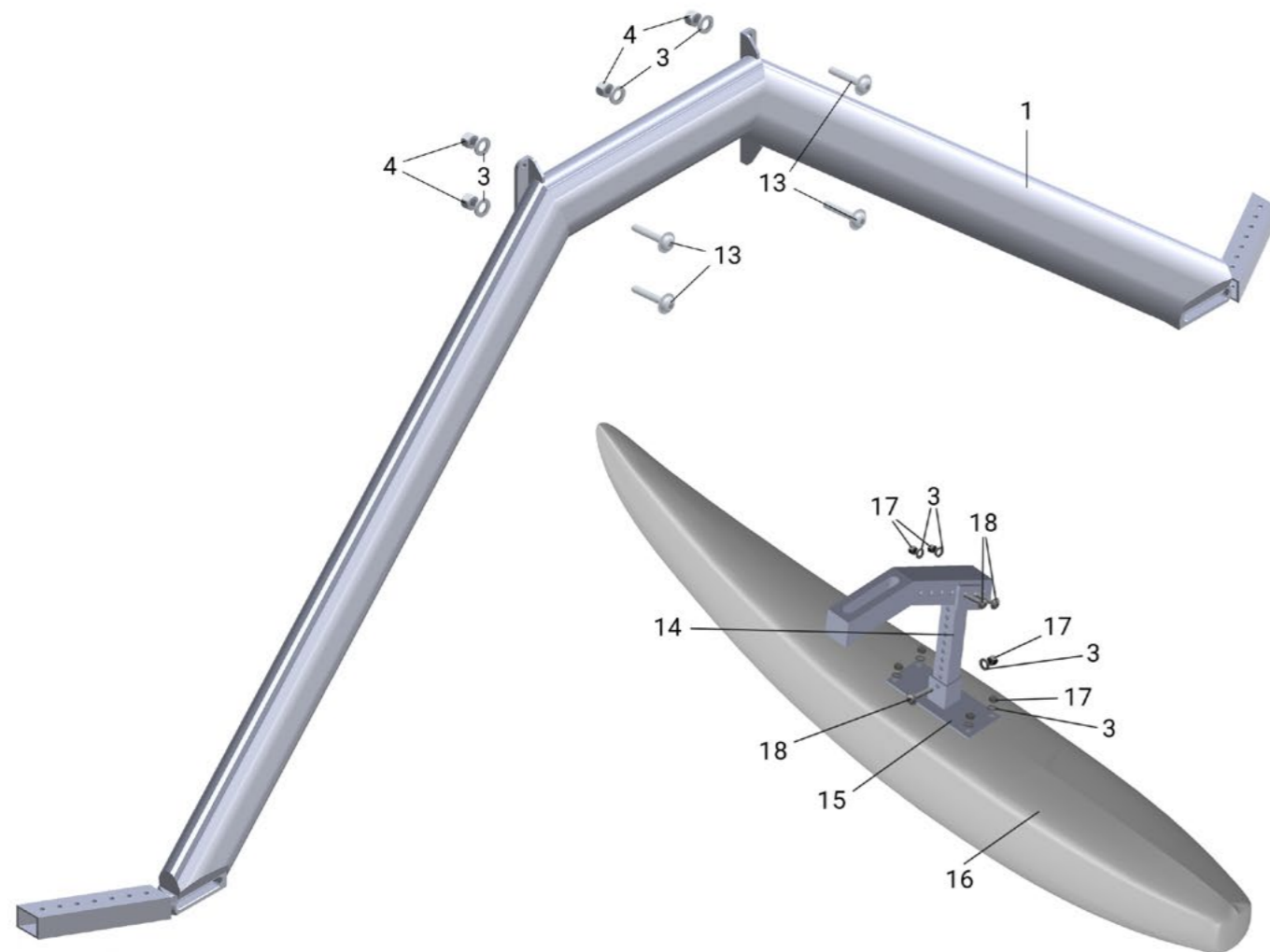
Filippi Spare Parts List - v.35 r.6

Code	Description
 BODYF57BXX*	Filippi body F57
 BODYF57DBXX*	Filippi body F57 dark blue
 BODYF58XX*	Filippi body F58
 TSHIRTF51XX*	Filippi t-shirt F51
 BODYULBXX*	Filippi body ultra light blue
 BODYULPXX*	Filippi body ultra light pink
 TSHIRTF52XX*	Filippi t-shirt F52
 BODYF57DBXX*	Filippi body New Zealand
 SHIRTF84XX*	Filippi thermal shirt F84
 BODYUSA*	Filippi body US Rowing
 VAPEFXXM20P**	Filippi MAS 20 sport shoes

* when ordering insert your size (XS, S, M, L, XL, XXL) in the code instead of **XX** (some items may only have certain sizes available)

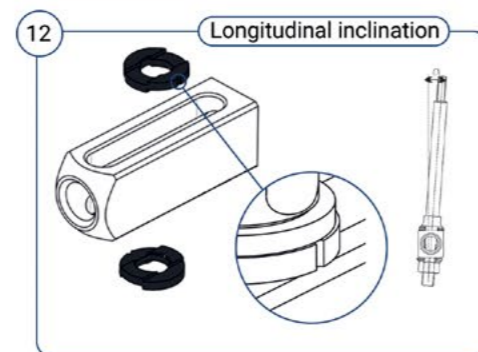
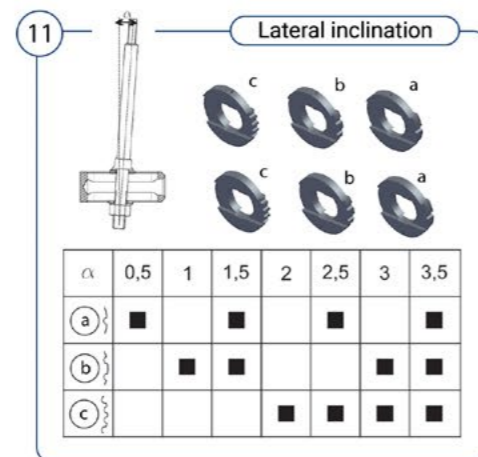
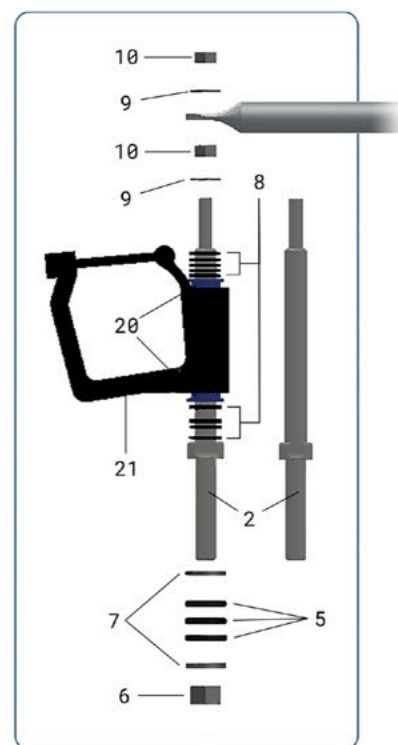
** when ordering insert your shoe size (EU) in the code instead of **XX**

! PLEASE PROVIDE BOAT SERIAL NUMBER WHEN YOU PLACE THE ORDER

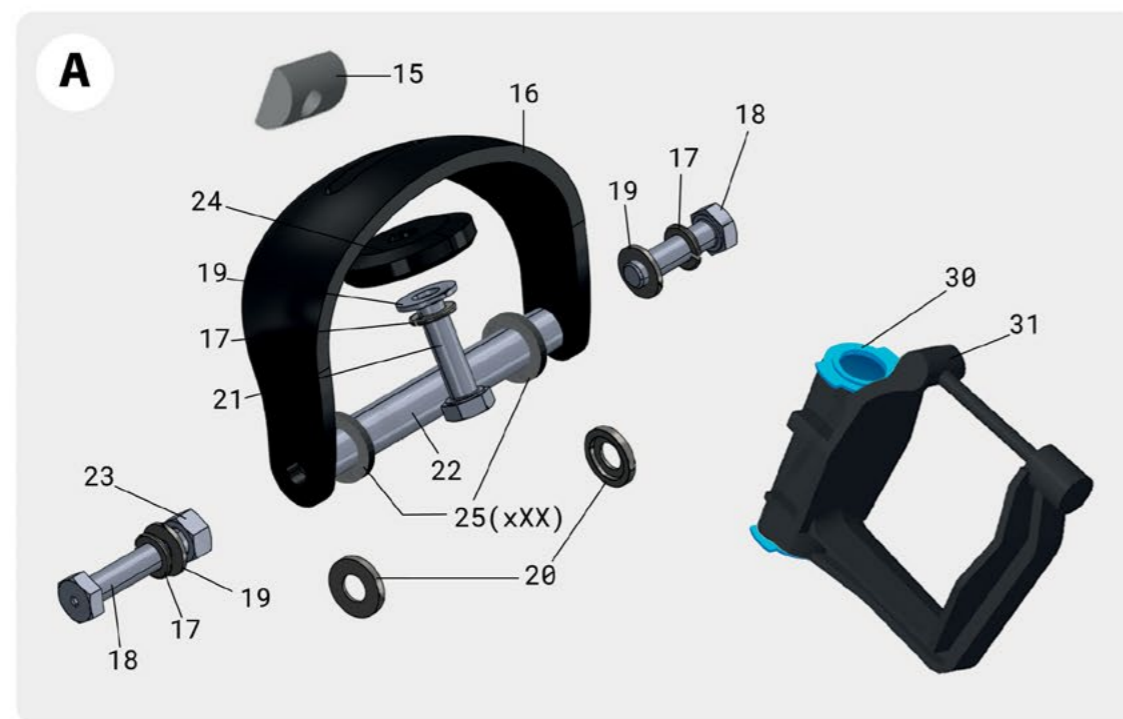
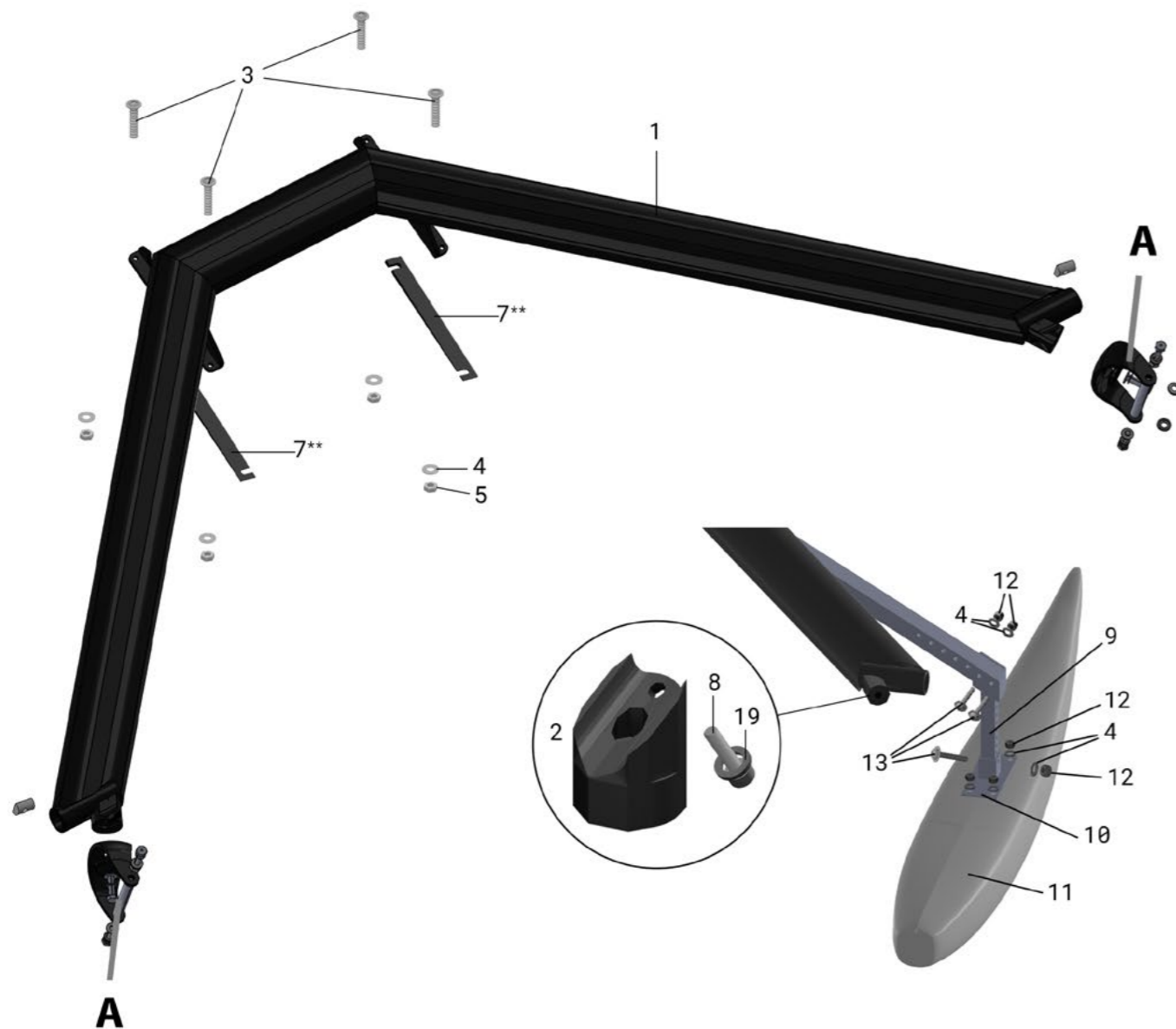


N°	Code	Description
	VABCGIG4KPA	Scull aluminium wing rigger for 1x Adaptive complete with pins, oarlocks and floats joints
	VABCWC0ADAW	* Scull aluminium wing rigger for 2x Adaptive complete with pins and oarlocks
1	VABCWCADSS	* Scull aluminium wing rigger for Adaptive boats, frame only
14	AMPGUIGA	Float rigger joint for scull aluminium wing rigger on 1x Adaptive
15	AMPGUIPA	Plate for float joint
16	AMPGUIFLA	Float for 1x Adaptive wing rigger
18	AVBA4M6050	M6 x 50 stainless steel flanged button head screw for 1x
2	VABXMC047	Titanium pin for scull oarlock
2	VABCXC010	Stainless steel pin for scull oarlock
13	AVBA4M6030	M6 x 30 stainless steel flanged button head screw for 1x Adaptive
3	VABXXA006A	Stainless steel washer 6 mm
4	AVDESAG	Hex nut M6
5	VABXXT005	5 mm aluminium washer for pin height
7	VABXXA012A	M12 stainless steel washer
6	AVD12UNIA	Stainless steel nut M12 self-locking
8	VABXXM010	Black washer for oarlock height adjustment
9	VABXXA008A	Stainless steel washer 8 mm
10	AVD8	Stainless steel nut M8
11	VABXMC070	Set of inclined washers for pin lateral adjustment (6 pcs)
12	VABXMC070L	Set of washers for pin longitudinal adjustment (4 pcs)
20	VABCXC0474	Universal bushing for Concept II scull oarlock art. 474
21	VABCXC005	Concept 2 scull nylon oarlock
17	AVD6A	Stainless steel self-locking 6 mm nut

* Provide the serial number of the boat and the FISA seat position



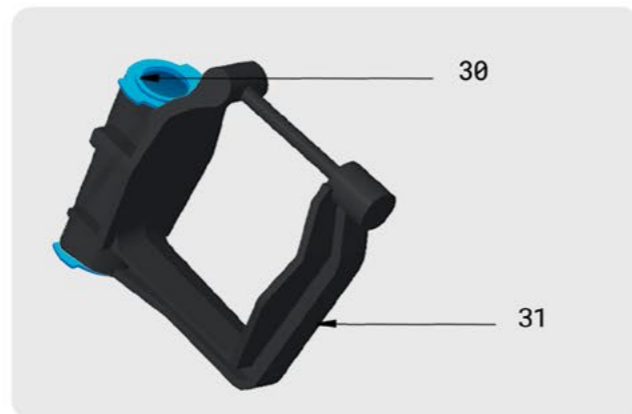
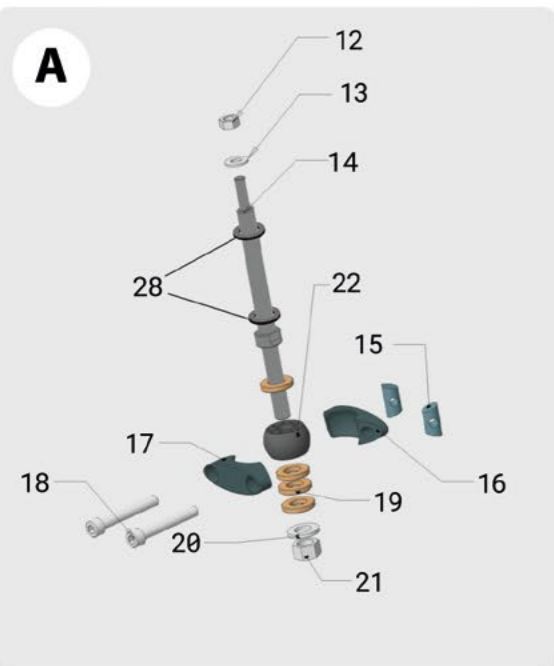
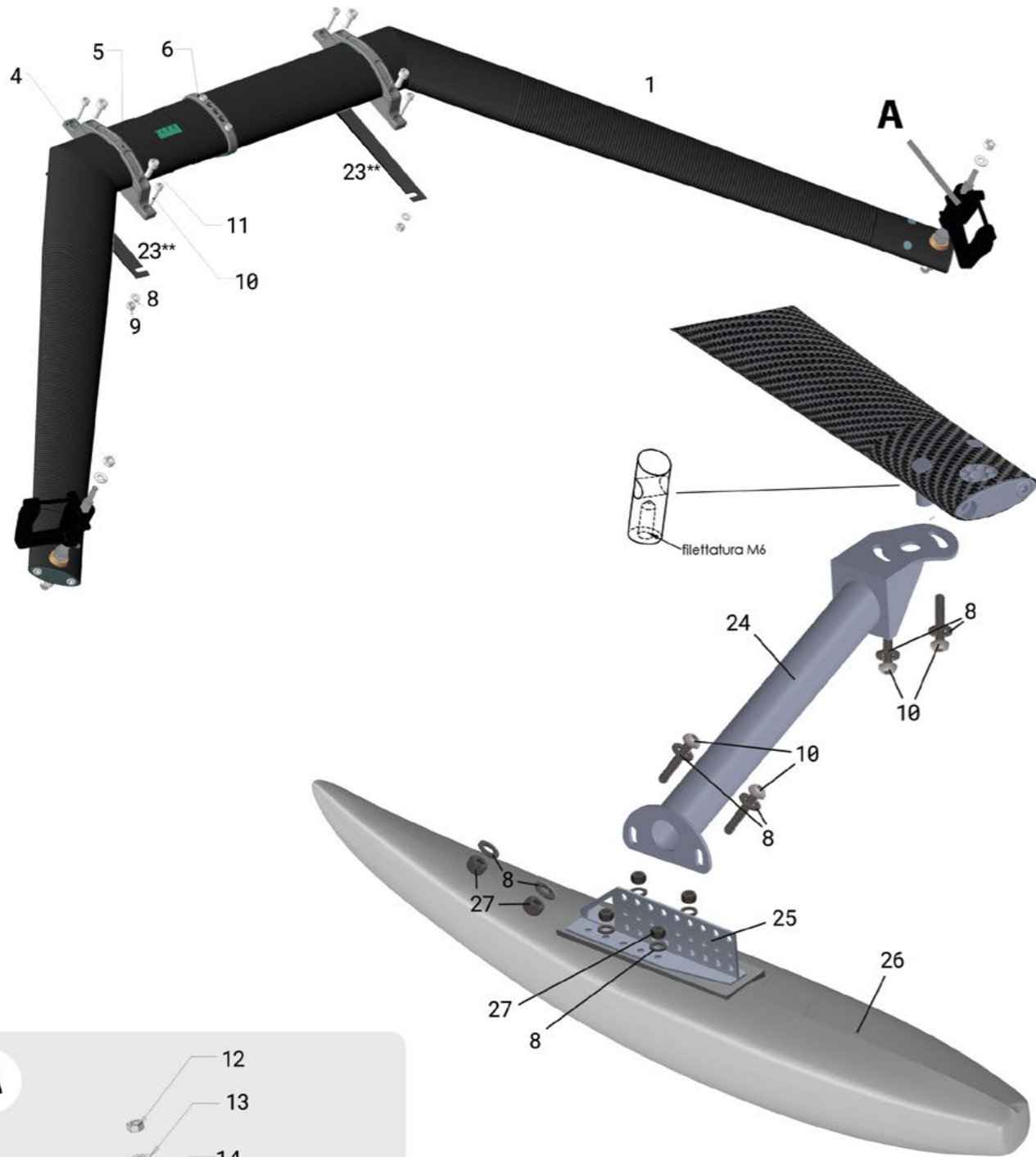
! PLEASE PROVIDE BOAT SERIAL NUMBER WHEN YOU PLACE THE ORDER



N°	Code	Description
	VABCALA500ADAT	Scull alum. wing rigger Aliante 1x Adaptive complete with hilts stainless steel pins, oarlocks and floats joints
	VABCALA500AD	* Scull alum. wing rigger Aliante 2x Adaptive complete with hilts, stainless steel pins and oarlocks
	VABCALA510AD	* Scull alum. wing rigger Aliante 2x Adaptive complete with stainless steel pins, else without oarlocks
1	VABCALA515	* Scull aluminium wing rigger Aliante for Adaptive boats, frame only
9	AMPGUIGAAA	Float rigger joint for scull aluminium wing rigger Aliante on 1x Adaptive
10	AMPGUIPA	Plate for float joint
11	AMPGUIFLA	Float for 1x Adaptive wing rigger
2	VABXALA040	Aluminium hilt holder for scull aluminium wing rigger Aliante
8	AVV8020C	M8 x 20 cylindrical socket head screw
3	AVBA4M6030	M6 x 30 stainless steel flanged button head screw
4	VABXXA006A	Stainless steel washer 6 mm
5	AVDESAG	Hex nut M6
7	VABCXTAAP	Wedge for height regulation - 20cm
	VACOPEAL11	Cover for Adaptive scull aluminium wing rigger rigger Aliante
12	AVD6A	Stainless steel self-locking 6 mm nut
13	AVBA4M6050	M6 x 50 stainless steel flanged button head screw
	HILT SECTION	
15	VABXALA030	Crescent-shaped nut for scull aluminium wing rigger Aliante
17	VABXXGL8	8mm grower washer
18	AVB830ES	M8 x 30 center bolt
19	VABXXA008A	Stainless steel flat washer 8 mm
20	VABXXGL8E	8mm worked washer for hilt
21	AVBA48035	Hex head screw M8 x 35
22	VABXMC045	Hilt stainless steel pin
23	AVD8	Stainless steel nut M8
24	VABXMC105	Large aluminium washer for scull hilt blocking
30	VABCXC0474	Universal bushing for Concept II scull oarlock art. 474
31	VABCXC005	Concept 2 scull nylon oarlock
16	VABXAL010	Aluminium hilt without pin and oarlock for Aliante rigger
16+22	VABXAL015	Aluminium hilt with pin, without oarlock for Aliante rigger
16+22+31	VABXAL020	Aluminum hilt with pin and oarlock for Aliante rigger
25	VABXXM010	Black washer for pin height adjustment

* Provide the serial number of the boat and the FISA seat position
 ** Optional

PLEASE PROVIDE BOAT SERIAL NUMBER WHEN YOU PLACE THE ORDER

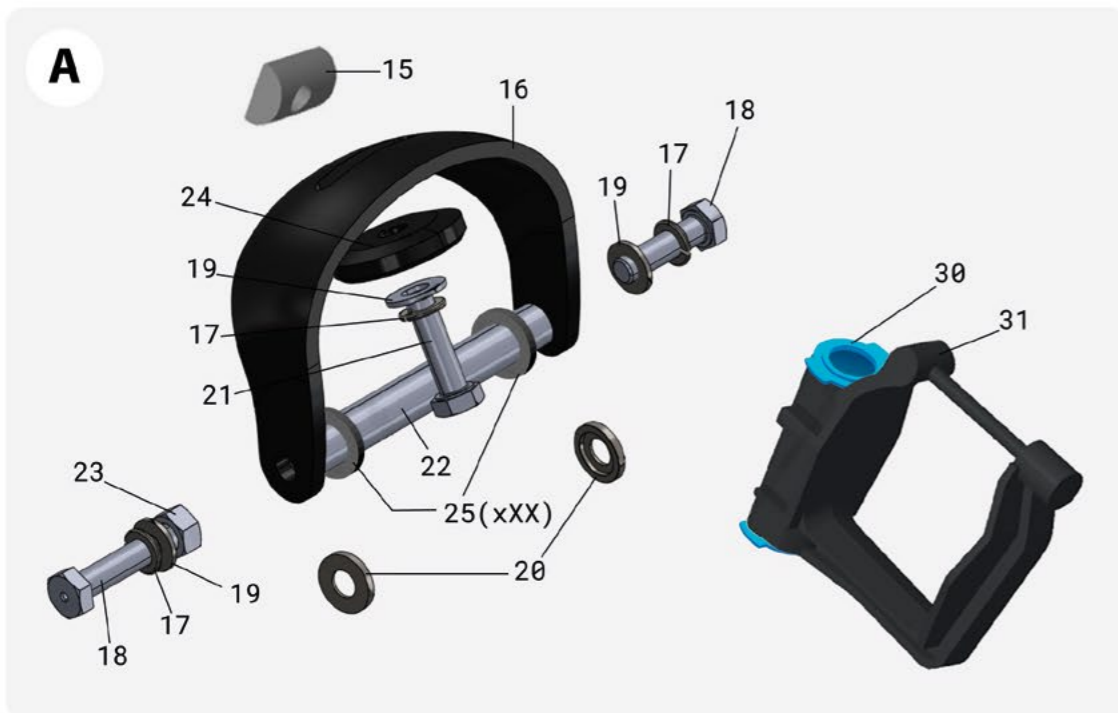
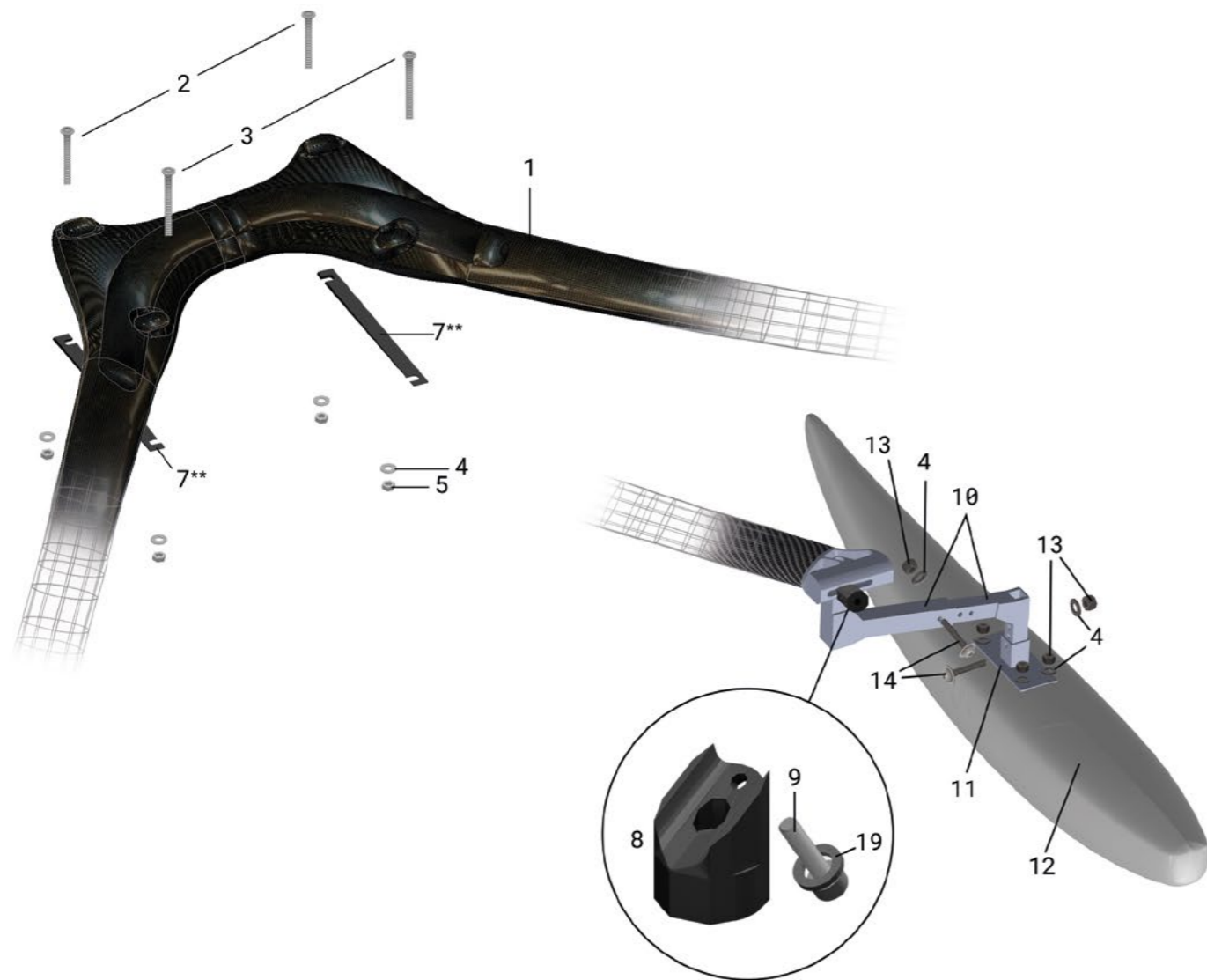


N°	Code	Description
	VABCWC0ADCW	Scull carbon wing rigger for 1x Adaptive complete with pins, oarlocks, clamp and floats joints
	VABCWCPC	* Scull carbon wing rigger for 2x Adaptive complete with pins, clamp without oarlocks
	VABCWCCC	* Scull carbon wing rigger for 2x Adaptive complete with pins, oarlocks and clamp
1	VABCWCSC	* Scull carbon wing rigger, frame only with clamps
24	AMPGUIGAK	Float rigger joint for scull carbon wing rigger on 1x Adaptive
25	AMPGUIPK	Plate for float joint on 1x Adaptive scull carbon wing rigger
26	AMPGUIFLA	Float for 1x Adaptive wing rigger
5	ASPALLGS	Upper clamp for scull carbon wing rigger fixing
4	ASPALLGI	Lower clamp for scull carbon wing rigger fixing
6	VABCWC050	Aluminium clamp for scull carbon wing rigger components fixing, complete with screws
8	VABXXA006A	Stainless steel washer 6 mm
9	AVDESAG	Hex nut M6
10	AVV6030A	M6 x 30 cylindrical socket head screw
11	AVV815MC	M8 x 15 cylindrical socket head screw
12	AVD8	Stainless steel nut M8
13	VABXXA008A	Stainless steel washer 8 mm
14	VABXMC047	Titanium pin for scull oarlock
14	VABCXC010	Stainless steel pin for scull oarlock
15	ASPALLM8	Cylindrical nut M8 for sphere blocking on 360° pitch scull carbon wing rigger
16	ASPALLTCGI	Outer sphere holder for 360° pitch scull carbon wing rigger
17	ASPALLTCG1	Inner sphere holder for 360° pitch scull carbon wing rigger
18	AVV855	8 x 55 cylindrical socket head screw
19	VABXXT005	5 mm aluminium washer for pin height
20	VABXXA012A	M12 stainless steel washer
21	AVD12UNIA	Stainless steel nut M12 self-locking
22	ASPALLTC	Sphere for 360° pitch scull carbon wing rigger
23	VABCXTAA	Wedge for scull wing rigger height regulation
28	VABXXM010	Black washer for oarlock height adjustment
30	VABCXC0474	Universal bushing for Concept II scull oarlock art. 474
31	VABCXC005	Concept 2 scull nylon oarlock
27	AVD6A	Stainless steel self-locking 6 mm nut

* Provide the serial number of the boat and the FISA seat position

** Optional

PLEASE PROVIDE BOAT SERIAL NUMBER WHEN YOU PLACE THE ORDER



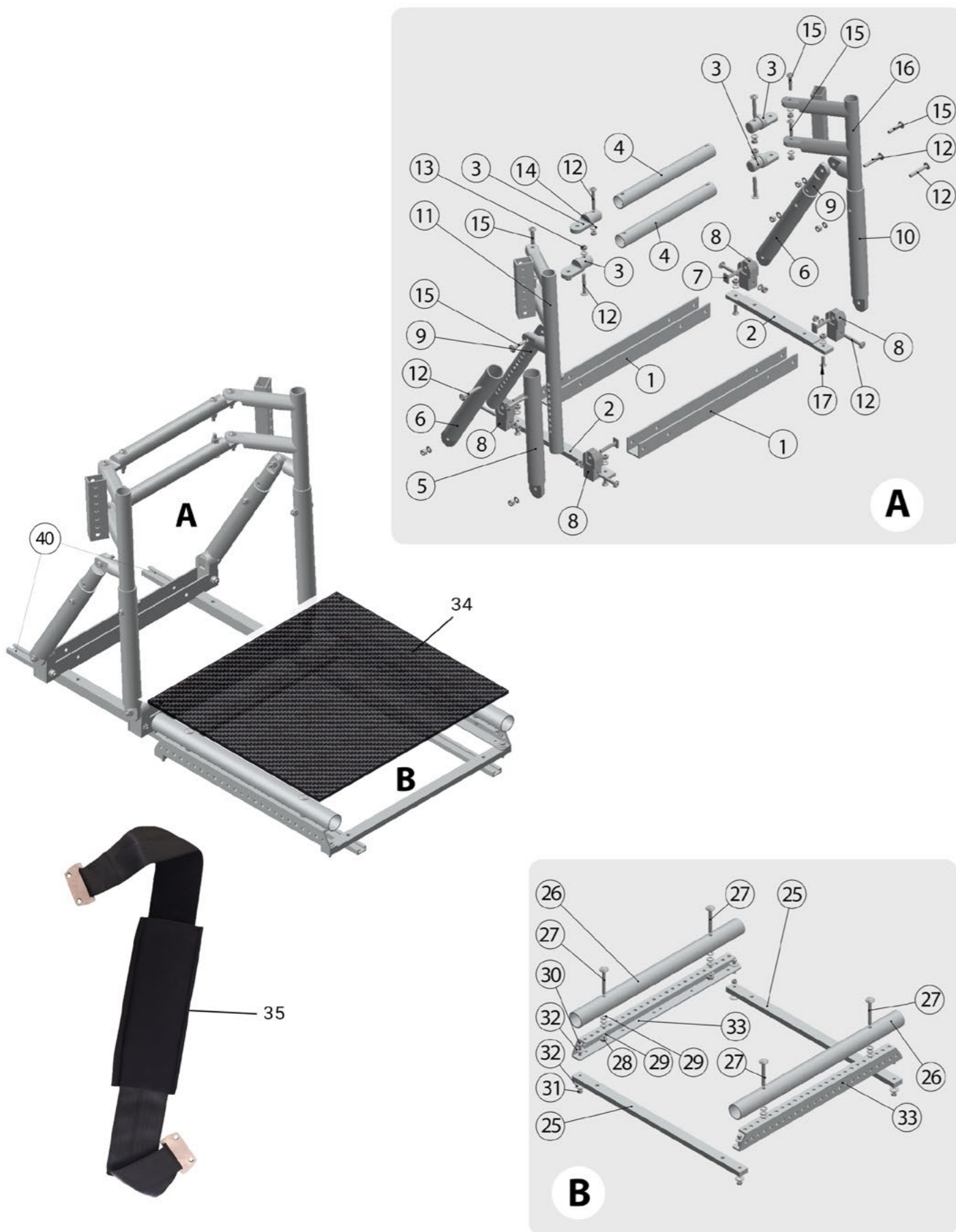
N°	Code	Description
	VABCALC300ADAT	Scull carbon wing rigger Aliante 1x Adaptive complete with stainless steel pins, oarlocks and floats joints
	VABCALC300AD	* Scull carbon wing rigger Aliante 2x Adaptive complete with hilts, stainless steel pins and oarlocks
	VABCALC310AD	* Scull carbon wing rigger Aliante 2x Adaptive complete with hilts, stainless steel pins, without oarlocks
1	VABCALC315AD	* Scull carbon wing rigger Aliante for Adaptive boats, frame only
10	AMPGUIGAAC	Float rigger joints for scull carbon wing rigger Aliante on 1x Adaptive
11	AMPGUIPA	Plate for float joint on 1x Adaptive scull carbon wing rigger Aliante
12	AMPGUIFLA	Float for 1x Adaptive wing rigger
8	VABXALA040	Aluminium hilt holder for scull aluminium wing rigger Aliante
9	AVV8020C	M8 x 20 cylindrical socket head screw
2	AVBAMM608704	M6 x 70 stainless steel flanged button head screw
3	AVBAMM60804	M6 x 80 stainless steel flanged button head screw
4	VABXXA006A	Stainless steel washer 6 mm
5	AVDESAG	Hex nut M6
7	VABCXTAAP	Wedge for height regulation - 20cm
	VACOPEAL11	Cover for scull aluminium wing rigger Aliante
13	AVD6A	Stainless steel self-locking 6 mm nut
14	AVBA4M6050	M6 x 50 stainless steel flanged button head screw (for 1x)
HILT SECTION		
15	VABXALA030	Crescent-shaped nut for scull wing rigger Aliante
17	VABXXGL8	8mm grower washer
18	AVB830ES	M8 x 30 center bolt
19	VABXXA008A	Stainless steel flat washer 8 mm
20	VABXXGL8E	8mm worked washer for hilt
21	AVBA48035	Hex head screw M8 x 35
22	VABXMC045	Hilt stainless steel pin
23	AVD8	Stainless steel nut M8
24	VABXMC105	Large aluminium washer for scull hilt blocking
30	VABCXC0474	Universal bushing for Concept II scull oarlock art. 474
31	VABCXC005	Concept 2 scull nylon oarlock
16	VABXAL010	Aluminium hilt without pin and oarlock for Aliante rigger
16+22	VABXAL015	Aluminium hilt with pin, without oarlock for Aliante rigger
16+22+31	VABXAL020	Aluminium hilt with pin and oarlock for Aliante rigger
25	VABXXM010	Black washer for pin height adjustment

* Provide the serial number of the boat and the FISA seat position

** Optional

PLEASE PROVIDE BOAT SERIAL NUMBER WHEN YOU PLACE THE ORDER

1x ADAPTIVE BOAT SEAT

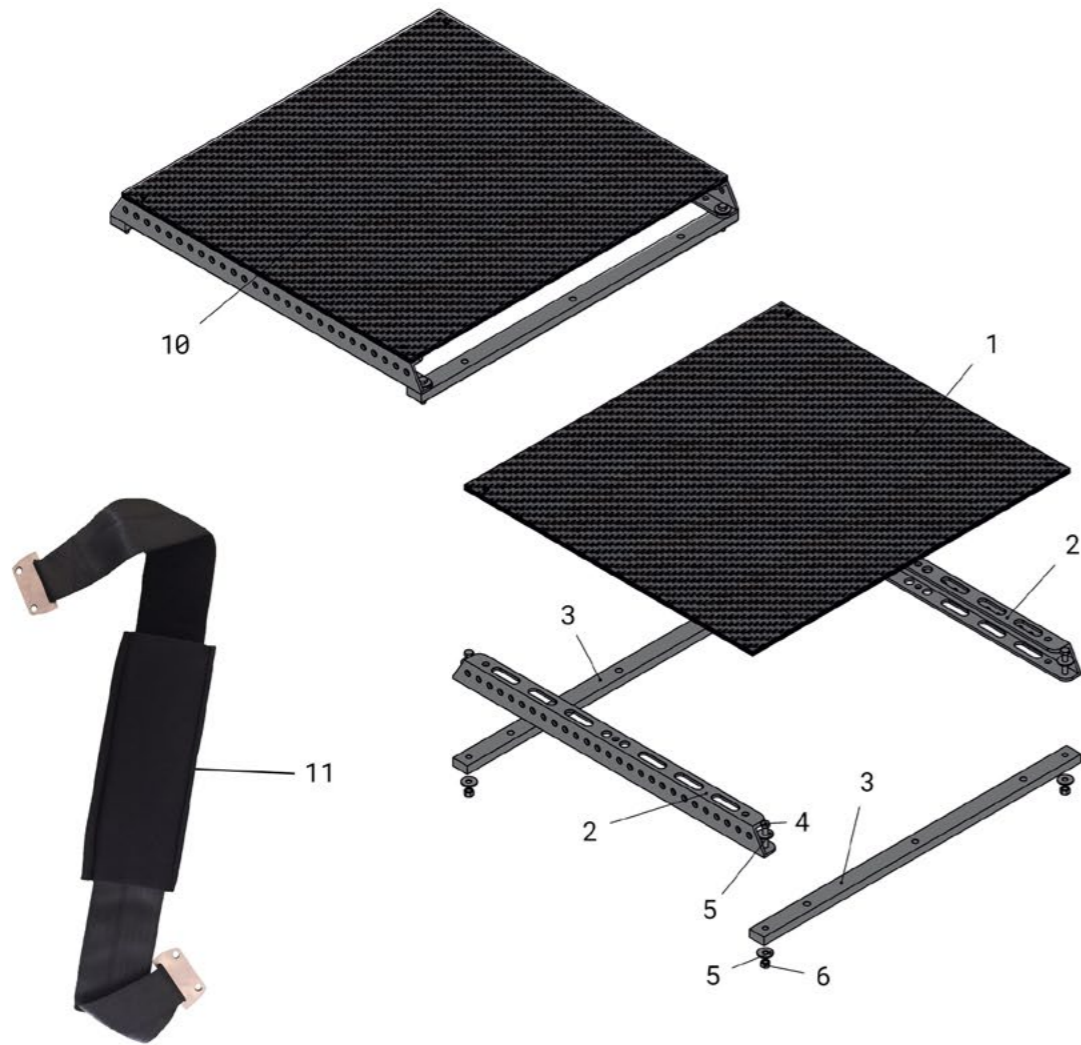


N°	Code	Description
SECTION A		
1	VACATR1AD	Backrest crossbar for boat fixing
2	VACADIAD	Spacer for backrest crossbar
3	VACATAAD	Tubular plug for backrest crossbar
4	VACATR2AD	Backrest crossbar
5	VACATSVADDX	Vertical mounting tube (right)
6	VACATSDAD	Diagonal mounting tube
7	AVBA4M6030	M6 x 30 stainless steel flanged button head screw
8	VACATASAD	Plug for mounting tube blocking
9	VACATSFADAD	Diagonal drilled inner mounting tube
10	VACATSVAD	Vertical mounting tube (left)
11	VACATSFVDX	Vertical drilled inner mounting tube (right)
12	AVBA4M6040	M6 x 40 stainless steel flanged button head screw
13	AVD6A	Stainless steel self-locking 6 mm nut
14	VABXXA006A	Stainless steel washer 6 mm
15	AVBA4M6025	M6 x 25 stainless steel flanged button head screw
16	VACATSFV SX	Vertical drilled inner mounting tube (right)
17	AVV6020	6 x 20 stainless steel cross-head screw block fixing
SECTION B		
25	VACATRF SAD	Seat crossbar for boat fixing
26	VACATFSAD	Tube for seat fixing
27	AVBA4M6050	M6 x 50 stainless steel flanged button head screw
28	AVD6A	Stainless steel self-locking 6 mm nut
29	VABXXA006A	Stainless steel washer 6 mm
30	AVBA4M530	5 x 30 hex head screw
31	AVD5A	Stainless steel self-locking 5 mm nut
32	VABXXA005A	Stainless steel washer 5 mm
33	VACATR3AD	Drilled C shaped crossbar for 1x Adaptive
	VACOPEADP1X	Seat kit for Adaptive 1x complete with padding and n.3 straps
	VACOPEAD1X	1x Adaptive backrest and seat frame
35	VACOPFAECS32	Belt for Adaptive seat with 2 hole plates
34	VACASED1XA	Carbon board for 1x Adaptive seat
40	VACAX6000A	anodized rails for Adaptive seat

PLEASE PROVIDE BOAT SERIAL NUMBER WHEN YOU PLACE THE ORDER

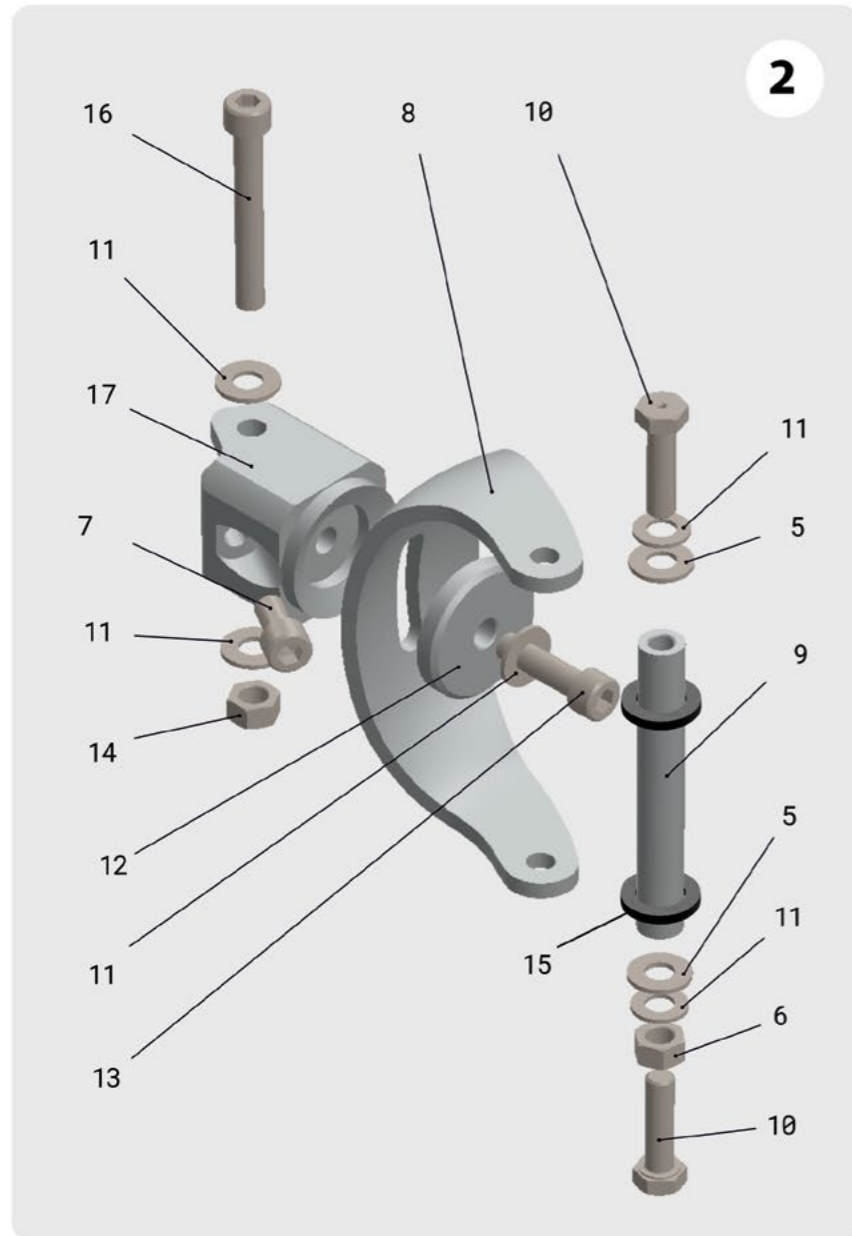
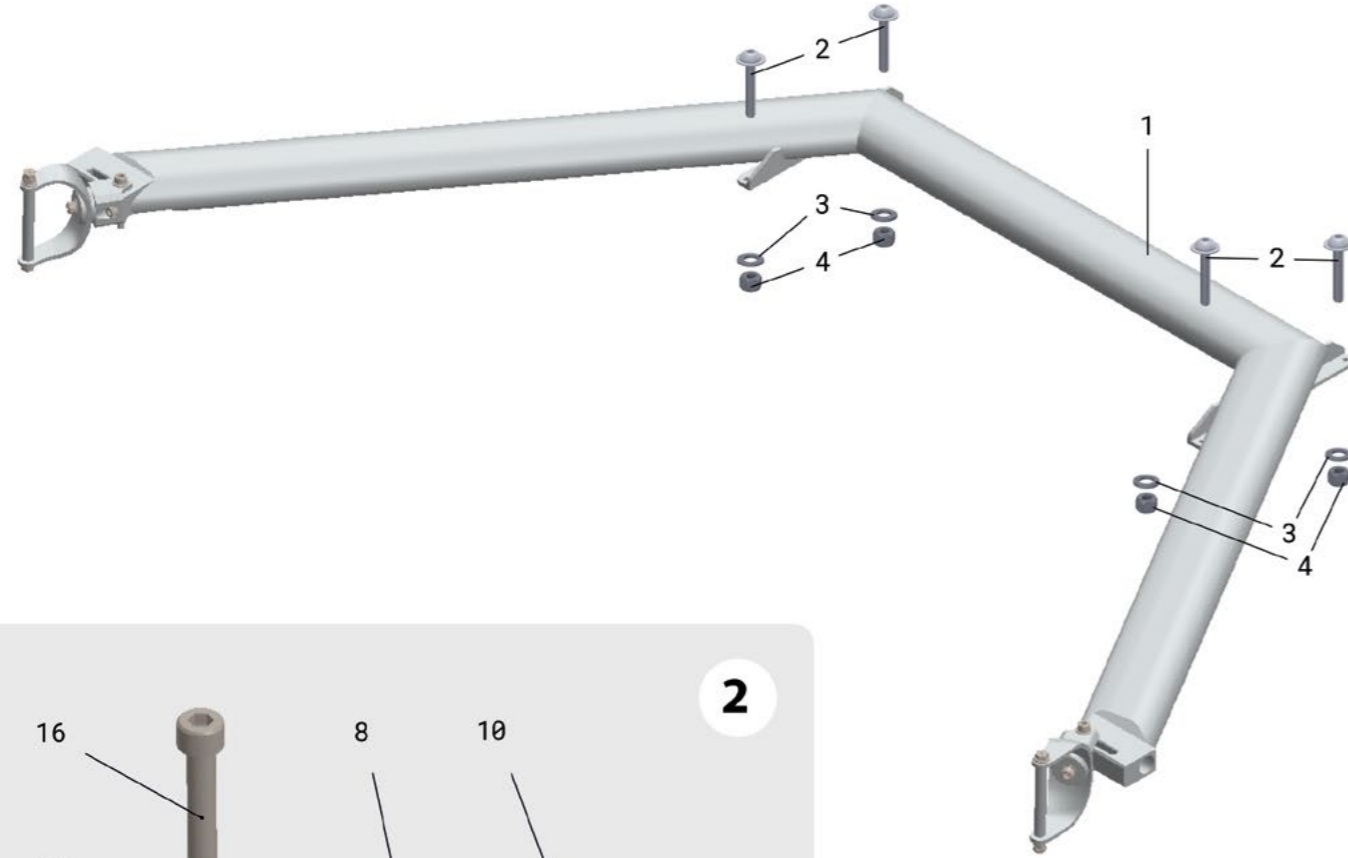
2x ADAPTIVE BOAT SEAT

N°	Code	Description
10	VACASED2XAC	Complete carbon seat for 2x Adaptive without belt
1	VACASED2XA	Carbon board for 2x Adaptive seat
2	VACATR3AD2	Drilled C shaped crossbar for 2x Adaptive
3	VACATRFSAD2	Crossbar for seat fixing on 2x Adaptive
4	AVBA4M6030	Flanged bolt M6x30 for standard steering plate fastening
6	AVD6A	Self-locking M6 nut
5	VABXA006A	Stainless steel washer 6 mm
11	VACOPFAECS32	Belt for Adaptive seat with 2 hole plates
	VACAX6000A	Anodized rails for Adaptive seat



PLEASE PROVIDE BOAT SERIAL NUMBER WHEN YOU PLACE THE ORDER

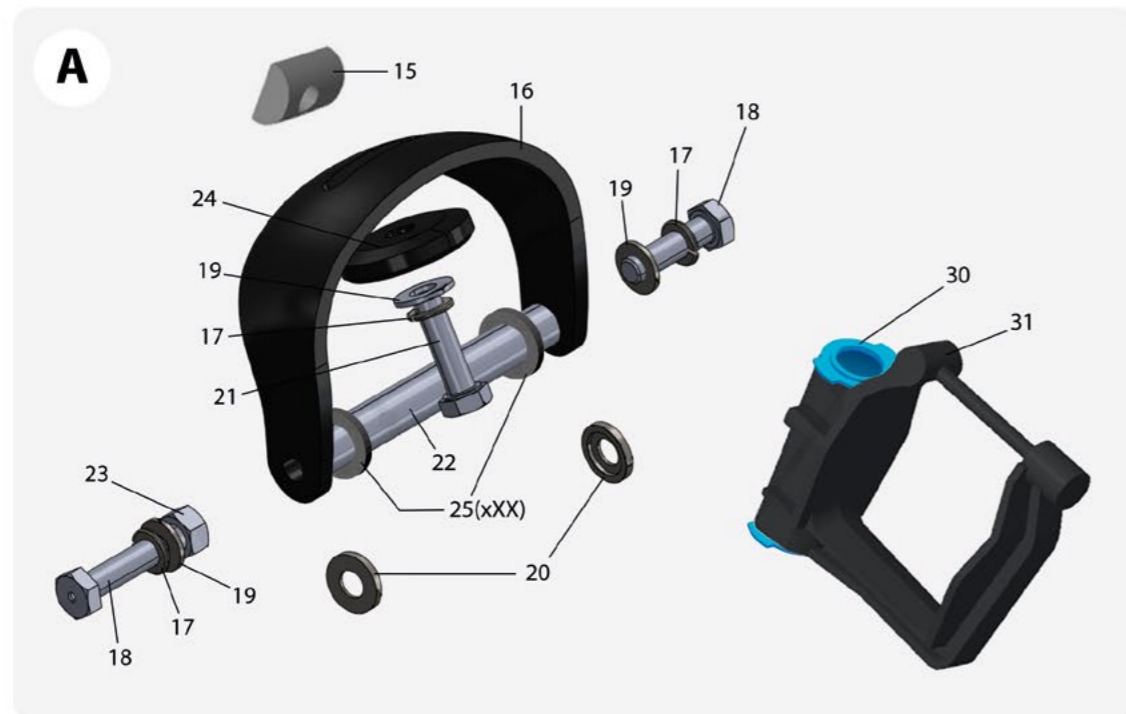
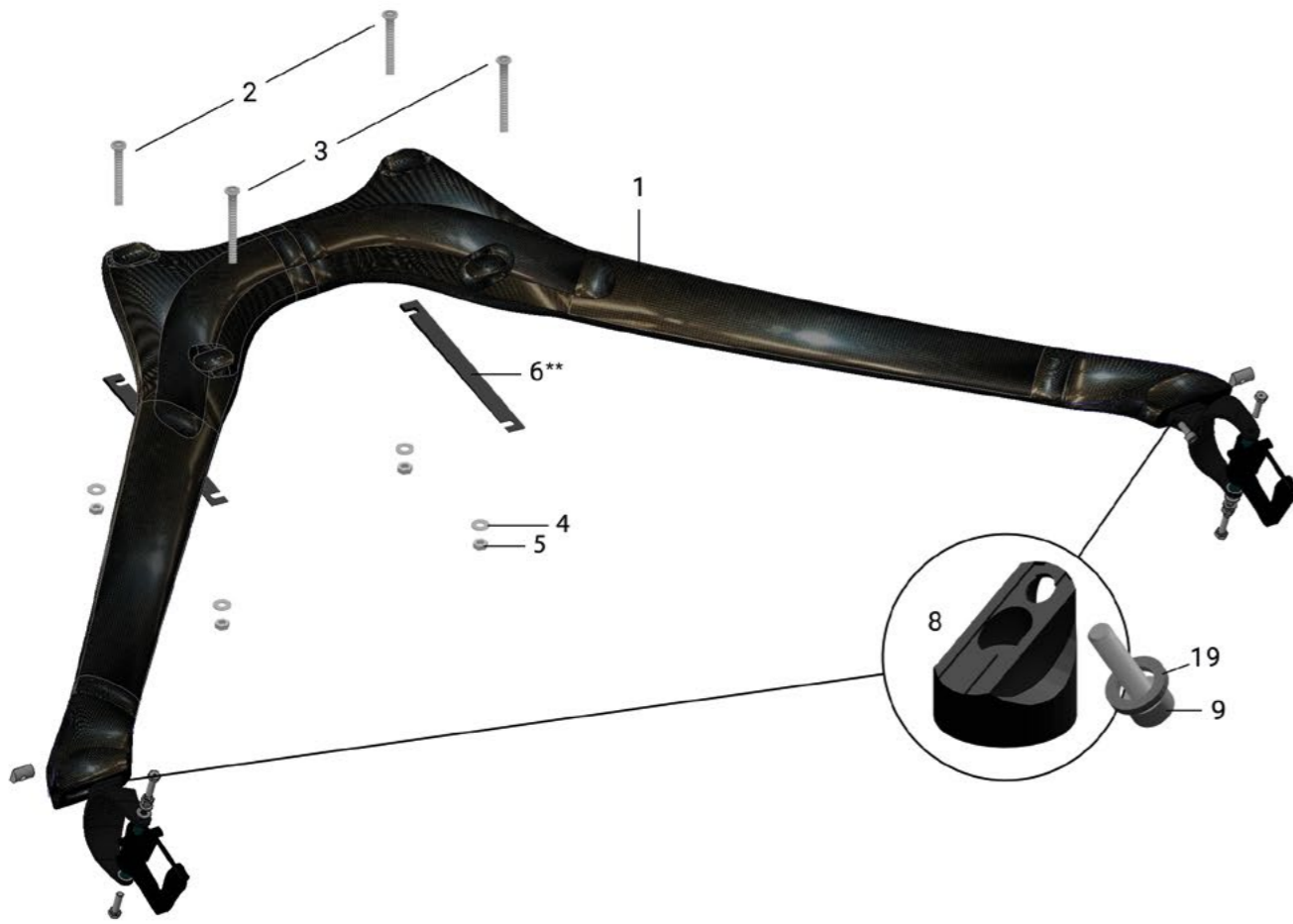
ALIANTE ALUMINIUM RIGGER FOR 1x



N°	Code	Description
	VABCALA1XCR	Scull aluminum wing rigger Aliante for 1x Coastal complete with hilts, pins and oarlocks
	VABCALA1XCRSC	Scull aluminium wing rigger Aliante for 1x Coastal complete with hilts and pins, without oarlocks
1	VABCALA1XCRSS	Scull aluminium wing rigger Aliante for 1x Coastal , frame only
8	VABXAL010	Aluminium hilt without pin and oarlock for Aliante rigger
8+9	VABXAL015	Aluminium hilt with pin, without oarlock for Aliante rigger
8+9+18	VABXAL020	Aluminum hilt with pin and oarlock for Aliante rigger
17	VABXF31CR	Aluminium hilt holder for Coastal rowing (after Dec 2021)
17	VABXALA040CR	Aluminium hilt holder for Coastal rowing (before Dec 2021)
16	AVB8050	8 x 50 cylindrical allen head bolt
5	VABXXGL8E	8mm worked washer for hilt
6	AVD8	Stainless steel nut M8
7	AVV6GR	8 x 25 grub screw
9	VABXMC045	Hilt stainless steel pin
10	AVB830ES	M8 x 30 center bolt
11	VABXXA008A	Stainless steel flat washer 8 mm
12	VABXMC105	Large aluminium washer for hilt blocking
13	AVBA48035	Hex head screw M8 x 35
14	AVD8A	Stainless steel self-locking 8 mm nut
15	VABXXM010	Black washer for oarlock height adjustment
19	VABCXC0474	Universal bushing for Concept II scull oarlock art. 474
18	VABCXC005	Concept 2 scull nylon oarlock
2	AVV6030A	M6 x 30 cylindrical socket head screw
3	VABXXA618A	Stainless steel wide band washer 6 x 18
4	AVDESAG	Hex nut M6

PLEASE PROVIDE BOAT SERIAL NUMBER WHEN YOU PLACE THE ORDER

ALIANTE CARBON RIGGER FOR 1x



N°	Code	Description
	VABCALC300	* Scull carbon wing rigger Aliante complete with hilts, pins and oarlocks
	VABCALC310	* Scull carbon wing rigger Aliante complete with hilts and pins, without oarlocks
	VACOPEAL11	Cover for scull carbon wing rigger Aliante
1	VABCALC315	*Scull carbon wing rigger Aliante, frame only
2	AVBAMM608704	M6 x 70 stainless steel flanged button head screw
3	AVBAMM60804	M6 x 80 stainless steel flanged button head screw
4	VABXA006A	Stainless steel washer 6 mm
5	AVDESAG	Hex nut M6
6	VABCXTAAP	Wedge for height regulation - 20cm
8	VABXALA041	Aluminium hilt holder for scull carbon wing rigger Aliante
9	AVV8020C	M8 x 20 cylindrical socket head screw
HILT SECTION		
15	VABXALA031	Crescent-shaped nut for scull carbon wing rigger Aliante
16	VABXAL010L	Aluminium light hilt without pin and oarlock for Aliante rigger
16+22	VABXAL015L	Aluminium light hilt with pin, without oarlock for Aliante rigger
16+22+31	VABXAL020L	Aluminium light hilt with pin and oarlock for Aliante rigger
17	VABXXGL8	8mm grower washer
18	AVB830ES	M8 x 30 center bolt
19	VABXA008A	Stainless steel flat washer 8 mm
20	VABXXGL8E	8mm worked washer for hilt
21	AVBA48035	Hex head screw M8 x 35
22	VABXMC045L	7075 light alloy anodized pin for hilt
23	AVD8	Stainless steel nut M8
24	VABXMC105	Large aluminium washer for hilt blocking
25	VABXXM010	Black washer for oarlock height adjustment
30	VABCXC0474	Universal bushing for Concept II scull oarlock art. 474
31	VABCXC005	Concept 2 scull nylon oarlock
HILT, PIN AND OARLOCK BEFORE FEB 2022		
16	VABXAL010	Aluminium hilt without pin and oarlock for Aliante rigger (before Feb 2022)
16+22	VABXAL015	Aluminium hilt with pin, without oarlock for Aliante rigger (before Feb 2022)
16+22+31	VABXAL020	Aluminium hilt with pin and oarlock for Aliante rigger (before Feb 2022)
22	VABXMC045	7075 light alloy anodized pin for hilt (before Feb 2022)

* Provide the serial number of the boat and the FISA seat position
 ** Optional

PLEASE PROVIDE BOAT SERIAL NUMBER WHEN YOU PLACE THE ORDER

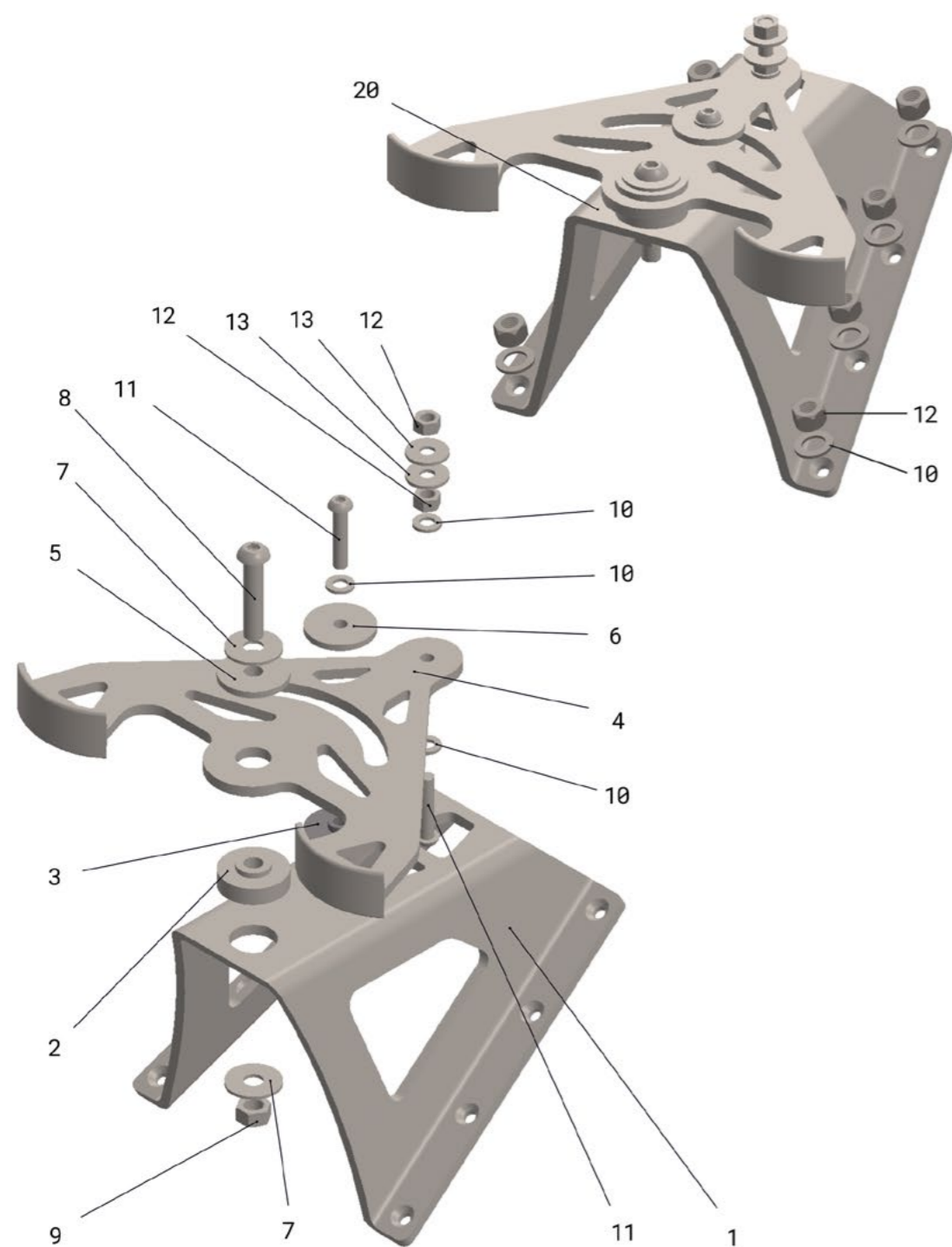


N°	Code	Description
	VABCWACR4	* Scull aluminium wing rigger Aliante for 2x Coastal complete with hilt, pin and oarlock
2	VABCWACR3	* Scull aluminium wing rigger Aliante for 2x Coastal complete with hilt and pin, without oarlock
1	VABCWACR2	* Scull aluminium wing rigger Aliante for 2x Coastal , frame only
	VABCWACR7	* Scull aluminium wing rigger Aliante for 4x+ Coastal complete with hilt, pin and oarlock
2	VABCWACR6	* Scull aluminium wing rigger Aliante for 4x+ Coastal complete with hilt and pin, without oarlock
1	VABCWACR8	* Scull aluminium wing rigger Aliante for 4x+ Coastal , frame only
8	VABXMC010	Aluminium hilt, without pin and oarlock
8+9	VABXAL015	Aluminium hilt complete with pin, without oarlock
8+9+21	VABXAL020	Aluminium hilt complete with pin and oarlock
3	VABXF31CR	Aluminium hilt holder for Coastal rowing (after Dec 2021)
3	VABXALA040CR	Aluminium hilt holder for Coastal rowing (before Dec 2021)
4	AVB8050	8 x 50 cylindrical allen head bolt
5	VABXXGL8E	8mm worked washer for hilt
6	AVD8	Stainless steel nut M8
7	AVV6GR	8 X 25 grub screw
9	VABXMC045	Hilt stainless steel pin
10	AVB830ES	M8 x 30 center bolt
11	VABXXA008A	Stainless steel flat washer 8 mm
12	VABXMC105	Large aluminium washer for hilt blocking
13	AVBA48035	Hex head screw M8 x 35
14	AVD8A	Stainless steel self-locking 8 mm nut
15	VABXXM010	Black washer for oarlock height adjustment
20	VABCXC0474	Universal bushing for Concept II scull oarlock art. 474
21	VABCXC005	Concept 2 scull nylon oarlock
18	AVV6030A	M6 x 30 cylindrical socket head screw
16	VABXXA618A	Stainless steel wide band washer 6 x 18
17	AVDESAG	Hex nut M6

* Provide the serial number of the boat and the FISA seat position

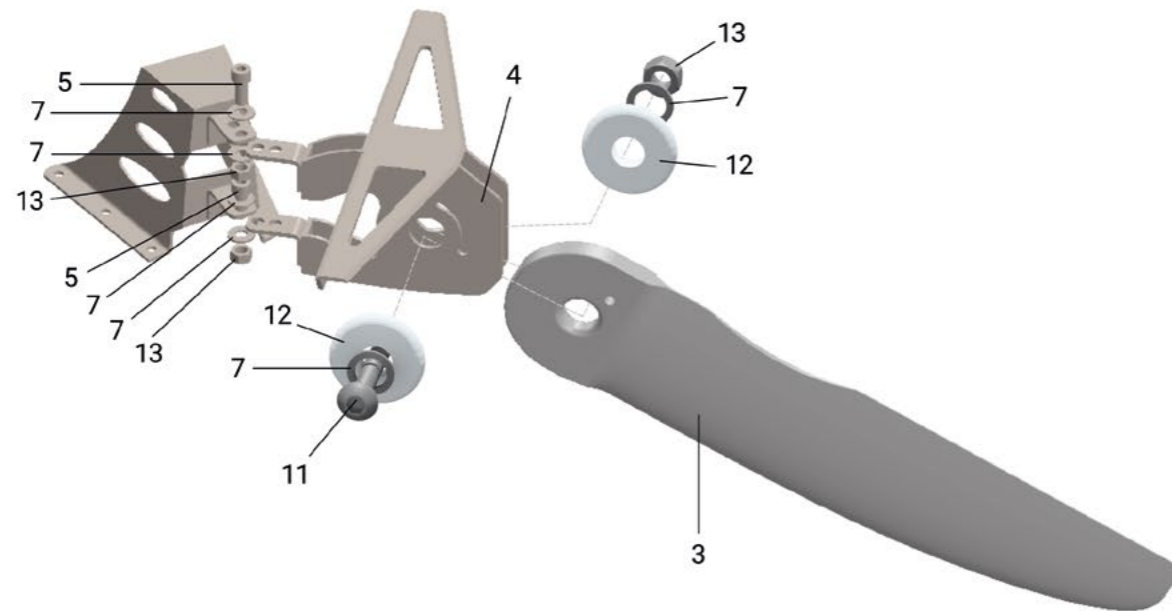
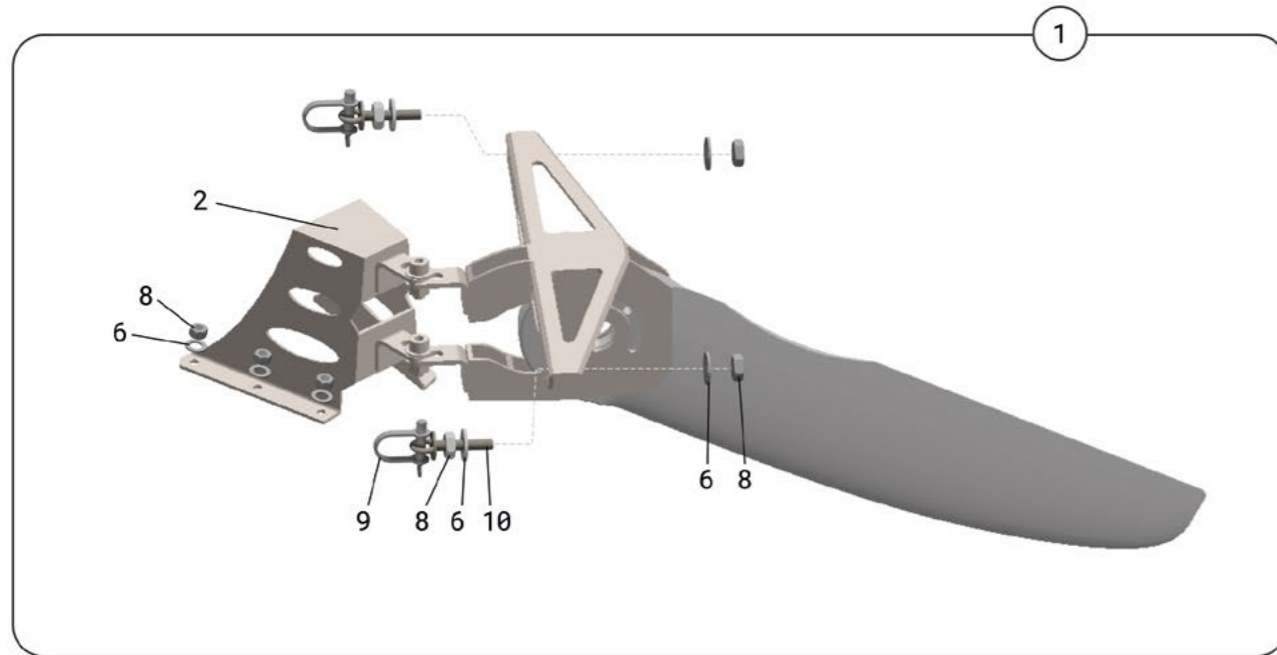
PLEASE PROVIDE BOAT SERIAL NUMBER WHEN YOU PLACE THE ORDER

STEERING COMPONENTS ON COASTAL 4x+



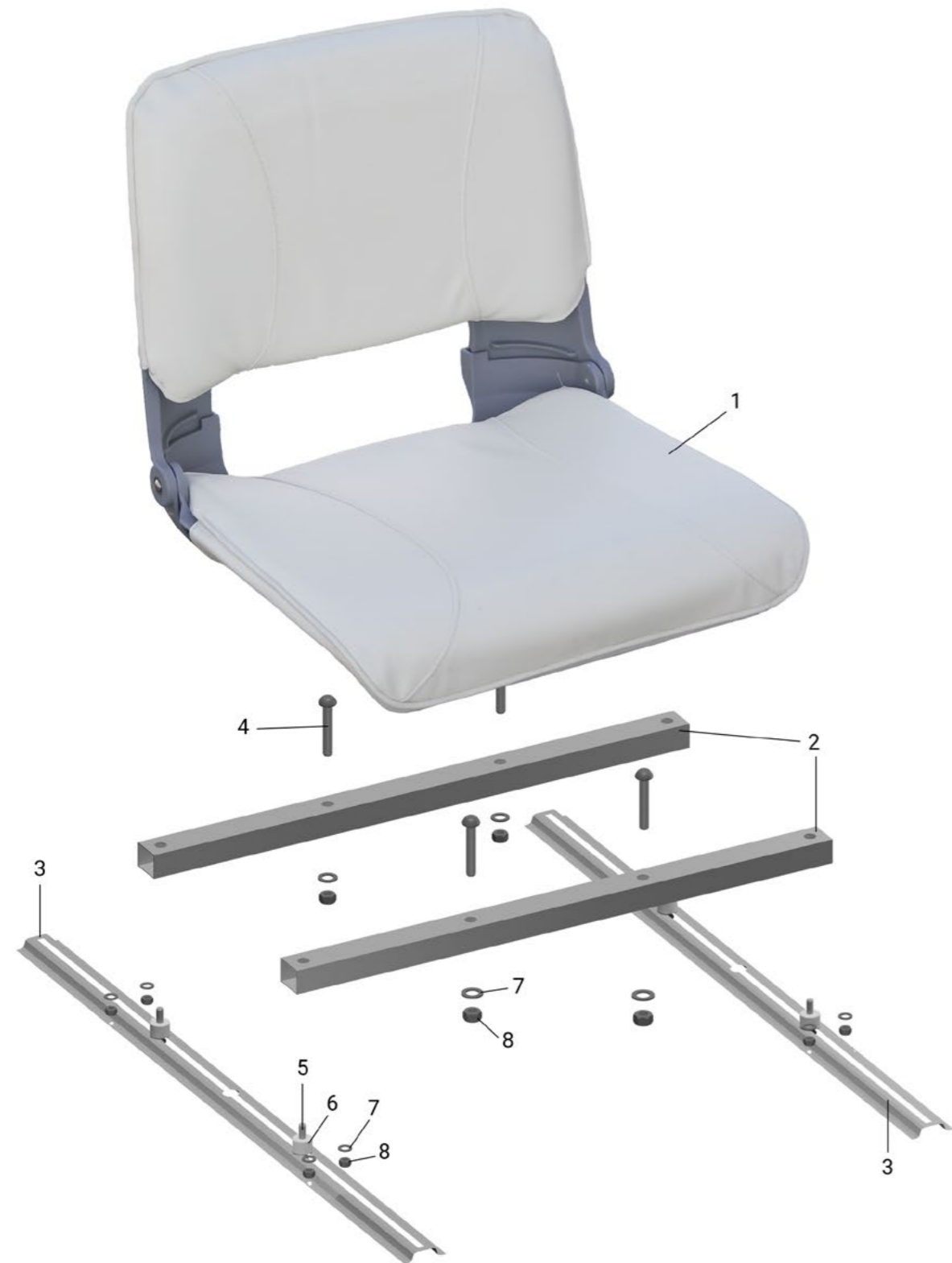
N°	Code	Description
1	VACAT0PE4CR	Turret for 4x+ stretcher
2	VACABPS48CR	Lower pom 8 mm bushing for Coastal 4x+ stretcher
3	VACABPS46CR	Lower pom 6 mm bushing for Coastal 4x+ stretcher
4	VACAPP4CR	Plate for Coastal 4x+ stretcher
5	VACAB48CR	Upper pom 8 mm bushing for Coastal 4x+ stretcher
6	VACAB46CR	Upper pom 6 mm bushing for Coastal 4x+ stretcher
7	VABXXA824	Stainless steel washer 8 x 24 wide band
8	AVB8035	Hex head allen bolt M8 x 35
9	AVD8A	Stainless steel self-locking 8 mm nut
10	VABXXA006A	Stainless steel washer 6 mm
11	AVB620TTBR	Round button head bolt 6 X 20
12	AVDESAG	Hex nut M6
13	VABXXA618A	Stainless steel wide band washer 6 x 18
20	VIAAKP4CR	Kit for Coastal 4x+ stretcher

PLEASE PROVIDE BOAT SERIAL NUMBER WHEN YOU PLACE THE ORDER



N°	Code	Description
2	VIAATTCR	Turret shaped rudder holder for Coastal 4x+
4	VIAAPTCR	Rudder holder for Coastal 4x+
3	AASTAV0C8	Rudder for Coastal 4x+
5	AVB8035	Hex head allen bolt M8 x 35
7	VABXXA008A	Stainless steel flat washer 8 mm
13	AVD8A	Stainless steel self-locking 8 mm nut
1	VIAAKT4CR	Complete rudder kit for Coastal 4x+
	VAVASC06406B	Blue rope (6 mm) for coastal rowing boat
	VAVASCT10	Stainless steel cable-diameter 1,5 mm (per meter)
11	AVB8040CR	8X40 socket head bolt for 4 coastal rudder fixing
9	VAVASCT13	Stainless shackle for rudder bar
10	AVB640TCR	6X40 eyelet bolt
8	AVDESAG	Hex nut M6
6	VABXXA006A	Stainless steel washer 6 mm
12	VABB8CR	Plastic bushing for rudder fixing on Coastal 4x+

PLEASE PROVIDE BOAT SERIAL NUMBER WHEN YOU PLACE THE ORDER



N°	Code	Description
1	VAVASP4CR	White folding seat for Coastal 4x+ coxswain seat
2	VABTRSTCR	Aluminium crossbar for coxswain seat fixing on Coastal 4x+
3	VABOMETCR	Stainless steel omega profile for coxswain seat fixing on Coastal 4x+
4	AVV640TSCR	6 x 40 countersunk allen head screw for seat crossbar fixing
5	AVB650CTCR	6 X 50 bolt with square base and round head
6	VABSPSCR	Cylindrical wedge for round head bolt on Coastal 4x+ coxswain seat
7	VABXA006A	Stainless steel washer 6 mm
8	AVDESAG	Hex nut M6

PLEASE PROVIDE BOAT SERIAL NUMBER WHEN YOU PLACE THE ORDER

Filippi

 www.filippiboats.com

 info@filippiboats.com

 +39 0565 777311