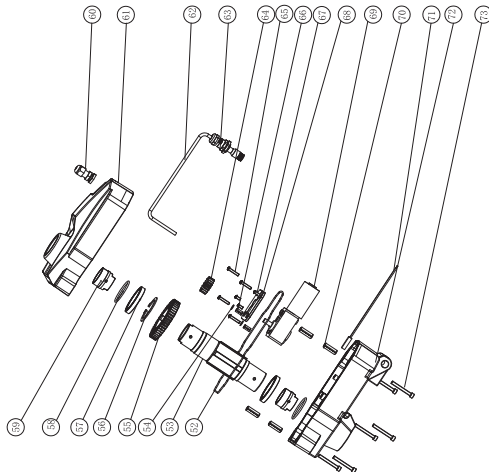
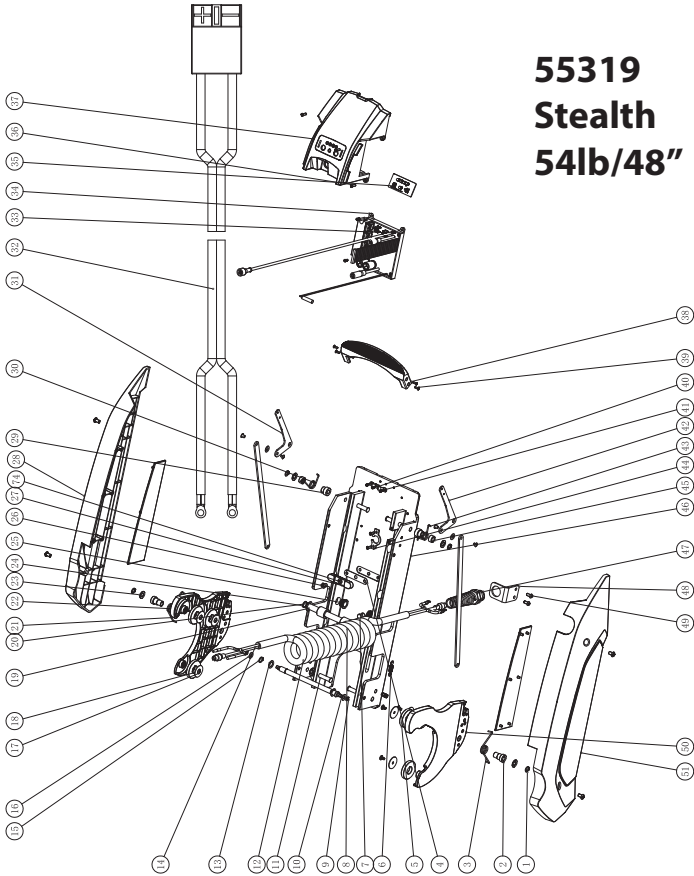


# SCHEMATICS AND PARTS LIST

**55319**  
**Stealth**  
**54lb/48"**



# 55319 Stealth 54lb/48"

TO ORDER  
YOUR WATERSNAKE  
STEALTH PARTS, VISIT:  
[www.anglerscentral.com.au](http://www.anglerscentral.com.au)

## PART NO.

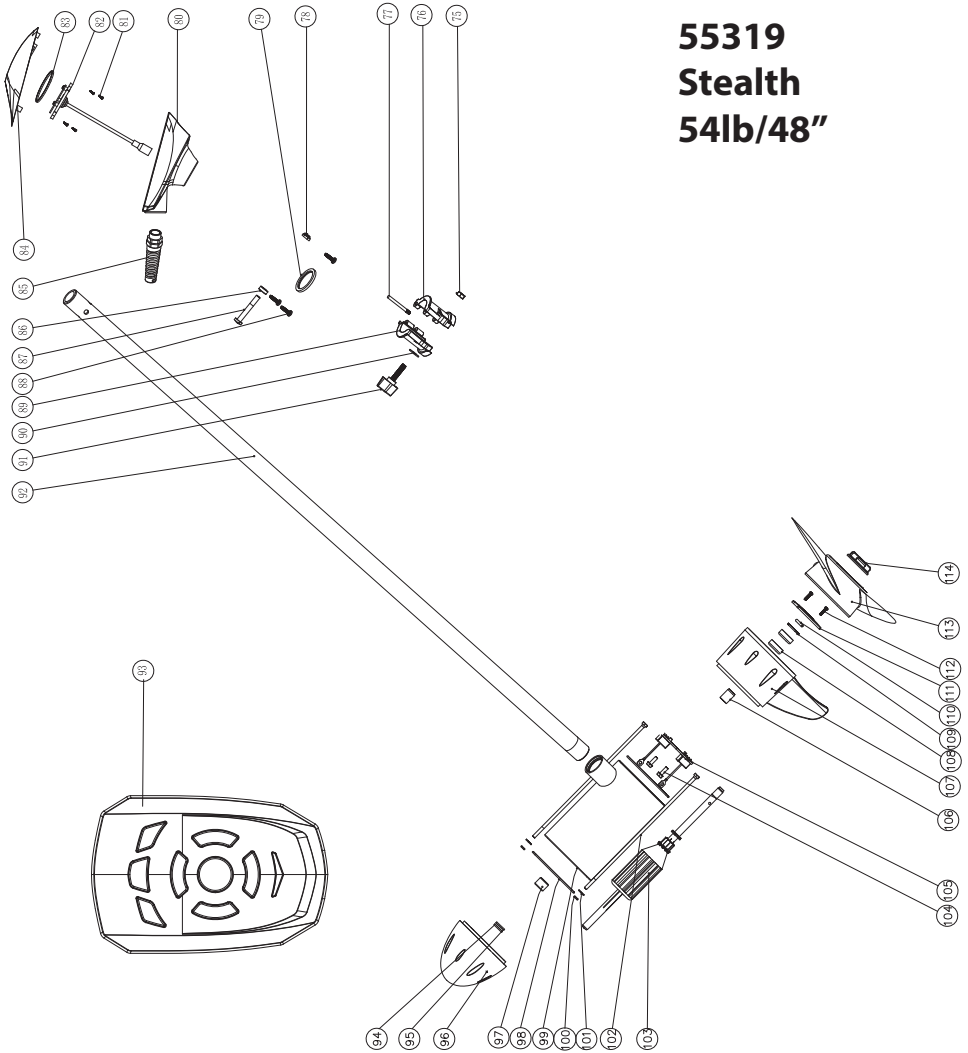
51	HP6. 176. 033. 005	Right side panel assembly	1
50	HP6. 154. 021. 000	Right movable plate assembly	1
49	HP8. 902. 198. 00	Screw	2
48	HP8. 611. 221. 000	Fixed frame	1
47	HP8. 354. 019. 000	Cable gland	1
46	HP8. 601. 093. 024	Bottom plate	1
45	HP8. 223. 124. 000	bushing 3	2
44	HP8. 667. 044. 000	Securing clip	1
43	HP8. 383. 127. 00	Left torsion spring	1
42	HP6. 201. 047. 000	Right link assembly	1
41	HP8. 902. 017. 00	screw	3
40	HP8. 610. 193. 00	Pressure plate	1
39	HP8. 902. 201. 45	Screw M3X8	4
38	HP8. 335. 002. 000	pedal	1
37	HP8. 010. 146. 080	The front cover	1
36	HP8. 902. 193. 45	Screw	6
35	HP6. 672. 113. 000	Display board assembly	1
34	HP6. 702. 140. 000	Drive controller	1
33	HP8. 902. 024. 00	Screw	3
32	HP6. 647. 252. 000	Power cord assembly	1
31	HP6. 201. 046. 000	Left link assembly	1
30	HP8. 383. 128. 00	Right twist	1
29	HP8. 211. 022. 000	Crank sleeve	2
28	HP6. 176. 032. 005	Left panel assembly	1
27	HP8. 683. 041. 00	Elastic cushion	1
26	HP8. 902. 384. 00	Screw	4
25	HP8. 211. 004. 000	Nested	2
24	HP8. 247. 192. 000	Elastic retaining ring for shaft	2
23	HP8. 941. 373. 000	washer	6
22	HP6. 154. 020. 000	Left movable plate assembly	1
21	HP8. 383. 218. 000	Left-handed torsion spring	1
20	HP8. 941. 306. 000	Gasket	2
19	HP8. 303. 043. 000	Axis of rotation	1
18	HP8. 940. 871. 000	Was	6
17	HP8. 903. 219. 000	Screw	6
16	HP8. 940. 056. 00	Transmission gear washers	2
15	HP8. 247. 190. 000	Elastic retaining ring for shaft	2
14	HP6. 647. 290. 000	Spiral component ②	1
13	HP8. 940. 625. 00	Flat Washers	2
12	HP8. 264. 820. 000	Cylindrical pin	2
11	HP8. 264. 819. 000	pin⑧	4
10	HP8. 306. 129. 000	axis	1
9	HP8. 247. 191. 000	Elastic retaining ring for shaft	2
8	HP8. 223. 123. 000	bushing 2	2
7	HP8. 530. 119. 006	magnetic steel	1
6	HP8. 381. 059. 000	Tension spring	2
5	HP8. 245. 214. 000	Brushed damping wheel	6
4	HP8. 941. 178. 00	Gasket	1
3	HP8. 383. 219. 000	Right-handed torsion spring	1
2	HP8. 220. 494. 000	Positioning sleeve	2
1	HP8. 247. 172. 000	Circlip	4
NO.	DRAWING NO.	PART NAME	QTY

## PART NO.

74	HP8. 902. 559. 000	Screw	1
73	HP8. 902. 544. 000	Screw	6
72	HP8. 010. 150. 231	Steering box lower cover	1
71	HP7. 330. 024. 000	Proximity switch	1
70	HP8. 264. 817. 000	Elastic cylindrical pin⑧	4
69	HP6. 714. 030. 000	Steering motor	1
68	HP8. 610. 424. 024	Fixed plate	1
67	HP8. 902. 256. 00	Screw	3
66	HP8. 264. 818. 000	Elastic cylindrical pin①6	2
65	HP8. 902. 199. 45	Screw	4
64	HP8. 435. 797. 000	gear	1
63	HP8. 354. 032. 000	Waterproof connector	1
62	HP6. 647. 286. 000	4-core assembly	1
61	HP8. 010. 151. 231	Steering box upper cover	1
60	HP6. 428. 024. 000	Waterproof connector	1
59	HP8. 210. 450. 00	bushing	2
58	HP8. 662. 145. 000	O-ring	2
57	HP6. 263. 067. 02	Bearing	2
56	HP8. 247. 193. 000	Circlip for shaft	1
55	HP8. 415. 193. 00	gear	1
54	HP8. 940. 673. 00	Flat Washers	2
53	HP8. 211. 005. 027	casing	1
52	HP8. 662. 175. 000	O-ring	1

# SCHEMATICS AND PARTS LIST

**55319  
Stealth  
54lb/48"**



**55319  
Stealth  
54lb/48"**

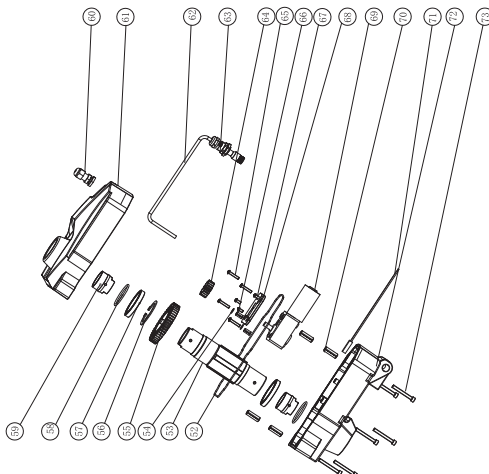
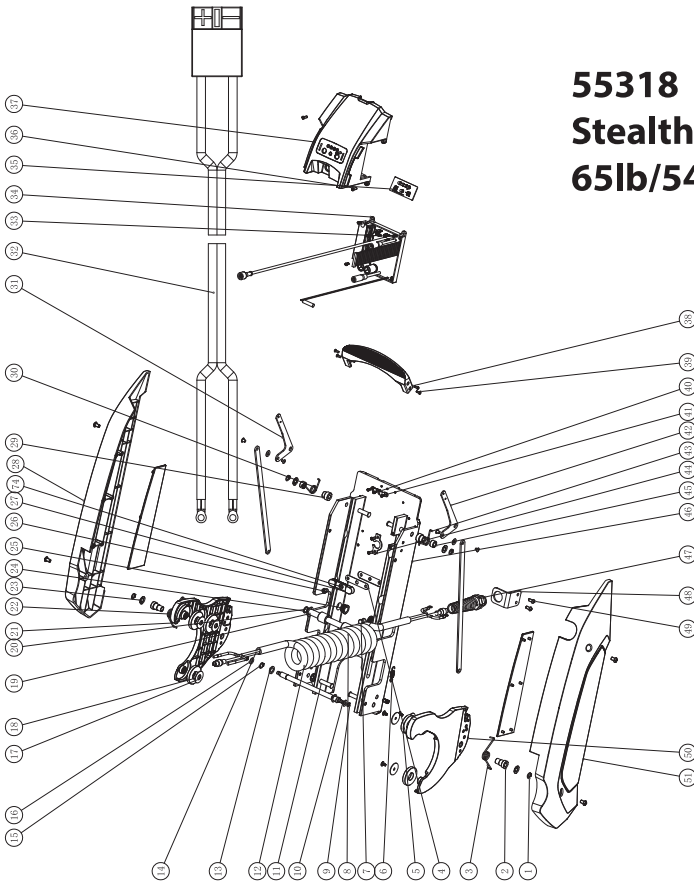
**PART NO.**

114	HP6.482.001.00	prop nut	1
113	HP6.393.001.000	prop	1
112	HP8.903.187.000	screw	2
111	HP7.690.001.00	sacrificial anode	1
110	HP8.264.157.00	pin	1
109	HP8.683.049.45	retainer ring	1
108	HP6.475.000.00	sealing ring	2
107	HP8.010.002.231	front cover	1
106	HP8.251.000.00	oil bearing	1
105	HP6.670.114.000	brush frame assy	1
104	HP8.903.060.07	bolt	2
103	HP6.656.004.001	rotor assy	1
102	HP8.926.018.00	connecting screw rod	2
101	HP8.610.049.00	hexagonal washer	2
100	HP8.662.015.00	mini O-sealing ring	2
99	HP6.652.012.003	stator assy	1
98	HP8.662.016.000	o-sealing ring	2
97	HP8.251.001.00	oil bearing	1
96	HP8.010.003.231	back cover	1
95	HP8.940.309.000	washer	1
94	HP8.940.310.000	washer	1
93	HP6.789.009.000	remote controller	1
92	HP6.657.153.999	shaft	1
91	HP6.480.014.00	bolt	1
90	HP8.940.313.00	washer	1
89	HP8.242.153.00	right body of depth adjustment collar	1
88	HP8.903.059.00	screw	3
87	HP8.926.045.00	bolt	1
86	HP8.220.378.70	bushing	1
85	HP8.354.019.000	cable fixing head	1
84	HP8.076.443.080	top cover	1
83	HP8.683.181.000	sealing ring	1
82	HP6.702.144.000	drive controller	1
81	HP8.093.022.000	screw	4
80	HP8.076.444.080	bottom cover	1
79	HP8.662.083.00	sealing ring	1
78	HP6.482.000.00	lock nut	1
77	HP8.264.468.00	pin	1
76	HP8.242.152.00	left body of depth adjustment collar	1
75	HP8.379.073.00	nut	1
No.	DRAWING NO.	PART NAME	Q'TY

**TO ORDER  
YOUR WATERSNAKE  
STEALTH PARTS, VISIT:  
www.anglerscentral.com.au**

# SCHEMATICS AND PARTS LIST

**55318  
Stealth  
65lb/54"**



# 55318 Stealth 65lb/54"

TO ORDER  
YOUR WATERSNAKE  
STEALTH PARTS, VISIT:  
[www.anglerscentral.com.au](http://www.anglerscentral.com.au)

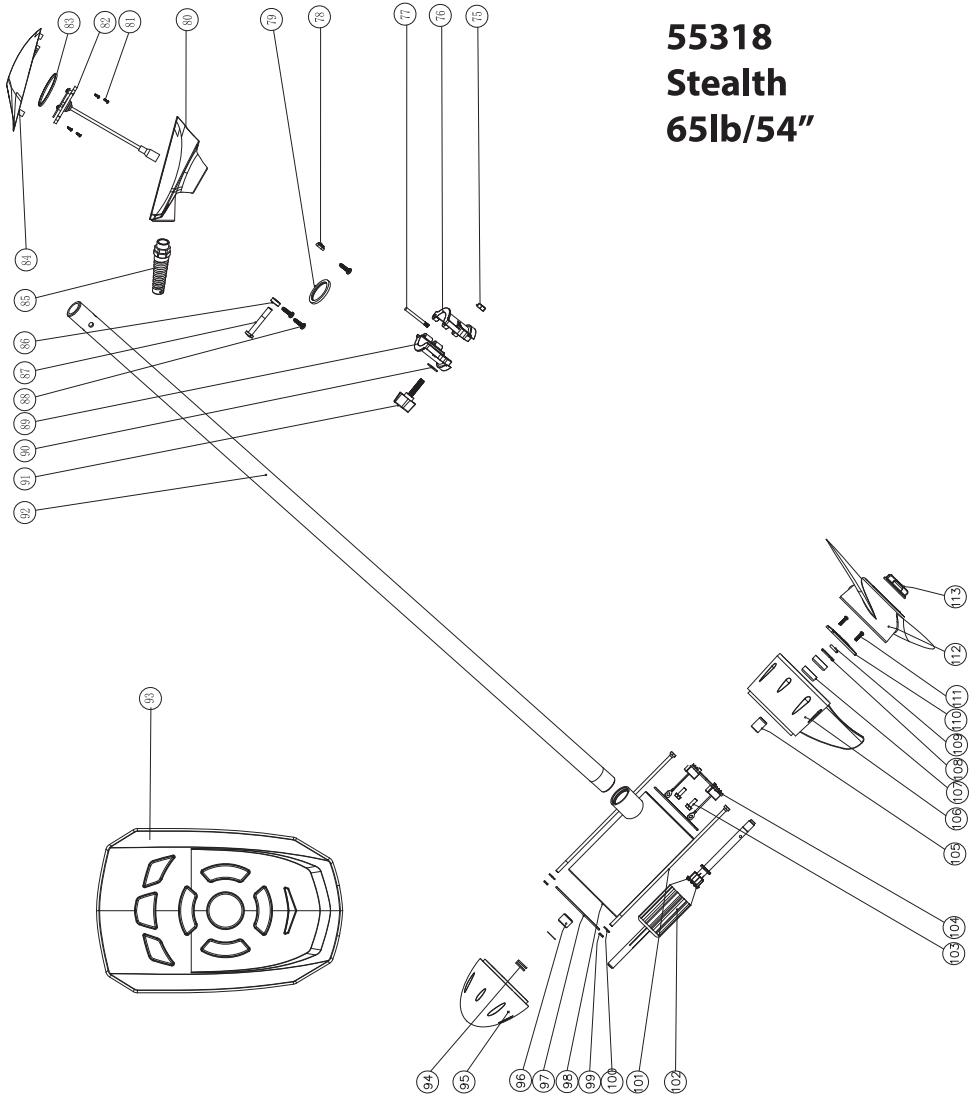
PART NO.				PART NO.			
74	HP8. 902. 559. 000	Screw	1	22	HP6. 154. 020. 000	Right movable plate assembly	1
73	HP8. 902. 544. 000	Screw	6	21	HP8. 383. 218. 000	Left-handed torsion spring	1
72	HP8. 010. 150. 231	Steering box lower cover	1	20	HP8. 941. 306. 000	Gasket	2
71	HP7. 330. 024. 000	Proximity switch	1	19	HP8. 303. 043. 000	Axis of rotation	1
70	HP8. 264. 817. 000	Elastic cylindrical pin⊙8	4	18	HP8. 940. 871. 000	Was	6
69	HP6. 714. 030. 000	Steering motor	1	17	HP8. 903. 219. 000	Screw	6
68	HP8. 610. 424. 024	Fixed plate	1	16	HP8. 940. 056. 00	Transmission gear washers	2
67	HP8. 902. 256. 00	Screw	3	15	HP8. 247. 190. 000	Elastic retaining ring for shaft	2
66	HP8. 264. 818. 000	Elastic cylindrical pin⊙6	2	14	HP6. 647. 290. 000	Spiral component ②	1
65	HP8. 902. 199. 45	Screw	4	13	HP8. 940. 625. 00	Flat Washers	2
64	HP8. 435. 797. 000	gear	1	12	HP8. 264. 820. 000	Cylindrical pin	2
63	HP8. 354. 032. 000	Waterproof connector	1	11	HP8. 264. 819. 000	pin⊙8	4
62	HP6. 647. 286. 000	4-core assembly	1	10	HP8. 306. 129. 000	axis	1
61	HP8. 010. 151. 231	Steering box upper cover	1	9	HP8. 247. 191. 000	Elastic retaining ring for shaft	2
60	HP6. 428. 024. 000	Waterproof connector	1	8	HP8. 223. 123. 000	bushing 2	2
59	HP8. 210. 450. 00	bushing	2	7	HP8. 530. 119. 006	magnetic steel	1
58	HP8. 662. 145. 000	O-ring	2	6	HP8. 381. 059. 000	Tension spring	2
57	HP6. 263. 067. 02	Bearing	2	5	HP8. 245. 214. 000	Brushed damping wheel	6
56	HP8. 247. 193. 000	Circlip for shaft	1	4	HP8. 941. 178. 00	Gasket	1
55	HP8. 415. 193. 00	gear	1	3	HP8. 383. 219. 000	Right-handed torsion spring	1
54	HP8. 940. 673. 00	Flat Washers	2	2	HP8. 220. 494. 000	Positioning sleeve	2
53	HP8. 211. 005. 027	casing	1	1	HP8. 247. 172. 000	Circlip	4
52	HP8. 662. 175. 000	O-ring	1	NO.	DRAWING NO.	PART NAME	QTY

## PART NO.

51	HP6. 176. 033. 005	Right side panel assembly	1
50	HP6. 154. 021. 000	Right movable plate assembly	1
49	HP8. 902. 198. 00	Screw	2
48	HP8. 611. 221. 000	Fixed frame	1
47	HP8. 354. 019. 000	Cable gland	1
46	HP8. 601. 093. 024	Bottom plate	1
45	HP8. 223. 124. 000	bushing 3	2
44	HP8. 667. 044. 000	Securing clip	1
43	HP8. 383. 127. 00	Left torsion spring	1
42	HP6. 201. 047. 000	Right link assembly	1
41	HP8. 902. 017. 00	screw	3
40	HP8. 610. 193. 00	Pressure plate	1
39	HP8. 902. 201. 45	Screw M3X8	4
38	HP8. 335. 002. 000	pedal	1
37	HP8. 010. 146. 080	The front cover	1
36	HP8. 902. 193. 45	Screw	6
35	HP6. 672. 113. 000	Display board assembly	1
34	HP6. 702. 140. 000	Drive controller	1
33	HP8. 902. 024. 00	Screw	3
32	HP6. 647. 252. 000	Power cord assembly	1
31	HP6. 201. 046. 000	Left link assembly	1
30	HP8. 383. 128. 00	Right twist	1
29	HP8. 211. 022. 000	Crank sleeve	2
28	HP6. 176. 032. 005	Left panel assembly	1
27	HP8. 683. 041. 00	Elastic cushion	1
26	HP8. 902. 384. 00	Screw	4
25	HP8. 211. 004. 000	Nested	2
24	HP8. 247. 192. 000	Elastic retaining ring for shaft	2
23	HP8. 941. 373. 000	washer	6
22	HP6. 154. 020. 000	Right movable plate assembly	1
21	HP8. 383. 218. 000	Left-handed torsion spring	1
20	HP8. 941. 306. 000	Gasket	2
19	HP8. 303. 043. 000	Axis of rotation	1
18	HP8. 940. 871. 000	Was	6
17	HP8. 903. 219. 000	Screw	6
16	HP8. 940. 056. 00	Transmission gear washers	2
15	HP8. 247. 190. 000	Elastic retaining ring for shaft	2
14	HP6. 647. 290. 000	Spiral component ②	1
13	HP8. 940. 625. 00	Flat Washers	2
12	HP8. 264. 820. 000	Cylindrical pin	2
11	HP8. 264. 819. 000	pin⊙8	4
10	HP8. 306. 129. 000	axis	1
9	HP8. 247. 191. 000	Elastic retaining ring for shaft	2
8	HP8. 223. 123. 000	bushing 2	2
7	HP8. 530. 119. 006	magnetic steel	1
6	HP8. 381. 059. 000	Tension spring	2
5	HP8. 245. 214. 000	Brushed damping wheel	6
4	HP8. 941. 178. 00	Gasket	1
3	HP8. 383. 219. 000	Right-handed torsion spring	1
2	HP8. 220. 494. 000	Positioning sleeve	2
1	HP8. 247. 172. 000	Circlip	4
NO.	DRAWING NO.	PART NAME	QTY

# SCHEMATICS AND PARTS LIST

**55318  
Stealth  
65lb/54"**



**55318  
Stealth  
65lb/54"**

**TO ORDER  
YOUR WATERSNAKE  
STEALTH PARTS, VISIT:**

[www.anglerscentral.com.au](http://www.anglerscentral.com.au)

**PART NO.**

113	HP6.482.001.00	prop nut	1
112	HP6.393.001.8000	prop	1
111	HP8.903.187.000	screw	2
110	HP7.690.001.00	sacrificial anode	1
109	HP8.264.157.00	pin	1
108	HP8.683.049.45	retainer ring	1
107	HP6.475.000.00	sealing ring	2
106	HP8.010.070.231	front cover	1
105	HP8.251.000.00	oil bearing	1
104	HP6.670.095.000	brush frame assy	1
103	HP8.903.060.07	bolt	2
102	HP6.656.022.000	rotor assy	1
101	HP8.926.018.00	connecting screw rod	2
100	HP8.610.049.00	hexagonal washer	2
99	HP8.662.015.00	mini O-sealing ring	2
98	HP6.652.015.004	stator assy	1
97	HP8.662.016.00	o-sealing ring	2
96	HP8.251.001.00	oil bearing	1
95	HP8.010.071.231	back cover	1
94	HP6.260.000.00	thrust bearing	1
93	HP6.789.009.000	remote controller	1
92	HP6.657.154.999	shaft	1
91	HP6.480.014.00	bolt	1
90	HP8.940.313.00	washer	1
89	HP8.242.153.00	right body of depth adjustment collar	1
88	HP8.903.059.00	screw	3
87	HP8.926.045.00	bolt	1
86	HP8.220.378.70	bushing	1
85	HP8.354.019.000	cable fixing head	1
84	HP8.076.443.080	top cover	1
83	HP8.683.181.000	sealing ring	1
82	HP6.702.144.000	drive controller	1
81	HP8.093.022.000	screw	4
80	HP8.076.444.080	bottom cover	1
79	HP8.662.083.00	sealing ring	1
78	HP6.482.000.00	lock nut	1
77	HP8.264.468.00	pin	1
76	HP8.242.152.00	left body of depth adjustment collar	1
75	HP8.379.073.00	nut	1
No.	DRAWING NO.	PART NAME	Q'TY



# WATERSNAKE®

## CONTACT INFORMATION

Full and up to date contact information can be found at:

[www.watersnake.com.au](http://www.watersnake.com.au)

REGION/COUNTRY	DISTRIBUTOR	PHONE
<b>Asia Pacific</b>		
Australia	Watersnake	+61 3 8789 7949
New Zealand	Brittain Wynyard	+64 9 306 7200
South Korea	Plady Co.	+82 10 9894 9938
<b>USA</b>		
USA	Innovative Procurement, LLC	+1 573 346 7447
USA	Sea Eagle Boats Inc.	+1 631 791-1799
<b>Africa</b>		
South Africa	Apex Walker	+27 11 4621 302
<b>Europe</b>		
Italy	Europesca Sport	+39 06 6500 2449
Sweden	Wiggler AB	+46 303 798 744
United Kingdom	Dennet Outdoor	+44 0 2871 38 3033

### Spare Parts:

Anglers Central Service Centre

To order spare parts online visit:

[www.anglerscentral.com.au](http://www.anglerscentral.com.au)

Shipping Internationally

[www.watersnake.com.au](http://www.watersnake.com.au)

Watersnake Distribution Pty. Ltd.  
297-305 South Gippsland Highway  
Dandenong South, Victoria 3175 Australia  
ACN: 143 230 175

Watersnake® and Jarvis Marine® are registered trademarks of Watersnake Distribution Pty. Ltd.

© Watersnake Distribution Pty. Ltd. All Rights Reserved.  
Specifications are subject to change without notice.