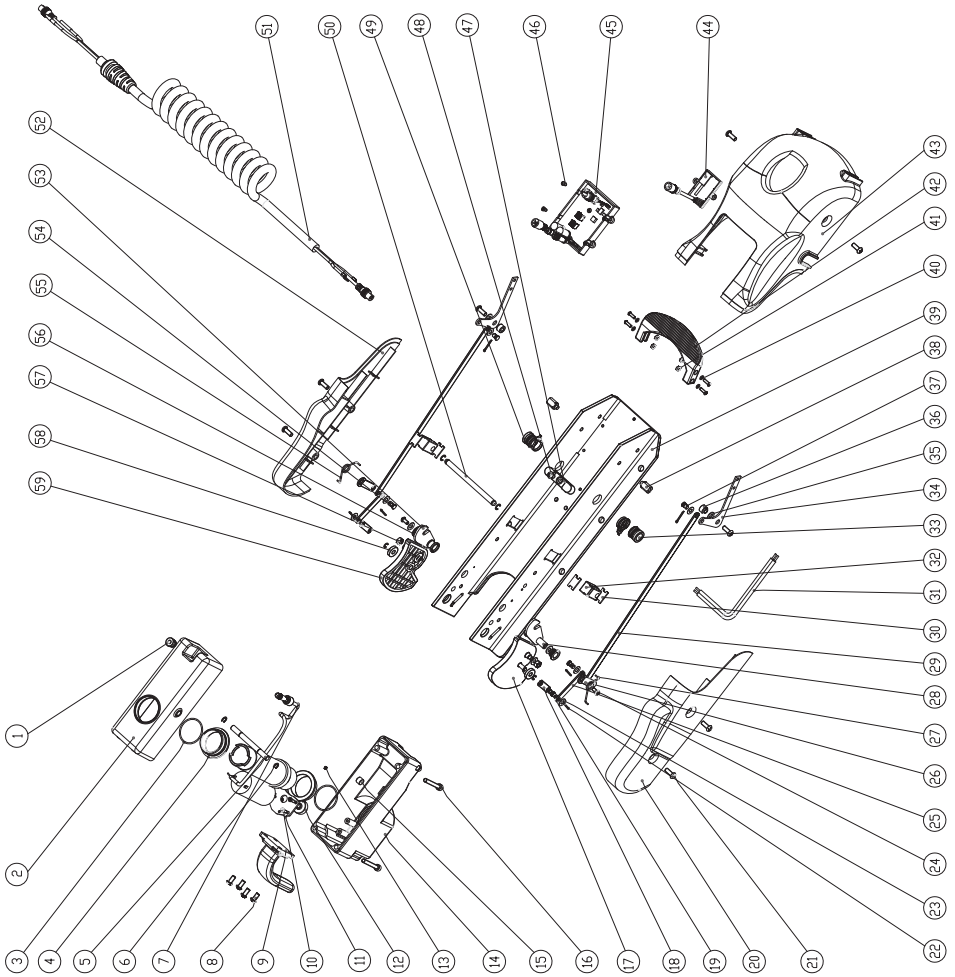


# SCHEMATICS AND PARTS LIST



**55276**  
**Fierce 2**  
**54/48"**

# SCHEMATICS AND PARTS LIST

TO ORDER  
YOUR WATERSNAKE  
FIERCE 2 PARTS, VISIT:

[www.anglerscentral.com.au](http://www.anglerscentral.com.au)

## PART NO.

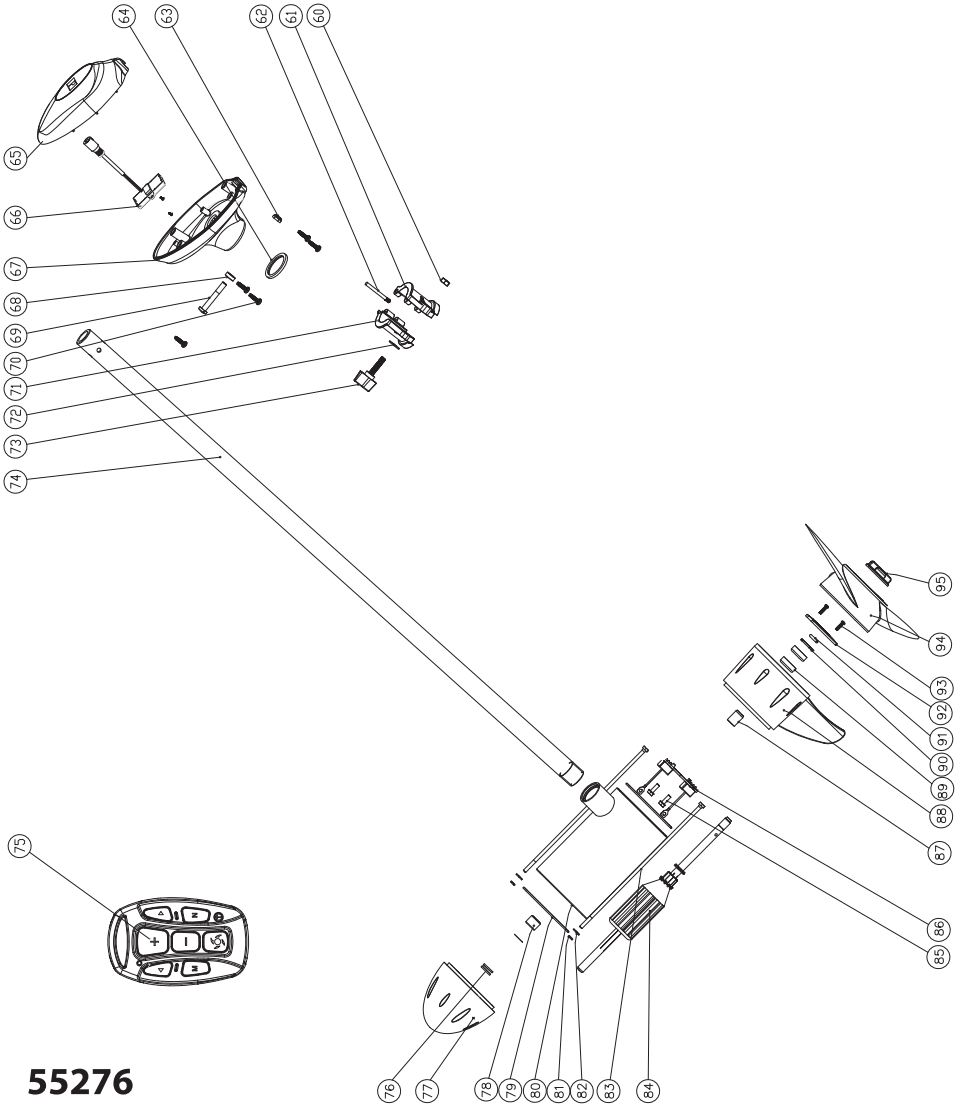
No.	DRAWING No.	PART NAME	Q'TY
31	HP6.647.202.00	power line	1
30	HP8.610.082.45	cushion pad baffle	4
29	HP8.350.020.00	drag link	2
28	HP6.201.033.00	right connecting rod pin assembly	1
27	HP8.383.110.00	right hand torsional spring	1
26	HP8.350.018.00	link	2
25	HP8.350.019.00	The secondary bar	2
24	HP8.902.198.00	screw	2
23	HP8.940.056.00	spring washer	6
22	HP8.264.569.000	split pin	6
21	HP8.902.196.00	screw	8
20	HP8.634.063.070	right side plate	1
19	HP8.264.480.000	The secondary pin	2
18	HP8.530.017.00	The push rod	1
17	HP6.154.002.00	Right movable board assembly	1
16	HP8.902.194.45	screw	4
15	HP8.530.064.06	alnico	1
14	HP8.010.006.158	bottom cover of turning box	1
13	HP8.904.087.16	Hexagon socket flat end set screws	1
12	HP8.415.168.000	pinion	1
11	HP8.902.025.00	screw	3
10	HP8.902.193.000	screw	8
9	HP8.621.027.00	The handle	1
8	HP8.902.195.00	screw	4
7	HP6.647.201.000	two core wire assy	1
6	HP8.245.079.45	C-retaining ring	2
5	HP8.264.329.45	The gusset plate pin	1
4	HP8.210.335.00	Locating sleeve	2
3	HP8.662.063.00	sealing ring	2
2	HP8.010.005.158	top cover of turning box	1
1	HP8.210.332.00	wire protecting sleeve	1

## PART NO.

59	HP6.154.001.00	left side plate	1
58	HP8.220.244.00	socket	2
57	HP8.379.053.00	nut M6	2
56	HP8.210.529.00	nested	2
55	HP8.383.109.00	left hand torsional spring	1
54	HP8.264.482.00	link pin	2
53	HP6.201.032.00	left connecting rod pin assembly	1
52	HP8.634.062.00	left side plate	1
51	HP6.647.312.00	wire assy	1
50	HP8.303.022.00	axis of rotation	1
49	HP8.210.333.00	wire protecting sleeve	1
48	HP8.902.384.00	screw	1
47	HP8.683.041.00	Elastic cushion block	1
46	HP8.902.256.00	screw	4
45	HP6.702.152.000	drive controller	1
44	HP6.702.116.000	receiver	1
43	HP8.076.028.070	front cover	1
42	HP8.335.000.00	footplate	1
41	HP8.306.071.00	nut M4	4
40	HP8.940.268.00	spring washer	4
39	HP8.601.049.024	bottom plate	1
38	HP8.264.484.000	shaft pin	2
37	HP8.264.479.00	stay rod pin	2
36	HP8.210.336.000	crank shaft sleeve	8
35	HP8.940.091.00	spring washer	6
34	HP8.350.021.00	crank	2
33	HP8.210.334.00	wire protecting sleeve	1
32	HP8.683.042.00	cushion rubber	2

**55276**  
**Fierce 2**  
**54/48"**

# SCHEMATICS AND PARTS LIST



**55276**  
**Fierce 2**  
**54/48"**

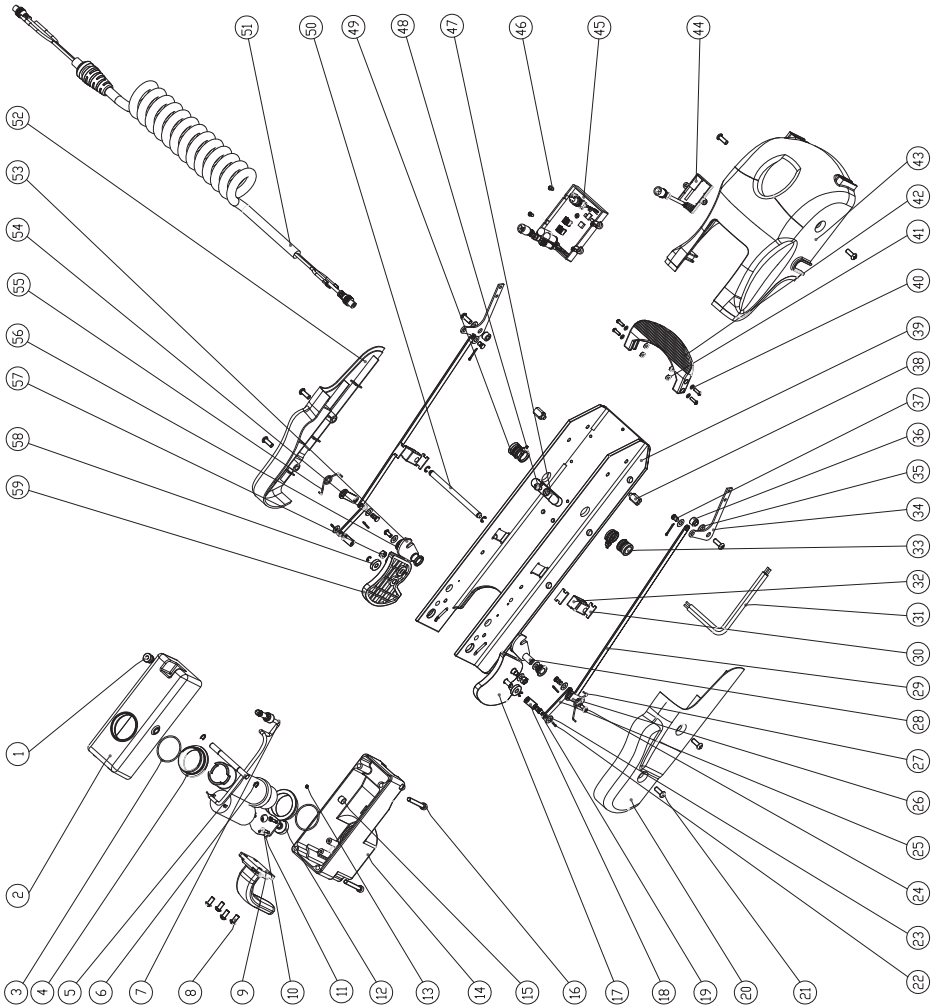
# SCHEMATICS AND PARTS LIST

**TO ORDER  
YOUR WATERSNAKE  
FIERCE 2 PARTS, VISIT:  
www.anglerscentral.com.au**

<b>PART NO.</b>			
<b>No.</b>	<b>DRAWING NO.</b>	<b>PART NAME</b>	<b>Q'TY</b>
95	HP6.482.001.00	prop nut	1
94	HP6.393.001.000	prop	1
93	HP8.903.187.000	screw	2
92	HP7.690.001.00	sacrificial anode	1
91	HP8.264.157.00	pin	1
90	HP8.683.049.45	retainer ring	1
89	HP6.475.000.00	sealing ring	2
88	HP8.010.002.158	front cover	1
87	HP8.251.000.00	oil bearing	1
86	HP6.670.114.000	brush frame assy	1
85	HP8.903.060.07	bolt	2
84	HP6.656.004.00	rotor assy	1
83	HP8.926.018.00	connecting screw rod	2
82	HP8.610.049.00	hexagonal washer	2
81	HP8.662.015.00	mini O-sealing ring	2
80	HP6.652.001.01	stator assy	1
79	HP8.662.016.00	o-sealing ring	2
78	HP8.251.001.00	oil bearing	1
77	HP8.010.003.158	back cover	1
76	HP6.260.000.00	thrust bearing	1
75	HP6.789.011.000	remote controller	1
74	HP6.657.155.999	shaft	1
73	HP6.480.014.00	bolt	1
72	HP8.940.313.00	washer	1
71	HP8.242.153.00	right body of depth adjustment collar	1
70	HP8.903.056.00	screw	4
69	HP8.926.045.00	bolt	1
68	HP8.220.378.70	bushing	1
67	HP8.076.456.070	bottom cover	1
66	HP6.331.051.000	voltage indicator	1
65	HP8.076.172.070	top cover	1
64	HP8.662.083.00	sealing ring	1
63	HP6.482.000.00	lock nut	1
62	HP8.264.468.00	pin	1
61	HP8.242.152.00	left body of depth adjustment collar	1
60	HP8.379.073.00	nut	1
<b>No.</b>	<b>DRAWING NO.</b>	<b>PART NAME</b>	<b>Q'TY</b>

**55276  
Fierce 2  
54/48"**

# SCHEMATICS AND PARTS LIST



**55277**  
**Fierce 2**  
**65/54"**

# SCHEMATICS AND PARTS LIST

TO ORDER  
YOUR WATERSNAKE  
FIERCE 2 PARTS, VISIT:

[www.anglerscentral.com.au](http://www.anglerscentral.com.au)

## PART NO.

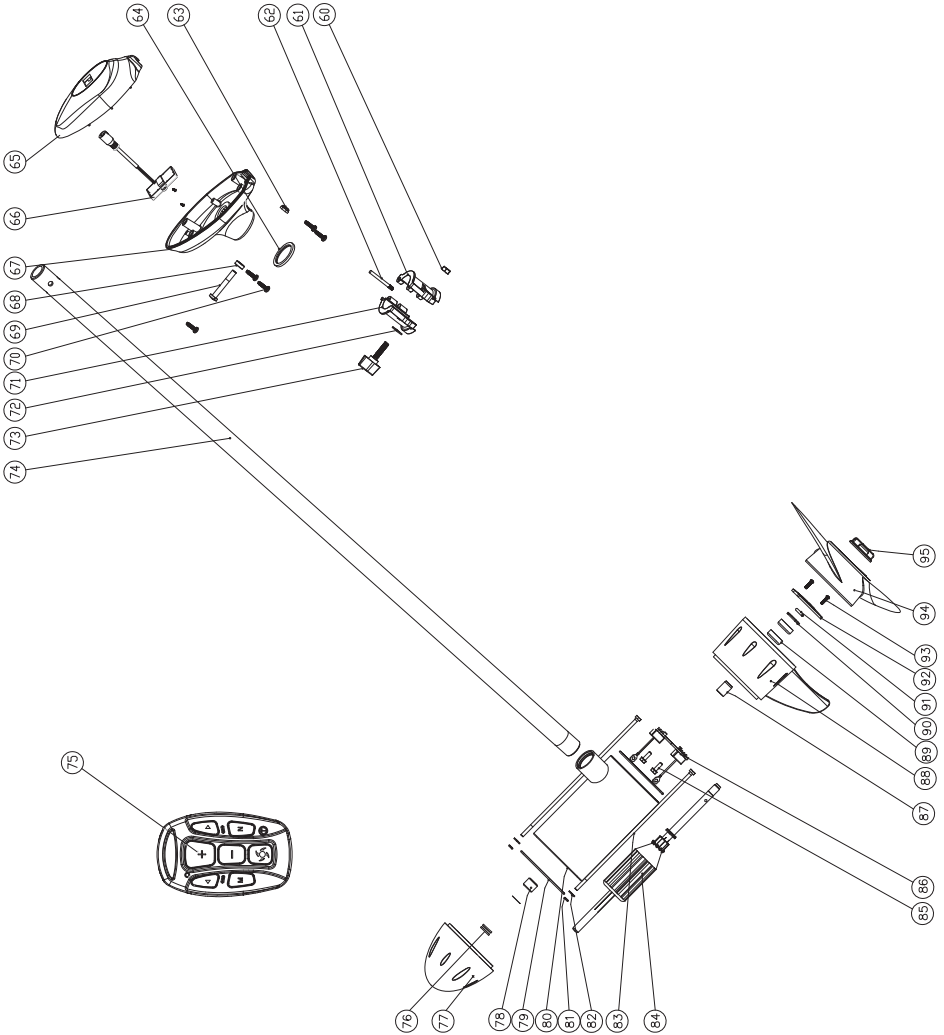
31	HP6.647.202.00	power line	1
30	HP8.610.082.45	cushion pad baffle	4
29	HP8.350.020.00	drag link	2
28	HP6.201.033.00	right connecting rod pin assembly	1
27	HP8.383.110.00	right hand torsional spring	1
26	HP8.350.018.00	link	2
25	HP8.350.019.00	The secondary bar	2
24	HP8.902.198.00	screw	2
23	HP8.940.056.00	spring washer	6
22	HP8.264.569.000	split pin	6
21	HP8.902.196.00	screw	8
20	HP8.634.063.070	right side plate	1
19	HP8.264.480.000	The secondary pin	2
18	HP8.530.017.00	The push rod	1
17	HP6.154.002.00	Right movable board assembly	1
16	HP8.902.194.45	screw	4
15	HP8.530.064.06	alnico	1
14	HP8.010.006.158	bottom cover of turning box	1
13	HP8.904.087.16	Hexagon socket flat end set screws	1
12	HP8.415.168.000	pinion	1
11	HP8.902.025.00	screw	3
10	HP8.902.193.000	screw	8
9	HP8.621.027.00	The handle	1
8	HP8.902.195.00	screw	4
7	HP6.647.201.000	two core wire assy	1
6	HP8.245.079.45	C-retaining ring	2
5	HP8.264.329.45	The gusset plate pin	1
4	HP8.210.335.00	Locating sleeve	2
3	HP8.662.063.00	sealing ring	2
2	HP8.010.005.158	top cover of turning box	1
1	HP8.210.332.00	wire protecting sleeve	1
No.	DRAWING No.	PART NAME	Q'TY

## PART NO.

59	HP6.154.001.00	left side plate	1
58	HP8.220.244.00	socket	2
57	HP8.379.053.00	nut M6	2
56	HP8.210.529.00	nested	2
55	HP8.383.109.00	left hand torsional spring	1
54	HP8.264.482.00	link pin	2
53	HP6.201.032.00	left connecting rod pin assembly	1
52	HP8.634.062.00	left side plate	1
51	HP6.647.312.00	wire assy	1
50	HP8.303.022.00	axis of rotation	1
49	HP8.210.333.00	wire protecting sleeve	1
48	HP8.902.384.00	screw	1
47	HP8.683.041.00	Elastic cushion block	1
46	HP8.902.256.00	screw	4
45	HP6.702.152.000	drive controller	1
44	HP6.702.116.000	receiver	1
43	HP8.076.028.070	front cover	1
42	HP8.335.000.00	footplate	1
41	HP8.306.071.00	nut M4	4
40	HP8.940.268.00	spring washer	4
39	HP8.601.049.024	bottom plate	1
38	HP8.264.484.000	shaft pin	2
37	HP8.264.479.00	stay rod pin	2
36	HP8.210.336.000	crank shaft sleeve	8
35	HP8.940.091.00	spring washer	6
34	HP8.350.021.00	crank	2
33	HP8.210.334.00	wire protecting sleeve	1
32	HP8 683 042 00	cushion rubber	2

**55277**  
**Fierce 2**  
**65/54"**

# SCHEMATICS AND PARTS LIST



**55277**  
**Fierce 2**  
**65/54"**

# SCHEMATICS AND PARTS LIST

**TO ORDER  
YOUR WATERSNAKE  
FIERCE 2 PARTS, VISIT:  
www.anglerscentral.com.au**

## PART NO.

95	HP6.482.001.00	prop nut	1
94	HP6.393.001.8000	prop	1
93	HP8.903.187.000	screw	2
92	HP7.690.001.00	sacrificial anode	1
91	HP8.264.157.00	pin	1
90	HP8.683.049.45	retainer ring	1
89	HP6.475.000.00	sealing ring	2
88	HP8.010.070.158	front cover	1
87	HP8.251.000.00	oil bearing	1
86	HP6.670.095.000	brush frame assy	1
85	HP8.903.060.07	bolt	2
84	HP6.656.022.00	rotor assy	1
83	HP8.926.018.00	connecting screw rod	2
82	HP8.610.049.00	hexagonal washer	2
81	HP8.662.015.00	mini O-sealing ring	2
80	HP6.652.015.02	stator assy	1
79	HP8.662.016.00	o-sealing ring	2
78	HP8.251.001.00	oil bearing	1
77	HP8.010.071.158	back cover	1
76	HP6.260.000.00	thrust bearing	1
75	HP6.789.011.000	remote controller	1
74	HP6.657.156.999	shaft	1
73	HP6.480.014.00	bolt	1
72	HP8.940.313.00	washer	1
71	HP8.242.153.00	right body of depth adjustment collar	1
70	HP8.903.056.00	screw	4
69	HP8.926.045.00	bolt	1
68	HP8.220.378.70	bushing	1
67	HP8.076.456.070	bottom cover	1
66	HP6.331.051.000	voltage indicator	1
65	HP8.076.172.070	top cover	1
64	HP8.662.083.00	sealing ring	1
63	HP6.482.000.00	lock nut	1
62	HP8.264.468.00	pin	1
61	HP8.242.152.00	left body of depth adjustment collar	1
60	HP8.379.073.00	nut	1
No.	DRAWING NO.	PART NAME	Q'TY

**55277  
Fierce 2  
65/54"**



# WATERSNAKE®

## CONTACT INFORMATION

Full and up to date contact information can be found at:

[www.watersnake.com.au](http://www.watersnake.com.au)

REGION/COUNTRY	DISTRIBUTOR	PHONE
<b>Asia Pacific</b>		
Australia	Watersnake	+61 3 8789 7949
New Zealand	Brittain Wynyard	+64 9 306 7200
South Korea	Plady Co.	+82 10 9894 9938
<b>USA</b>		
USA	Innovative Procurement, LLC	+1 573 346 7447
USA	Sea Eagle Boats Inc.	+1 631 791-1799
<b>Africa</b>		
South Africa	Apex Walker	+27 11 4621 302
<b>Europe</b>		
Italy	Europesca Sport	+39 06 6500 2449
Sweden	Wiggler AB	+46 303 798 744
United Kingdom	Dennet Outdoor	+44 0 2871 38 3033

### Spare Parts:

Anglers Central Service Centre

To order spare parts online visit:

[www.anglerscentral.com.au](http://www.anglerscentral.com.au)

Shipping Internationally

[www.watersnake.com.au](http://www.watersnake.com.au)

Watersnake Distribution Pty. Ltd.  
297-305 South Gippsland Highway  
Dandenong South, Victoria 3175 Australia  
ACN: 143 230 175

Watersnake® and Jarvis Marine® are registered trademarks of Watersnake Distribution Pty. Ltd.

© Watersnake Distribution Pty. Ltd. All Rights Reserved.  
Specifications are subject to change without notice.