



DENTIO III

Digital Panoramic and Cephalometric Imaging

DENTIO III



ALL-IN-ONE Dental X-ray System

Two in One System

- The system that integrated two X-ray device into one equipment.
- Panorama, Cephalo

Separable Cephalo system

- The Cephalo imaging system can be separated according to customer needs.

Optional detector

- Detectors are available for purchase depending on customer needs.
- Exclusive Panorama
- Panorama/ Cephalo combo

A variety of capturing function

- Capturing Panorama supports Pano, TMJ and SINUS Mode.
- Capturing Cephalo supports Lateral, PA, SMV, and Carpus mode.

Image Processing Algorithm(Image quality enhancement)

- Panorama and Cephalo provide quality images by optimized image processing algorithm and imaging filter option for taste of customer.

LCD module with Touch panel

- LCD module with touch panel enables users to manipulate the equipment quickly and easily by providing intuitive letters and graphic-user Interface.

Auxiliary laser beam

- Three laser(horizontal, vertical and canine) beams assist to make the device align with patients' teeth.

Software(User Friendly Software)

- The latest imaging tools and new features can be updated with providing on-site training service.

DICOM 3.0 compatibility(DICOM 3.0 compatible)

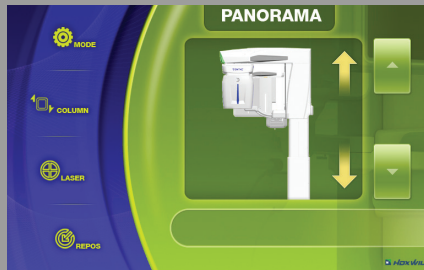
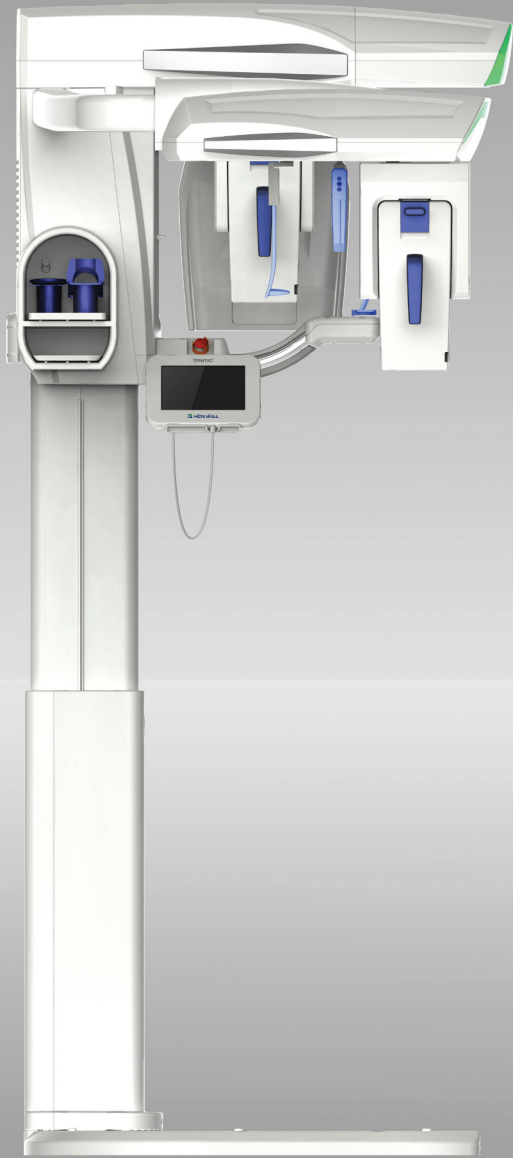
- All the data, can be transferred and searched, interface with DICOM-compatible PACS.

Parallel moving Cephalo System

- Reduce Cephalometric imaging distortion

DENTIO III

Patient Positioning



Beam Alignment

- Frankfurt beam
- Canine beam
- Vertical

Touch panel

- kV, mA Setting
- Column up/down
- Laser On/Off
- Restore default position

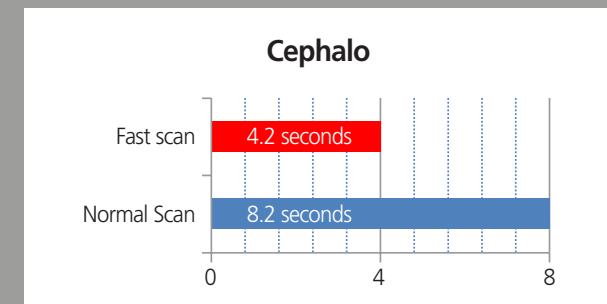
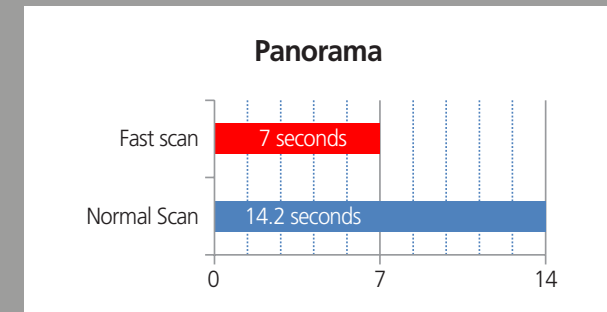
Wheelchair, Children

Cut scan time in half

Less radiation dose

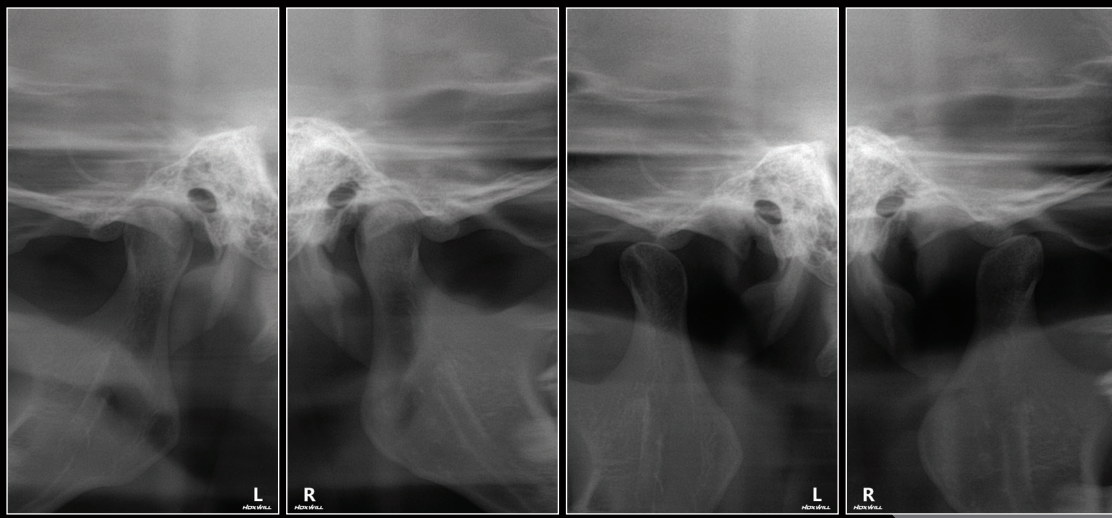
Less artifact by patient's movement

Less waiting time for patient



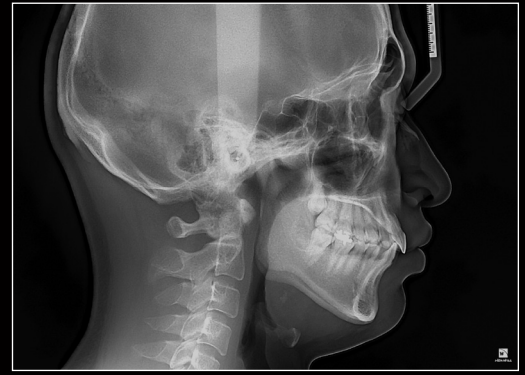
Panoramic Patient image

Standard



TMJ

Cephalometric Patient image



DENTIO III

Normal scan: 14.2 seconds

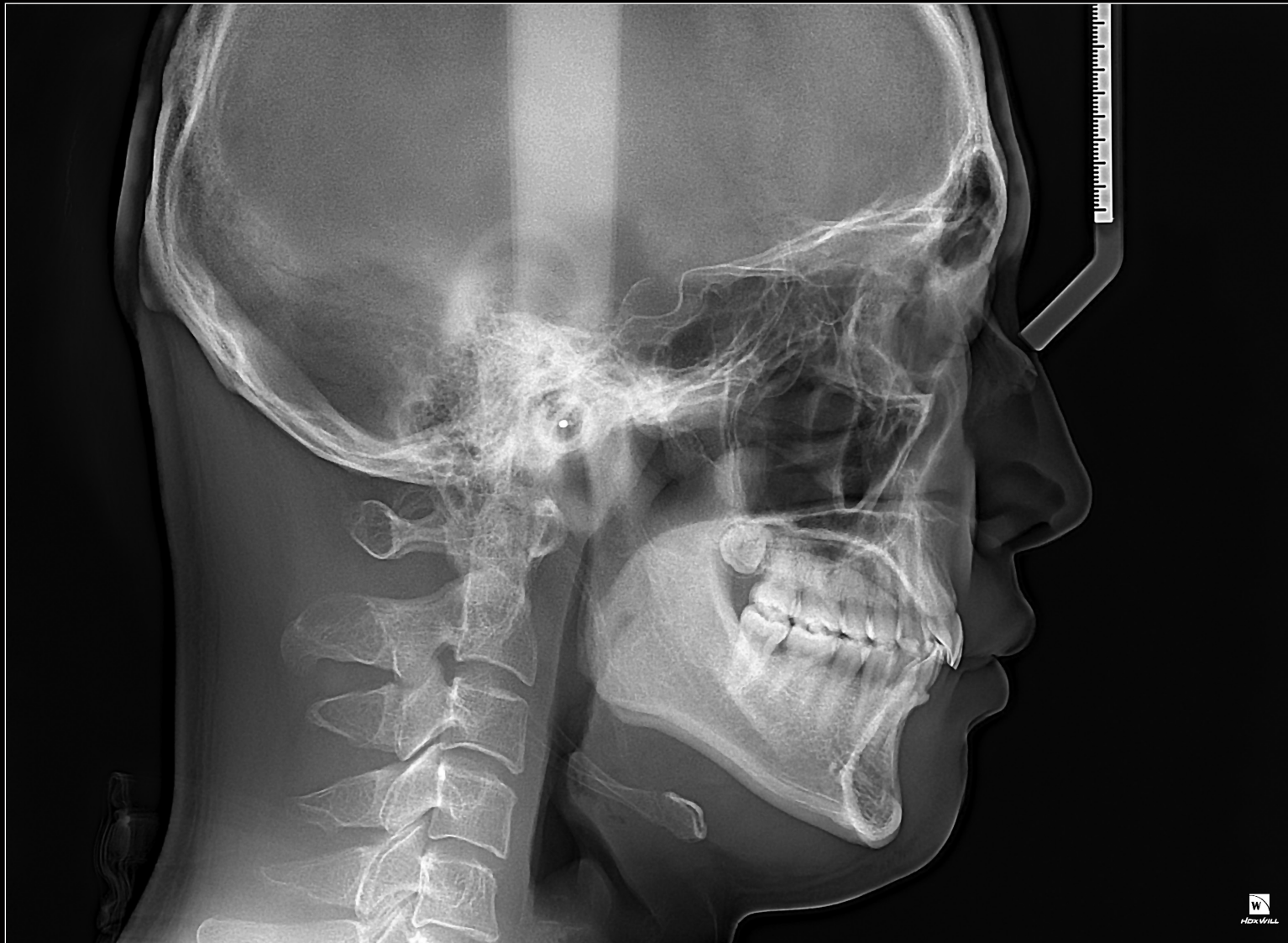


Fast scan: 7 seconds

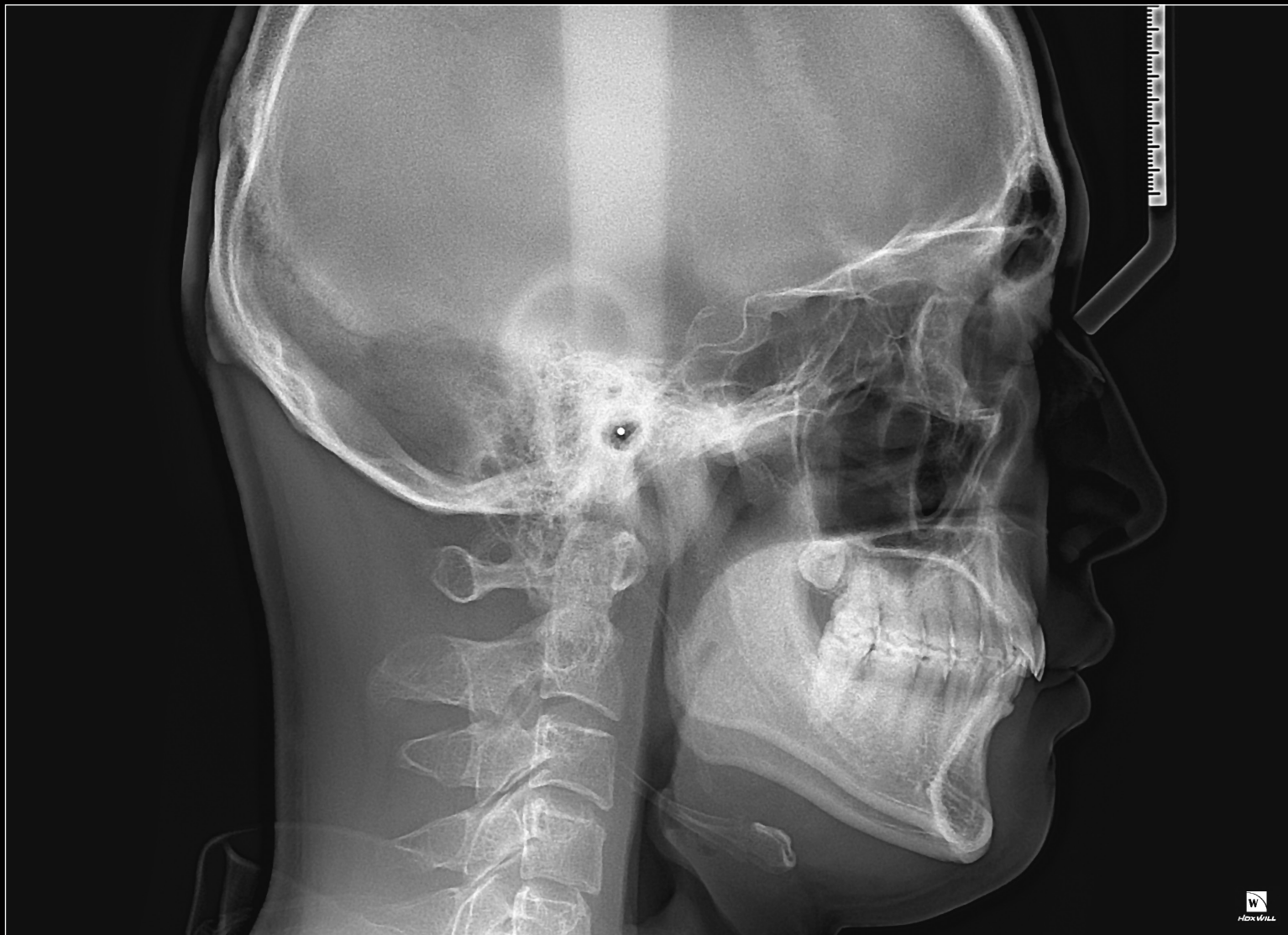


DENTIO III

For better image (Normal scan: 8.2 seconds)



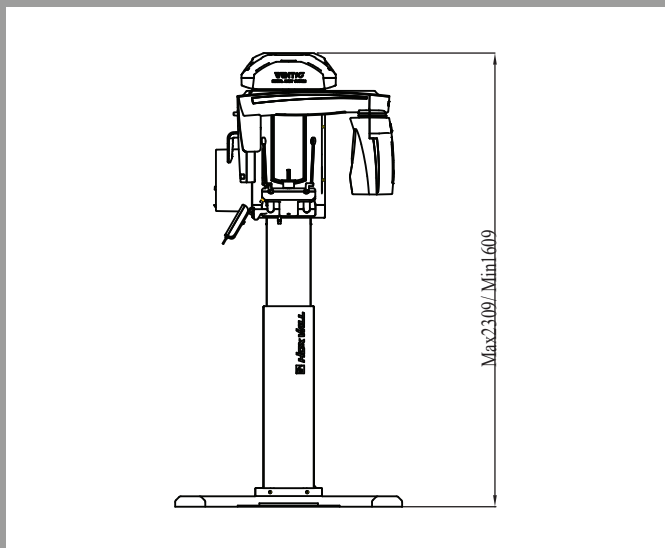
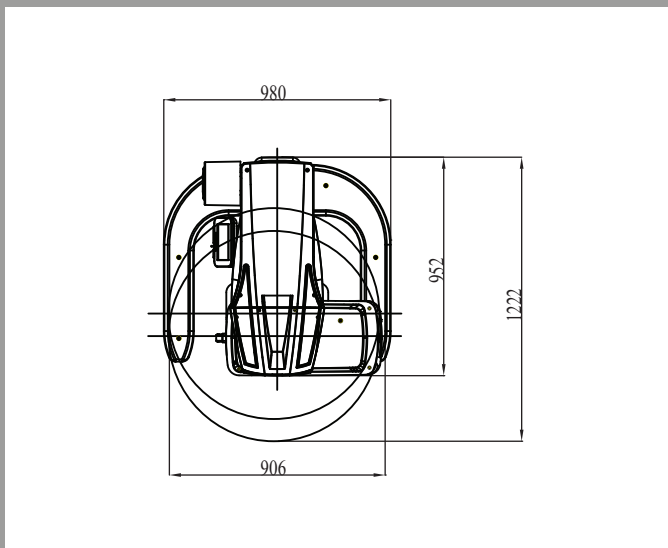
For low dose (Fast scan: 4.2 seconds)



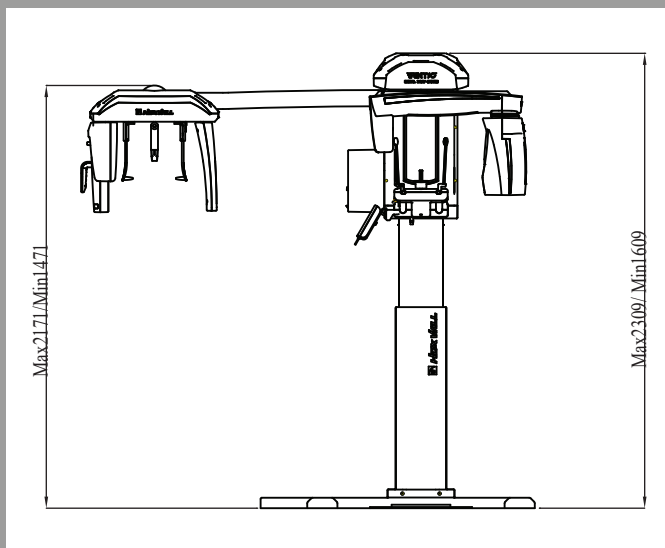
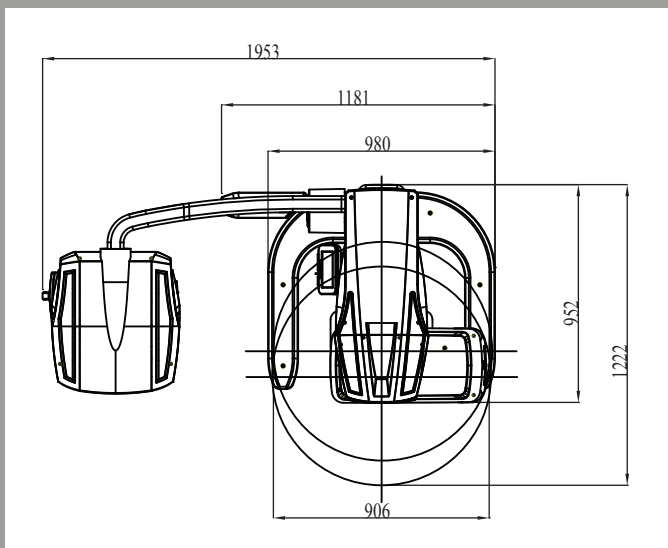
DENTIO III

Unit Dimensions

DENTIO III



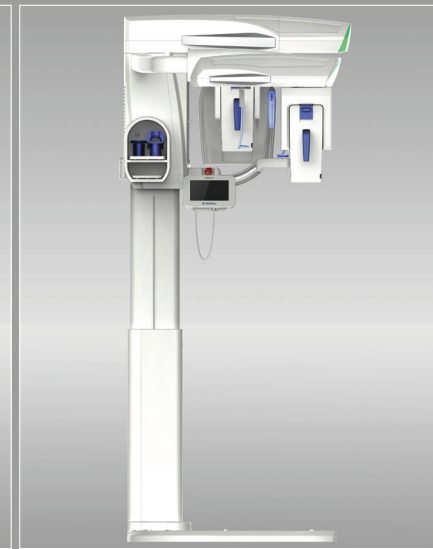
DENTIO III-S



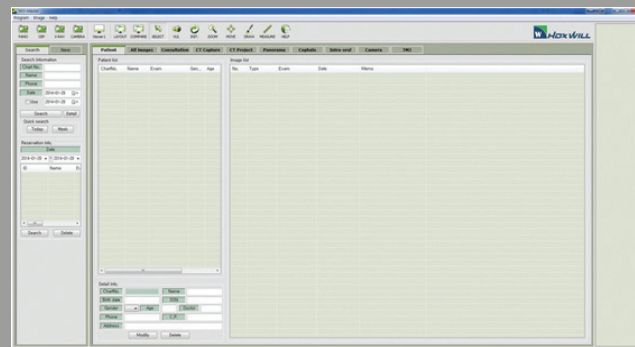
Technical Specifications

X-ray Beam	Cone beam
kV Range	50 kV ~ 90 kV
mA Range	4 mA ~ 10 mA
Gray Scale	16 bits / 14 bits
Detector Type	CMOS / TDI CCD
Focal spot	0.5mm
Scan Time	Panorama : 14.2 s (Normal) / 7 s (Fast) Cephalo : 8.2 s (Normal) / 4.2 s (Fast)
Patient position	Standing
Dimension (WxDxH)	With Cephalo : 1953 mm × 1222 mm × 2309 mm Without Cephalo : 980 mm × 1222 mm × 2309 mm
System Weight	With Cephalo : 160 kg (tolerance ±10 %) Without Cephalo : 130 kg (tolerance ±10 %)

ALL-IN-ONE World Best Dental X-ray System



Software



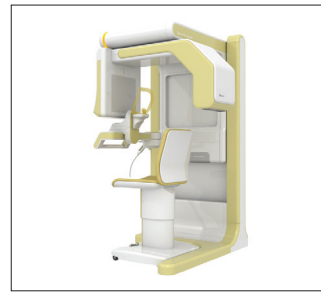
Will-Master
Patient Image Management Software



Will-Capture (Panorama)
Panorama Imaging Software



Will-Capture (Cephalo)
Cephalo Imaging Software



DINNOVA3
CBCT System



Q-Face
3D SCAN+CBCT+PANO+CEPHALO System



DENTRI
CBCT+PANO+CEPHALO System



W
Unit chair (HDX SKY)



XCAM
Wireless Portable X-ray



DENTRA
Oral Sensor System



H.O

10F, Taehwa Bldg, 29, Insa-dong 5-gil, Jongno-gu, Seoul, Korea Tel.82-1544-5735 / Fax. 82-2-2003-8497 www.hdx.co.kr
[영업부] 서울특별시 종로구 인사동 5길 29 태화빌딩 **고객상담센터 1544-5735** / Fax. 02-2003-8497 www.hdx.co.kr

R&D Center

14F, KCC Weltz Valley, 205, Gasan digital 1-ro, Geumcheon-gu, Seoul, Korea www.hdx-will.com
[연구센터] 서울특별시 금천구 가산디지털 1로 205 KCC 웰츠밸리 14층 www.hdx-will.com

Sales / Manufacturing Facility

#105, 106, 201, 202, 203, 204, 38, Osongsaengmyeong 4-ro, Osong-eup, Heungdeok-gu, Cheongju-si, Chungcheongbuk-do, 26161 Korea Tel. 82-43-710-7318 / Fax. 82-43-710-7312
[제조원] 충북 청주시 흥덕구 오송읍 오송생명4로 38 105호, 106호, 201호, 202호, 203호, 204호 Tel. 043-710-7318 / Fax. 043-710-7312
교육지원콜센터 **1544-8569**