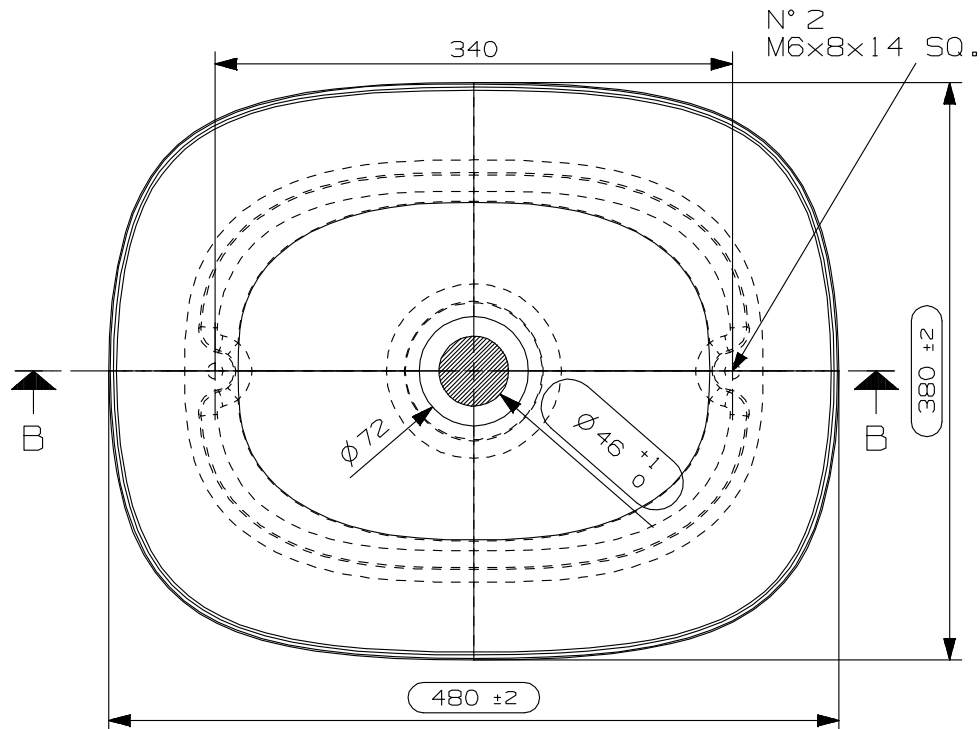
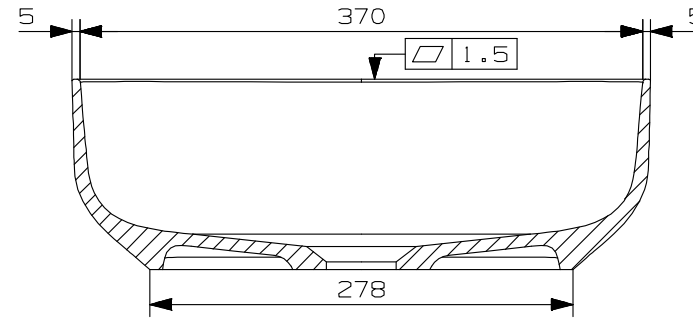
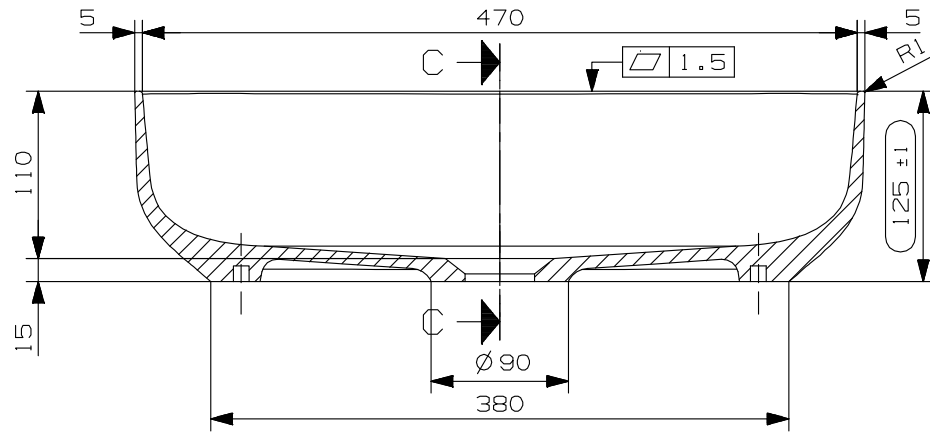




Marchena Countertop Basin

ASHTON & BENTLEY



Notes
 Taps, accessories and assembly parts are not included and must be purchased separately.

Important
 All dimensions listed are nominal. Being cast products they are subject to a size variance of +/- 3% tolerances.

| REV | DATE | DESCRIPTION | DRAWN | CHECKED |
|-----|----------|-----------------|-------|---------|
| 0 | 11/02/22 | Drawing created | MF | MF |

DRAWING TITLE
Marchena Countertop Basin

| SCALE | PAPER SIZE | DATE | DRAWN | CHECKED |
|-------|------------|----------|-------|---------|
| 1/5 | A4 | 11/02/22 | MF | MF |

| DRAWING No | REVISION |
|------------|----------|
| MAR-BSN-MW | - |

Biome Range
 Designed for life

Material - Biolux
 Finish - Matt white

DR Ashton & Bentley 2008-2014