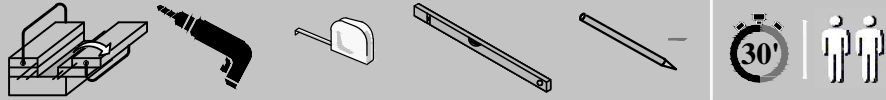
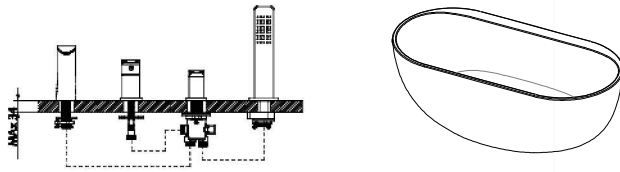


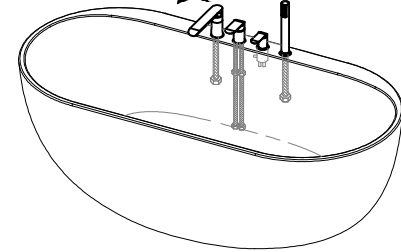
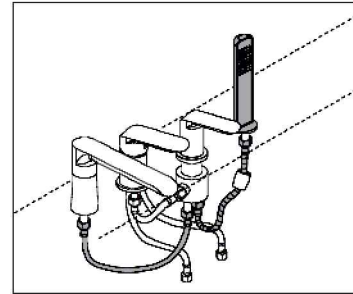


• How to install faucets on the bathtub

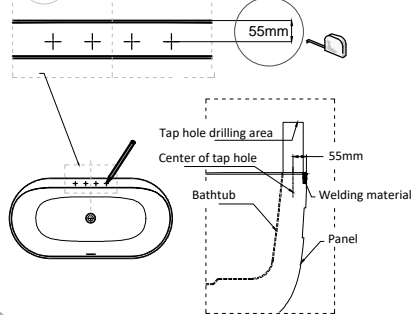


3

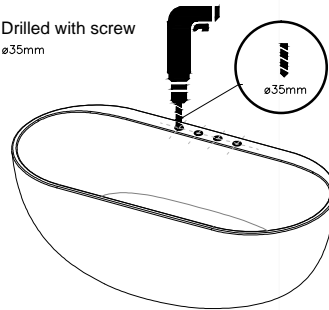
• Fix the faucets on the rim TUB.



1

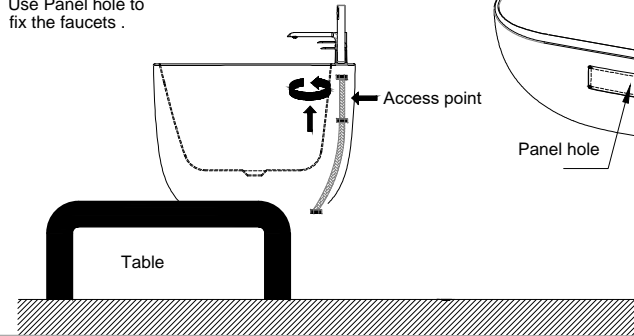


• Drilled with screw
ø35mm



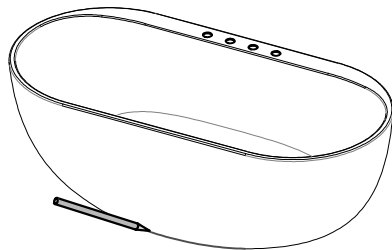
4

• Use Panel hole to fix the faucets .

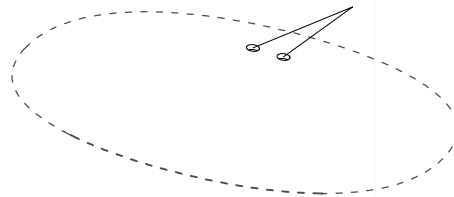


2

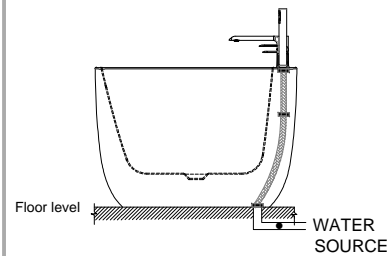
• Mark the bottom base of TUB



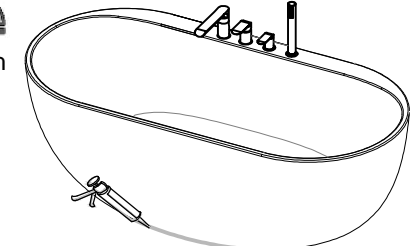
• Water Source
hot and cold water



5



12h



TISSINO

T 0345 582 8000
E info@tissino.co.uk
W tissino.co.uk

2 Lyncastle Road
Appleton Thorn
Warrington WA4 4SN

We reserve the right to
change this information
without prior notice