

# RVK3600 - B&W Trailer Hitches

ADVERTISING



## Audible Official Site

Your first book is on us and always yours to keep. Listen anytime, anyplace. Audible

DOWNLOAD

### <THESE INSTRUCTIONS MUST BE GIVEN TO THE END USER>



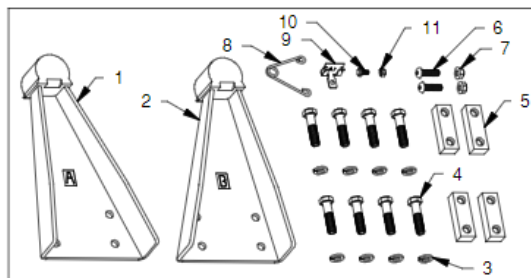
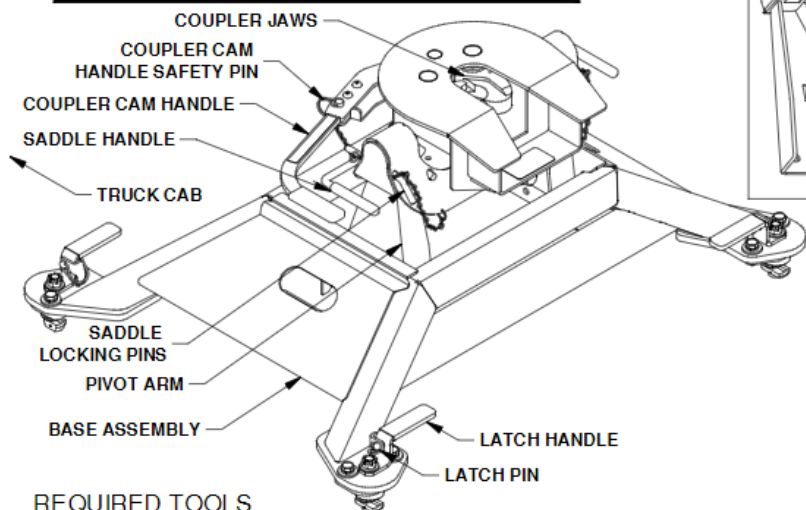
**B&W Trailer Hitches**  
 1216 Hawaii Road / PO Box 186  
 Humboldt, KS 66748  
 P:620.473.3664  
 F:620.473.3766

## RAM OEM Mount System Installation Instructions

**25,000 LBS. TRAILER WEIGHT**  
**6,250 LBS. TRAILER TONGUE WEIGHT**

Call or Email us for Installation Support  
[hitches@turnoverball.com](mailto:hitches@turnoverball.com) [www.turnoverball.com](http://www.turnoverball.com)

# Model 3600



PARTS LIST		
ITEM	DESCRIPTION	QTY
1	Pivot Arm A	1
2	Pivot Arm B	1
3	1/2" Split Lock Washers	8
4	1/2" X 2" Hex Cap Screw	8
5	3/4" Threaded Block	4
6	3/8" Button Head Cap Screws	2
7	3/8" Lock Nut	2
8	Wire Torsion Spring	1
9	Mounting Clip	1
10	1/4" X 1/2" Cap Screw	1
11	1/4" Finish Nut	1

#### REQUIRED TOOLS

Installation of the Companion hitch requires a large torque wrench capable of measuring 80 ft-lbs, a 3/4" socket, a 7/16", and 9/16" socket or wrench, a 7/32" allen wrench and a pair of needle-nose pliers.

ADVERTISING

## Related manuals

RVK3300 - B&W Trailer Hitches (/doc/7461398/rvk3300---bandw-trailer-hitches)

Patriot 16K - RVK3200 (/doc/7458441/patriot-16k---rvk3200)

SIDEWINDER WEDGE INSTALLATION INSTRUCTIONS (/doc/21883755/sidewinder-wedge-installation-instructions)

Installation Instructions (/doc/7712544/installation-instructions)

RVK3500 Instructions (/doc/13312650/rvk3500-instructions)

Installation Instructions - Cequent Performance Products (/doc/23163239/installation-instructions---cequent-performance-products)

Reese 5th Wheel Hitch Instruction Users Manual 16K 30047 Hitch (/doc/19430029/reese-5th-wheel-hitch-instruction-users-manual-16k-30047-...)

[INSTRUCTION MANUAL R20- Fifth Wheel Hitch Product No. \(/doc/23032071/instruction-manual-r20--fifth-wheel-hitch-product-no.\)](/doc/23032071/instruction-manual-r20--fifth-wheel-hitch-product-no.)

[B&W Slider Hitch Instructions \(/doc/14161464/bandw-slider-hitch-instructions\)](/doc/14161464/bandw-slider-hitch-instructions)

[RVK3405 - B&W Trailer Hitches \(/doc/7464751/rvk3405---bandw-trailer-hitches\)](/doc/7464751/rvk3405---bandw-trailer-hitches)

[B&W RVK3000 Instructions \(/doc/11740356/bandw-rvk3000-instructions\)](/doc/11740356/bandw-rvk3000-instructions)

[Patriot 18K Slider - B&W Trailer Hitches \(/doc/7456138/patriot-18k-slider---bandw-trailer-hitches\)](/doc/7456138/patriot-18k-slider---bandw-trailer-hitches)

[INSTRUCTION MANUAL PRO SERIES 16,000 For Installation \(/doc/26325612/instruction-manual-pro-series-16-000-for-installation\)](/doc/26325612/instruction-manual-pro-series-16-000-for-installation)

[Sentry SPB50 Specifications \(/doc/1666798/sentry-spb50-specifications\)](/doc/1666798/sentry-spb50-specifications)

[16K Reese Revolution \(/doc/24248869/16k-reese-revolution\)](/doc/24248869/16k-reese-revolution)

[warning warning \(/doc/27237067/warning-warning\)](/doc/27237067/warning-warning)

[Towing, Jacks & sTabiLizaTion \(/doc/7531701/towing--jacks-and-stabilization\)](/doc/7531701/towing--jacks-and-stabilization)

[Installation Instructions \(/doc/7712542/installation-instructions\)](/doc/7712542/installation-instructions)

[axles, axle assemblies & brakes \(/doc/6429675/axles--axle-assemblies-and-brakes\)](/doc/6429675/axles--axle-assemblies-and-brakes)

[WaRnIng - Felling Trailers \(/doc/6974672/warning---felling-trailers\)](/doc/6974672/warning---felling-trailers)

[Owner`s Manual - Felling Trailers \(/doc/47986601/owner-s-manual---felling-trailers\)](/doc/47986601/owner-s-manual---felling-trailers)

[OM-106 Felling.indd \(/doc/29970415/om-106-felling.indd\)](/doc/29970415/om-106-felling.indd)

[Do you need a help? Ask Manualzz Experts! \(/ask/easy-ask\)](/ask/easy-ask)

[Download PDF \(/download/7452906\)](/download/7452906)

## Ask a Question

What do you need help with?

[Expand \(/ask/easy-ask?document=7452906\)](/ask/easy-ask?document=7452906)

[Ask](#)

ADVERTISING

## Related questions

[Manualzz \(/\)](#)  
© 2019

Manualzz provides technical documentation library and question & answer platform. It's a community-based project which helps to repair anything.

[About us \(/about\)](/about)

[DMCA / GDPR \(/dmca\)](/dmca)

[Abuse here \(/abuse\)](/abuse)