

<h1>HOW TO REPLACE AUGER MOTOR</h1>	Document #		Model Name and Number		
	HT00158-A		OSBURN 2500 (OP00025)		
	Document Version		Serial Number		Date
	01		100	to	...

WARNING

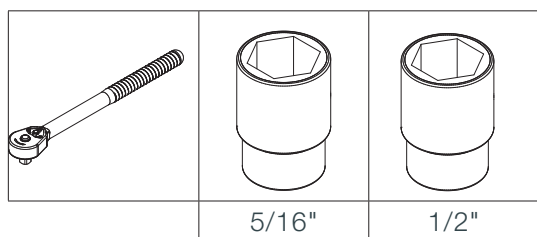
NEVER MANIPULATE OR REPLACE A COMPONENT WHEN THE STOVE IS HOT.

DANGER

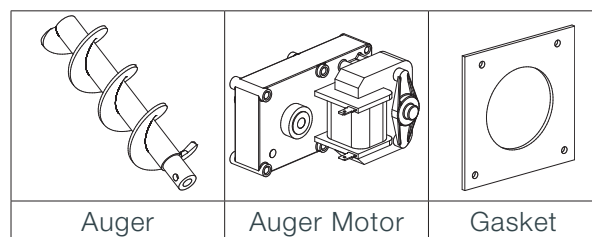
DISCONNECT ALL SOURCE OF POWER BEFORE MANIPULATING OR REPLACING A COMPONENT.

For part numbers visit our web site <https://www.osburn-mfg.com/en/replacement-parts/> For more information, contact us at 418-908-8002 or by email at tech@sbi-international.com

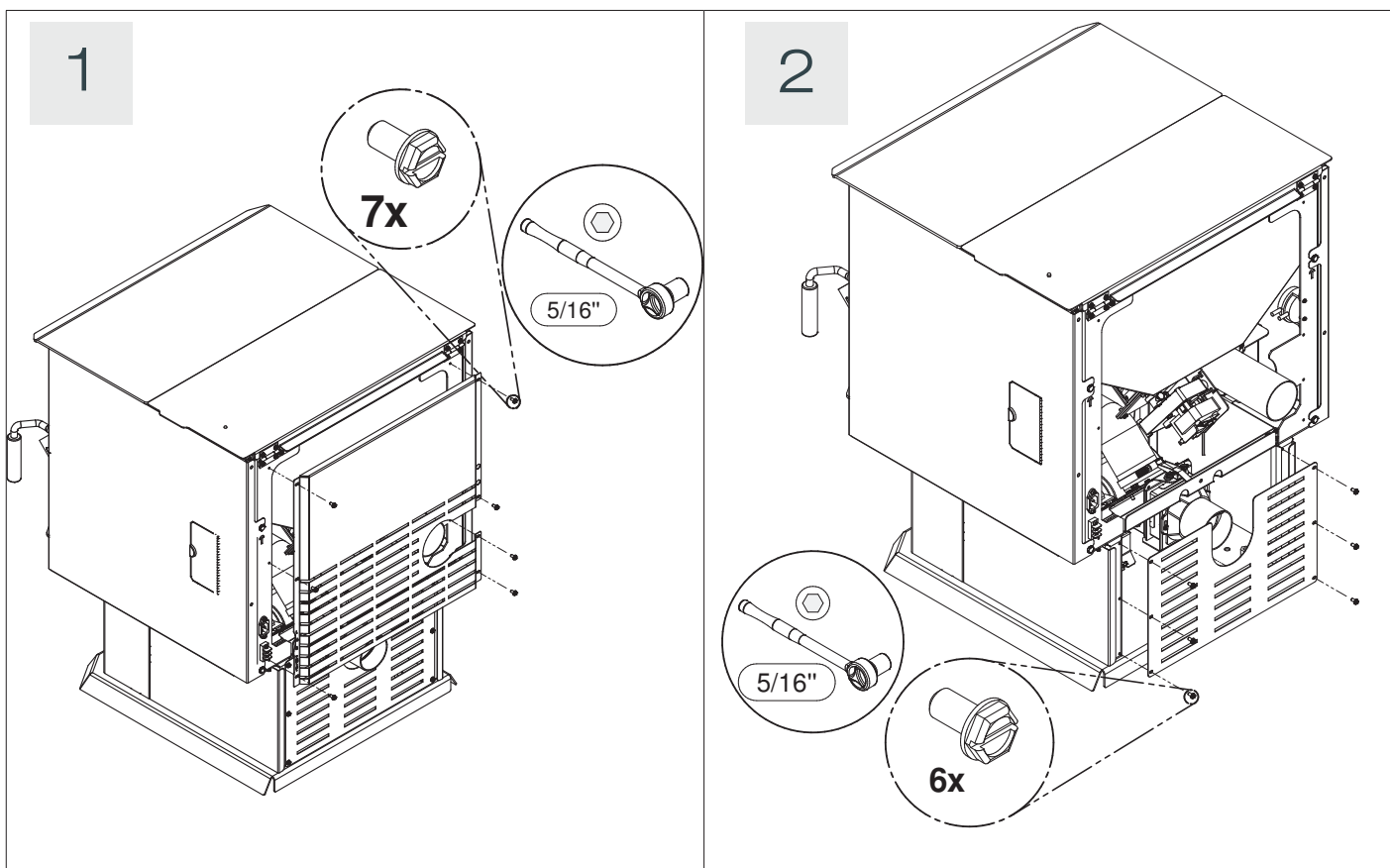
TOOL(S) REQUIRED :



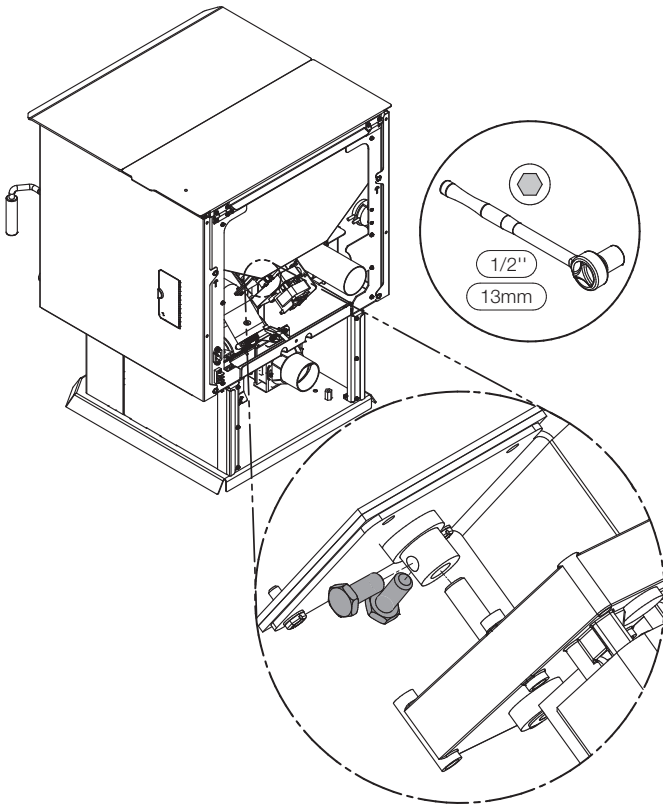
PART(S) REQUIRED :



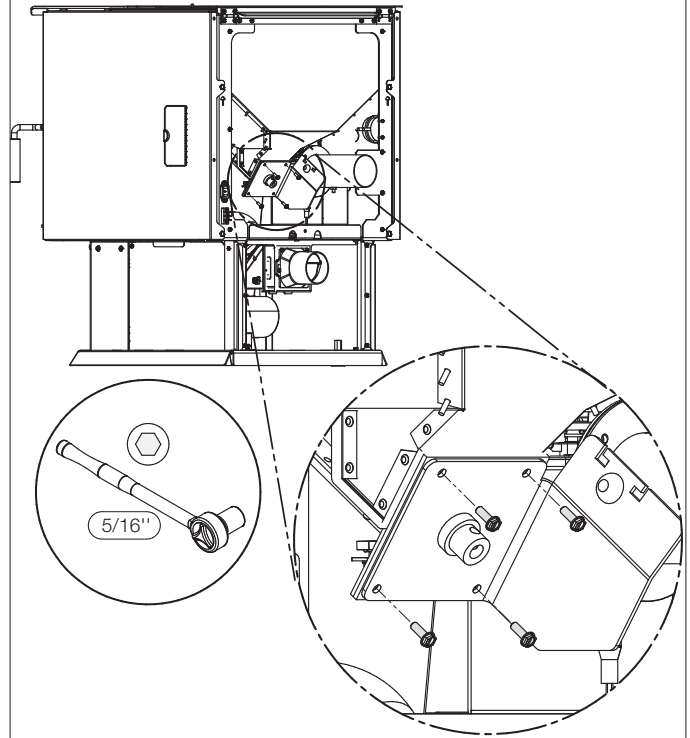
PROCEDURE :



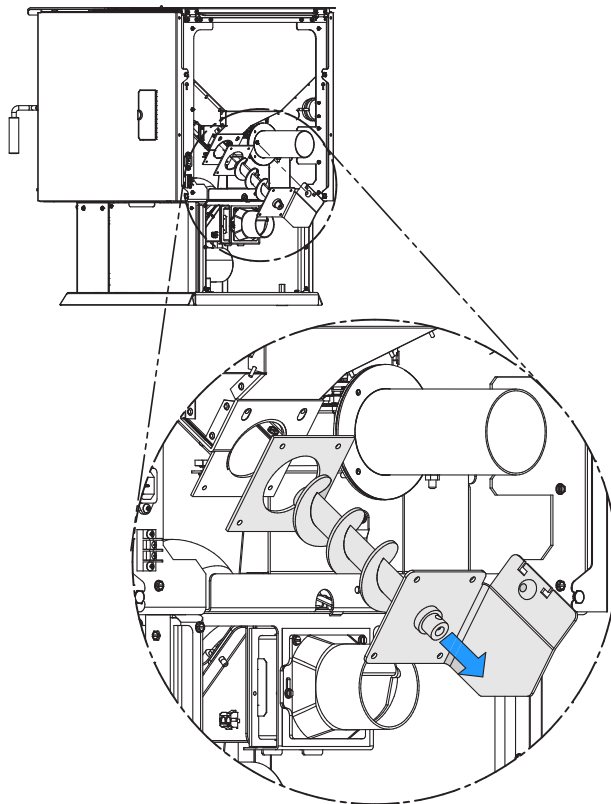
3



4



5



6

Follow previous steps in reverse order to reinstall.