



Aluminum Shell Awning

Install & Setup Instructions

ABOUT US

BENEHIKE is a CA-based company dedicated to providing top-quality rooftop tents, bed frames, and RTT awnings to outdoor and backcountry enthusiasts. We take pride in the increasing acceptance of our products, catering to a wider range of customers, from enthusiasts to weekend campers.

Despite 80% of campers desiring lighter rooftop tents, most available options still weigh over 200 lbs. Since 2020, BENEHIKE has enhanced its product line with input from over 10,000 overlanding users. On average, BENEHIKE Rooftop Tents are 20% lighter and have a 15% smaller storage volume compared to other market offerings.

TABLE OF CONTENTS

1 . IMPORTANT INFORMATION	2
2 . WARNINGS AND SAFETY INSTRUCTIONS	2
3 . PARTS LIST	4
4 . OPERATING INSTRUCTIONS	5
5 . CARE AND MAINTENANCE	8
6 . STORAGE AND HANDLING (OFF VEHICLE)	8
7 . WARRANTY	9



IMPORTANT INFORMATION

BENEHIKE® is not liable for damage or accidents resulting from non-observance of the instructions, changes to parts, or the use of parts other than BENEHIKE®'s original parts. The warnings, safety and operating instructions in this manual cannot cover every imaginable situation, so it is the user's responsibility to exercise common sense and caution. It is your responsibility to pass these instructions on to third parties using this rooftop tent, including second-hand sales.

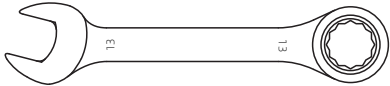




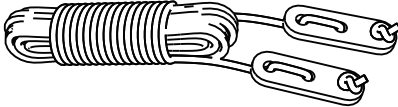
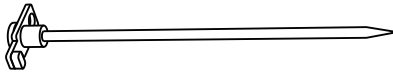
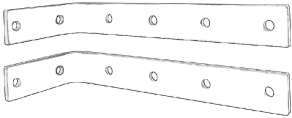
WARNINGS AND SAFETY INSTRUCTIONS

Rooftop Tent:

- Before installing the BENEHIKE® rooftop tent, ALWAYS refer to your vehicle and roof rack manuals and ensure that you are following their instructions and advice. It is recommended to carry your vehicle manual, roof rack manual and the user manual of this rooftop tent in your vehicle.
- BENEHIKE® recommends that you should NOT transport your rooftop tent over 100kmh and that you adhere to speed limits.
- With the BENEHIKE® rooftop tent, you should measure the overall height of your vehicle with the tent fitted as you will need this information to decide if the vehicle can enter car parks, etc.
- The attachment of the rooftop tent to your vehicle will alter its centre of gravity. Adjust your driving accordingly.
- At the beginning and at regular intervals during each trip, please check that your tent is firmly installed by ensuring all nuts and bolts and all accessories are safely secured. ALWAYS check your tent is in a safe and appropriate place.
- ONLY open and close the rooftop tent when the vehicle is parked and stationary. ALWAYS ensure the tent is dry prior to closing. If this isn't possible, open immediately when you arrive at your home or next destination. Storing a wet tent can lead to the formation of mold & mildew. It is recommended to store your tent indoors if it's not going to be used for a long time. When storing indoors, be sure to place the tent on a padded surface and away from heavy loads and debris.
- Ensure that the roof rack or roof bars can support the full weight of the rooftop tent while in motion. Ensure the rooftop tent's weight is centred over the middle of the vehicle and its sides are not over hanging the vehicle.
- DO NOT use your rooftop tent if there is any visible damage to any part or its components, instead contact BENEHIKE® to see how we can help.
- Incorrectly mounted roof racks, rooftop tent or cross bars can come loose during travel and cause serious accidents.
- Make sure you give due consideration to the change in your vehicle height and driving behavior (e.g. wind sensitivity, corner and braking behavior) to accommodate the change in vehicle height.

- NEVER force any of the components which could result in damage when opening and closing the tent. Metal components may need to be cleaned with a brush or soft cloth to ensure proper operation.
- DO NOT use cleaning fluids containing bleach, alcohol or ammonia or any other chemicals that would otherwise damage your tent.
- DO NOT drill holes in the ladder. This will weaken the structure of the ladder and can cause injury.
- NEVER leave the tent open for a long time where insects, rodents, or moisture could occur, and regularly inspect your tent for damage and check hardware for signs of rust.
- Keep children away from a stored tent, and ensure it can't be tipped over accidentally.
- Be aware of low entrances, low hanging branches, and other hazards that could damage your roof top tent or vehicle.
- When washing your vehicle, your rooftop tent must be removed first.
- For reasons of fuel economy and the safety of other road users, your roof tent and roof rack should be removed when not in use.
- Keep ALL flame and heat sources away from the tent. Under NO circumstance should ANY naked flame sources or heating devices be used inside the tent.
- Keep a look out for ANY airborne burning embers that may come into contact with the tent. Keep a fire extinguisher or water bucket nearby.
- DO NOT smoke within the tent.
- Keep EXIT clear.

PARTS LIST

Item	Description	Qty	
1	Metric Wrench 10/13 mm	2	
2	Double wholes washer	2	
3	20mm Stainless Steel M8 Bolt	4	
4	55mm Stainless Steel M8 Bolt	4	
5	M8 Self-Locking Nut	8	
6	String	3	
7	Tent pegs	3	
7	L bracket	2	

OPERATING INSTRUCTIONS

FITTING TO THE ROOF RACK OR CROSSBAR :

1. Attach the L-shaped mounting to the roof rack with screws and 2-hole gaskets.



2. Slide the screw into the either side track in the middle of the prole.

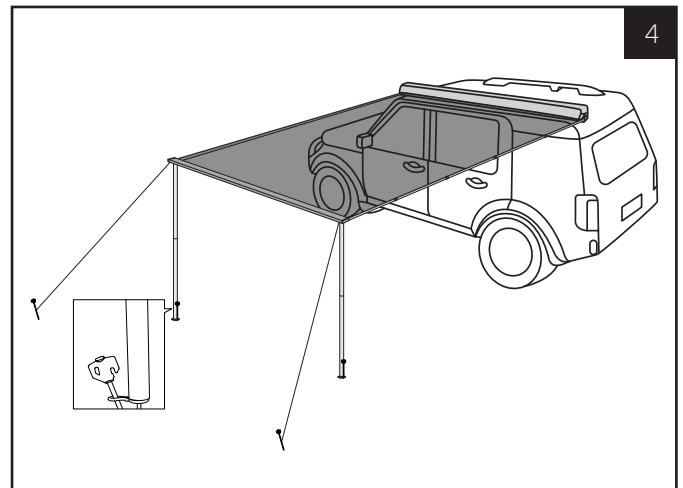
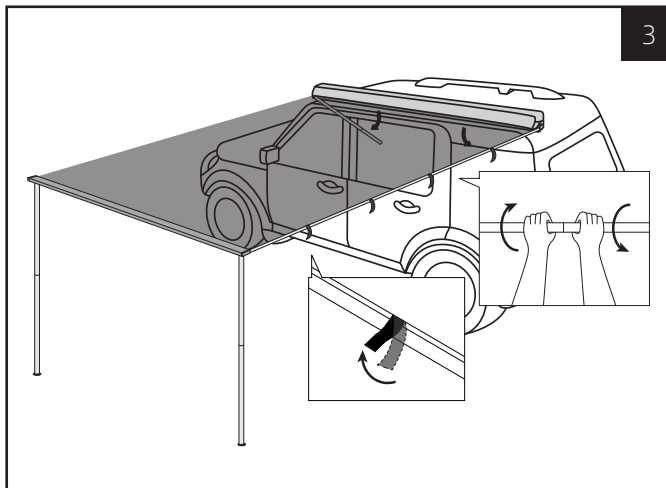
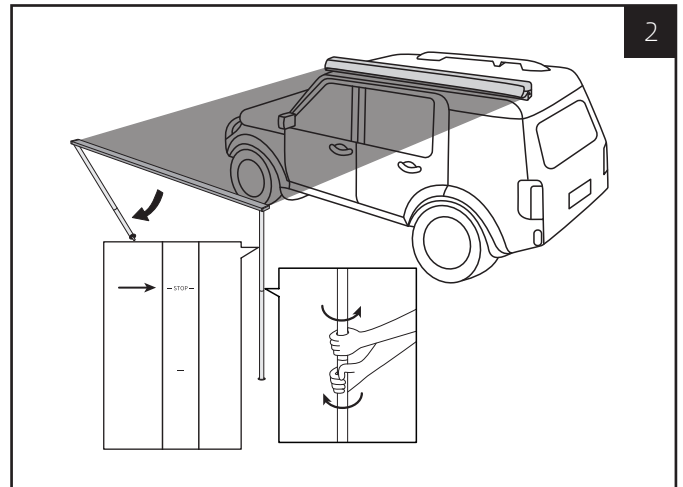
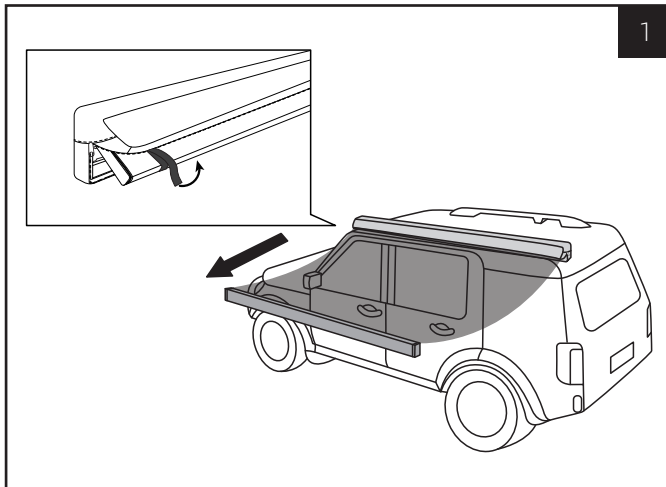


3. Lift the side canopy to align with the L-shaped mounting parts and tighten the screws.



OPERATING INSTRUCTIONS

1. Open the zipper of the soft PVC case and Unzip the Velcro.
2. Extend the side curtain to the full length, adjust the landing rod of the side curtain to the required height, then tighten the thin rod to the locking state.
3. Loosen the side Rod of the side curtain, then insert it into the mounting hole and tighten the thin rod. Use the Velcro to secure the tarp to the side bar.
4. The use of wind rope: the use of wind rope and nails fixed in the ground to prevent wind blowing.



CARE AND MAINTENANCE

The BENEHIKE® rooftop tent is designed to be a reliable companion on your adventures. In order to keep it performing at its best, BENEHIKE® recommends some care and maintenance steps that will help prolong its life. Prior to each use, inspect your rooftop tent mounting

hardware. If necessary, clean with wet cloth. Dry your rooftop tent thoroughly before you close it. If unable to properly dry your rooftop tent prior to closing, open it up and air dry it at your next opportunity. Failure to properly dry your tent out can lead to the growth of mold and mildew which can degrade the tent material, cause discoloration, and foul odor. Mold and mildew growth is not covered under your rooftop tent warranty. To clean your rooftop tent use with cold water and a sponge. DO NOT use soap or detergent. Rinse with a clean wet sponge and allow to thoroughly dry. DO NOT expose to petrol, oil or solvents.

STORAGE AND HANDLING

Ensure it is fully dry prior to storage and store in a cool dry location free from sunlight. Zippers should be pulled with even force and in a gentle manner. Keep your zippers free from dust and dirt and periodically apply non-scented bees wax to the zipper teeth as lubrication. This will prolong the life of your zippers. Ladder should be wiped free of any dirt or dust prior to collapsing the tent. Keep your mattress dry and free from dirt. Prior to closing your rooftop tent lift your mattress and ensure the underside is dry. Remove mattress and air dry if necessary. To clean mattress cover, remove cover and machine wash gentle cycle. Hang dry, DO NOT TUMBLE DRY. You should ALWAYS wipe your ladder free of any dust or dirt prior to collapsing it for storage. Failure to do so can result in debris contacting your tent which can lead to damage to your tent fabric.

WARRANTY

BENEHIKE® (“Manufacturer”) warrants, to the original purchaser (“User”) that its rooftop tent, if purchased from manufacturer or an authorized distributor or dealer, will be free of defects in material and/or workmanship under normal usage from the date sold and for the duration (the “Warranty Period”) of 2 YEARS. This warranty shall ONLY be effective for the original purchaser and apply ONLY to the BENEHIKE® rooftop tent that is correctly installed on the vehicle for which it is intended. BENEHIKE® will either replace the product or provide you with a refund at our discretion provided that the fault is found to have been caused by a design or manufacturing defect that results in its failure to perform correctly as described. The limited warranty is the only one that applies to this product, and it sets forth all the responsibilities of BENEHIKE®

EXCLUSIONS

This warranty does not cover defects, failure or damage caused by incorrect installation, intentional damage, misuse or abuse. It is recommended that the installation should be performed by suitably qualified technicians or the warranty will be voided. For further clarity, this warranty is also void if the rooftop tent: is repaired, altered or modified carried out by anyone other than BENEHIKE®, or without BENE HIKE's authorization, is damaged by mold and mildew as the tent is not properly dried prior to closing, is damaged by extreme weather (e.g. storm, hail or strong wind), extreme temperature, accidents, negligence, daily wear and tear, incorrect setup, or failure to check the condition of tent before each use, is damaged by UV degradation or acid rain to the tent/awning and its components, is damaged from improper storage, or a failure to provide routine maintenance, is used on permanent sites or commercial displays.

CLAIMS

If a BENEHIKE® product is suspected of being defective, you'll need to provide proof of purchase (e.g. a screenshot of the order) and a picture and a video of the damaged goods in their entirety to service@benehike.com or +1 (951) 691-3943. If the product is found to be defective and covered by this limited warranty, the remedy is replacement or refund, at BENEHIKE®'s option. No charges will be accepted for external labour or materials.