
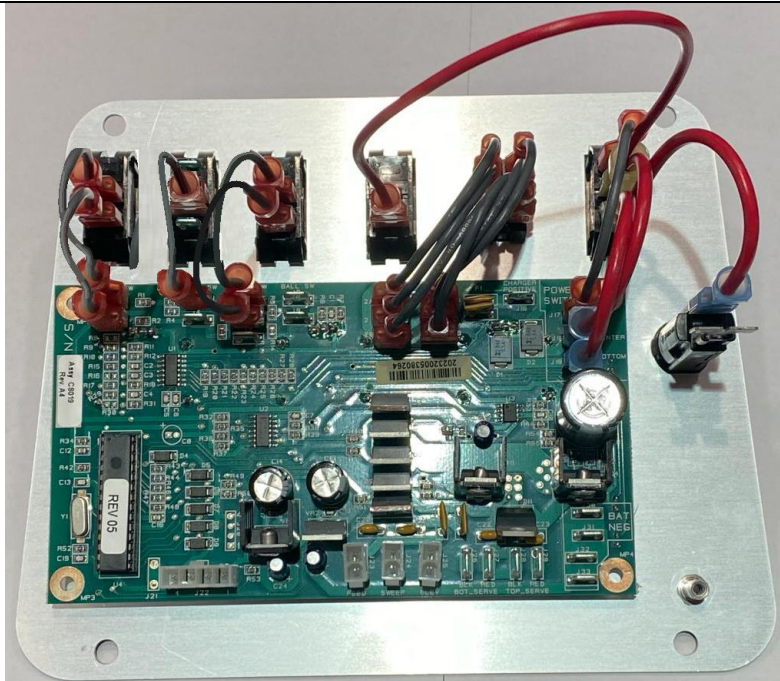


Replacing and Installing a Control Panel Elite 3 Machine

Step	Description	Tools	Picture
	<p>Models that Apply: Elite model 3.</p> <p>This instruction is to help guide you through installing a new control panel for your Elite 3 model machine. Please use the image as reference to ensure you have the correct control panel. If your panel says "elite Liberty" or "elite 2" on the front lower left-hand side of the panel or looks differently on the circuit board section (shown in the 2nd picture), please contact Lobster Sports Customer Service at 1-818-764-6000 for a Return Authorization (<i>they might ask for a picture by e-mail as proof, and your machine serial number which is located underneath the machine on a white sticker readings EL0*-*****</i>).</p> 	<p>Phillips Screw Driver, and needle nose pliers</p>	

Replacing and Installing a Control Panel Elite 3 Machine



Unscrewing You Control Panel

Step 1.) Using a Philips screw driver, unscrew the 4 control panel screws that are holding the old panel to the back of the red case (in between the lower folding handle). *Note: If your control panel was sent under warranty with-in the first year of ownership of the machine, it is likely that you sent the old control panel back, and there is no old control panel to be removed.*

Step 2.) Disconnect the Positive (red) and Negative (black) wire 's from the battery terminal.

Step 3.) You can simply disconnect 1 wire from the old control panel, and reconnect it on the new control panel, one wire at a time, until all of the old wires have been transferred onto the new control panel. In order to help you, we have also showed were these wires connect and what they look like. The rest of the guide will show this in sections of small wires to make this task easier to follow.



4 Control Panel Screw locations.



Battery Terminal Wires

Replacing and Installing a Control Panel Elite 3 Machine

Motor Wire Connections

This guide will show the wires with a lower-case letter, and the image of where these wires connect to on the new panel in Capital letters. Each lower-case letter matches its Capital version on the wire connection diagram.

EL03

Motor Connections

- a. Top Server Motor (marked in Red)



- b. Bottom Server Motor (marked in Blue)



- c. Feed Motor (marked in Dark Red)



- a. Top Server motor wires (black and red marked by the red square).



- b. Bottom Server Motor (marked by a blue square).



- c. Feed (marked in dark red)



- d. Elevation (marked in green)



- e. Sweep (marked in orange)

Replacing and Installing a Control Panel Elite 3 Machine



d. Elevation Motor (marked in Green)

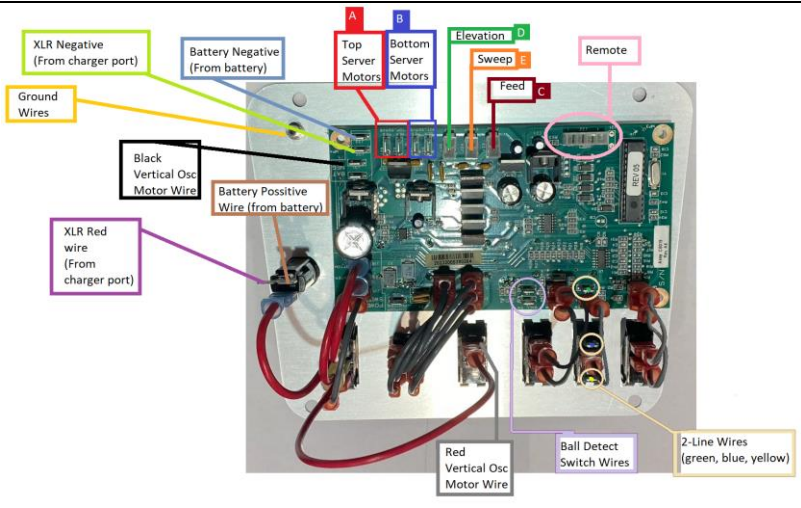


e. Sweep Motor (marked by Orange)



Use the image below showing where the wires connect to on the New circuit board.

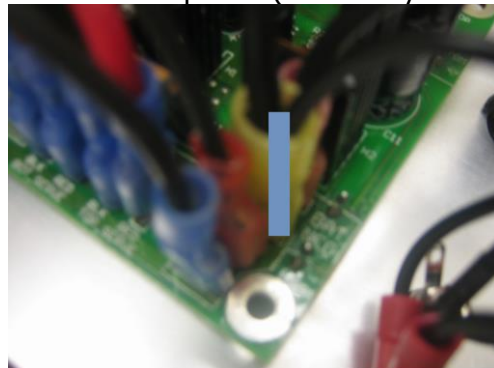
Replacing and Installing a Control Panel Elite 3 Machine



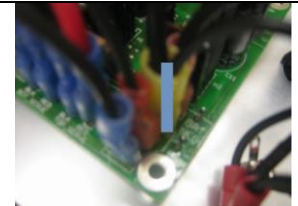
Elite 3 Panel with Labels

Power Wire Connection

f. Battery Negative Wire (black) from battery terminal to "Bat Neg" connection tab on green board. Attached black pigtail wire to corner ground screw on the back of control panel. (Marked by **Off Blue**)



g. Battery positive wire (red) from battery terminal to tab on back of the reset switch. (Marked by **Brown**)



f. Battery Negative wire from battery terminal (marked in off blue)



g. Battery Positive wire (red) on reset switch. (marked in brown)



h. Ground Wires (marked in gold)

Replacing and Installing a Control Panel Elite 3 Machine

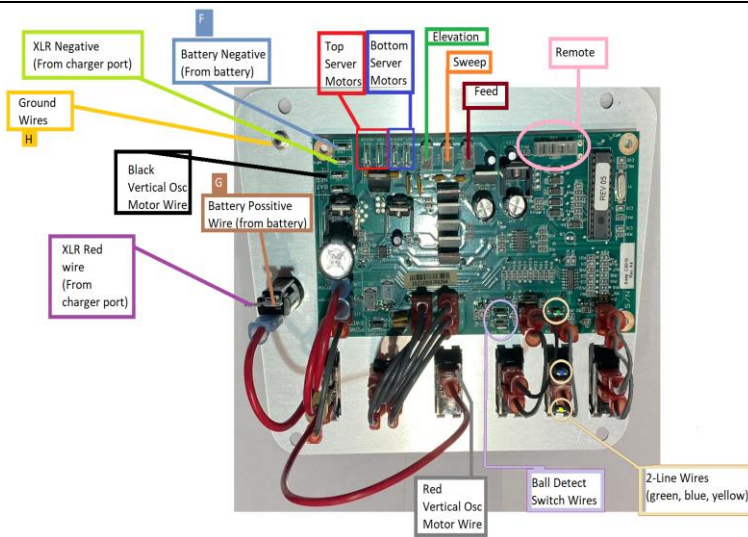


h. Ground wire (black) from feed motor (additional black wire attached to screw on feed motor) to corner ground screw on back of control panel.
(Marked in Gold)



Use the image below showing where the wires connect to on the New circuit board.

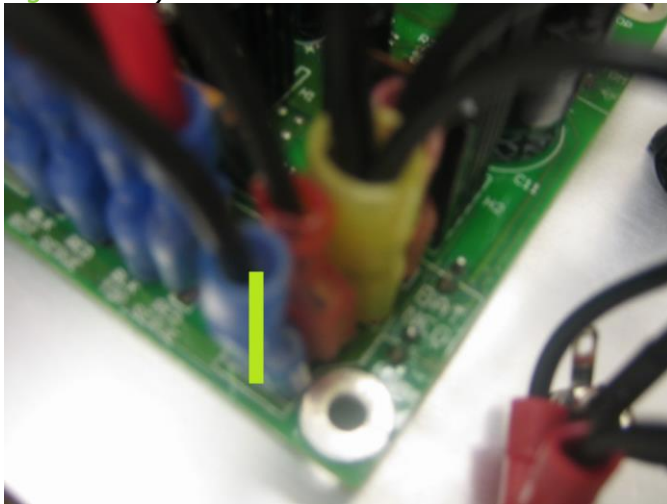
Replacing and Installing a Control Panel Elite 3 Machine



Elite 3 Panel with Labels.

Charger Jack Connection

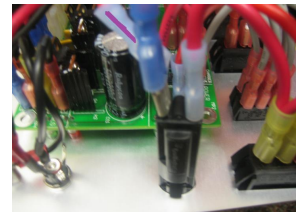
- i. XLR Charger Jack black (negative) wire to one of the tabs labeled "Bat Neg" on green board. (Marked in Light Green)



- j. XLR Charger Jack red (positive) wire to the prong on the reset switch. (Marked in Purple)



- i. XLR Charger Jack (black wire negative). (Marked in Light Green)



- j. XLR Charger Jack (red wire positive). (Marked in Purple)



- k. Remote Control (marked in Pink)

Replacing and Installing a Control Panel Elite 3 Machine



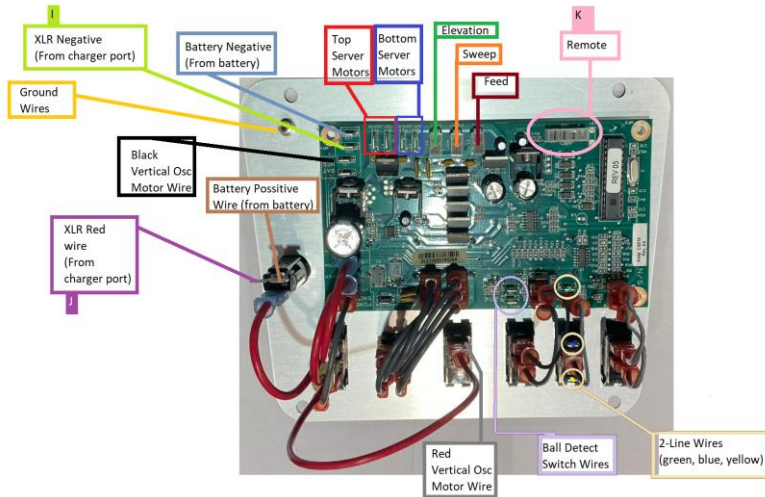
Note: The remote connection ONLY applies if you have an elite 2-function remote with your machine.

- k. Remote Control Receiver (multiple wire connector) if included, to connection labeled "J22" on green board. (Marked in Pink)



Use the image below showing where the wires connect to on the New circuit board.

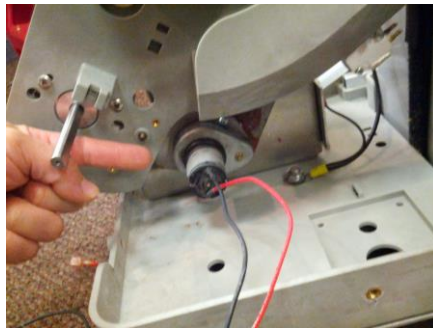
Replacing and Installing a Control Panel Elite 3 Machine



Elite 3 Panel with labels

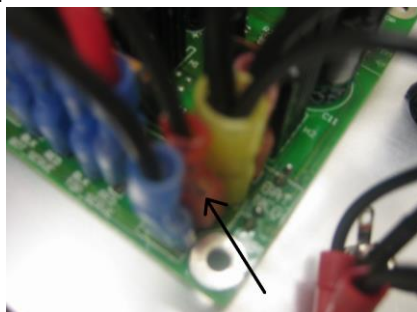
Vertical Oscillation Wires

The Vertical Oscillation Motor has 2 thin wires, a Red wire and a Black wire, that come from the motor (underneath the bottom server wheel) and connect to the circuit board.

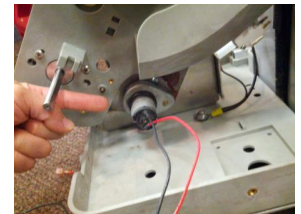


Vertical Oscillation Motor

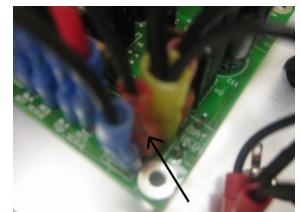
- I. Black Negative Vertical Oscillation Wire (marked in Black).



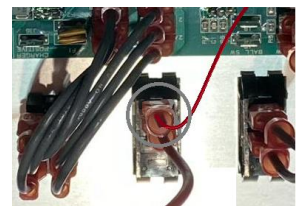
Negative Vertical Oscillation Wire. (Marked in Black)



Vertical Oscillation Motor



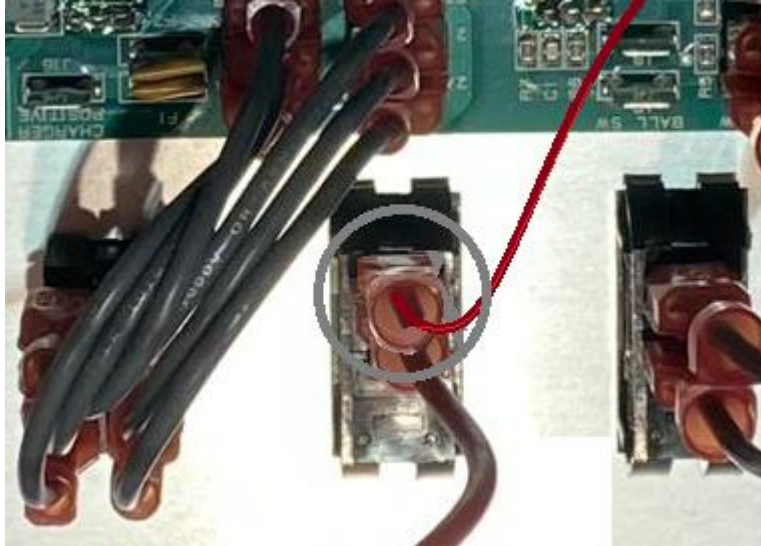
L. Negative Vertical Oscillation Wire. (Marked in Black)



Red Positive Vertical Oscillation Wire. Coming from the Vertical Oscillatoin Switch. (marked in dark Grey).

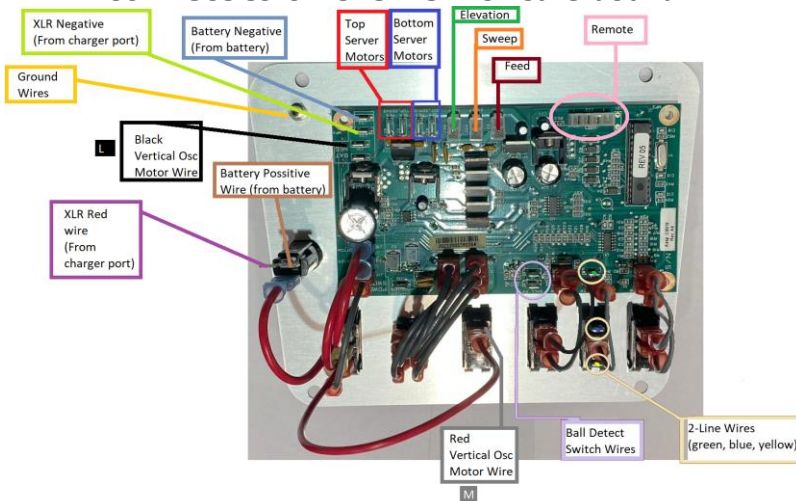
Replacing and Installing a Control Panel Elite 3 Machine

m. Red Positive Vertical Oscillation Wire (marked in Dark Grey).



Red Positive Vertical Oscillation Wire, coming from the Vertical Oscillation Switch. (marked in dark Grey)

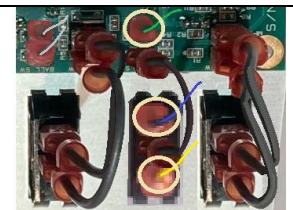
Use the image below showing where the wires connect to on the New circuit board.



Elite 3 Panel with Labels

2-Line and Ball Detect Wires

The 2-Line wires are 3 wires braided (yellow, green, and blue) that come from the sweep motor, and connect to the 2-line Switch, and circuit board.

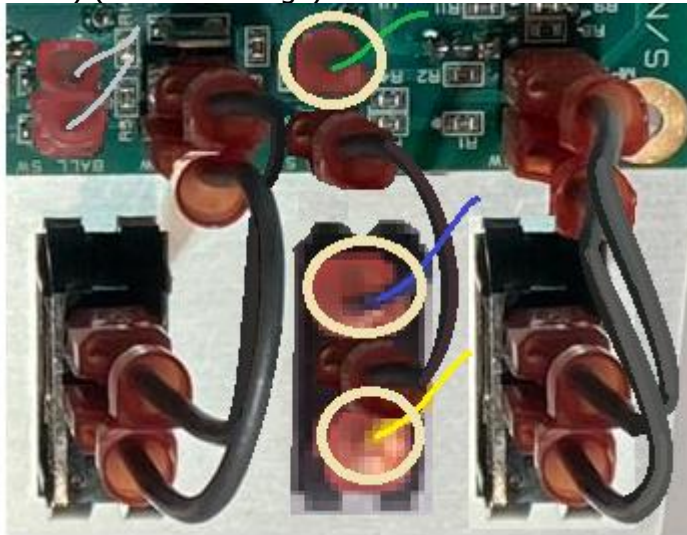


n. 2-line wires

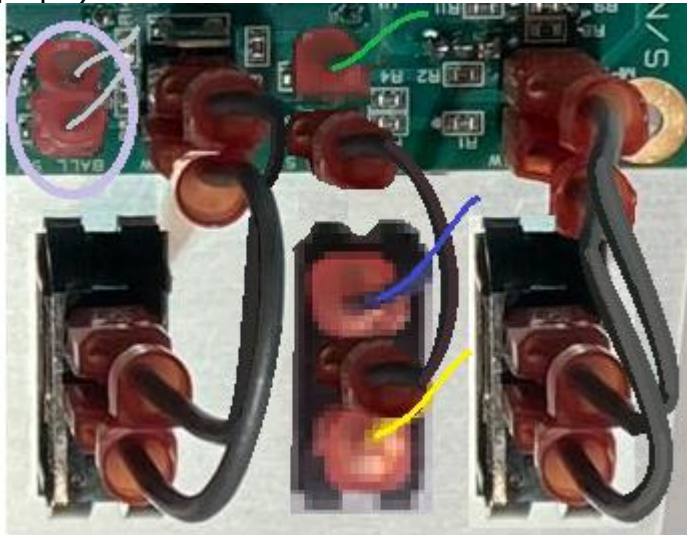
Replacing and Installing a Control Panel Elite 3 Machine

The Ball Detection Switch wires are 2 braided grey wires that come from under the ball chute (the slide the balls drop down before being ejected from the machine), and connect to the circuit board.

- n. 2-line wires (note: Green attaches to circuit board, blue attaches to the switch above the middle grey cable. Yellow attaches to switch below the grey cable.) (Marked in Beige)

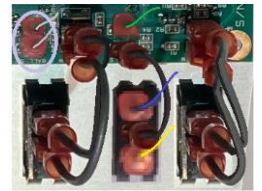


- o. Ball Detection Switch wires attach to the green circuit board (under BALL SW) (Marked in light purple)



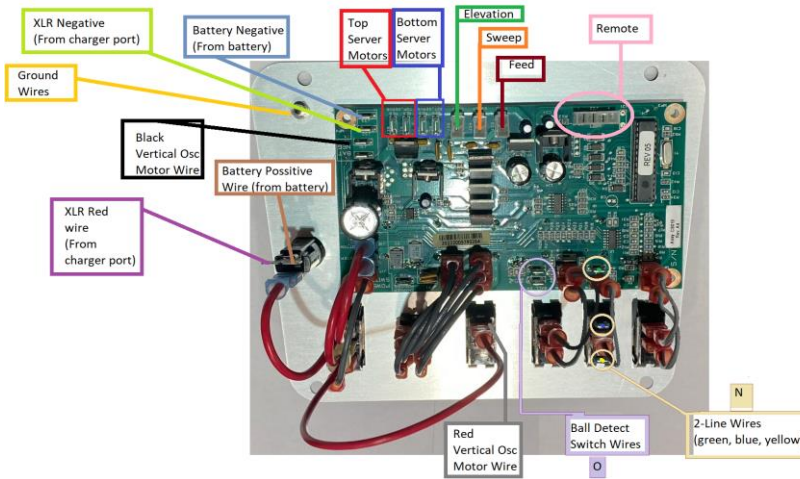
Use the image below showing where the wires connect to on the New circuit board.

(Marked in Beige)



O Ball Detect Switch wires (marked in light purple).

Replacing and Installing a Control Panel Elite 3 Machine



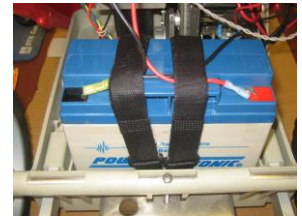
Elite 3 Panel with Labels

Reconnecting Your Battery Wires

Step 1.) With the new control panel installed, you can now reconnect the Black battery terminal wire to the negative section of the battery, and the Red battery terminal wire (battery positive wire) to the positive section of the battery.

Step 2.) You can now fasten the control panel to the red case, using the 4 black control panel screws.

Step 3.) It is important to ensure the new board is functioning properly, make sure to test all of the switches and dials. If you have a remote with the machine it is also recommended to test it out as well. Once the machine is fully tested, we recommend checking the charger. *Note: If for what ever reason you find some function not working properly, first unscrew the control panel to ensure everything is connected properly, and no wire came disconnected in the process of reconnecting the battery wire terminals. If there are no disconnected wires, please contact Lobster Customer Service at 1-818-764-6000.*



Battery Terminal Wires



4 Control Panel Screw locations.