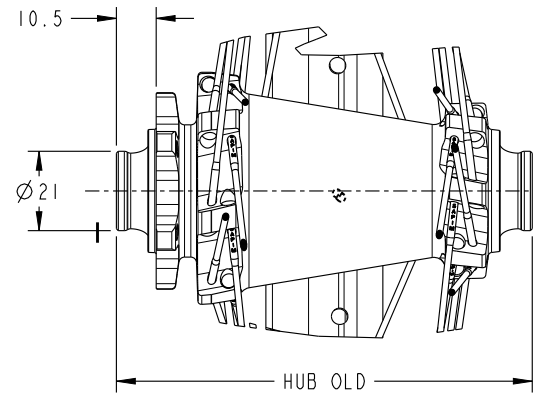
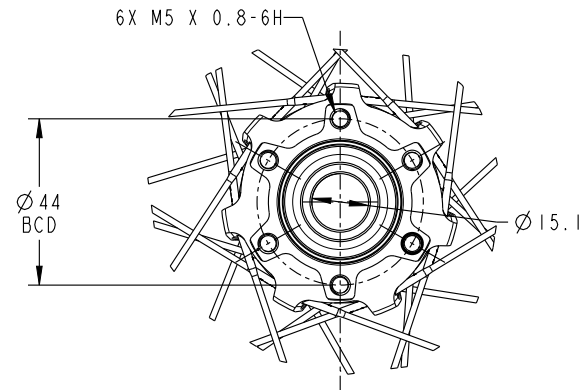


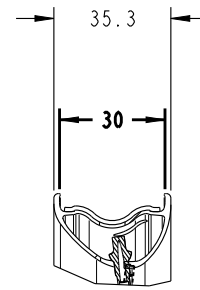
— PROPRIETARY —  
 THIS DOCUMENT CONTAINS CONFIDENTIAL, PROPRIETARY INFORMATION  
 THAT IS FOX PROPERTY. DO NOT DISCLOSE TO OR DUPLICATE  
 FOR OTHERS EXCEPT AS AUTHORIZED BY FOX.

FRONT WHEELS	RIM DESIGNATION (ISO 5775-2)	"D1" MEASURED DIAMETER TIRE BEAD SEAT	"D2" OVERAL RIM DIAMETER	HUB OLD
Turbine 30 27.5" 15x110	584 x 30TC	584	594	110
Turbine 30 29" 15x110	622 x 30TC	622	632	110

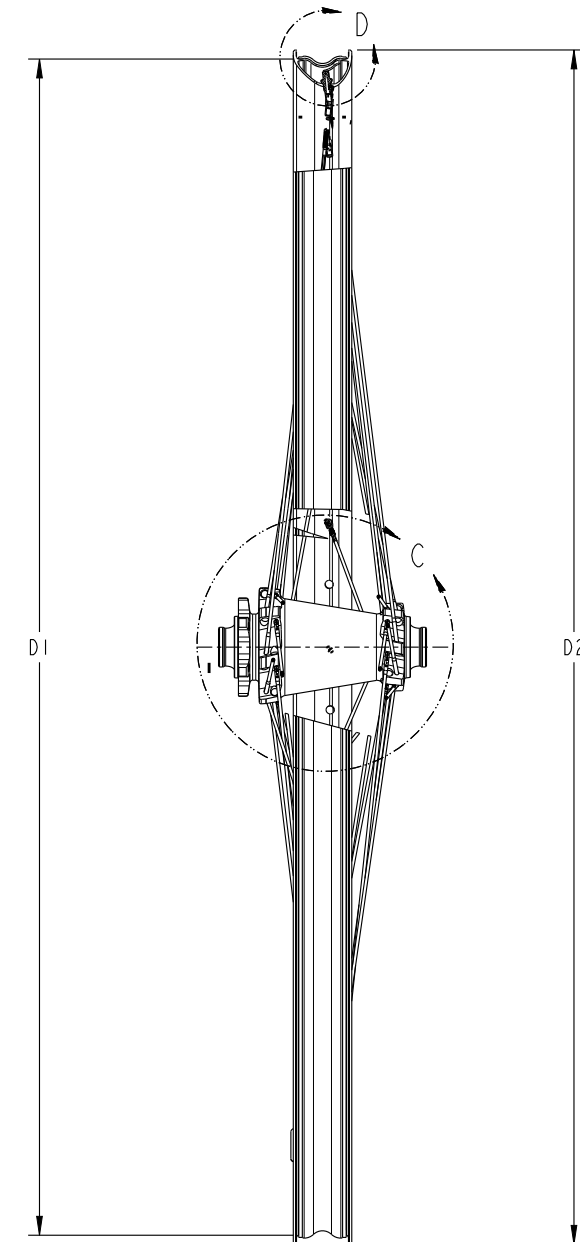
RIM MAXIMUM ALLOWABLE TIRE PRESSURE [3]			
TIRE WIDTH		MAX AIR PRESSURE	
(mm)	(in)	(bar)	(psi)
51	2.0	3.4	49
53	2.1	3.2	47
57	2.25	3.0	44
60	2.35	2.9	42
61	2.4	2.8	41
64	2.5	2.7	39



DETAIL C  
SCALE 1:2



DETAIL D  
SCALE 1:2



1. TURBINE WHEELS HAVE TUBELESS TAPE AND VALVES PRE-INSTALLED AT FACTORY
2. COMPATIBLE WITH TUBELESS, UST, AND STANDARD CLINCHER (WITH TUBES) TIRES
3. SEE TABLE ABOVE FOR MAXIMUM TIRE PRESSURE ALLOWABLE BY TIRE SIZE
4. MAXIMUM ALLOWABLE DISK ROTOR DIAMETER 225 mm (8.9 in)
5. INTENDED USE CATEGORY: EN 17406 CONDITION 4
6. MAXIMUM ALLOWABLE BICYCLE SYSTEM WEIGHT 140 kg (306 lbs)

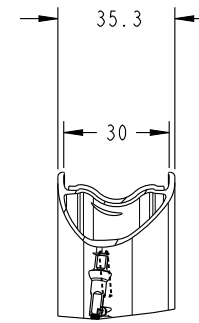


**FOX FACTORY INC.**  
 SPECIALTY SPORTS GROUP  
 \*118 - 8333 EASTLAKE DRIVE  
 BURNABY BC, V5A 4W2

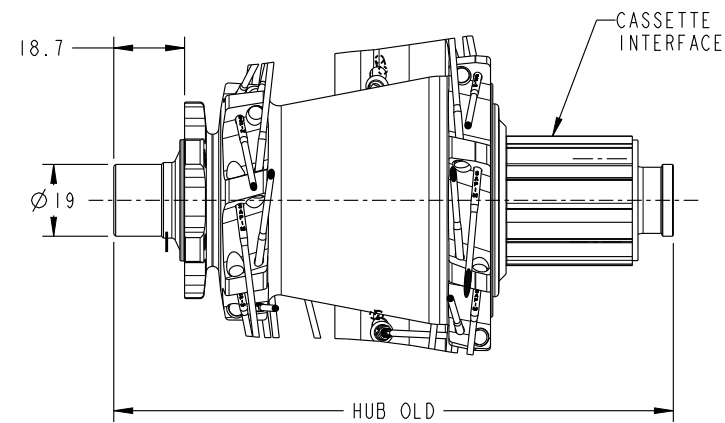
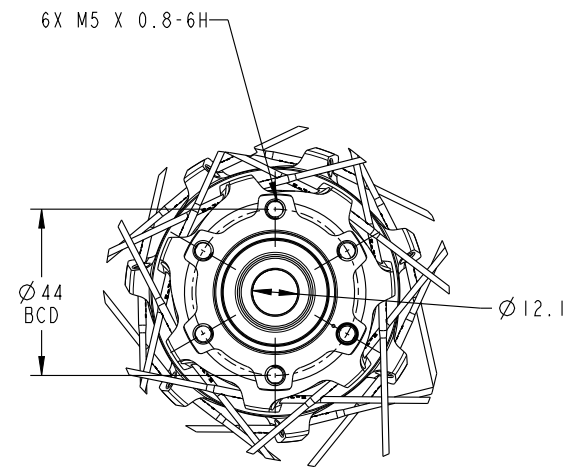
**USER SPEC,2024,WHEEL,TURBINE**

SIZE	PART NO.	REVISION
B	611-40-002	A
PLOT SCALE 1:4		SHEET 1 OF 2

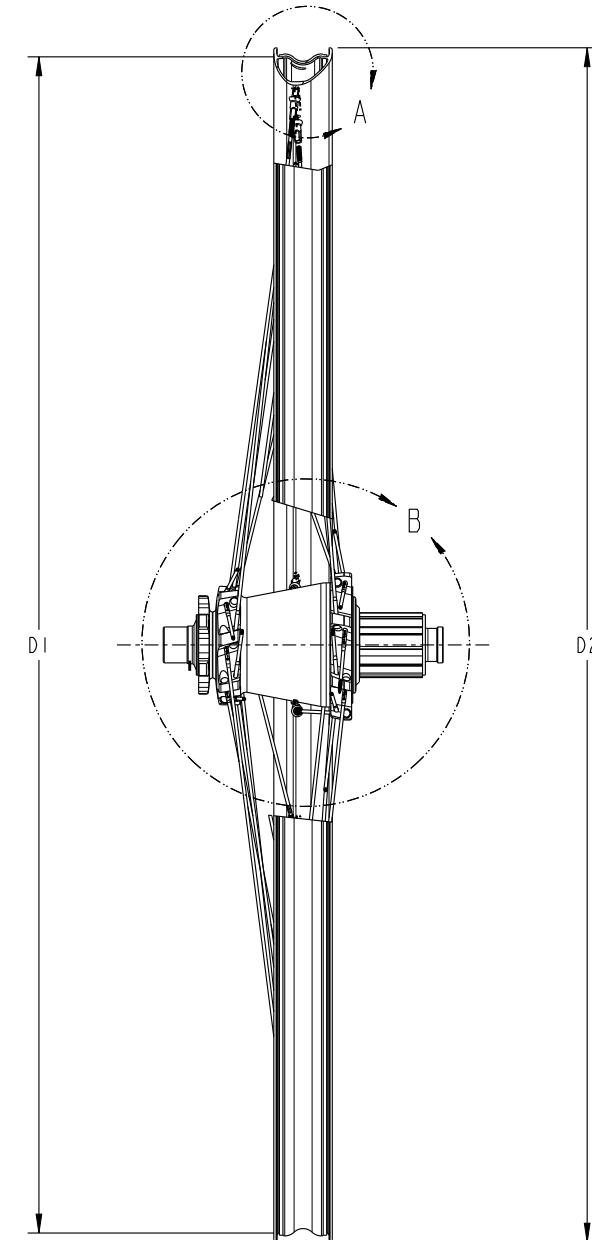
REAR WHEELS	RIM DESIGNATION (ISO 5775-2)	"D1" MEASURED DIAMETER TIRE BEAD SEAT	"D2" OVERAL RIM DIAMETER	HUB OLD	CASSETTE INTERFACE
Turbine 30 27.5" 12x148 MS	584 x 30TC	584	594	148	SHIMANO MICROSPLINE
Turbine 30 27.5" 12x148 XD	584 x 30TC	584	594	148	SRAM XD
Turbine 30 29" 12x148 MS	622 x 30TC	622	632	148	SHIMANO MICROSPLINE
Turbine 30 29" 12x148 XD	622 x 30TC	622	632	148	SRAM XD
Turbine 30 27.5" 12x157 MS	584 x 30TC	584	594	157	SHIMANO MICROSPLINE
Turbine 30 27.5" 12x157 XD	584 x 30TC	584	594	157	SRAM XD
Turbine 30 29" 12x157 MS	622 x 30TC	622	632	157	SHIMANO MICROSPLINE
Turbine 30 29" 12x157 XD	622 x 30TC	622	632	157	SRAM XD



DETAIL A  
SCALE 1:2



DETAIL B  
SCALE 1:2



— PROPRIETARY —  
THIS DOCUMENT CONTAINS CONFIDENTIAL, PROPRIETARY INFORMATION  
THAT IS FOX PROPERTY. DO NOT DISCLOSE TO OR DUPLICATE  
FOR OTHERS EXCEPT AS AUTHORIZED BY FOX.

SIZE B	CAGE NO. NONE	DWG. NO. 611-40-002	REV. A
PLOT SCALE 0.250		2 OF 2	