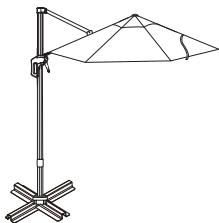


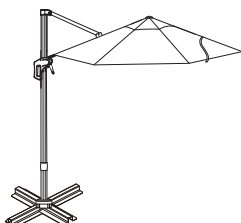
# CANTILEVER UMBRELLA

## ASSEMBLY MANUAL

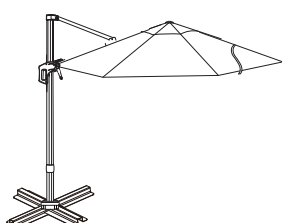
**THIS INSTRUCTION MANUAL CAN BE APPLICABLE  
TO THESE VINEY CANTILEVER UMBRELLAS:**



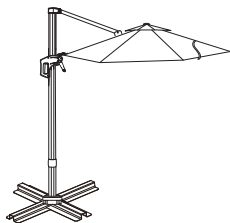
**10 FT OFFSET  
CANTILEVER UMBRELLA**



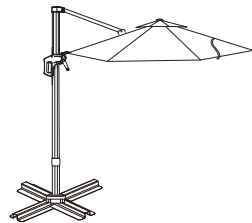
**11 FT OFFSET  
CANTILEVER UMBRELLA**



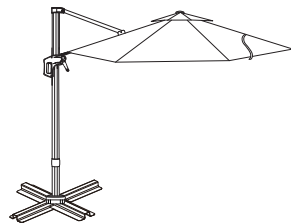
**12 FT OFFSET  
CANTILEVER UMBRELLA**



**10 FT 2 TIER OFFSET  
CANTILEVER UMBRELLA**



**11 FT 2 TIER OFFSET  
CANTILEVER UMBRELLA**



**12 FT 2 TIER OFFSET  
CANTILEVER UMBRELLA**

**IMPORTANT:**

READ IT CAREFULLY AND KEEP IT FOR FUTURE REFERENCE.

**SAFETY NOTES**

- **IMPORTANT!** Always close/put down the umbrella when not in use. Do not use or assemble the umbrella in heavy winds, rain, thunderstorms or if it's snowing. In these weather conditions, we recommend to fold down or disassemble the umbrella.
- **IMPORTANT!** The umbrella must be secured in place at the bottom using weights or being bolted down to the ground. Make sure the ground is level and firm.
- **IMPORTANT!** If the crank gets too hard to turn, check if the rope has come off the pulley. If you continue to turn the crank, the rope or crank handle could break.
- **IMPORTANT!** Placing the umbrella over or near a swimming pool can cause premature fading of the canopy.
- **IMPORTANT!** To prevent damage to umbrella, face the canopy against the wind.
- Assemble the umbrella by following the assembly instructions carefully.
- Do not assemble the umbrella on sandy, muddy or loose soil.
- Keep children and pets away while setting up the umbrella.
- Children must be supervised around the umbrella.
- This umbrella is for outdoor use only.
- Do not light any fires under or near the umbrella!
- This product has been tested for domestic and commercial use.
- This umbrella is primarily intended to be used as a sunshade and not as wind protection.

**CARE INSTRUCTIONS**

- To clean the canopy fabric, take it off the umbrella frame. Follow the care instructions that are attached to the fabric.
- Never use solvent-based detergents since these may bleach the material and damage the fabric. Also, do not use any alkali or acidic detergents or steam blasters to clean the umbrella.
- To clean the umbrella frame, wipe it with a mild soap solution. It is not recommended to clean plastic or metal products with a strong cleaner or an abrasive material since it may discolor or damage the surface.
- The umbrella frame is painted with a powder coating of plastic paint to protect the umbrella.
- The umbrella frame will not be well protected once the coating comes off (e.g., rust). To repair damaged frame, please repaint it to restore the protection.

**STORAGE**

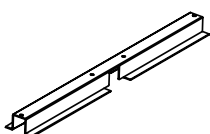
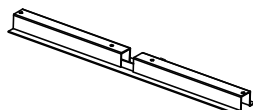
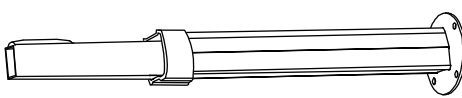
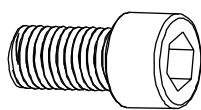

- We recommend that you close the umbrella when not in use and put a waterproof cover on it. Before putting the cover on, please make sure that your umbrella is completely dry and clean. During the off-season, store the covered umbrella in a cool and dry place indoors.

**DISPOSAL**

- If you wish to dispose of the umbrella, do not throw it in the trash. For safety and environmental purposes, please take the umbrella to a recycling center for proper disposal.

This product is covered by U.S. Patent No. 8,104,492.

## PARTS LIST

001 	002 
Qty: 1	Qty: 1
003 	
Qty:1	
004 	005 
M8 Qty:8	Ø 8 Qty:8

## PARTS LIST

006



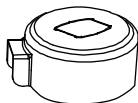
Qty:1

007



Qty:1

008



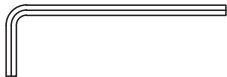
Qty:1

09



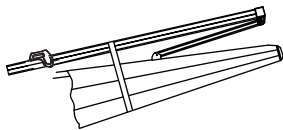
Qty:1

010



Qty:1

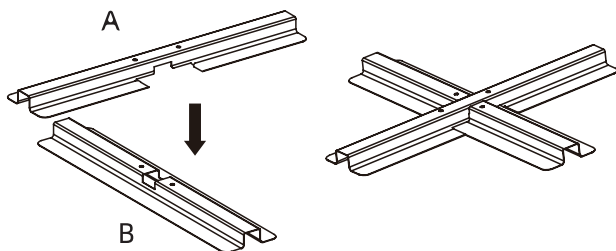
011



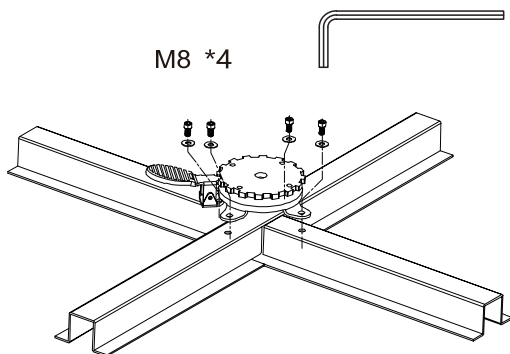
Qty:1

# 1

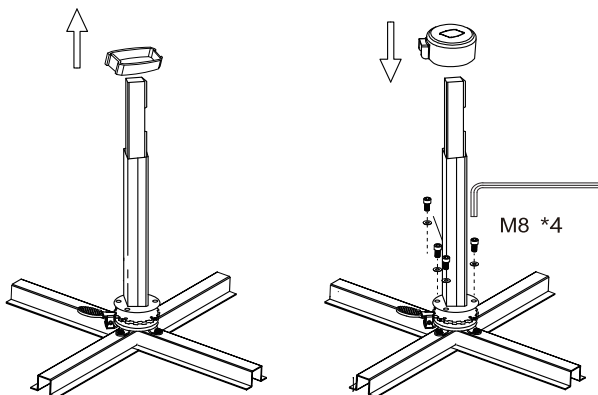
Need Help with Assembling?  
Please text "Video" to (888) 928-8463  
to get your video instruction.



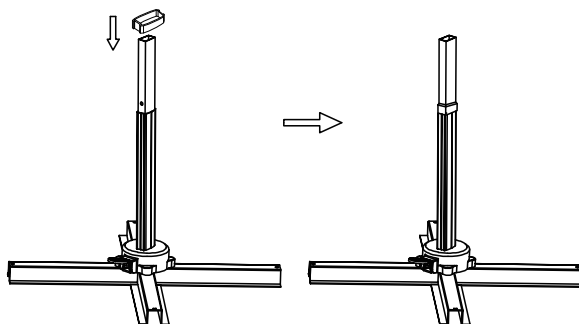
# 2



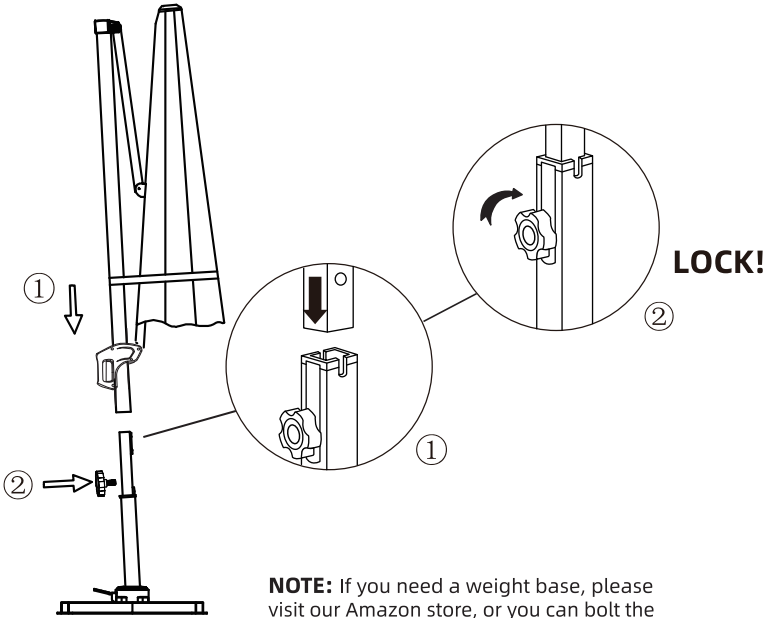
3



4

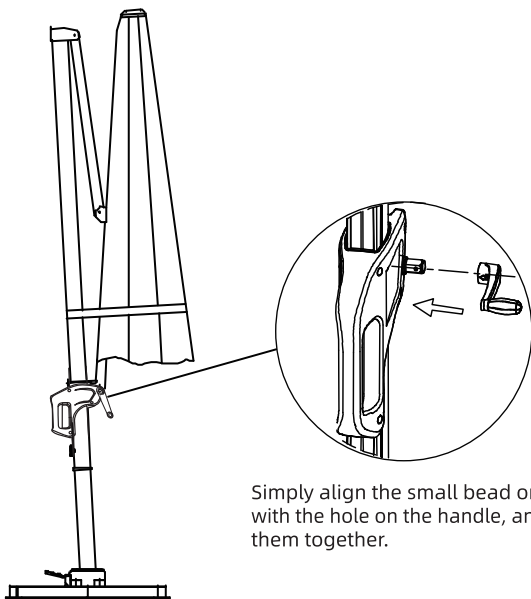


# 5



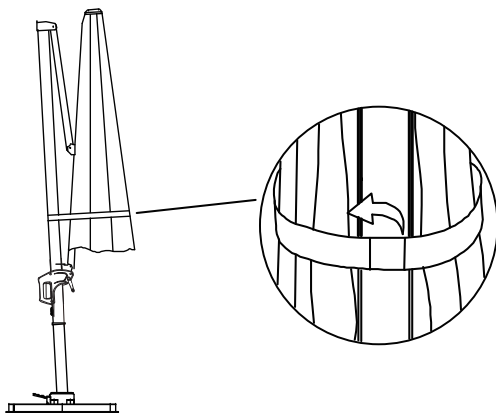


# 6

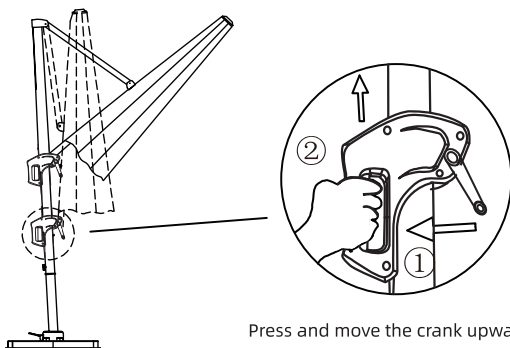


# To Open the Umbrella

# 1

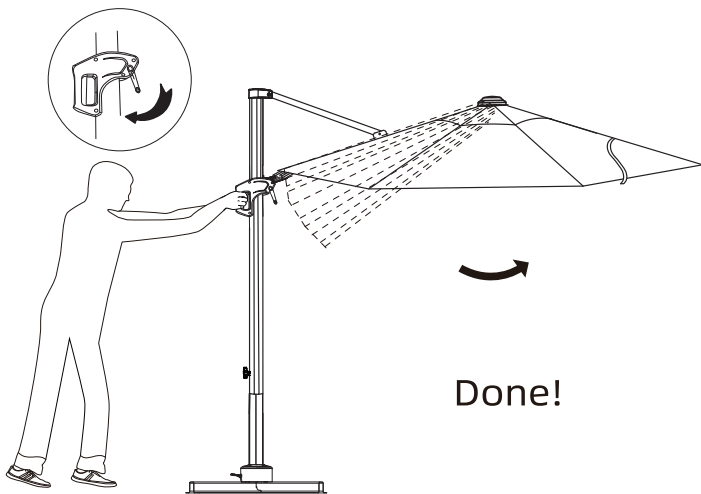


# 2

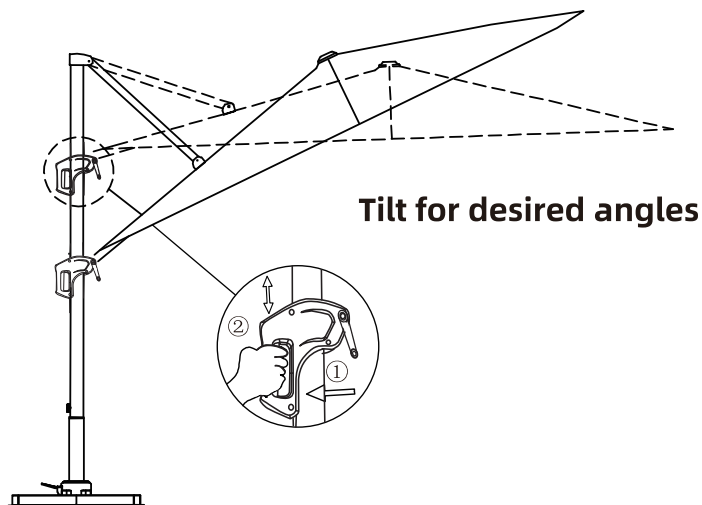


Press and move the crank upward.

# 3



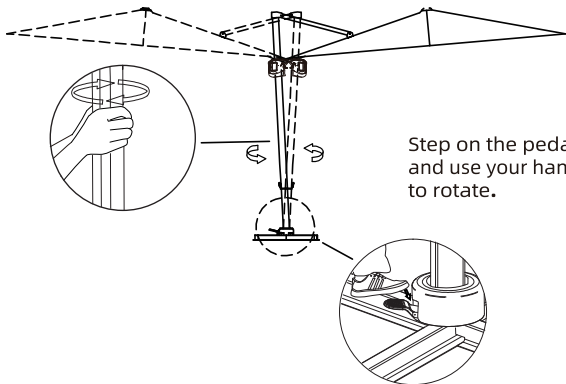
## To Tilt the Umbrella



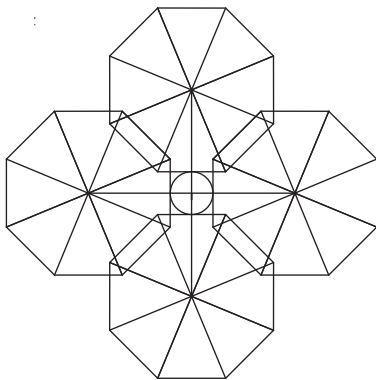
**Caution:** Avoid fully tilting in windy conditions.

# To Rotate the Umbrella

1



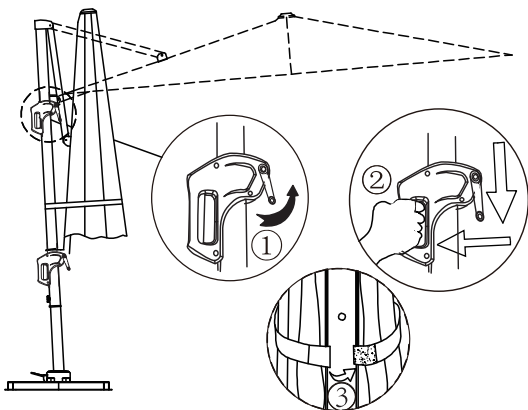
2



Swivel for 360 degrees

# To Close the Umbrella

1



2



**Done!**

To further protect the umbrella, you may purchase an umbrella cover at our Amazon store.

# WARRANTY

Olilawn offers a 1-year basic warranty on the ENTIRE UMBRELLA from the date of purchase against defects in material and workmanship. During this period Viney will repair or replace, at our discretion, the defective component.

This warranty does not apply to improperly installed, handled, abused, damaged by user error, nor to any unit which has been repaired or altered by unauthorized repair companies.

Under no circumstances will the customer entitled warranty to consequential or incidental damages. This limited 1-year basic warranty will only grant customers certain legal rights; customers may have other rights according to different state laws.

# THANK YOU FOR SHOPPING WITH US!

If you have any questions, or need assistance with use, parts, or customer service, please send Emails to [support@olilawn.com](mailto:support@olilawn.com). To help us identify your order, please include your number. Our professional team will be there to assist you.

Join our membership and receive access to Exclusive Discounts and Product Launch Checklist, Email “Member” to [hello@olilawn.com](mailto:hello@olilawn.com).

🌐 **Website**  
[www.olilawn.com](http://www.olilawn.com)

✉ **Contact**  
[support@olilawn.com](mailto:support@olilawn.com)

📍 **Address**  
Room 1003, No.209, Baoyuan Road, Baoan District, Shenzhen

© **Copyright**  
Copyright © Shenzhen Xinfeng Innovation Technology Co., Limited

