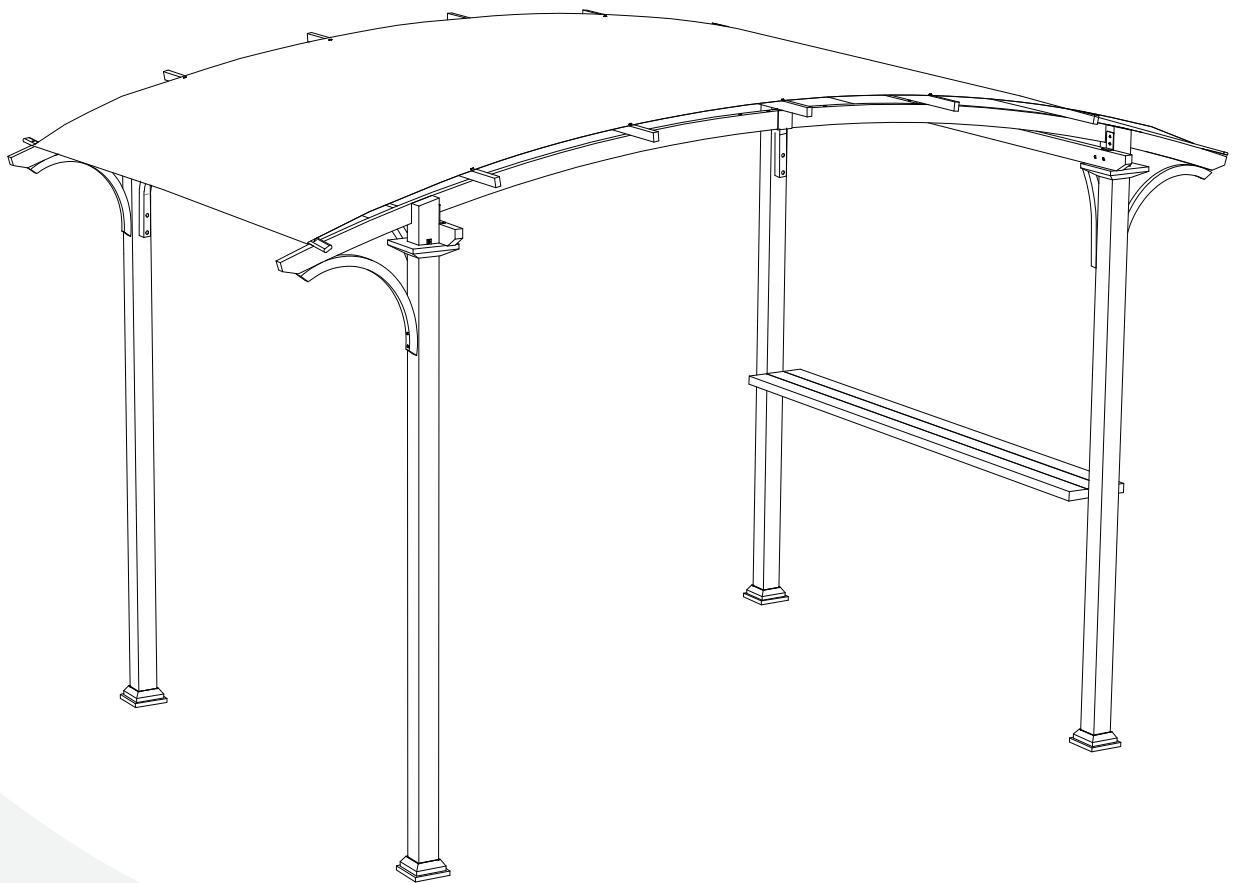




8.5' x 13'

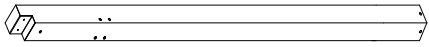
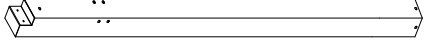
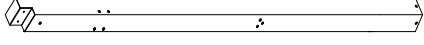
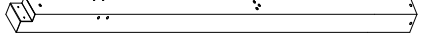
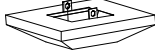

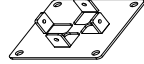


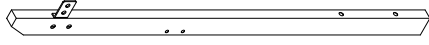
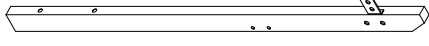

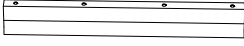
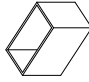


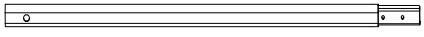
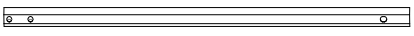
Pluto Arched Wood-like Steel Pergola with Canopy


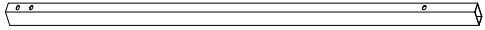
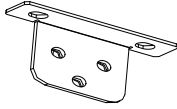

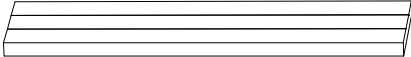


**Assembly
Manual**

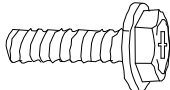
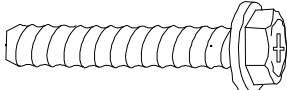
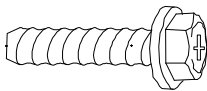
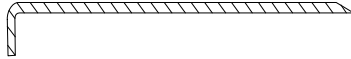

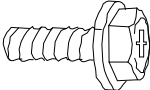
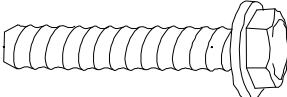



Part List

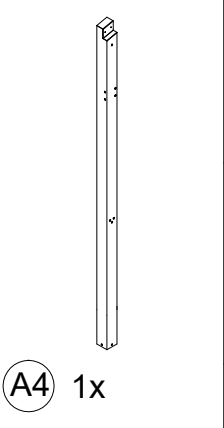
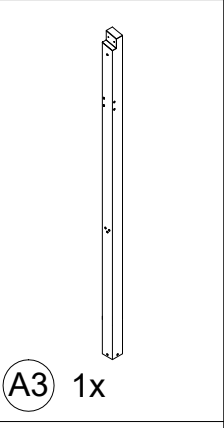
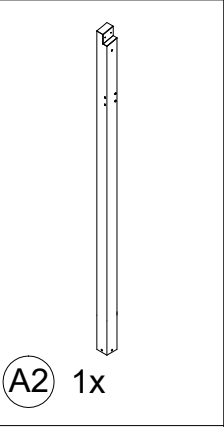
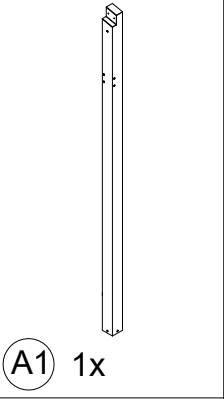
Description	Label	Qty	Part Image
Left Post	A1	1	
Right Post	A2	1	
Left mesa Post	A3	1	
Right mesa Post	A4	1	
Decoration on post	B	4	
Base Cover	C	4	
Base	D	4	
Long Arc beam	F1	2	
Short Arc beam	G1	2	
The left beam	H	2	
The right beam	I	2	
Arc beam connector	J	2	
Cross beam connector	K	2	
Beam card set	K1	2	
Arc edge oblique support	P	4	
Straight edge diagonal support	P1	4	
Long roof beam	M3	2	
Short roof beam	M4	2	

Long roof beam	N1	5	
Short roof beam	N2	5	
table board connector	U	2	
Canopy	W2	1	
mesa	T	1	

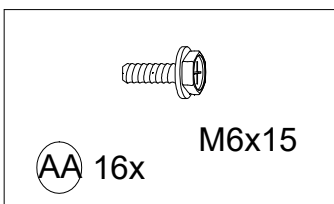
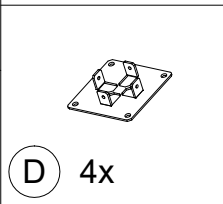
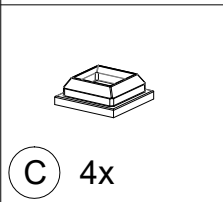
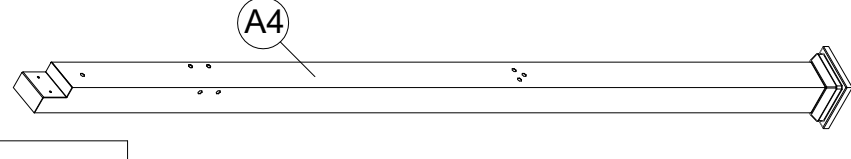
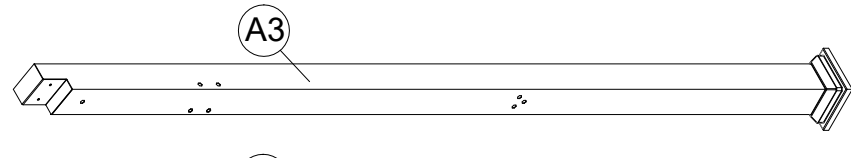
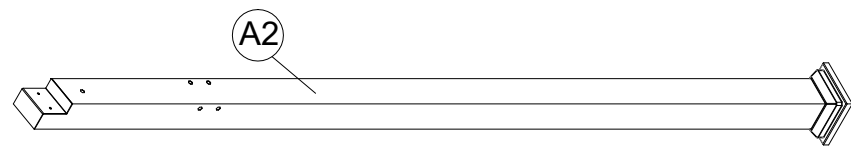
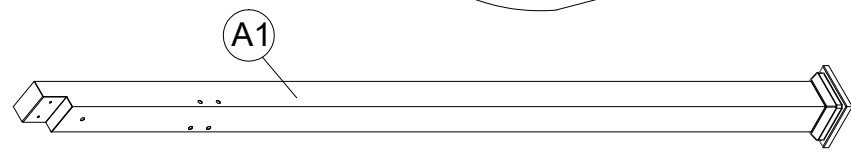
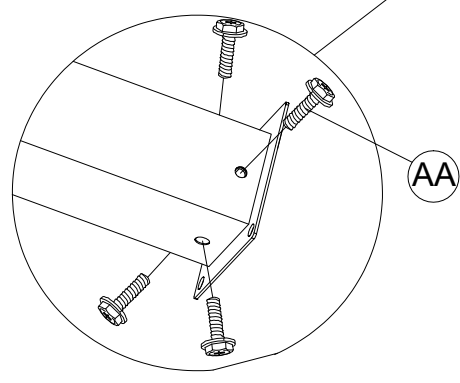
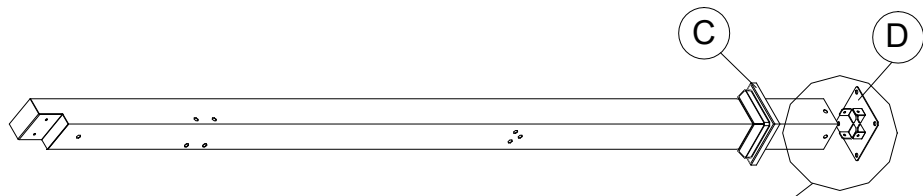
Hardware Pack

Label	Description	Qty	Add	Part Image
AA	Hexagon cross bolt M6*15	68	5	
CC	Hexagon cross bolt M6*45	26	2	
DD	Hexagon cross bolt M6*25	4	1	
FF	Stake D6*230	8		
HH	The plastic cap	32	4	
JJ	Hexagon cross bolt M6*10	4	1	
KK	Bolt M6*45	32	2	
Z1	Wrench M6	2		

<1>



1



<2>



H 2x



I 2x

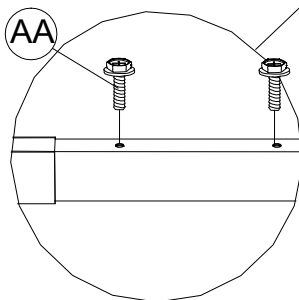
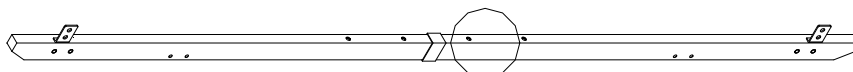
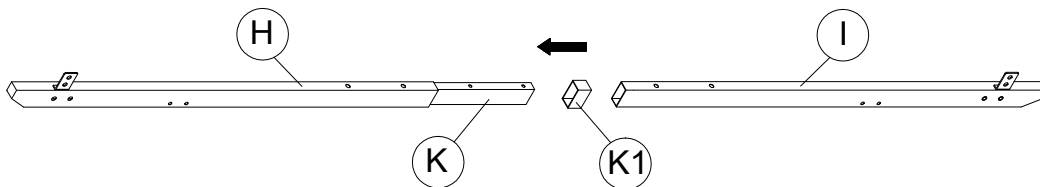
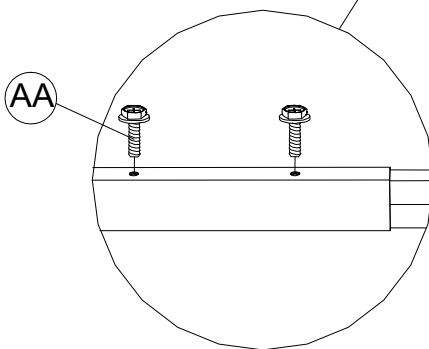
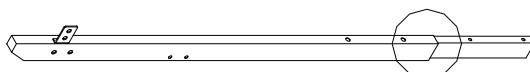
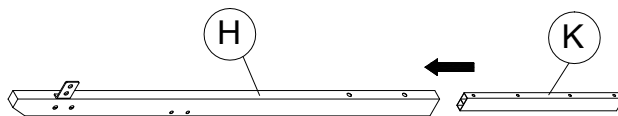


K 2x



K1 2x

2



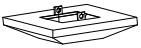
AA 8x

M6x15

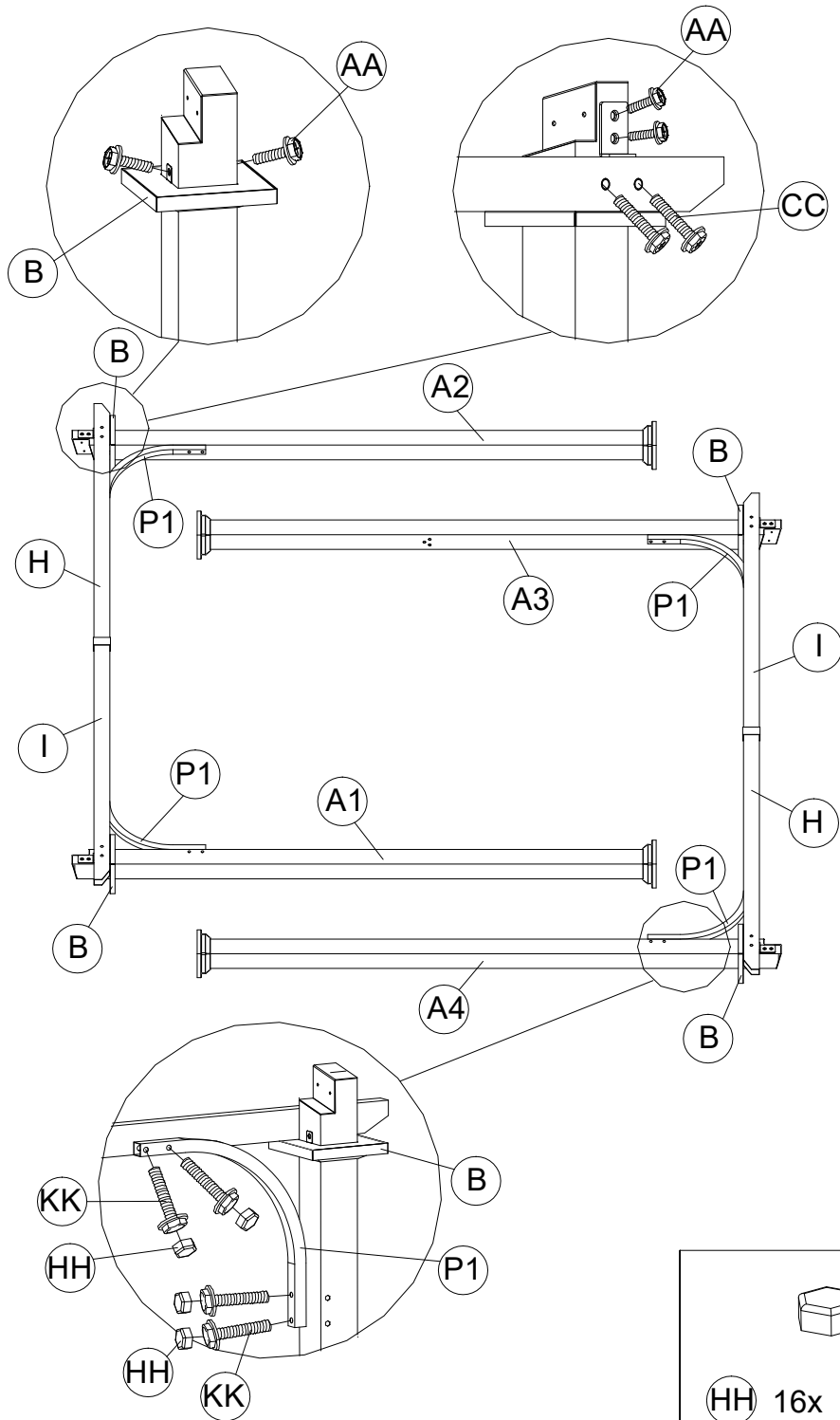
<3>



P1 4x

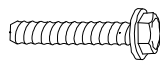


B 4x



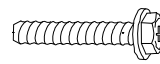
M6

HH 16x



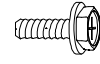
M6x45

KK 16x



M6x45

CC 8x



M6x15

AA 16x

3

<4>



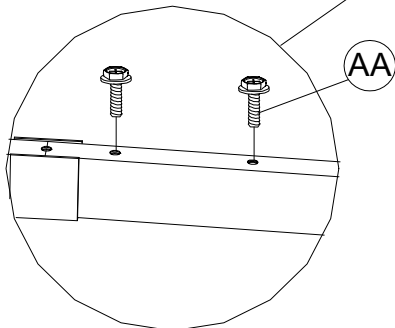
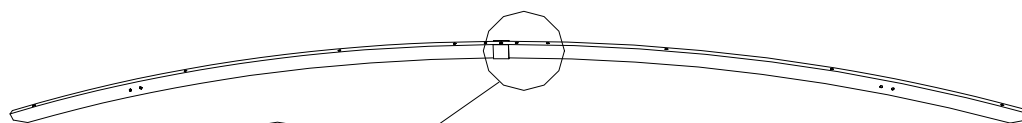
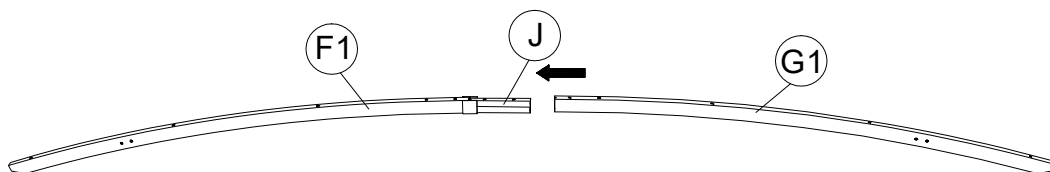
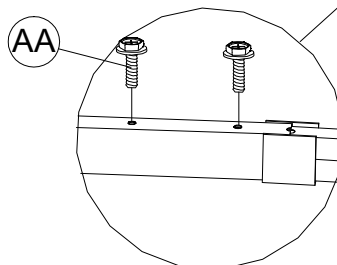
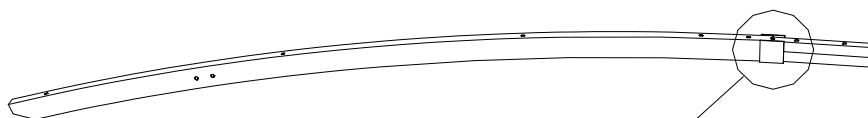
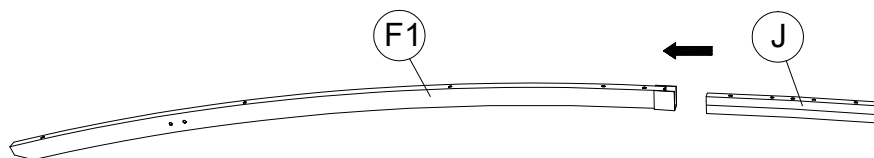
F1 2x



G1 2x



J 2x



4



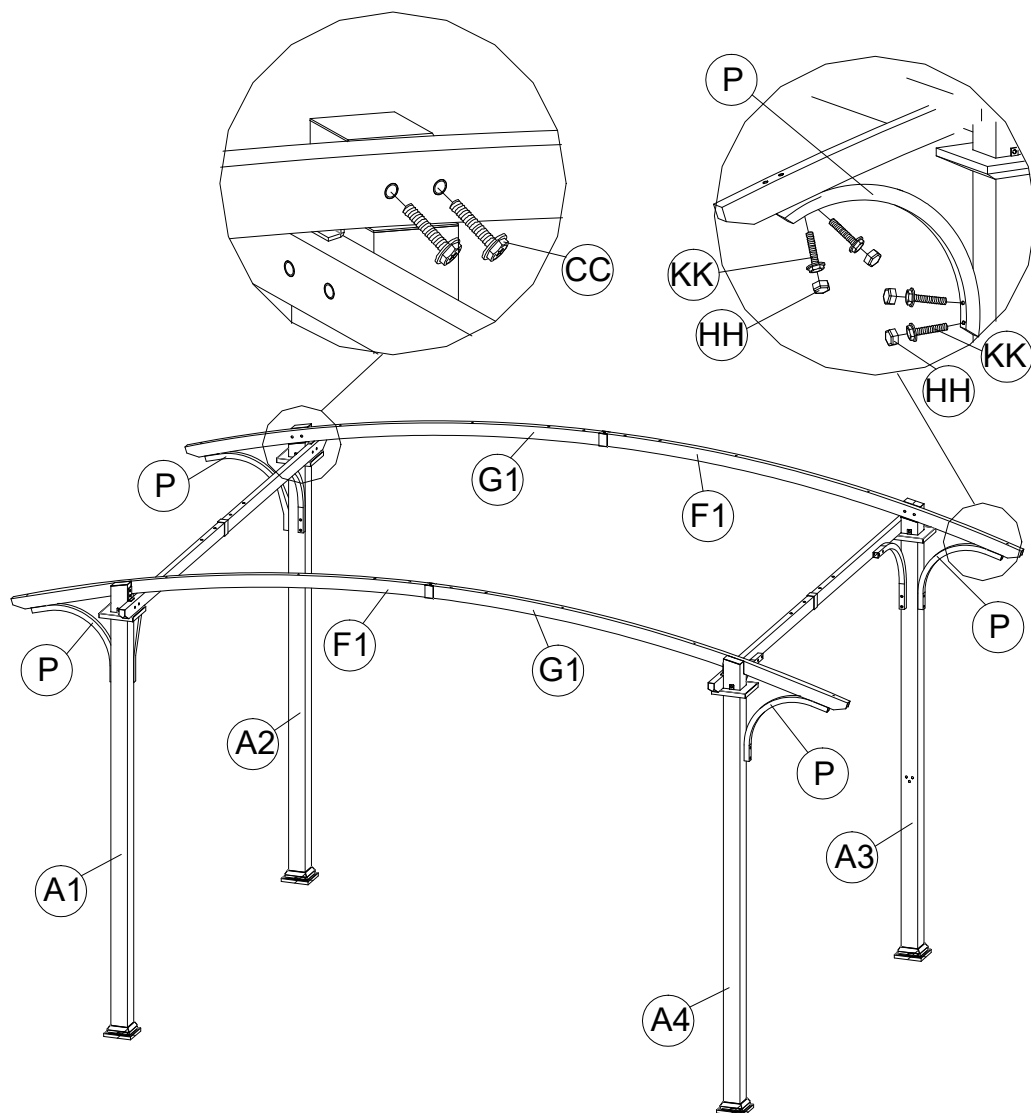
AA 8x

M6x15



P 4x

<5>

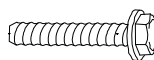


5



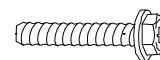
M6

HH 16x



M6x45

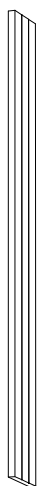
KK 16x



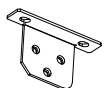
M6x45

CC 8x

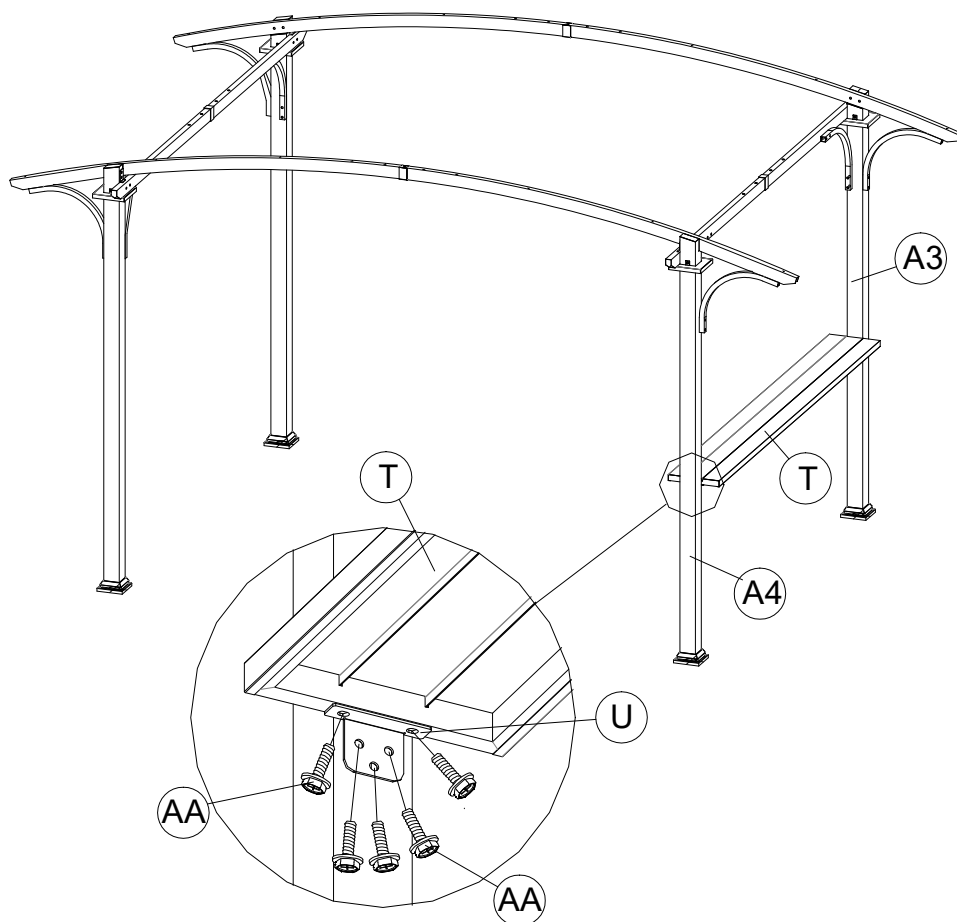
<6>



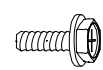
T 1x



U 2x



6



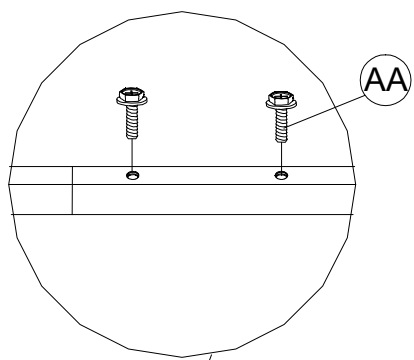
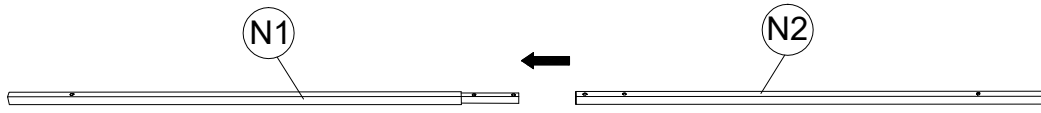
AA 10x M6x15

<7>

(N1) 5x



(N2) 5x



(N1)

(N2)

7



(AA) 10x

M6x15

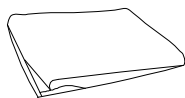
<8>



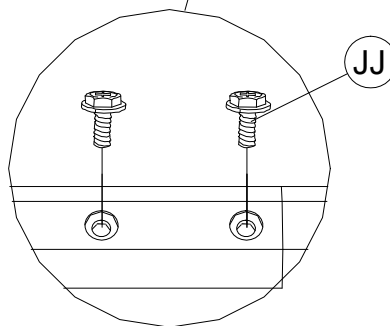
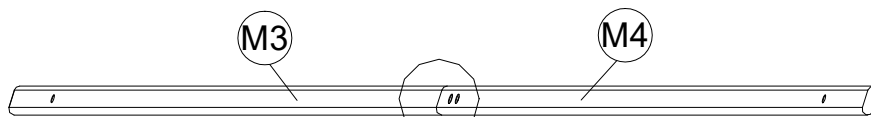
M3 2x



M4 2x



W2 1x



After the tubes are assembled, they are run in from both ends of the cloth.

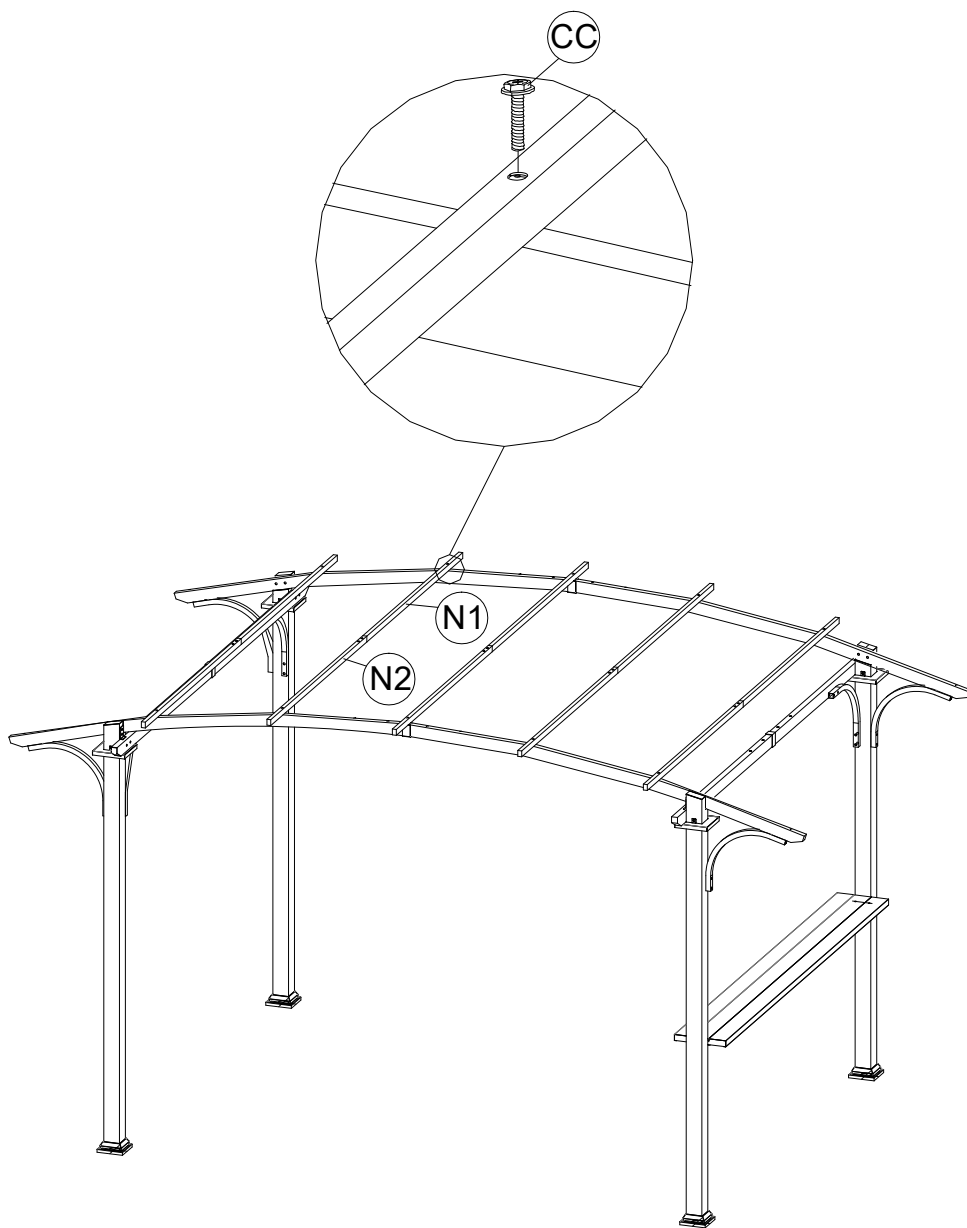
8



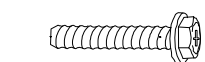
M6x10

JJ 4x

<9>



9

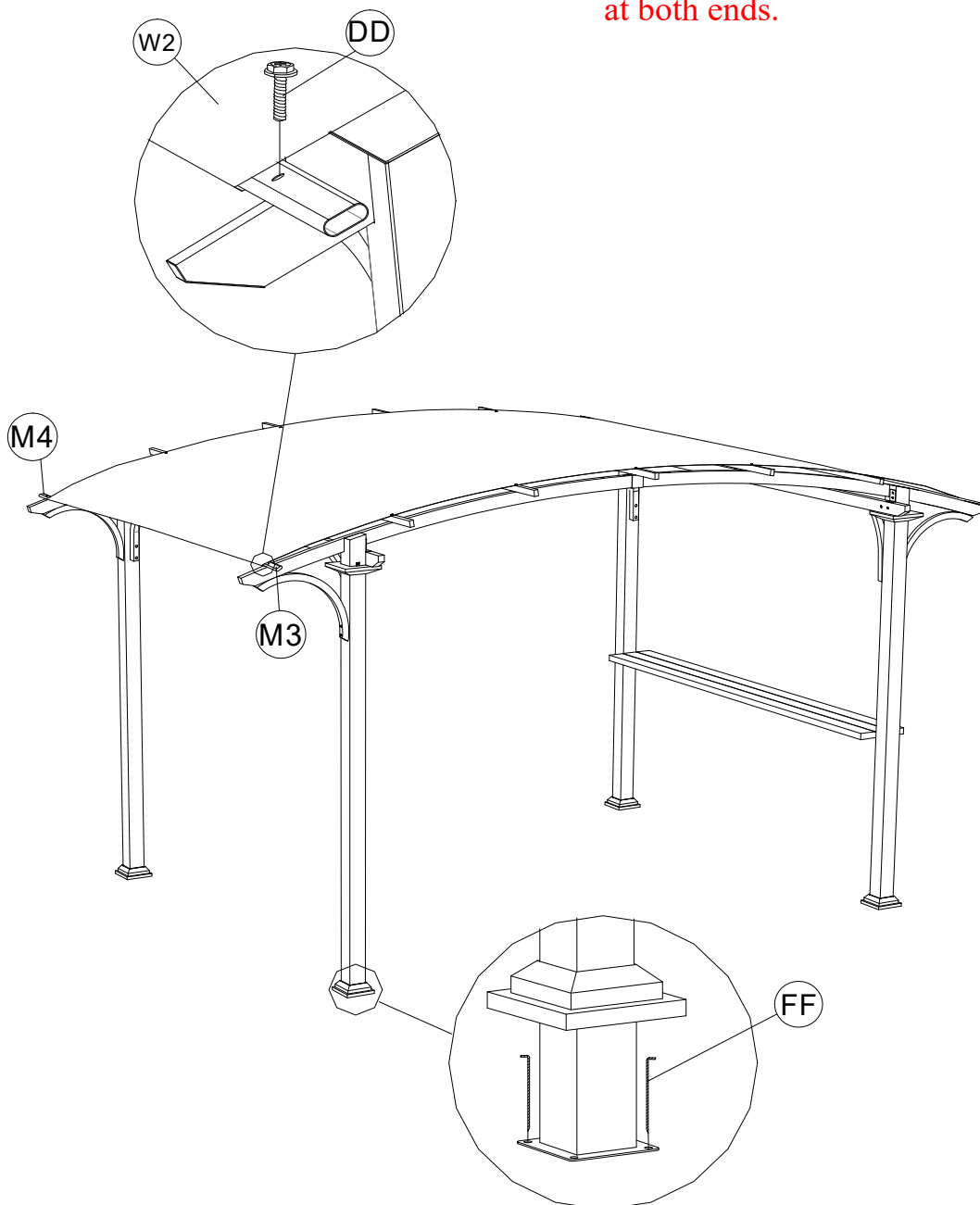


M6x45

CC 10x

<10>

Unroll the cloth, flatten it and tighten the screws at both ends.

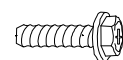


10

FF 8x

D6x230

DD 4x



M6x25



 **Website**
www.oilawn.com

 **Contact**
support@oilawn.com

 **Address**
Room 1003, No.209, Baoyuan Road, Baoan District, Shenzhen

 **Copyright**
Copyright © Shenzhen Xinfeng Innovation Technology Co., Limited

