

SUPER

Z

OWNER'S GUIDE



marzocchi

TABLE OF CONTENTS

ENGLISH	3
FRANÇAIS	15
ITALIANO	27
DEUTSCH	39
ESPAÑOL	51
PORTUGUESE	63
中文	75

CONGRATULATIONS!

Thank you for choosing a Marzocchi suspension product for your bicycle. Marzocchi suspension products are designed and tested by the finest professionals in the industry, in Santa Cruz County, California, USA. Follow the guidelines and instructions provided in this owner's guide, so that you are able to properly set up, use, and maintain your new Marzocchi product.

More information and videos are available at www.Marzocchi.com, or call Marzocchi US at 1.800.369.7469, or contact an Authorized International Marzocchi Service Center at www.Marzocchi.com. If access to the Internet is not available to you, contact Marzocchi to order a paper copy of the online Marzocchi owner's manual for your product, free of charge.

WARNING AND SAFETY INFORMATION

Marzocchi products should be installed by a professional bicycle service technician, in accordance with Marzocchi installation specifications. Improperly installed forks can fail, causing the rider to lose control resulting in SEVERE INJURY OR DEATH.

Modification or alteration of a Marzocchi product can cause product failure resulting in SEVERE INJURY OR DEATH. Never modify or alter ANY part of a Marzocchi product (including coil springs, lower leg cross brace, crown, steerer, upper tubes, lower leg, air can, seat post, air volume spacers, internals, axle slit shims, axle adapters, or any other parts).

Marzocchi bicycle suspension products may also be used on Class 1 (USA Designation) and L1e-A (EU designation) electric bicycles.

Marzocchi E-BIKE+ suspension products may be used on Class 3 (USA designation) and L1e-B (EU designation) electric bicycles.

DO NOT use any Marzocchi bicycle suspension products on any pedal-assisted motorized cycle or motorized vehicle that exceeds a max assisted speed of 32 km/h (20 mph) or a max system weight of 140 Kg (308 lb).

DO NOT use any Marzocchi E-BIKE+ suspension products on any pedal-assisted motorized cycle or motorized vehicle that exceeds a max assisted speed of 45 km/h (28 mph) or a max system weight of 169 Kg (372 lb). DO NOT use any Marzocchi bicycle suspension product on any throttle-equipped motorized vehicle.

Misuse of Marzocchi suspension products may cause the suspension to fail, resulting in property damage or SERIOUS INJURY OR DEATH, and void the warranty.

DO NOT use Marzocchi bicycle suspension products on any vehicle carrying more than one operator or rider, such as a tandem bicycle or heavy utility bicycle.

Do not remove or replace the steerer tube. This could result in the loss of control of the bicycle and SEVERE INJURY OR DEATH.

Never attempt to remove or replace the steerer or upper tubes independently from the crown. Modifying the integrated crown, steerer, or upper tubes can cause an assembly failure, resulting in a loss of control of the bicycle and SEVERE INJURY OR DEATH.

Do not cut the steerer more than three (3) mm below the uppermost installed part. If the steerer length is mistakenly cut too short, it **MUST BE REPLACED!** Using a fork with clamped steerer engagement that is too short can lead to sudden fork failure, which can cause loss of control of the bicycle resulting in SEVERE INJURY OR DEATH.

If the steerer tube has any nicks or gouges that can be felt with your fingernail, the crown/steerer tube assembly must be replaced. A nick or gouge can cause the steerer tube to fail, resulting in a loss of control of the bicycle and SEVERE INJURY OR DEATH.

Never attempt to cut threads into the threadless steerers of Marzocchi forks. Cutting threads into a threadless steerer can cause the steerer tube to fail, resulting in a loss of control of the bicycle and SEVERE INJURY OR DEATH.

Never use more than 30 mm of height of steerer stem spacers under the steerer stem, as this condition can cause the steerer tube to fail, causing a loss of control resulting in SEVERE INJURY OR DEATH.

Never allow things such as cable or cable housing to come in contact with the steer tube of a fork. If your bike has internal cable and cable housing routing, please consult your bicycle manufacturer's owner's guide for safety instructions. Cable and/or cable housing that comes in contact with a steer tube can cause the steerer tube to fail, resulting in a loss of control of the bicycle and SEVERE INJURY OR DEATH.

Cable housing contacting the fork crown will cause abrasion damage to the crown over time. If contact is unavoidable, use vinyl tape or similar protection to cover the point of contact. The Marzocchi warranty does not cover abrasion damage to the Marzocchi fork crown.

Improper service, or use of non-Marzocchi replacement parts with Marzocchi forks may cause the product to malfunction, resulting in SEVERE INJURY OR DEATH.

As dirt and debris can accumulate between the fork axle openings, always check and clean these areas before installing the wheel. Improper hub and axle installation can result in SEVERE INJURY OR DEATH.

Never use a power washer to clean your Marzocchi product.

If your fork loses oil, tops or bottoms out excessively, or makes unusual noises, do not ride the fork and immediately contact Marzocchi or an Authorized Marzocchi Service Center for an inspection or repair service.

Follow your brake manufacturer's installation instructions for proper installation and adjustment of the brake system. Failure to properly install and adjust your brakes can lead to a loss of control of the bicycle, which can result in SEVERE INJURY OR DEATH.

Your fork may fail under conditions that cause bending and/or breaking to any part of the fork. Any condition

that causes a loss of air and/or oil, such as a collision or extended periods of non-use, may also cause your fork to fail. A damaged and/or leaking fork can fail, resulting in a crash and SEVERE INJURY OR DEATH. If you suspect your fork has been damaged, stop riding immediately and contact Marzocchi for inspection and repair.

A fork-mounted carrier may cause damage to the fork legs and/or dropouts, especially in cases where the fork is side-loaded and/or when the rear wheel is not secured in the carrier. Damaged fork legs and/or dropouts can fail, resulting in a crash and SEVERE INJURY OR DEATH. If you suspect your fork has been damaged, contact Marzocchi for inspection and repair.

FORK INSTALLATION

1. Remove the existing fork from the bicycle. Remove the crown race from the old fork. Measure the steerer tube length of the old fork and transfer this measurement to your new Marzocchi fork's steerer tube. If you don't have an existing fork, measure the headset stack height (headset parts and frame head tube) and refer to your stem manufacturer's instructions to be sure there will be enough clamping surface for the stem.
2. Cut the steerer tube to the proper length. Mark the steerer tube and cut it to the proper length.

WARNING

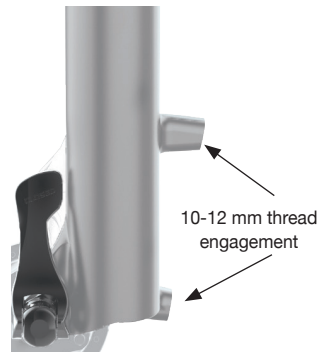
Prior to any cutting, consult your headset and stem manufacturer's instructions to ensure that you have enough steerer tube length for clamping the steerer and stem. Improper installation can lead to a separation of the stem from the steerer, resulting in a loss of control of the bicycle and SEVERE INJURY OR DEATH.

3. Install the headset. Always use a new threadless headset and follow the headset manufacturer's instructions.
4. Install a 39.8 mm crown race for 1 1/2 in. steerer tubes. Use a crown race setter to install the crown race firmly against the top of the crown.
5. Use a star-fangled nut installation tool to install the star nut 4-10 mm below the top of the steer tube.
6. Install the fork onto the bicycle. Install the headset bearing parts and stem in accordance with the headset manufacturer's instructions, and adjust the headset preload accordingly until you feel no excessive play or bearing drag. Tighten the stem clamping bolts to the stem manufacturer's torque specifications.
7. Install the brakes according to the brake manufacturer's instructions. Maximum rotor size for Super Z is 230 mm.

WARNING

The disc brake caliper mounting bolts must have 10-12 mm of thread engagement with the fork. Use a torque wrench to tighten the caliper mounting bolts to the disc brake manufacturer's specification, but do not exceed 10.2 N·m (90 in-lb). Improper installation can lead to brake failure, resulting in a loss of control of the bicycle and SEVERE INJURY OR DEATH.

8. Route the front disc brake hose or cable housing to the inside of the lower leg, and through the supplied disc brake housing guide. Use a torque wrench to tighten the disc brake hose guide screw to 0.9 N·m (8 in-lb).

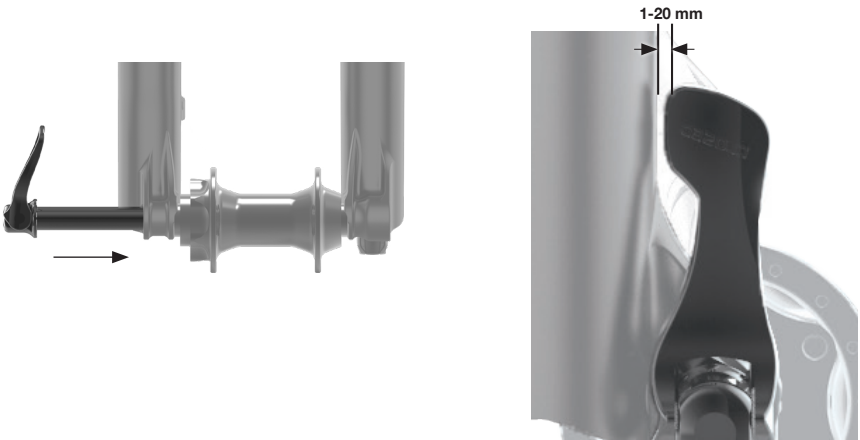


15 MM QUICK RELEASE INSTALLATION

1. Install the front wheel into the fork dropouts. Slide the axle through the drive side dropout and hub.
2. Open the axle lever.
3. Turn the axle clockwise 5-6 complete turns.
4. Close the lever. The lever **must** have enough tension to leave an imprint on your hand
5. The closed lever must be between 1-20 mm in front of the fork leg. If the lever does not have enough tension, or has too much tension when closed at the recommended position (1-20 mm in front of the fork leg), refer to the next section for adjustment instructions.

WARNING

Use hand pressure only. Never use any tool to tighten the quick release lever. Over-tightening the levers can damage the axle or fork dropouts, leading to a sudden failure with one or more of these components, resulting in SEVERE INJURY OR DEATH. Conversely, failure to secure the axle properly, including insufficient tension upon closing, can cause the wheel to become detached from the bicycle, resulting in SEVERE INJURY OR DEATH.

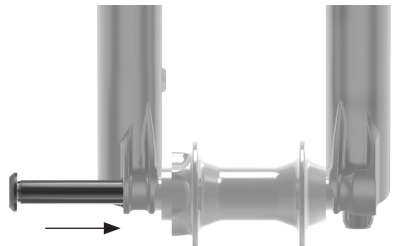


LEVER POSITION ADJUSTMENT

1. Note which direction the axle lever needs to turn to close with sufficient tension in the proper orientation (1-20 mm in front of the fork leg).
2. Open the axle lever and unthread the axle from the fork.
3. Use a 4 mm hex wrench in the end of the axle to adjust the lever position in the direction noted in Step 1. With the 4 mm adjuster set properly, you should start to feel tension in the axle when the QR lever is 90 degrees before full closure in the vertical position.
4. Repeat the axle installation instructions to verify proper installation and adjustment.

KABOLT INSTALLATION

1. Install the front wheel into the fork dropouts. Slide the Kabolt axle through the drive side dropout and hub.
2. Use a 6 mm hex wrench to torque the Kabolt axle clockwise to the torque specification etched on the head of the Kabolt.



TIRE CLEARANCE TEST

1. Release all air pressure from the fork by depressing the Schrader valve.

⚠ WARNING

Marzocchi forks may contain high air pressures. Release ALL air pressure from the main air chamber before disassembly. Failure to do so may result in parts or fluids ejecting from the fork, which can cause SEVERE INJURY OR DEATH.

2. Compress the fork completely.
3. Measure the distance from the edges of the inflated tire to the crown, fork brace, and steerer. There must be AT LEAST 8.5 mm of clearance around the entire tire.

⚠ WARNING

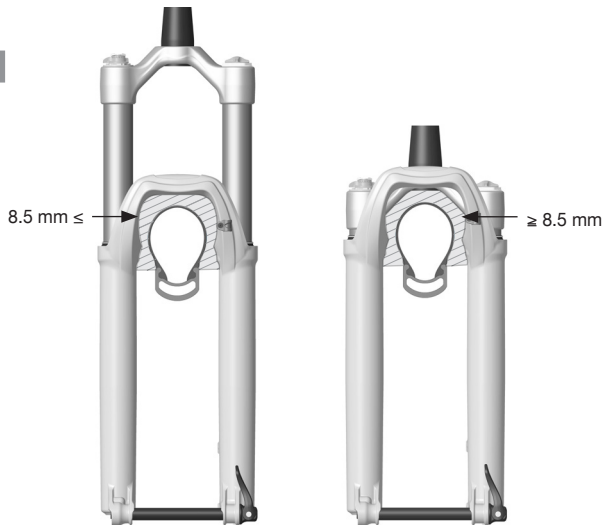
Failure to leave at least 8.5 mm of clearance between the edges of the inflated tire and the crown, fork brace, and steerer may cause the tire to jam against the crown when the fork is fully compressed, which can result in SEVERE INJURY OR DEATH.

4. Add air pressure to your desired setting using a high-pressure pump. Set the sag according to instructions online at www.Marzocchi.com.
5. You must repeat this test EVERY time you change tires or rims.

⚠ WARNING

Do not exceed maximum air pressure:
Super Z maximum air pressure is 120 psi.

Minimum air pressure is: 40 psi.
Pressure measured at an ambient temperature of 70-75°F. Normal operating temperature range for Marzocchi products is 20-140°F.



AIR SPRING VOLUME SPACERS

Changing volume spacers in Marzocchi Super Z forks is an easy internal adjustment that allows you to change the amount of mid stroke and bottom out resistance. If you have set your sag correctly and are using full travel (bottoming out) too easily, then you could install one or more spacers to increase bottom out resistance. If you are not using full travel, then you could remove one or more spacers to decrease bottom out resistance.

1. Remove the air cap.
2. Release all air pressure from the fork by depressing the Schrader valve.

WARNING

Marzocchi forks may contain high air pressures. Release ALL air pressure from the main air chamber before disassembly. Failure to do so may result in parts or fluids ejecting from the fork, which can cause SEVERE INJURY OR DEATH.

3. Carefully unthread the topcap from the fork with a 6-point chamfer-less 32 mm socket.
4. Pull up to remove the topcap assembly from the fork crown.
5. Slide the air volume spacer or spacers horizontally to install or remove them from the topcap.

WARNING

Do not exceed the maximum number of volume spacers for your fork. This can damage your fork. Find volume spacer information online at www.Marzocchi.com.

6. Reinstall the topcap assembly into the fork crown and tighten to 24.8 N·m (220 in-lb) with a 6-point chamfer-less 32 mm socket.
7. Add air pressure to your desired setting using a high-pressure pump. Set the sag according to instructions online at www.Marzocchi.com.


SAG SETTING

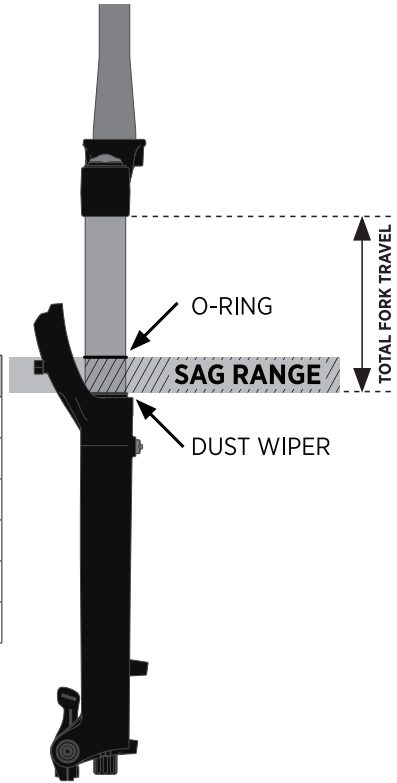
To achieve the best performance from your Marzocchi suspension, adjust the air pressure to attain your proper sag setting. Sag is the amount your suspension compresses under your weight and riding gear. Sag range should be set to 15–20% of total fork travel.

Make sure to set sag with the compression lever in the OPEN mode.

Watch the sag setup video at ridefox.com/sagsetup

Suggested Sag Measurements		
Travel	15% sag (Firm)	20% sag (Plush)
150 mm (5.9 in)	22 mm (.9 in)	30 mm (1.2 in)
160 mm (6.3 in)	24 mm (1.0 in)	32 mm (1.3 in)
170 mm (6.7 in)	26 mm (1.0 in)	34 mm (1.3 in)
180 mm (7 in)	27 mm (1.0 in)	36 mm (1.4 in)
190 mm (7.7 in)	28.5 mm (1.1 in)	38 mm (1.6 in)

 Do not exceed maximum air pressure:
Super Z maximum air pressure is 120 psi.



Suggested Starting Points for Setting Sag			
Rider Weight (lbs)	Rider Weight (kgs)	Super Z Pressure	Super Z Rebound Setting
120-130	54-59	54 psi (3.7 bar)	13
130-140	59-64	58 psi (4.0 bar)	12
140-150	64-68	62 psi (4.3 bar)	11
150-160	68-73	67 psi (4.6 bar)	10
160-170	73-77	71 psi (4.9 bar)	9
170-180	77-82	75 psi (5.2 bar)	8
180-190	82-86	79 psi (5.4 bar)	7
190-200	86-91	83 psi (5.7 bar)	6
200-210	91-95	87 psi (6.0 bar)	5
210-220	95-100	92 psi (6.3 bar)	4
220-230	100-104	96 psi (6.6 bar)	3
230-240	104-109	100 psi (6.9 bar)	2
240-250	109-113	104 psi (7.2 bar)	1

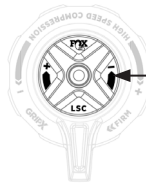
COMPRESSION ADJUSTMENT

GRIP X COMPRESSION ADJUST

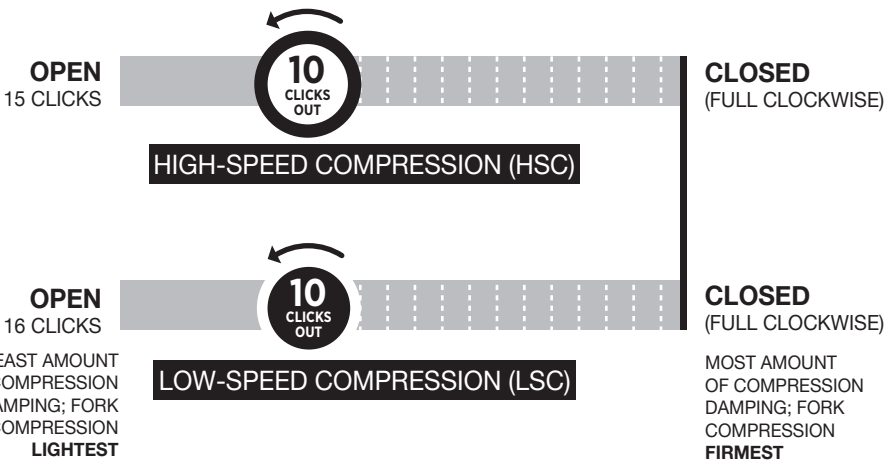
Use this diagram as a starting point for your compression adjusters. **Turn your compression adjusters to the closed position (full clockwise) until they stop. Then back them out (counter-clockwise) to the number of clicks shown below.**



High-speed compression adjustment is useful to control fork performance during bigger hits, landings, and square-edged bumps.

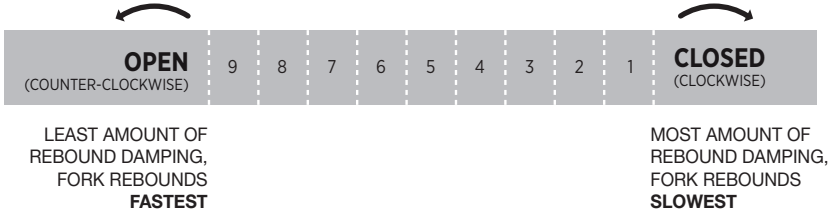


Low-speed compression adjustment is useful to control fork performance during rider weight shifts, G-outs, and other slow inputs.



REBOUND ADJUSTMENT

Rebound controls the rate of speed at which the fork extends after compressing. The rebound adjustment is dependent on the air pressure setting. For example, higher air pressures require slower rebound settings. Use your air pressure to find your rebound setting. The rebound adjuster is located underneath the damper-side fork leg.



GRIP X REBOUND



Turn your rebound knob to the closed position, clockwise until it stops. Then turn it counter-clockwise to the number of clicks shown in the table on page 9.

ADDITIONAL TUNING OPTIONS

CLIP-ON VOLUME SPACERS

Changing volume spacers in the Super Z fork is an easy internal adjustment that allows you to change the amount of mid stroke and bottom out resistance.

If you have set your sag correctly and are using full travel (bottoming out) too easily, then you could install one or more spacers to increase bottom out resistance.

If you have set your sag correctly and are not using full travel, then you could remove the spacer to decrease bottom out resistance.

Installation procedure and tuning options are available online at: ridefox.com/ownersmanuals

Super Z Volume Spacer Configurations		
Travel	Volume Spacers Factory Installed	*Max Volume Spacers
190 mm	0	4
180 mm	1	5
170 mm	2	6
160 mm	3	7
150 mm	4	8

SERVICE

Properly cleaning your Marzocchi product between rides, in addition to maintenance service scheduled at regular intervals, will help to reduce repair costs and extend product life.

For further service procedures information, visit www.Marzocchi.com, or contact Marzocchi US for complete maintenance service (1.800.369.7469).

Minimum Recommended Service Items	Before every ride	After every ride	Regularly	Every 125 hours or yearly, whichever comes first*
Inspect the entire exterior of your fork. The fork should not be used if any of the exterior parts appear to be damaged. Contact your local dealer or Marzocchi for repair.	X			
Check that quick-release levers and axles are properly adjusted and tightened.	X			
Check your headset adjustment. If loose, adjust it accordingly to your bicycle manufacturer's recommendations.	X			
Check that all brake cables or hoses are properly fastened. Test the proper operation of your front and rear brakes on level ground.	X			
Clean exterior with mild soap and water only, then wipe dry with a soft towel. Do not use a high-pressure washer or spray water directly at the seal.		X		
Check sag and damper settings. Inspect the controls for visual damage and function.			X	
Full service (full internal/external inspection, damper rebuild, air spring rebuild, bath oil and wiper replacement).				X

*For those who ride lift-accessed DH, Park, or Extreme Freeride or in extremely wet/muddy or dry/dusty environmental conditions where trail debris is sprayed onto the fork while on the trail, Marzocchi encourages riders to perform maintenance earlier than recommended above as needed. If you hear, see, or feel something unusual, stop riding immediately and contact a Marzocchi Authorized Service Center for proper servicing.

Marzocchi makes the following LIMITED WARRANTY with respect to its suspension products:

MARZOCCHI LIMITED WARRANTY

LIMITED ONE (1) YEAR WARRANTY ON SUSPENSION PRODUCTS

Subject to the limitations, terms and conditions hereof, Marzocchi warrants, to the original retail owner (consumer) of each new Marzocchi suspension product, that the Marzocchi suspension product, when new, is free from defects in materials and workmanship. This limited warranty expires one (1) year from the date of the original Marzocchi suspension product retail purchase from an authorized Marzocchi dealer or from a Marzocchi authorized Original Equipment Manufacturer where Marzocchi suspension is included as original equipment on a purchased vehicle.

TERMS OF WARRANTY

This limited warranty is conditioned on the Marzocchi suspension product being operated under normal conditions and properly maintained as specified by Marzocchi. This limited warranty is only applicable to Marzocchi suspension purchased new from an authorized Marzocchi source and is made only to the original retail owner (consumer) of the new Marzocchi suspension product and is not transferable to subsequent owners.

Should it be determined, by Marzocchi in its sole and final discretion, that a Marzocchi suspension product is covered by this limited warranty, it will be repaired or replaced, by a comparable model, at Marzocchi's sole option, which will be conclusive and binding. THIS IS THE EXCLUSIVE REMEDY UNDER THIS LIMITED WARRANTY. ANY AND ALL OTHER REMEDIES AND DAMAGES THAT MAY OTHERWISE BE APPLICABLE UNDER THIS LIMITED WARRANTY ARE EXCLUDED, INCLUDING, BUT NOT LIMITED TO, INCIDENTAL OR CONSEQUENTIAL DAMAGES OR PUNITIVE DAMAGES.

This limited warranty does not apply to normal wear and tear, malfunctions or failures that result from abuse, neglect, improper assembly, alteration or modification, improper or unauthorized repair or maintenance, crash, accident or collision, or other abnormal, excessive or improper use.

This limited warranty gives the consumer specific legal rights. The consumer may also have other legal rights under the applicable national laws which are not affected by this limited warranty. If it is determined by a court of competent jurisdiction that a certain provision of this limited warranty does not apply, such determination shall not affect any other provision of this limited warranty and all other provisions shall remain in effect.

THIS IS THE ONLY WARRANTY MADE BY MARZOCCHI ON ITS SUSPENSION PRODUCTS AND COMPONENTS, AND THERE ARE NO WARRANTIES WHICH EXTEND BEYOND THE DESCRIPTION HEREIN. ANY WARRANTIES THAT MAY OTHERWISE BE IMPLIED BY LAW INCLUDING, BUT NOT LIMITED TO, ANY IMPLIED WARRANTY OF MERCHANTABILITY OR FITNESS FOR A PARTICULAR PURPOSE ARE EXCLUDED.

This limited warranty shall be governed exclusively by the laws of the State of California.

For questions regarding this warranty or Marzocchi products please contact the US Customer Service Department at Marzocchi by calling 1-800-369-7469, or visiting www.Marzocchi.com.

When making a claim under this Limited Warranty you will be required to provide to an authorized Marzocchi Service Center:

1. The Product (or the affected part) and
2. A copy of the original proof of purchase, which clearly indicates the name and address of the seller, the date and place of purchase, the product part number and if utilized, a serial number. If Marzocchi products are sold as part of a complete bicycle, the bicycle brand, model, model year, and serial number should be included.

Marzocchi is a FOX Factory, Inc owned brand.

FÉLICITATIONS !

Nous vous remercions d'avoir choisi un produit de suspension Marzocchi pour votre vélo. Les produits de suspension Marzocchi sont conçus et testés par les professionnels les plus compétents dans ces domaines, dans la région de Santa Cruz en Californie, USA.

Suivez les conseils et les instructions fournis dans ce manuel technique afin d'apprendre à régler, utiliser et entretenir correctement votre nouveau produit Marzocchi.

Davantage d'informations et de vidéos sont disponibles sur le site www.Marzocchi.com. Vous pouvez aussi appeler Marzocchi US au USA au 1.800.369.7469 ou contacter un centre d'entretien international agréé Marzocchi sur www.Marzocchi.com. Si vous ne disposez pas d'un accès à Internet, contactez Marzocchi pour demander une copie papier gratuite du manuel électronique Marzocchi correspondant à votre produit.

AVERTISSEMENT ET CONSIGNES DE SÉCURITÉ

Les produits Marzocchi doivent être installés par un mécanicien vélo professionnel, conformément aux instructions d'installation de Marzocchi. Une fourche installée de manière inappropriée peut connaître une défaillance et entraîner la perte de contrôle du vélo ainsi que des BLESSURES GRAVES VOIRE MORTELLES.

Toute modification ou altération des produits Marzocchi peut entraîner leur défaillance ainsi que des BLESSURES GRAVES VOIRE MORTELLES. Ne tentez jamais de modifier ou d'altérer UNE pièce d'un produit Marzocchi (comme les ressorts hélicoïdaux, l'arceau des fourreaux, le té de la fourche, le tube pivot, les plongeurs, les fourreaux, la cartouche pneumatique, la tige de selle, les entretoises de volume pneumatique, les pièces internes, les cales fendues pour axe, les adaptateurs pour axe ou toute autre pièce).

Les produits de suspension pour vélo Marzocchi peuvent également être utilisés sur les vélos électriques de classe 1 (classification américaine) et L1e-A (classification européenne).

Les produits de suspension Marzocchi E-BIKE+ peuvent être utilisés sur les vélos électriques de classe 3 (classification américaine) et L1e-B (classification européenne).

N'utilisez JAMAIS les produits de suspension pour vélo Marzocchi sur des cycles équipés d'une assistance motorisée au pédalage ou sur des véhicules motorisés dont la vitesse maximale dépasse les 32 km/h (20 mph) ou dont le poids total maximal dépasse les 140 kg (308 lb).

N'utilisez JAMAIS les produits de suspension Marzocchi E-BIKE+ sur des cycles équipés d'une assistance motorisée au pédalage ou sur des véhicules motorisés dont la vitesse maximale dépasse les 45 km/h (28 mph) ou dont le poids total maximal dépasse les 169 kg (372 lb). N'utilisez JAMAIS des produits de suspension pour vélo Marzocchi sur des véhicules motorisés équipés d'un accélérateur.

Le fait d'utiliser les produits de suspension Marzocchi de manière inappropriée peut entraîner une défaillance de la suspension, des dommages matériels ainsi que des BLESSURES GRAVES VOIRE MORTELLES et peut également révoquer la garantie.

N'utilisez JAMAIS les produits de suspension pour vélo Marzocchi sur un véhicule permettant de transporter plus d'une personne, comme des tandems ou des vélos utilitaires.

Le tube pivot ne doit être ni retiré ni remplacé. Ceci pourrait entraîner la perte de contrôle du vélo ainsi que des BLESSURES GRAVES VOIRE MORTELLES.

Ne tentez jamais de retirer ou de remplacer le pivot de fourche ou les plongeurs indépendamment du té de la fourche. Toute modification du té intégré, du pivot de

fourche ou des plongeurs peut entraîner une défaillance de l'ensemble, la perte de contrôle du vélo ainsi que des BLESSURES GRAVES VOIRE MORTELLES.

Ne coupez pas le tube pivot à plus de trois (3) mm en dessous de la pièce la plus haute. Si le tube pivot est coupé trop court par erreur, il DOIT ÊTRE REMPLACÉ ! L'utilisation d'une fourche dont le tube pivot est insuffisamment engagé dans le collier peut entraîner la rupture soudaine de la fourche, ce qui peut entraîner une perte de contrôle du vélo, pouvant mener à des BLESSURES GRAVES VOIRE MORTELLES.

Si vous notez en y passant l'angle des éraflures ou des entailles sur le tube pivot, alors l'ensemble té/tube pivot doit être remplacé. Une éraflure ou une entaille sur le tube pivot peut entraîner sa défaillance, la perte de contrôle du vélo ainsi que des BLESSURES GRAVES VOIRE MORTELLES.

N'essayez jamais de fileter un tube pivot sur une fourche Marzocchi équipée d'un tube pivot sans filetage. Tarauder un filetage sur un pivot de fourche sans filetage peut entraîner sa défaillance, la perte de contrôle du vélo ainsi que des BLESSURES GRAVES VOIRE MORTELLES.

N'ajoutez jamais plus de 30 mm d'entretoises sur le pivot de fourche sous la potence, car cela peut entraîner une défaillance du tube pivot, la perte de contrôle du vélo ainsi que des BLESSURES GRAVES VOIRE MORTELLES.

Ne laissez jamais des objets tels qu'un câble ou une gaine de câble frotter contre le tube pivot d'une fourche. Si votre vélo présente des passages internes pour les câbles et les gaines de câbles, consultez les consignes de sécurité indiquées dans le guide de l'utilisateur fourni par le fabricant de votre vélo. Le frottement d'un câble et/ou d'une gaine de câble contre un tube pivot peut entraîner la défaillance du tube pivot, la perte de contrôle du vélo ainsi que des BLESSURES GRAVES VOIRE MORTELLES.

Une gaine de câble frottant contre le té de la fourche va progressivement endommager le té de la fourche par abrasion. Si le frottement ne peut être évité, protégez la surface du point de contact avec un ruban adhésif vinyl ou une protection similaire. La garantie Marzocchi ne couvre pas les dommages dus à l'abrasion sur le té de la fourche.

Un entretien inapproprié ou l'utilisation de pièces de rechange autres que Marzocchi sur une fourche Marzocchi peut entraîner le dysfonctionnement du produit ainsi que des BLESSURES GRAVES VOIRE MORTELLES.

De la poussière et des impuretés peuvent s'accumuler dans les pattes de la fourche au niveau de l'axe ; avant d'installer la roue, examinez toujours cette zone et nettoyez-la si nécessaire. Une installation inappropriée du moyeu ou de l'axe peut entraîner des BLESSURES GRAVES VOIRE MORTELLES.

Ne nettoyez jamais votre produit Marzocchi à l'aide d'un nettoyeur à haute-pression.

Si votre fourche perd de l'huile, talonne de manière excessive en compression ou en détente ou émet des bruits inhabituels, cessez immédiatement d'utiliser la fourche et contactez Marzocchi ou un Centre d'entretien agréé Marzocchi afin de la faire vérifier ou réparer.

Pour installer et régler correctement le système de freinage, suivez les instructions d'installation du fabricant de vos freins. Une installation et des réglages inappropriés des freins peuvent entraîner la perte de contrôle du vélo ainsi que des BLESSURES GRAVES VOIRE MORTELLES.

Votre fourche peut être endommagée à cause de certaines conditions entraînant la casse et/ou la déformation de certaines pièces de la fourche. Toute condition entraînant une fuite d'air et/ou d'huile, comme un choc ou de longues périodes d'inutilisation, peut

également être la cause d'une défaillance de votre fourche. Une fourche endommagée et/ou qui fuirait peut être défaillante et entraîner une chute ainsi que des BLESSURES GRAVES VOIRE MORTELLES. Si vous pensez que votre fourche a été endommagée, cessez immédiatement de l'utiliser et contactez Marzocchi pour la faire vérifier et réparer.

Un porte-vélo fixé à la fourche peut endommager les fourreaux et/ou les pattes de la fourche, notamment lorsque la fourche est chargée sur le côté et/ou lorsque la roue arrière n'est pas fixée au porte-vélo. Des fourreaux et/ou des pattes de fourche endommagés peuvent connaître une défaillance et entraîner une chute du cycliste ainsi que des BLESSURES GRAVES VOIRE MORTELLES. Si vous pensez que votre fourche a été endommagée, contactez Marzocchi pour la faire vérifier et réparer.

INSTALLATION DE LA FOURCHE

1. Retirez l'ancienne fourche du vélo. Retirez la bague de té de l'ancienne fourche. Mesurez la longueur du tube pivot de l'ancienne fourche puis reportez cette mesure sur le tube pivot de votre nouvelle fourche Marzocchi.

Si vous n'avez pas de fourche à mesurer, mesurez la hauteur du jeu de direction total (l'ensemble des pièces du jeu de direction avec le tube de direction du cadre) et consultez les instructions du fabricant de votre potence pour vérifier que la surface de serrage est suffisante pour la potence.

2. Coupez le tube pivot à la longueur appropriée. Faites une marque sur le tube pivot et coupez-le à la longueur appropriée.

AVERTISSEMENT

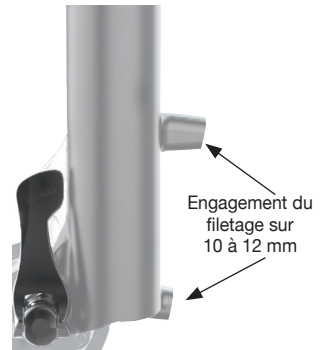
Avant de couper une pièce, consultez les instructions du fabricant de votre jeu de direction et de votre potence afin de vérifier que le tube pivot est assez long pour fixer la potence et le pivot de fourche. Une installation inappropriée peut entraîner le desserrage de la potence et du pivot de fourche, la perte de contrôle du vélo ainsi que DES BLESSURES GRAVES VOIRE MORTELLES.

3. Installez le jeu de direction. Utilisez toujours un jeu de direction sans filetage neuf et respectez les instructions du fabricant du jeu de direction.
4. Pour les tubes pivots de 1 1/2 po, installez une bague de té de 39,8 mm. À l'aide d'un outil de montage pour bague de té, installez parfaitement la bague du té contre le haut du té.
5. À l'aide d'un outil d'installation pour écrou en étoile, installez l'écrou en étoile de 4 à 10 mm en-dessous du haut du tube pivot.
6. Installez la fourche sur le vélo. Installez les roulements du jeu de direction et la potence conformément aux instructions du fabricant du jeu de direction puis réglez la précontrainte du jeu de direction comme indiqué jusqu'à ce qu'il n'y ait ni jeu ni frottement. Serrez les vis du collier de la potence en respectant les valeurs de couple recommandées par le fabricant de la potence.
7. Installez les freins conformément aux instructions de leur fabricant.
La taille maximale du disque de frein pour la Super Z est de 230 mm.

AVERTISSEMENT

Le filetage des vis de fixation de l'étrier de frein à disque doit être engagé sur au moins 10 à 12 mm dans la fourche. À l'aide d'une clé dynamométrique, serrez les vis de fixation de l'étrier en respectant les valeurs de couple recommandées par le fabricant des freins à disque sans dépasser 10,2 N·m (90 in-lb). Une installation inappropriée peut entraîner une défaillance des freins, la perte de contrôle du vélo ainsi que DES BLESSURES GRAVES VOIRE MORTELLES.

8. Faites passer la gaine du câble ou la durite du frein à disque avant le long de la face interne du fourreau et faites-la passer à travers le guide de gaine fourni avec les freins à disque. À l'aide d'une clé dynamométrique, serrez la vis du guide de la durite de frein à disque à un couple de 0,9 N·m (8 in-lb).



INSTALLATION DU BLOCAGE RAPIDE DE 15 MM

1. Installez la roue avant dans les pattes de la fourche. Insérez l'axe à travers la patte et le moyeu du côté de la chaîne.
2. Ouvrez le levier de l'axe.
3. Tournez l'axe dans le sens des aiguilles d'une montre de 5 à 6 tours complets.
4. Fermez le levier. Si le levier est suffisamment serré, il **doit** vous laisser une marque sur votre main
5. Le levier fermé doit se trouver entre 1 et 20 mm devant le fourreau de la fourche. Si le levier n'est pas suffisamment dur ou s'il est trop dur lorsque vous le mettez dans la position recommandée (entre 1 et 20 mm devant la fourche), reportez-vous au chapitre suivant pour prendre connaissance des instructions de réglage.

AVERTISSEMENT

Serrez uniquement à la main. N'utilisez jamais d'outil pour serrer le levier du blocage rapide. Un levier serré de manière excessive peut endommager l'axe ou les pattes de la fourche et entraîner la défaillance d'un ou de plusieurs composants ainsi que des BLESSURES GRAVES VOIRE MORTELLES. Inversement, si l'axe n'est pas correctement mis en place (par exemple s'il n'est pas assez serré une fois fermé), la roue peut se détacher du vélo, ce qui peut entraîner des BLESSURES GRAVES VOIRE MORTELLES.

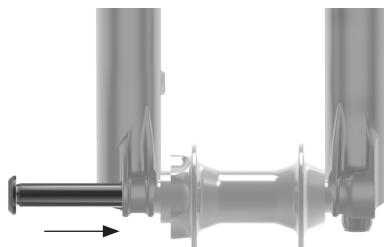


RÉGLAGE DE LA POSITION DU LEVIER

1. Notez dans quelle direction le levier de l'axe doit être tourné pour être rabattu dans la bonne position (entre 1 et 20 mm devant la fourche) et suffisamment serré.
2. Mettez le levier de l'axe en position ouverte et retirez l'axe de la fourche.
3. À l'aide d'une clé hexagonale de 4 mm insérée dans l'extrémité de l'axe, réglez la position du levier dans le sens indiqué à l'Étape 1. Une fois le réglage de 4 mm correctement positionné, vous devriez commencer à ressentir de la tension dans l'axe lorsque le levier du blocage rapide est incliné à 90 degrés avant sa fermeture complète en position verticale.
4. Reprenez les instructions d'installation de l'axe afin de vérifier que le système est correctement installé et réglé.

INSTALLATION DU KABOLT

1. Installez la roue avant dans les pattes de la fourche. Insérez l'axe Kabolt à travers la patte et le moyeu du côté de la chaîne.
2. À l'aide d'une clé hexagonale de 6 mm, serrez l'axe Kabolt dans le sens des aiguilles d'une montre à la valeur de couple gravée sur la tête du Kabolt.



TEST DE L'ESPACE LIBRE AUTOUR DU PNEU

1. Évacuez toute la pression pneumatique contenue dans la fourche en appuyant sur la valve Schrader.

⚠ AVERTISSEMENT

La pression pneumatique des fourches Marzocchi peut être très élevée. Évacuez TOUTE la pression pneumatique de la chambre pneumatique principale avant le démontage. Le fait de ne pas respecter ces instructions peut entraîner l'expulsion de pièces ou de liquide hors de la fourche ainsi que des BLESSURES GRAVES VOIRE MORTELLES.

2. Comprimez la fourche totalement.
3. Mesurez la distance entre les bords du pneu gonflé et le té, l'arceau de la fourche et le tube pivot. Il doit y avoir un espace libre d'AU MOINS 8,5 mm tout autour du pneu.

⚠ AVERTISSEMENT

S'il n'y a pas au moins 8,5 mm d'espace entre les bords du pneu gonflé et le té, l'arceau de la fourche et le tube pivot, il se peut que le pneu vienne toucher le té lorsque la fourche est totalement comprimée, ce qui peut provoquer des BLESSURES GRAVES VOIRE MORTELLES.

4. Augmentez la pression pneumatique jusqu'à obtenir le réglage souhaité à l'aide d'une pompe haute pression. Réglez le sag conformément aux instructions indiquées sur le site www.Marzocchi.com.
5. Vous devez réaliser ce test à CHAQUE fois que vous changez de pneu ou de jante.

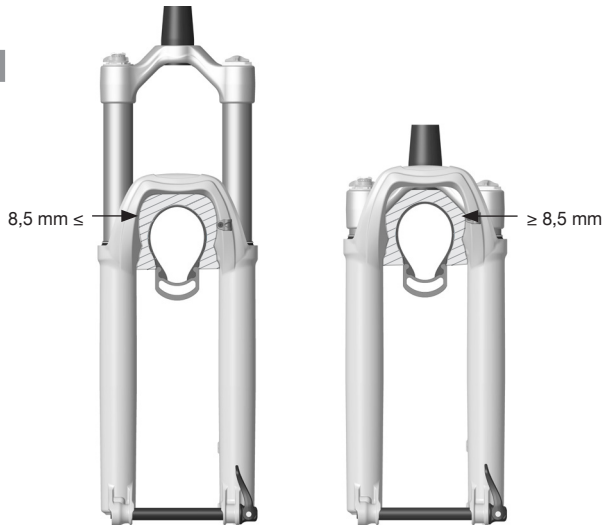
⚠ AVERTISSEMENT

Ne dépassez jamais la pression pneumatique maximale :

la pression pneumatique maximale de la Super Z est de 120 psi (8,3 bar).

La pression pneumatique minimale est de : 40 psi (2,8 bar).

Pression mesurée à une température ambiante comprise entre 21 et 24 °C (70 et 75 °F). La température de fonctionnement normal pour les produits Marzocchi est comprise entre -7 et 60 °C (20 et 140 °F).



ENTRETOISES DE VOLUME POUR LE RESSORT PNEUMATIQUE

Changer les entretoises de volume sur une fourche Marzocchi Super Z est une manipulation interne facile à réaliser qui vous permet de modifier la course d'amortissement sur sa partie intermédiaire ainsi que la résistance au talonnage. Si vous avez réglé votre sag correctement mais que vous utilisez trop facilement tout le débattement disponible (talonnage), alors vous pouvez installer une ou plusieurs entretoises pour augmenter la résistance au talonnage. Si vous n'utilisez pas tout le débattement disponible, alors vous pouvez retirer une ou plusieurs entretoises pour diminuer la résistance au talonnage.

1. Retirez le capuchon pneumatique.
2. Évacuez toute la pression pneumatique contenue dans la fourche en appuyant sur la valve Schrader.

AVERTISSEMENT

La pression pneumatique des fourches Marzocchi peut être très élevée. Évacuez TOUTE la pression pneumatique de la chambre pneumatique principale avant le démontage. Le fait de ne pas respecter ces instructions peut entraîner l'expulsion de pièces ou de liquide hors de la fourche ainsi que des BLESSURES GRAVES VOIRE MORTELLES.

3. Dévissez délicatement le capuchon supérieur de la fourche à l'aide d'une douille à 6 pans sans chanfrein de 32 mm.
4. Tirez l'ensemble du capuchon supérieur afin de le retirer du té de la fourche.
5. Faites coulisser horizontalement la ou les entretoises de volume pneumatique afin de les mettre en place ou de les retirer du capuchon supérieur.

AVERTISSEMENT

Ne dépassez pas le nombre maximal d'entretoises de volume recommandé pour votre fourche. Cela pourrait endommager votre fourche. Vous trouverez des informations concernant les entretoises de volume sur le site www.Marzocchi.com.

6. Réinstallez l'unité du capuchon supérieur dans le té de la fourche et, à l'aide d'une douille à 6 pans sans chanfrein de 32 mm, serrez-la à un couple de 24,8 N-m (220 in-lb).
7. Augmentez la pression pneumatique jusqu'à obtenir le réglage souhaité à l'aide d'une pompe haute pression. Réglez le sag conformément aux instructions indiquées sur le site www.Marzocchi.com.

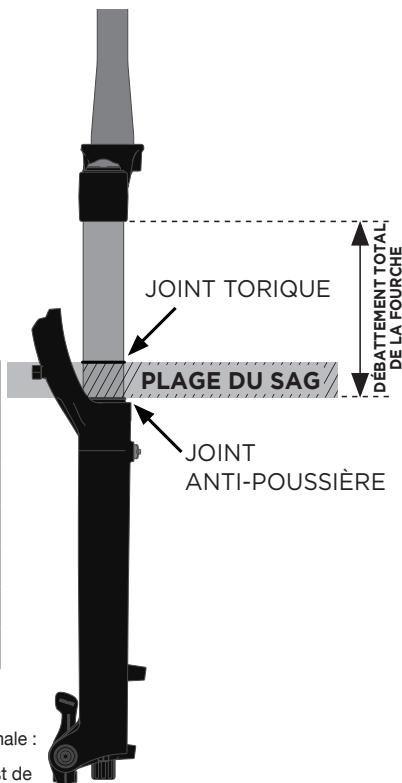
RÉGLAGE DU SAG

Pour garantir le fonctionnement optimal de votre suspension Marzocchi, réglez la pression pneumatique afin d'obtenir le réglage du sag qui vous convient. Le sag est le pourcentage de compression de la suspension sous le poids du cycliste et de son équipement. Le sag doit être compris entre 15 et 20 % **du débattement total de la fourche**.

Avant de régler le sag, vérifiez que le levier de la compression est en mode OPEN.

Une vidéo sur le réglage du sag est disponible sur le site ridefox.com/sagsetup

Mesures du sag conseillées		
Débattement	Sag de 15 % (ferme)	Sag de 20 % (souple)
150 mm (5,9 po)	22 mm (0,9 po)	30 mm (1,2 po)
160 mm (6,3 po)	24 mm (1,0 po)	32 mm (1,3 po)
170 mm (6,7 po)	26 mm (1,0 po)	34 mm (1,3 po)
180 mm (7 po)	27 mm (1,0 po)	36 mm (1,4 po)
190 mm (7,7 po)	28,5 mm (1,1 po)	38 mm (1,6 po)



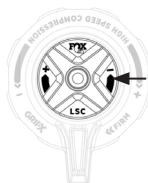
! Ne dépassez jamais la pression pneumatique maximale : la pression pneumatique maximale de la **Super Z** est de **120 psi (8,3 bar)**.

Points de départ conseillés pour le réglage du sag			
Poids du cycliste (lb)	Poids du cycliste (kg)	Pression Super Z	Réglage de la détente Super Z
120-130	54-59	3,7 bar (54 psi)	13
130-140	59-64	4,0 bar (58 psi)	12
140-150	64-68	4,3 bar (62 psi)	11
150-160	68-73	4,6 bar (67 psi)	10
160-170	73-77	4,9 bar (71 psi)	9
170-180	77-82	5,2 bar (75 psi)	8
180-190	82-86	5,4 bar (79 psi)	7
190-200	86-91	5,7 bar (83 psi)	6
200-210	91-95	6,0 bar (87 psi)	5
210-220	95-100	6,3 bar (92 psi)	4
220-230	100-104	6,6 bar (96 psi)	3
230-240	104-109	6,9 bar (100 psi)	2
240-250	109-113	7,2 bar (104 psi)	1

RÉGLAGE DE LA COMPRESSION

RÉGLAGE DE LA COMPRESSION GRIP X

Ce schéma sert de point de départ à vos réglages de compression. **Tournez vos molettes de compression en position fermée (à fond dans le sens des aiguilles d'une montre) jusqu'à ce qu'elles se bloquent. Puis tournez-les dans l'autre sens (sens inverse des aiguilles d'une montre) en comptant le nombre de crans indiqué ci-dessous.**



Le réglage de la **compression haute vitesse** sert à contrôler les performances de la fourche lors des impacts causés par de gros chocs, par des réceptions de sauts et par des bosses très marquées.

Le réglage de la **compression basse vitesse** sert à contrôler les performances de la fourche lors des impacts causés par le poids du cycliste, par les G en virage et d'autres situations à compression lente.

OPEN (OUVERT)
15 CRANS



COMPRESSION HAUTE VITESSE (HSC)

CLOSED (FERMÉ)
(À FOND DANS LE SENS DES AIGUILLES D'UNE MONTRE)

OPEN (OUVERT)
16 CRANS



COMPRESSION BASSE VITESSE (LSC)

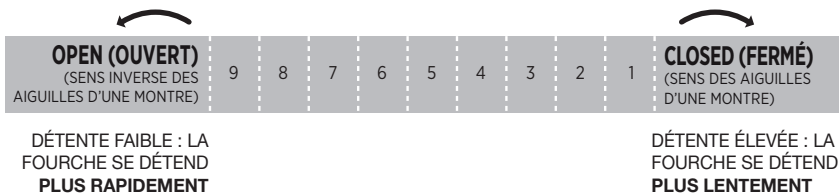
CLOSED (FERMÉ)
(À FOND DANS LE SENS DES AIGUILLES D'UNE MONTRE)

NIVEAU DE COMPRESSION LE PLUS BAS ; COMPRESSION DE LA FOURCHE LA PLUS SOUPLE

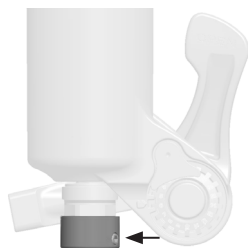
NIVEAU DE COMPRESSION LE PLUS ÉLEVÉ ; COMPRESSION DE LA FOURCHE LA PLUS FERME

RÉGLAGE DE LA DÉTENTE

La **détente** contrôle la vitesse à laquelle la fourche se détend après la phase de compression. Le réglage de la détente dépend du réglage de la pression pneumatique. Par exemple, une pression pneumatique élevée nécessite un réglage de la détente relativement lent. Utilisez la valeur de votre pression pneumatique pour définir le réglage de votre détente. Le régleur de la détente se situe sous le bras de la fourche du côté de la cartouche d'amortissement.



DÉTENTE GRIP X



Tournez la molette de la détente en position fermée dans le sens des aiguilles d'une montre jusqu'à ce qu'elle se bloque. Puis tournez-la dans le sens inverse des aiguilles d'une montre en comptant le nombre de crans indiqué dans le tableau de la page 21.

OPTIONS DE RÉGLAGE SUPPLÉMENTAIRES

ENTRETOISES DE VOLUME À CLIPSER

Changer les entretoises de volume sur la fourche Super Z est une manipulation interne facile à réaliser qui vous permet de modifier la course d'amortissement sur sa partie intermédiaire ainsi que la résistance au talonnage.

Si vous avez réglé votre sag correctement mais que vous utilisez trop facilement tout le débattement disponible (talonnage), alors vous pouvez installer une ou plusieurs entretoises pour augmenter la résistance au talonnage.

Si vous avez réglé votre sag correctement mais que vous n'utilisez pas tout le débattement disponible, alors vous pouvez retirer l'entretoise pour diminuer la résistance au talonnage.

Les procédures d'installation et les différentes options de réglage sont disponibles en ligne sur le site : ridefox.com/ownersmanuals

Configurations des entretoises de volume Super Z		
Débattement	Entretoises de volume installées d'origine	*Nombre maxi d'entretoises de volume
190 mm	0	4
180 mm	1	5
170 mm	2	6
160 mm	3	7
150 mm	4	8

ENTRETIEN

Le fait de nettoyer convenablement votre produit Marzocchi après chaque sortie ainsi que de procéder aux opérations d'entretien de manière régulière, vous aidera à réduire les coûts de réparation et à allonger la durée de vie du produit.

Pour en savoir plus sur les procédures d'entretien, consultez le site www.Marzocchi.com ou contactez Marzocchi USA pour un service complet d'entretien (1.800.369.7469).

Opérations d'entretien minimal recommandées	Avant chaque sortie	Après chaque sortie	Régulièrement	Toutes les 125 heures ou une fois par an, au premier des termes échu*
Vérifiez l'extérieur de la fourche. La fourche ne doit pas être utilisée si l'une des pièces externes semble endommagée. Pour la faire réparer, contactez Marzocchi ou votre revendeur habituel.	X			
Vérifiez que les leviers de blocage rapide et les axes sont correctement réglés et serrés.	X			
Vérifiez le réglage de votre jeu de direction. S'il y a du jeu, resserrez-le conformément aux instructions du fabricant de votre vélo.	X			
Vérifiez que tous les câbles ou durites de frein sont correctement attachés. Vérifiez le bon fonctionnement de vos freins avant et arrière sur terrain plat.	X			
Nettoyez l'extérieur avec du savon doux et de l'eau, puis essuyez avec un chiffon doux. N'utilisez jamais de nettoyeur à haute pression et ne vaporisez jamais d'eau directement sur le joint.		X		
Vérifiez les réglages du sag et de la cartouche d'amortissement. Vérifiez que les commandes ne présentent pas de dommages apparents et qu'elles fonctionnent correctement.			X	
Entretien complet (contrôles interne/externe complets, remontage de la cartouche d'amortissement, remontage du ressort pneumatique, remplacement de l'huile et des joints).				X

*Pour les cyclistes qui pratiquent des descentes accessibles par remontées mécaniques, dans des Bike-parks ou le freeride extrême ou qui roulent sur des terrains extrêmement humides et boueux ou secs et poussiéreux où des impuretés peuvent souiller la fourche, Marzocchi conseille de réaliser les entretiens de manière plus fréquente que ce qui est recommandé ci-dessus, en fonction des besoins. Si vous entendez, voyez ou sentez quelque chose d'anormal, cessez immédiatement d'utiliser votre vélo et contactez un Centre d'entretien agréé Marzocchi pour faire réaliser un entretien approprié.

Pour ses éléments de suspension, Marzocchi offre la GARANTIE LIMITÉE suivante :

GARANTIE LIMITÉE MARZOCCHI

GARANTIE LIMITÉE DE UN (1) AN POUR LES PRODUITS DE SUSPENSION

Dans le respect des limites et conditions générales notées ci-dessous, Marzocchi garantit à l'acheteur d'origine dans le commerce de détail (client) d'un élément de suspension Marzocchi neuf que cet élément de suspension Marzocchi, quand il est neuf, est exempt de défauts de matériau ou de vices de fabrication. Cette garantie arrive à expiration un (1) an après la date d'achat d'origine dans le commerce de détail de l'élément de suspension Marzocchi d'origine auprès d'un revendeur Marzocchi agréé, ou d'un fabricant d'équipement agréé par Marzocchi quand la suspension Marzocchi est incluse en tant qu'équipement d'origine avec un véhicule acheté.

MODALITÉS DE LA GARANTIE

Cette garantie limitée n'est valide que si l'élément de suspension Marzocchi est utilisé dans des conditions normales et est entretenu conformément aux recommandations de Marzocchi. Cette garantie limitée est uniquement applicable aux suspensions Marzocchi achetées neuves auprès d'une source autorisée Marzocchi et est offerte uniquement au propriétaire d'origine de l'élément de suspension Marzocchi neuf acheté dans le commerce de détail (client). Elle n'est pas transférable à des acheteurs ultérieurs.

S'il est déterminé par Marzocchi, à son seul gré et sur sa décision définitive, qu'un élément de suspension Marzocchi est couvert par cette garantie limitée, il sera réparé ou remplacé par un modèle comparable, choisi unilatéralement par Marzocchi, dont la décision sera péremptoire et exécutoire. CECI FORME LE RECOURS EXCLUSIF EN VERTU DE CETTE GARANTIE LIMITÉE. TOUT AUTRE RECOURS OU DOMMAGE QUI POURRAIT ÊTRE APPLICABLE AUTREMENT DANS LE CADRE DE CETTE GARANTIE LIMITÉE EST EXCLU, Y COMPRIS, SANS Y ÊTRE LIMITÉ, LES DOMMAGES ACCESSOIRES OU INDIRECTS ET LES DOMMAGES OU INTÉRÊTS EXEMPLAIRES.

Cette garantie limitée ne s'applique pas à l'usure normale, aux dysfonctionnements ou aux défaillances consécutifs à un usage inapproprié, un manque d'entretien, un montage incorrect, des modifications ou des altérations, des réparations ou des entretiens inappropriés ou interdits, des collisions, des accidents, des chutes ou toute autre utilisation anormale, excessive ou inappropriée.

Cette garantie limitée confère au client des droits juridiques spécifiques. Le client peut aussi bénéficier d'autres droits juridiques conformément aux lois nationales en vigueur qui ne sont pas concernées par cette garantie limitée. Si un tribunal compétent détermine qu'une disposition spécifique de cette garantie limitée ne s'applique pas, cette détermination ne porte pas sur les autres dispositions de cette garantie limitée et toutes les autres dispositions resteront effectives.

CETTE GARANTIE EST LA SEULE GARANTIE OFFERTE PAR MARZOCCHI POUR SES PRODUITS DE SUSPENSION ET LEURS COMPOSANTS ET IL N'Y A AUCUNE AUTRE GARANTIE EN DEHORS DE CELLE DÉCRITE DANS CE DOCUMENT. TOUTE AUTRE GARANTIE QUI POURRAIT ÊTRE IMPLICITE SELON LA LÉGISLATION EN VIGUEUR, Y COMPRIS, SANS Y ÊTRE LIMITÉE, TOUTE GARANTIE IMPLICITE DE QUALITÉ MARCHANDE OU D'APTITUDE À UN USAGE SPÉCIFIQUE EST EXCLUE.

Cette garantie limitée doit être soumise uniquement aux lois de l'État de Californie.

Pour toute question sur cette garantie ou sur les produits Marzocchi, veuillez contacter le Service clientèle Marzocchi aux États-Unis par téléphone au 1-800-369-7469 ou sur le site www.Marzocchi.com.

En cas de réclamation dans le cadre de cette garantie limitée, il vous faudra fournir à un Centre d'entretien Marzocchi agréé :

1. Le produit (ou la pièce concernée) et
2. Une copie de la preuve d'achat d'origine indiquant clairement le nom et l'adresse du vendeur, la date et le lieu d'achat, le numéro de référence du produit et, le cas échéant, un numéro de série. Si les produits Marzocchi ont été vendus en tant qu'équipements d'un vélo complet, la marque, le modèle, l'année modèle et le numéro de série du vélo doivent être indiqués.

Marzocchi est une marque de FOX Factory, Inc.

CONGRATULAZIONI!

Grazie per aver scelto un prodotto di sospensione Marzocchi per la vostra bicicletta. Tutti i prodotti di sospensione Marzocchi sono progettati e testati dai migliori professionisti del settore nella contea di Santa Cruz, California, USA.

Per impostare, utilizzare e mantenere correttamente il nuovo prodotto Marzocchi è possibile seguire le direttive e le istruzioni fornite in questa Guida per l'utente.

Per informazioni aggiuntive e video, consultare l'indirizzo www.Marzocchi.com, oppure chiamare Marzocchi US al numero 1.800.369.7469, oppure contattare un centro assistenza internazionale autorizzato Marzocchi all'indirizzo www.Marzocchi.com. Se non è disponibile una connessione internet, contattare Marzocchi per ordinare una copia cartacea gratuita del Manuale dell'utilizzatore online Marzocchi relativo al prodotto.

AVVERTENZE DI PERICOLO E INFORMAZIONI SULLA SICUREZZA

I prodotti Marzocchi devono essere installati da un tecnico di assistenza biciclette professionista, in conformità con le specifiche di installazione Marzocchi. Le forcelle installate in modo errato possono guastarsi, causando la perdita del controllo da parte del ciclista con possibili conseguenti LESIONI GRAVI O MORTALI.

La modifica o l'alterazione di un prodotto Marzocchi può causare il guasto del prodotto con conseguenti LESIONI GRAVI O MORTALI. Non modificare o alterare NESSUNA parte di un prodotto Marzocchi (inclusi molle elicoidali, archetto trasversale degli steli inferiori, testa, cannotto, steli, foderi, serbatoi dell'aria, reggisella, distanziali di volume dell'aria, interni, spessori delle fessure del perno, adattatori del perno o qualsiasi altra parte).

I prodotti di sospensione per biciclette di Marzocchi possono essere utilizzati anche su biciclette elettriche di Classe 1 (designazione USA) e L1e-A (designazione UE).

I prodotti di sospensione E-BIKE+ di Marzocchi possono essere utilizzati su biciclette elettriche di Classe 3 (designazione USA) e L1e-B (designazione UE).

NON utilizzare le sospensioni Marzocchi su biciclette a motore a pedalata assistita o su veicoli a motore che superano una velocità massima assistita di 32 km/h (20 mph) o un peso massimo complessivo di 140 Kg (308 lb).

NON utilizzare le sospensioni E-BIKE+ di Marzocchi su biciclette a motore a pedalata assistita o su veicoli a motore che superano una velocità massima assistita di 45 km/h (28 mph) o un peso massimo complessivo di 169 Kg (372 lb). NON utilizzare i prodotti di sospensione per biciclette Marzocchi su alcun veicolo motorizzato dotato di acceleratore.

Oltre a invalidare la garanzia, l'uso improprio dei prodotti di sospensione Marzocchi può causare il guasto della sospensione, con conseguenti danni alle cose o LESIONI GRAVI O MORTALI.

NON utilizzare i prodotti di sospensione per biciclette di Marzocchi su veicoli che trasportano più di un operatore o ciclista, come ad esempio biciclette tandem o biciclette utility.

Non rimuovere o sostituire il cannotto della forcella. Ciò potrebbe comportare perdita di controllo della bicicletta con conseguenti LESIONI GRAVI O MORTALI.

Non rimuovere o sostituire il cannotto o gli steli separatamente dalla testa. La modifica della testa integrata, del cannotto o degli steli può causare il cedimento del gruppo, con conseguenti perdite di controllo e LESIONI GRAVI O MORTALI.

Non tagliare il cannotto di sterzo più di tre (3) mm sotto

la parte installata più alta. Se la lunghezza del cannotto di sterzo è tagliata per errore in modo da renderlo troppo corto, È NECESSARIO SOSTITUIRLO. L'utilizzo di una forcella con un inserimento dello sterzo bloccato troppo corto può comportare l'improvviso cedimento della forcella, che potrebbe causare la perdita di controllo della bicicletta e il conseguente rischio di LESIONI GRAVI O MORTALI.

Se il cannotto della forcella presenta intaccature o solchi percepibili con l'unghia, il gruppo testa/cannotto della forcella deve essere sostituito. Intaccature o solchi possono causare il cedimento del cannotto della forcella, con conseguenti perdite di controllo e possibili LESIONI GRAVI O MORTALI.

Non tentare mai di ricavare filettature nei cannotti senza filettatura delle forcelle Marzocchi. Ricavare una filettatura in un cannotto della forcella che non prevede la filettatura può causare il cedimento del cannotto stesso, con conseguenti perdite di controllo e possibili LESIONI GRAVI O MORTALI.

Non utilizzare mai più di 30 mm di distanziali sotto l'attacco manubrio sul cannotto della forcella. Ciò può provocare il cedimento del cannotto, con conseguenti perdite di controllo e possibili LESIONI GRAVI O MORTALI.

Non permettere mai che oggetti quali cavi o guaine entrino in contatto con il cannotto della forcella. Se la bicicletta prevede l'instradamento interno di cavi e guaine, consultare il manuale del produttore della bicicletta per le istruzioni di sicurezza. L'interferenza di cavi e/o guaine con il cannotto della forcella può causare il cedimento del cannotto stesso, con conseguenti perdite di controllo e possibili LESIONI GRAVI O MORTALI.

L'interferenza di una guaina con la testa della forcella causa nel tempo danni da abrasione. Se il contatto è inevitabile, utilizzare nastro in vinile o una protezione simile per riparare il punto di contatto. La garanzia Marzocchi non copre i danni da abrasione alla testa della forcella.

La manutenzione non corretta o l'uso di parti di ricambio non originali per le forcelle e gli ammortizzatori Marzocchi possono causare malfunzionamenti dei prodotti, con conseguenti LESIONI GRAVI O MORTALI.

Poiché sporcizia e detriti possono accumularsi tra le aperture del perno della forcella, controllare e pulire sempre queste aree prima di installare la ruota. L'installazione non corretta del mozzo o del perno può provocare LESIONI GRAVI O MORTALI.

Non usare mai acqua a pressione per la pulizia di un prodotto Marzocchi.

Se la forcella perde olio, si estende o affonda eccessivamente oppure produce rumori anomali, non utilizzarla e contattare immediatamente Marzocchi o un centro di assistenza Marzocchi autorizzato per richiedere una verifica o una riparazione.

Seguire le istruzioni del produttore dei freni per una corretta installazione e regolazione dell'impianto frenante. L'installazione o la regolazione non corretta dei freni può causare perdite di controllo con conseguenti LESIONI GRAVI O MORTALI.

La forcella potrebbe cedere in condizioni che causano la flessione e/o la rottura di una parte della forcella. Qualsiasi condizione che provochi perdita di aria e/o olio, ad esempio una collisione o periodi estesi di non utilizzo, può anche causare il cedimento della forcella. Una forcella danneggiata e/o che perde potrebbe cedere

provocando un incidente con conseguenti GRAVI LESIONI O MORTE. Se si sospetta che la forcella sia danneggiata, interrompere immediatamente la guida e contattare Marzocchi per l'ispezione e la riparazione.

I portabici che prevedono il fissaggio sulla forcella possono danneggiare i foderi e/o i forcellini, soprattutto nei casi in cui la forcella sia caricata lateralmente e/o la ruota posteriore non sia fissata nel portabici. I foderi della forcella e/o i forcellini danneggiati possono cedere e provocare incidenti con conseguenti LESIONI GRAVI O MORTALI. Se si sospetta che la forcella sia danneggiata, contattare Marzocchi per l'ispezione e la riparazione.

INSTALLAZIONE DELLA FORCELLA

1. Rimuovere la forcella installata sulla bicicletta. Rimuovere la testa dalla vecchia forcella. Misurare la lunghezza del canotto sterzo precedente e riportare questa misura sul canotto della nuova forcella Marzocchi. Se non si dispone di una forcella da misurare, prendere nota dell'altezza dello stack della serie sterzo (componenti della serie sterzo e tubo sterzo del telaio). Quindi, consultare le istruzioni del produttore dell'attacco manubrio per accertarsi che vi sia una superficie di bloccaggio sufficiente per l'attacco manubrio stesso.
2. Tagliare il canotto sterzo alla lunghezza appropriata. Contrassegnare il canotto della forcella e tagliarlo alla lunghezza corretta.

AVVERTENZA DI PERICOLO

Prima di effettuare qualsiasi taglio, consultare le istruzioni del produttore della serie sterzo e dell'attacco manubrio per verificare che la lunghezza del canotto della forcella sia sufficiente per bloccare il canotto e l'attacco manubrio. Un'installazione non corretta può comportare la separazione dell'attacco manubrio dal canotto con conseguenti perdite di controllo e possibili LESIONI GRAVI O MORTALI.

3. Installare la serie sterzo. Utilizzare sempre una serie sterzo nuova senza filettatura e seguire le istruzioni di installazione del produttore della serie sterzo.
4. Installare un anello della testa della forcella da 39,8 mm per canotti forcella da 1 1/2 pollice. Utilizzare un posizionatore per anello della testa della forcella per installare saldamente l'anello della testa della forcella contro la parte superiore della testa.
5. Utilizzare l'apposito attrezzo per installare il dado a stella da 4-10 mm al di sotto del canotto sterzo.
6. Installare la forcella sulla bicicletta. Installare le parti del cuscinetto serie sterzo e l'attacco manubrio secondo le istruzioni del produttore della serie sterzo. Regolare il precarico della serie sterzo fino a quando non si avverte più un eccesso di gioco o di resistenza del cuscinetto. Serrare le viti di fissaggio dell'attacco manubrio secondo le specifiche di coppia del produttore dell'attacco manubrio.
7. Installare i freni secondo le istruzioni del produttore dei freni. La dimensione massima del rotore per Super Z è 230 mm.

AVVERTENZA DI PERICOLO

Le filettature delle viti di montaggio della pinza del freno a disco devono innestarsi per 10-12 mm nella forcella. Utilizzare una chiave dinamometrica per stringere le viti di fissaggio della pinza alle specifiche del costruttore del freno a disco, ma non superare i 10,2 N·m (90 in.-lb). Un'errata installazione può comportare il cedimento dei freni, con conseguenti perdite di controllo e possibili LESIONI GRAVI O MORTALI.

8. Instradare la guaina o il raccordo del freno a disco anteriore all'interno del fodero e attraverso la guida del raccordo del freno a disco. Utilizzare una chiave dinamometrica per serrare la vite della guida della guaina del freno a disco a una coppia di 0,9 N·m (8 in.-lb).

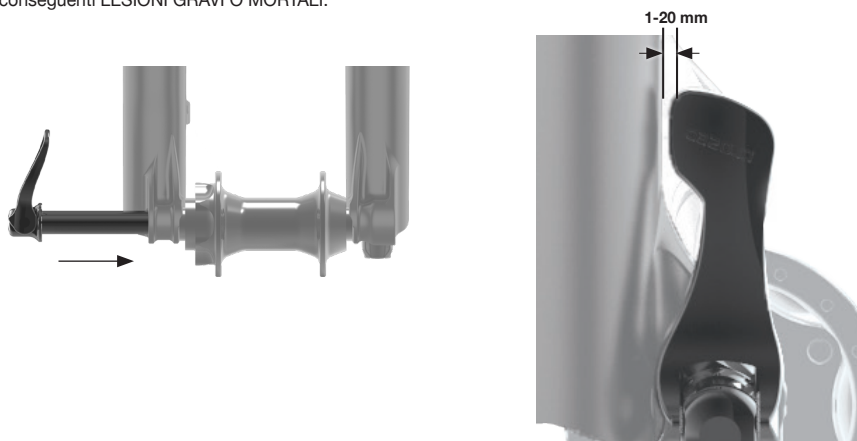


INSTALLAZIONE SGANCIO RAPIDO DA 15 MM

1. Installare la ruota anteriore nei forcellini della forcella. Far scorrere il perno attraverso i forcellini lato trasmissione e il mozzo.
2. Aprire la leva del perno.
3. Ruotare il perno in senso orario di 5-6 giri completi.
4. Chiudere la leva. La leva **deve** esercitare abbastanza tensione da lasciare un'impronta sulla mano
5. La leva di chiusura deve essere compresa tra 1 e 20 mm davanti al braccio della forcella. Se la leva non ha abbastanza tensione, o ha troppa tensione quando è chiusa nella posizione raccomandata (1-20 mm davanti al braccio della forcella), fare riferimento alla sezione successiva per le istruzioni di regolazione.

⚠ AVVERTENZA DI PERICOLO

Utilizzare solo la pressione della mano. Non utilizzare in nessun caso degli utensili per serrare la leva di sgancio rapido. Un serraggio eccessivo delle leve può danneggiare il perno o i forcellini della forcella. Questo può causare l'improvviso cedimento di uno o più componenti, con conseguenti LESIONI GRAVI O MORTALI. Al contrario, il mancato fissaggio corretto del perno, compresa una tensione insufficiente alla chiusura, può causare il distacco della ruota dalla bicicletta, con conseguenti LESIONI GRAVI O MORTALI.

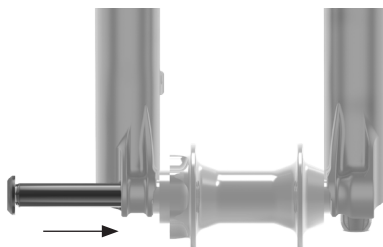


REGOLAZIONE DELLA POSIZIONE DELLA LEVA

1. Si noti in quale direzione deve ruotare la leva del perno per chiudersi con una tensione sufficiente nell'orientamento corretto (1-20 mm davanti al braccio della forcella).
2. Aprire la leva dell'asse e sfilare l'asse dalla forcella.
3. Utilizzare una chiave a brugola da 4 mm all'estremità del perno per regolare la posizione della leva nella direzione indicata al Passo 1. Con il regolatore da 4 mm impostato correttamente, si dovrebbe iniziare a percepire una certa resistenza nel perno quando la leva di sgancio rapido è a 90 gradi, cioè prima della chiusura completa in posizione verticale.
4. Ripetere le istruzioni di installazione del perno per verificare che l'installazione e la regolazione siano corrette.

INSTALLAZIONE DEL PERNO KABOLT

1. Installare la ruota anteriore nei forcellini della forcella. Inserire il perno Kabolt attraverso i forcellini lato trasmissione e il mozzo.
2. Utilizzare una chiave a brugola da 6 mm per serrare il perno Kabolt in senso orario alle specifiche di coppia incise sulla testa del Kabolt.



TEST PASSAGGIO RUOTA

1. Azzerare la pressione dell'aria nella forcella premendo la valvola Schrader.

⚠ AVVERTENZA DI PERICOLO

Le forcelle Marzocchi possono contenere aria a pressione elevata. AZZERARE la pressione della camera principale prima dello smontaggio. In caso contrario, si potrebbe verificare l'espulsione di componenti o fluidi dalla forcella, con conseguenti LESIONI GRAVI O MORTALI.

2. Comprimerne completamente la forcella.
3. Misurare la distanza dai bordi della ruota gonfia alla piastra, all'archetto e forcella e il canotto di sterzo. Attorno allo pneumatico devono essere presenti ALMENO 8,5 mm di distanza libera.

⚠ AVVERTENZA DI PERICOLO

Se non si lasciano almeno 8,5 mm di distanza tra i bordi dello pneumatico gonfiato e la piastra, l'archetto e la forcella lo pneumatico potrebbe incastrarsi sulla testa quando la forcella si comprime completamente con conseguenti GRAVI LESIONI O MORTE.

4. Gonfiare per raggiungere l'impostazione desiderata utilizzando una pompa ad alta pressione. Impostare il sag (abbassamento) secondo le istruzioni online all'indirizzo www.Marzocchi.com.
5. È necessario ripetere il test OGNI volta che si sostituiscono gli pneumatici o i cerchi.

⚠ AVVERTENZA DI PERICOLO

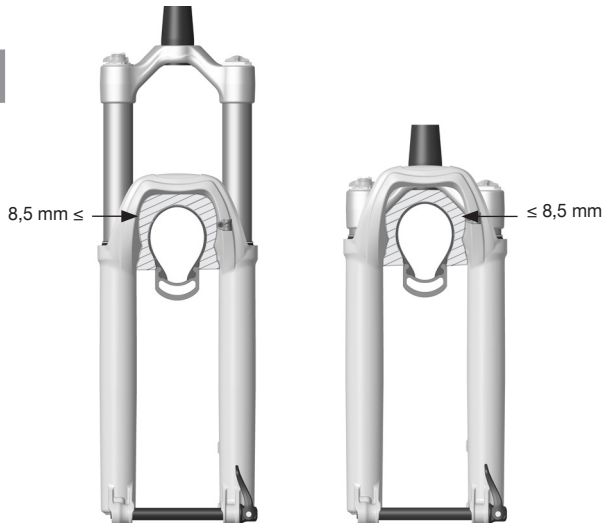
Non superare la pressione massima consigliata:

La pressione massima dell'aria delle forcelle Super Z è 120 psi.

La pressione minima è: 40 psi (2,8 bar).

La pressione deve essere misurata a una temperatura ambiente di 21-24 °C (70-75 °F).

Il normale intervallo di temperatura di esercizio per i prodotti Marzocchi è compreso fra -7 e 60 °C (20-140 °F).



DISTANZIALI DI VOLUME DELLA MOLLA PNEUMATICA

La modifica dei distanziali di volume nelle forcelle Super Z Marzocchi offre una semplice regolazione interna che consente di variare l'entità della resistenza di metà escursione e fine corsa. Se il sag impostato è corretto e se l'escursione completa si esaurisce troppo facilmente (cioè la sospensione arriva frequentemente a fondocorsa), è possibile installare uno o più distanziali per aumentare la resistenza di fondocorsa. Se non si utilizza l'escursione completa, è possibile rimuovere uno o più distanziali per ridurre la resistenza di fondocorsa.

1. Rimuovere il tappo dell'aria.
2. Rilasciare tutta la pressione dell'aria dalla forcella premendo la valvola Schrader.

AVVERTENZA DI PERICOLO

Le forcelle Marzocchi possono contenere aria a pressione elevata. AZZERARE la pressione della camera principale prima dello smontaggio. In caso contrario, si potrebbe verificare l'espulsione di componenti o fluidi dalla forcella, con conseguenti LESIONI GRAVI O MORTALI.

3. Sfilare con cautela il terminale superiore dalla forcella con una chiave a bussola da 32 mm non smussata a 6 punti.
4. Tirare verso l'alto per rimuovere il gruppo del terminale superiore dalla testa della forcella.
5. Far scorrere il regolatore o i regolatori di volume dell'aria orizzontalmente per installarli o rimuoverli dal terminale.

AVVERTENZA DI PERICOLO

Non superare il numero massimo di regolatori di volume previsti per la forcella. Ciò può danneggiare la forcella. Per informazioni online sui distanziali di volume, visitare il sito www.Marzocchi.com.

6. Reinstallare il gruppo del terminale superiore nella testa della forcella e serrare a 24,8 N·m (220 in-lb) con una chiave a bussola da 32 mm non smussata a 6 punti.
7. Gonfiare per raggiungere l'impostazione desiderata utilizzando una pompa ad alta pressione. Impostare il sag (abbassamento) secondo le istruzioni online all'indirizzo www.Marzocchi.com.

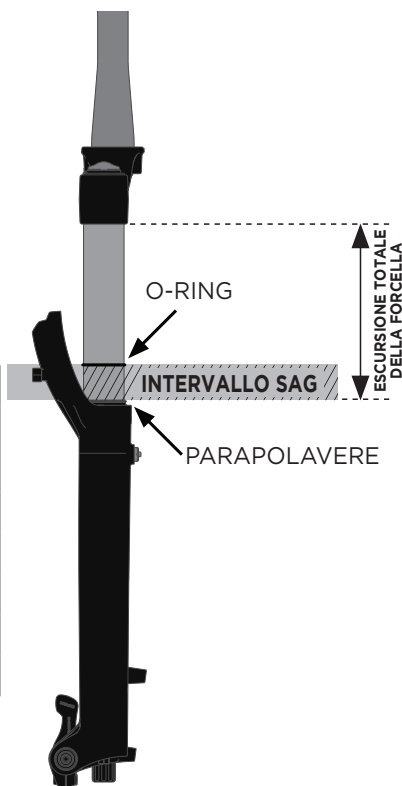
IMPOSTAZIONE DEL SAG

Per ottenere dalla sospensione Marzocchi le migliori prestazioni, regolare la pressione dell'aria per raggiungere l'impostazione del sag corretta. Il termine sag indica l'entità della compressione della sospensione (cioè l'abbassamento) dovuta al peso del ciclista e all'attrezzatura di guida. Il sag dovrebbe essere impostato tra il 15 e il 20% dell'escursione totale della forcella.

Impostare il sag con la leva di compressione nella modalità OPEN (aperta).

Consultare il video di impostazione del sag su ridefox.com/sagsetup

Valori di sag suggeriti		
Escursione	Sag 15% (sospensione rigida)	Sag 20% (rigida)
150 mm (5,9")	22 mm (0,9")	30 mm (1,2")
160 mm (6,3")	24 mm (1,0")	32 mm (1,3")
170 mm (6,7")	26 mm (1,0")	34 mm (1,3")
180 mm (7")	27 mm (1,0")	36 mm (1,4")
190 mm (7,7")	28,5 mm (1,1")	38 mm (1,6")



Non superare la pressione massima consigliata:

La pressione massima dell'aria delle forcelle **Super Z** è **120 psi**.

Punti di partenza suggeriti per impostare il sag			
Peso del ciclista (lbs)	Peso del ciclista (kg)	Pressione SuperZ	Impostazione del ritorno SuperZ
120-130	54-59	3,7 bar (54 psi)	13
130-140	59-64	4,0 bar (58 psi)	12
140-150	64-68	4,3 bar (62 psi)	11
150-160	68-73	4,6 bar (67 psi)	10
160-170	73-77	4,9 bar (71 psi)	9
170-180	77-82	5,2 bar (75 psi)	8
180-190	82-86	5,4 bar (79 psi)	7
190-200	86-91	5,7 bar (83 psi)	6
200-210	91-95	6,0 bar (87 psi)	5
210-220	95-100	6,3 bar (92 psi)	4
220-230	100-104	6,6 bar (96 psi)	3
230-240	104-109	6,9 bar (100 psi)	2
240-250	109-113	7,2 bar (104 psi)	1

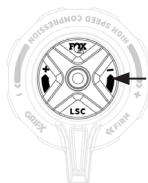
REGOLAZIONE DELLA COMPRESSIONE

REGOLAZIONE DELLA COMPRESSIONE GRIP X

Utilizzare questo diagramma come punto di partenza per i regolatori di compressione. **Ruotare i regolatori di compressione in posizione chiusa (completamente in senso orario) fino all'arresto.** Quindi, ruotarli in senso contrario (antiorario) fino al numero di scatti indicato di seguito.



La regolazione della **compressione alle alte velocità** è utile per controllare le prestazioni della forcella durante gli impatti più intensi, gli atterraggi e gli urti sugli spigoli vivi.



La regolazione della **compressione alle basse velocità** è utile per controllare le prestazioni della forcella durante gli spostamenti di peso del rider, gli affondamenti e altre sollecitazioni lente.

APERTA
15 SCATTI



COMPRESSIONE ALLE ALTE VELOCITÀ (HSC)

CHIUSA
(COMPLETAMENTE
IN SENSO ORARIO)

APERTA
16 SCATTI



COMPRESSIONE ALLE BASSE VELOCITÀ (LSC)

CHIUSA
(COMPLETAMENTE
IN SENSO ORARIO)

QUANTITÀ MINIMA
DI SMORZAMENTO
DI COMPRESSIONE;
COMPRESSIONE
FORCELLA **PIÙ**
MORBIDA
POSSIBILE

MASSIMO
SMORZAMENTO DI
COMPRESSIONE;
COMPRESSIONE
FORCELLA **PIÙ**
RIGIDA
POSSIBILE

REGOLAZIONE DEL RITORNO

Il termine "ritorno" indica la velocità di estensione della forcella dopo la compressione. La regolazione del ritorno dipende dall'impostazione della pressione dell'aria. Ad esempio, pressioni dell'aria più elevate comportano impostazioni di ritorno più lente. Usare la pressione dell'aria per trovare l'impostazione corretta del ritorno. Il regolatore del ritorno si trova sotto il fodero della forcella lato ammortizzatore.



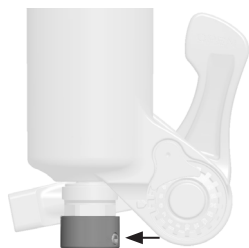
APERTA
(SENSO ANTIORARIO)

CON UN LIVELLO DI SMORZAMENTO DEL RITORNO INFERIORE, LA FORCELLA SI RIPRISTINA **PIÙ VELOCEMENTE**

CHIUSA
(SENSO ORARIO)

CON UN SUPERIORE DI SMORZAMENTO DEL RITORNO SUPERIORE, LA FORCELLA SI RIPRISTINA **PIÙ LENTAMENTE**

GRIP X RITORNO



Portare la manopola del ritorno verso la posizione chiusa, ruotandola in senso orario finché non si arresta. Quindi ruotare in senso antiorario fino al numero di clic indicato nella tabella di pagina 33.

OPZIONI DI MESSA A PUNTO AGGIUNTIVE

DISTANZIALI DI VOLUME A SCATTO

La modifica dei distanziali di volume nelle forcelle Super Z Marzocchi offre una semplice regolazione interna che consente di variare l'entità della resistenza di metà escursione e fine corsa.

Se il sag impostato è corretto e se l'escursione completa si esaurisce troppo facilmente (cioè la sospensione arriva frequentemente a fondocorsa), è possibile installare uno o più distanziali per aumentare la resistenza di fondocorsa.

Se è stato impostato il sag corretto e non si riesce a utilizzare l'escursione completa è possibile rimuovere il distanziale per ridurre la resistenza di fondocorsa.

La procedura di installazione e le opzioni di messa a punto sono disponibili online all'indirizzo: ridefox.com/ownersmanuals

Configurazioni distanziale di volume Super Z		
Escursione	Regolatori di volume installati di serie	*Regolatori di volume massimi
190 mm	0	4
180 mm	1	5
170 mm	2	6
160 mm	3	7
150 mm	4	8

MANUTENZIONE

Una pulizia adeguata del prodotto Marzocchi tra un utilizzo e l'altro, e un servizio di manutenzione programmato a intervalli regolari, aiutano a ridurre i costi di riparazione e a prolungare la durata del prodotto stesso.

Per ulteriori informazioni sulle procedure di assistenza, visitare www.Marzocchi.com oppure contattare Marzocchi US per un intervento di manutenzione completo (1.800.369.7469).

Attività di assistenza minime consigliate	Prima di ogni utilizzo	Dopo ogni utilizzo	Regolarmente	Ogni 125 ore oppure ogni anno, a seconda dell'evento che si verifica per primo*
Ispezionare l'intera parte esterna della forcella. La forcella non deve essere usata se una sua qualsiasi parte esterna appare danneggiata. Rivolgersi al rivenditore locale o a Marzocchi per riparazioni.	X			
Controllare che le leve e i perni a sgancio rapido siano regolati e serrati correttamente.	X			
Controllare la regolazione della serie sterzo. Se è allentata, regolarla in base alle raccomandazioni del produttore della bicicletta.	X			
Controllare che tutti i cavi e i tubi dei freni siano fissati correttamente. Controllare il corretto funzionamento dei freni anteriori e posteriori su un terreno pianeggiante.	X			
Pulire la parte esterna solo con acqua e sapone delicato. Asciugare con un panno morbido asciutto. Non utilizzare idropultrici né spruzzare acqua direttamente sulla giunzione.		X		
Controllare le impostazioni del sag e dell'ammortizzatore. Ispezionare i comandi per individuare danni visivi e verificare la funzionalità.			X	
Revisione completa (ispezione completa interna/esterna, ricostruzione degli ammortizzatori e della molla, sostituzione dell'olio del bagno e del parapolvere).				X

*Se si effettuano sessioni di downhill, park o freeride estremo, oppure se si guida in condizioni estreme di bagnato/fango o secco/polvere in cui i detriti del trail vengono proiettati sulla forcella, Marzocchi consiglia di effettuare la manutenzione con frequenza superiore a quella indicata, in base alle necessità. Se si avvertono o percepiscono comportamenti inusuali, interrompere immediatamente la guida e contattare un centro assistenza Marzocchi autorizzato per i controlli e le riparazioni necessarie.

Per i suoi prodotti di sospensione, Marzocchi offre la seguente GARANZIA LIMITATA:

GARANZIA LIMITATA MARZOCCHI

GARANZIA LIMITATA DI UN (1) ANNO SUI PRODOTTI DI SOSPENSIONE

Nel rispetto delle limitazioni, dei termini e delle condizioni del presente documento, Marzocchi garantisce all'acquirente originale (consumatore) di ogni nuovo prodotto di sospensione Marzocchi che il prodotto stesso, in condizioni nuove, è privo di difetti dovuti a materiali e lavorazioni. Questa garanzia scade dopo un (1) anno dalla data di acquisto del prodotto di sospensione Marzocchi originale da un punto vendita Marzocchi autorizzato o da un produttore autorizzato che utilizza la sospensione Marzocchi come equipaggiamento originale del mezzo acquistato.

TERMINI DI GARANZIA

Questa garanzia limitata è valida a condizione che il prodotto di sospensione Marzocchi venga utilizzato in condizioni normali e mantenuto correttamente secondo quanto specificato da Marzocchi. Questa garanzia è valida solo per le sospensioni Marzocchi acquistate da una fonte Marzocchi autorizzata e ne ha diritto solo l'acquirente originale del nuovo prodotto (consumatore), pertanto non è trasferibile a eventuali acquirenti successivi a quello originale.

Nel caso in cui venisse determinato da Marzocchi, a propria esclusiva discrezione, che un prodotto di sospensione Marzocchi è coperto da questa garanzia, esso verrà riparato oppure sostituito con un modello paragonabile, scelto a esclusiva discrezione Marzocchi, in modo conclusivo e vincolante. QUESTA RAPPRESENTA L'UNICA ED ESCLUSIVA FORMA RIPARATORIA AI SENSI DI QUESTA GARANZIA LIMITATA. SONO ESCLUSI TUTTI GLI ULTERIORI RIMEDI E RISARCIMENTI PER DANNI CHE POSSONO ALTTRIMENTI ESSERE APPLICABILI AI SENSI DELLA PRESENTE GARANZIA LIMITATA, COMPRESI, A TITOLO DI ESEMPIO, DANNI INCIDENTALI O CONSEQUENZIALI O DANNI PUNITIVI.

La presente garanzia limitata non si applica alla normale usura, ai malfunzionamenti o guasti derivanti da abuso, negligenza, montaggio improprio, alterazione o modifica, alla riparazione o manutenzione impropria o non autorizzata, a incidenti o impatti o ad altri usi anomali, eccessivi o impropri.

La presente garanzia limitata attribuisce al consumatore diritti legali specifici. Il consumatore può anche avere altri diritti previsti dalle normative nazionali in vigore che non vengono alterati dalla presente garanzia limitata. Se un tribunale competente per giurisdizione determina che una particolare disposizione della presente garanzia limitata non sia valida, tale determinazione non influenza alcuna altra disposizione della presente garanzia limitata e tutte le altre disposizioni restano in vigore.

QUESTA È L'UNICA GARANZIA FORNITA DA MARZOCCHI PER I PROPRI PRODOTTI E COMPONENTI DI SOSPENSIONE. NON SONO PREVISTE GARANZIE CHE SI ESTENDONO OLTRE ALLA PRESENTE DESCRIZIONE. È ESCLUSA QUALSIASI GARANZIA CHE POSSA ESSERE SOTTINTESA DALLA LEGGE, COMPRESA, A TITOLO ESEMPLIFICATIVO MA NON LIMITATIVO, QUALSIASI GARANZIA IMPLICITA DI COMMERCIALIZZABILITÀ O IDONEITÀ A UNO SCOPO PARTICOLARE.

Questa garanzia limitata è disciplinata dalle leggi dello Stato della California.

Per domande relative a questa garanzia o ai prodotti Marzocchi, contattare il Servizio Clienti US Marzocchi chiamando il numero 1-800-369-7469 o visitare il sito www.Marzocchi.com.

Quando si presenta una domanda ai sensi della presente Garanzia limitata, sarà richiesto di fornire ad un centro di assistenza Marzocchi autorizzato:

1. Il Prodotto (o la parte interessata) e
2. Una copia della prova d'acquisto originale, che indichi chiaramente il nome e l'indirizzo del venditore, la data e il luogo di acquisto, il codice prodotto e, se utilizzato, un numero di serie. Se i prodotti Marzocchi sono venduti come parte di una bicicletta completa, devono essere inclusi la marca, il modello, l'anno del modello e il numero di serie della bicicletta.

Marzocchi è un marchio di proprietà di FOX Factory, Inc.

HERZLICHEN GLÜCKWUNSCH!

Wir gratulieren zu Ihrer neuen Marzocchi-Federung für Ihr Fahrrad. Alle Marzocchi-Federungsprodukte werden von branchenweit führenden Spezialisten in Santa Cruz County (Kalifornien) in den USA entwickelt und getestet.

Bitte befolgen Sie die Hinweise und Anweisungen in diesem Handbuch, um Ihr neues Marzocchi-Produkt ordnungsgemäß einzustellen, zu verwenden und zu warten.

Weitere Informationen finden Sie unter www.marzocchi.com. Kontaktieren Sie bei Bedarf Marzocchi US telefonisch unter 1.800.369.7469. Außerhalb der USA können sich auch an eines der zugelassenen internationalen Marzocchi Service-Center wenden, die Sie unter www.marzocchi.com finden. Wenn Sie nicht über einen Internetzugang verfügen, wenden Sie sich an Marzocchi, um kostenlos ein Druckexemplar der Online-Marzocchi-Bedienungsanleitung für Ihr Produkt zu bestellen.

WARNHINWEISE UND SICHERHEITSMITTEILUNGEN

Produkte von Marzocchi müssen von einem professionellen Fahrradmechaniker gemäß den Marzocchi-Einbauleitungen eingebaut werden. Unsachgemäß eingebaute Gabeln können versagen, sodass der Fahrer die Kontrolle über das Fahrrad verliert, was zu SCHWEREN ODER TÖDLICHEN VERLETZUNGEN führen kann.

Modifizierungen oder Veränderungen von Marzocchi-Produkten können Fehlfunktionen des Produkts verursachen, die zu SCHWEREN ODER TÖDLICHEN VERLETZUNGEN führen können. Sie dürfen KEINE Teile eines Marzocchi-Produkts modifizieren oder verändern (einschließlich: Schraubenfedern, Querbrücke am unteren Gabelbein, Gabelkopf, Gabelschaft, Standrohre, Gabelbein, Luftkammer, Sattelstütze, Luft-Volumenspacer, Innenteile, Achslochplättchen, Achsadapter und alle anderen Teile).

Marzocchi-Fahrrad-Federungsprodukte dürfen auch an elektrisch betriebenen Fahrrädern der Klasse 1 (USA-Bezeichnung) und L1e-A (EU-Bezeichnung) verwendet werden.

Marzocchi E-BIKE+-Federungsprodukte dürfen auch an elektrisch betriebenen Fahrrädern der Klasse 3 (USA-Bezeichnung) und L1e-B (EU-Bezeichnung) verwendet werden.

Verwenden Sie Marzocchi-Fahrrad-Federungsprodukte NICHT an pedalunterstützten motorisierten Fahrrädern oder Motorfahrzeugen, die eine unterstützte Höchstgeschwindigkeit von mehr als 32 km/h (20 mph) erreichen, oder deren max. Systemgewicht 140 kg (308 lb) übersteigt.

Verwenden Sie Marzocchi-E-BIKE+-Federungsprodukte NICHT an pedalunterstützten motorisierten Fahrrädern oder Motorfahrzeugen, die eine unterstützte Höchstgeschwindigkeit von mehr als 45 km/h (28 mph) erreichen, oder deren max. Systemgewicht 169 kg (372 lb) übersteigt. Verwenden Sie Marzocchi-Fahrrad-Federungsprodukte NICHT an motorisierten Fahrzeugen mit Gaszug.

Die missbräuchliche Verwendung von Marzocchi-Federungsprodukten kann den Ausfall der Federung zur Folge haben, sodass die Gefahr von SCHWEREN ODER TÖDLICHEN VERLETZUNGEN besteht, und führt zum Erlöschen der Garantie.

Verwenden Sie Marzocchi-Fahrrad-Federungsprodukte nicht an Fahrzeugen, die mehr als eine Person befördern, beispielsweise Tandems oder schwere Lastfahrräder.

Der Gabelschaft darf nicht entfernt oder ausgetauscht werden. Dies könnte zum Verlust der Kontrolle über das Fahrrad führen, sodass die Gefahr von SCHWEREN ODER TÖDLICHEN VERLETZUNGEN besteht.

Versuchen Sie nicht, den Gabelschaft oder die Standrohre unabhängig von der Gabelkrone auszutauschen. Wenn Sie die integrierte Gabelkrone, den Gabelschaft oder die Standrohre verändern, kann dies zum Versagen der Baugruppe und zum Verlust der Kontrolle über das

Fahrrad führen, sodass die Gefahr von SCHWEREN ODER TÖDLICHEN VERLETZUNGEN besteht.

Kürzen Sie den Gabelschaft nicht um mehr als drei (3) mm unterhalb des zuoberst montierten Teils. Wenn der Gabelschaft irrtümlich zu kurz abgeschnitten wird, MUSS ER ERSETZT WERDEN! Die Verwendung einer zu kurzen Gabel mit Vorbauklammer kann zum plötzlichen Versagen der Gabel und zum Verlust der Kontrolle über das Fahrrad führen, sodass die Gefahr von SCHWEREN ODER TÖDLICHEN VERLETZUNGEN besteht.

Wenn der Gabelschaft Kratzer oder Riefen aufweist, die sich mit dem Fingernagel fühlen lassen, muss die Gabelkrone/Gabelschaft-Baugruppe ausgetauscht werden. Kratzer und Riefen können zum Versagen des Gabelschafts und zum Verlust der Kontrolle über das Fahrrad führen, sodass die Gefahr von SCHWEREN ODER TÖDLICHEN VERLETZUNGEN besteht.

In gewindelose Marzocchi-Gabelschaftrohre dürfen keine Gewinde geschnitten werden. Wenn ein Gewinde in einen gewindelosen Gabelschaft geschnitten wird, kann das zum Versagen des Gabelschafts und in der Folge zum Verlust der Kontrolle über das Fahrrad führen, sodass die Gefahr von SCHWEREN ODER TÖDLICHEN VERLETZUNGEN besteht.

Die Gesamthöhe der Spacer auf dem Gabelschaft unter dem Vorbau darf 30 mm nicht übersteigen. Andernfalls kann der Gabelschaft versagen, sodass der Fahrer die Kontrolle über das Fahrrad verliert und die Gefahr von SCHWEREN ODER TÖDLICHEN VERLETZUNGEN besteht.

Achten Sie stets darauf, dass Komponenten wie Züge oder Zughüllen nicht in Berührung mit dem Gabelschaft kommen. Wenn die Züge und Zughüllen an Ihrem Fahrrad innen verlegt werden, beachten Sie die Sicherheitshinweise in der Bedienungsanleitung des Fahrradherstellers. Züge und/oder Zughüllen, die in Berührung mit dem Gabelschaft kommen, können zum Versagen des Gabelschafts und in der Folge zum Verlust der Kontrolle über das Fahrrad führen, sodass die Gefahr von SCHWEREN ODER TÖDLICHEN VERLETZUNGEN besteht.

Wenn die Zughülle die Gabelkrone berührt, führt dies mit der Zeit zur Beschädigung der Gabelkrone durch Abrieb. Falls sich der Kontakt nicht vermeiden lässt, verwenden Sie Klebeband oder ähnliches Material, um die Kontaktfläche zu schützen. Schäden durch Abrieb am Marzocchi-Gabelkopf sind von der Marzocchi-Garantie nicht gedeckt.

Unsachgemäße Wartung oder die Verwendung von Fremdbauteilen an Marzocchi-Gabeln können Fehlfunktionen des Produkts verursachen, die zu SCHWEREN ODER TÖDLICHEN VERLETZUNGEN führen können.

Zwischen den Achsaufnahmen der Gabel können sich Schmutz und Verunreinigungen ansammeln. Überprüfen und reinigen Sie diesen Bereich daher stets, bevor Sie das Laufrad einbauen. Eine fehlerhafte Montage von Naben und Achsen kann zu SCHWEREN ODER TÖDLICHEN VERLETZUNGEN führen.

Reinigen Sie Ihr Marzocchi-Produkt nicht mit einem Hochdruckreiniger.

Falls Ihre Gabel Öl verliert, stark ausfedert bzw. durchschlägt oder ungewöhnliche Geräusche macht, fahren Sie nicht mit der Gabel und lassen Sie die Komponente unverzüglich von Marzocchi oder einem zugelassenen Marzocchi-Service-Center überprüfen oder reparieren.

Befolgen Sie zur ordnungsgemäßen Montage und Einstellung des Bremssystems die Herstelleranweisungen. Wenn Sie Ihre Bremsen nicht ordnungsgemäß einbauen und einstellen, kann es zum Verlust der Kontrolle über das Fahrrad kommen, was zu SCHWEREN ODER TÖDLICHEN VERLETZUNGEN führen kann.

Ihre Gabel kann in bestimmten Situationen versagen, wie z. B. wenn Komponenten oder Bauteile der Gabel sich verbiegen oder brechen. Situationen, die zu einem Verlust von Luft und/oder Öl führen, z. B. Unfälle oder längerer Nichtgebrauch, können ebenfalls zum Versagen Ihrer

Gabel führen. Beschädigte und/oder leckende Gabeln können versagen, was zu Unfällen und SCHWEREN ODER TÖDLICHEN VERLETZUNGEN führen kann. Wenn Sie vermuten, dass Ihre Gabel beschädigt sein könnte, fahren Sie nicht mehr mit dem Fahrrad und wenden Sie sich zur Überprüfung und Reparatur an Marzocchi.

Fahrradträger mit Gabelbefestigung können Schäden an den Gabelbeinen und/oder Ausfallenden verursachen, insbesondere in Fällen, in denen die Gabel seitlich belastet wird und/oder wenn das Hinterrad im Fahrradträger nicht fixiert ist. Beschädigte Gabelbeine und/oder Ausfallenden können versagen, was zu Unfällen und SCHWEREN ODER TÖDLICHEN VERLETZUNGEN führen kann. Wenn Sie vermuten, dass Ihre Gabel beschädigt sein könnte, wenden Sie sich zur Überprüfung und Reparatur an Marzocchi.

EINBAU DER GABEL

1. Bauen Sie die vorhandene Gabel aus dem Fahrrad aus. Nehmen Sie den Gabelkonus von der alten Gabel ab. Messen Sie die Gabelschaftlänge der vorhandenen Gabel und übertragen Sie diesen Messwert auf den Gabelschaft Ihrer neuen Marzocchi-Gabel.
Wenn keine alte Gabel vorhanden ist, messen Sie die Bauhöhe des Steuersatzes (Steuersatzteile und Steuerrohr) und lesen Sie in der Anleitung Ihres Vorbauherstellers nach, um eine ausreichende Klemmfläche für den Vorbau sicherzustellen.
2. Kürzen Sie den Gabelschaft auf die benötigte Länge. Bringen Sie am Gabelschaft eine Markierung an und kürzen Sie ihn auf die richtige Länge.

ACHTUNG

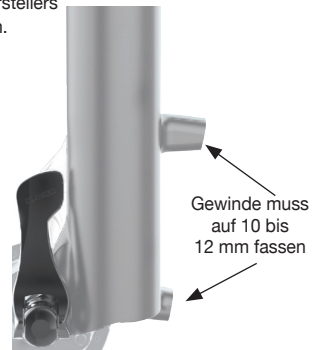
Lesen Sie vor dem Kürzen in der Anleitung des Herstellers Ihres Steuersatzes und Ihres Vorbaus nach, um sicherzustellen, dass der Gabelschaft ausreichend Klemmfläche für die Montage bietet. Bei fehlerhafter Montage kann sich der Vorbau vom Gabelschaft lösen. Dies kann zum Verlust der Kontrolle über das Fahrrad sowie zu SCHWEREN ODER TÖDLICHEN VERLETZUNGEN führen.

3. Bauen Sie den Steuersatz ein. Verwenden Sie stets einen neuen gewindelosen Steuersatz, und befolgen Sie die Montageanleitung des Steuersatzherstellers.
4. Verwenden Sie für Gabelschäfte mit 1 1/2 Zoll Durchmesser einen 39,8-mm-Gabelkonus. Verwenden Sie zum Aufpressen des Gabelkonus ein dafür vorgesehenes Werkzeug, damit der Gabelkonus fest auf der Gabelkrone sitzt.
5. Montieren Sie mit einem dafür vorgesehenen Werkzeug die Spreizmutter 4 bis 10 mm unter der Oberkante des Gabelschafts.
6. Bauen Sie die Gabel in das Fahrrad ein. Bauen Sie die Steuersatzlagerteile und den Vorbau gemäß den Anweisungen des Steuersatzherstellers ein und stellen Sie die Vorspannung des Steuersatzes entsprechend ein, bis er sich ohne Spiel leichtgängig dreht. Ziehen Sie die Vorbauklemmschrauben mit dem vom Vorbauhersteller vorgeschriebenen Drehmoment an.
7. Bauen Sie den Bremsattel gemäß den Anweisungen des Bremsenherstellers ein. Die maximale Brems Scheibengröße für die Super Z beträgt 230 mm.

ACHTUNG

Das Gewinde der Scheibenbremsattel-Befestigungsschrauben muss 10 bis 12 mm in der Gabel fassen. Ziehen Sie die Bremsattel-Befestigungsschrauben mit einem Drehmomentschlüssel auf das vom Hersteller der Scheibenbremse vorgeschriebene Drehmoment an, jedoch nicht auf mehr als 10,2 N-m (90 in-lb). Bei fehlerhafter Montage kann die Bremse versagen. Dies kann zum Verlust der Kontrolle über das Fahrrad sowie zu SCHWEREN ODER TÖDLICHEN VERLETZUNGEN führen.

8. Führen Sie die Bremsleitung oder die Bremszughülle der vorderen Scheibenbremse zur Innenseite des Tauchrohrs und durch die mitgelieferte Scheibenbremsen-Zughüllenführung. Ziehen Sie mit einem Drehmomentschlüssel die Bremsleitungsführungsschraube auf 0,9 N-m (8 in-lb) an.

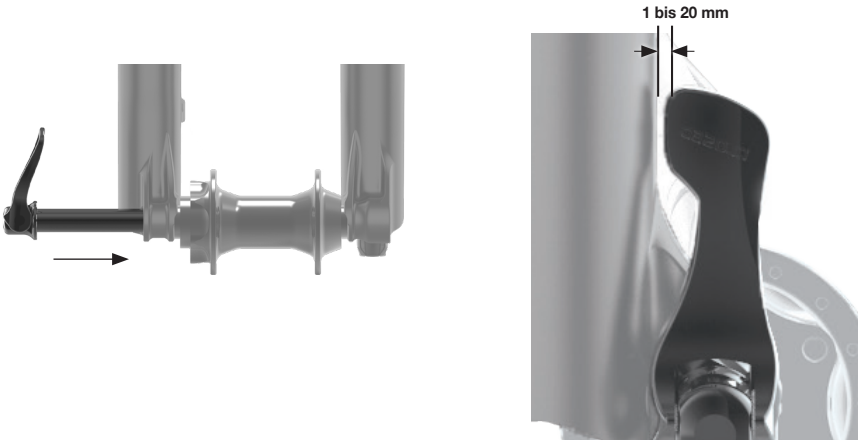


EINBAU DES 15-MM-SCHNELLSPANNERS

1. Setzen Sie das Vorderrad in die Ausfallenden der Gabel ein. Schieben Sie die Achse durch das Ausfallende auf der Antriebsseite und die Nabe.
2. Öffnen Sie den Achshebel.
3. Drehen Sie die Achse um 5 bis 6 volle Umdrehungen im Uhrzeigersinn.
4. Schließen Sie den Hebel. Der Hebel **muss** genügend Spannung haben, um einen Abdruck auf Ihrer Hand zu hinterlassen.
5. Der geschlossene Hebel muss sich 1 bis 20 mm vor dem Gabelbein befinden. Wenn der Hebel nicht genügend Spannung oder zu viel Spannung hat, wenn er in der empfohlenen Position geschlossen ist (1 bis 20 mm vor dem Gabelbein), befolgen Sie die Anweisungen zur Einstellung im nächsten Abschnitt.

⚠ ACHTUNG

Ziehen Sie den Hebel nur von Hand fest. Verwenden Sie keine Werkzeuge, um den Schnellspannhebel festzuziehen. Wenn Sie die Schnellspannhebel zu fest anziehen, können die Achse oder die Gabelausfallenden beschädigt werden, was zum plötzlichen Versagen einer oder mehrerer dieser Komponenten und in der Folge zu SCHWEREN ODER TÖDLICHEN VERLETZUNGEN führen kann. Wenn Sie im umgekehrten Fall die Achse nicht ordnungsgemäß fixieren, einschließlich unzureichender Spannung beim Schließen, kann sich das Laufrad während der Fahrt lösen, sodass die Gefahr von SCHWEREN ODER TÖDLICHEN VERLETZUNGEN besteht.

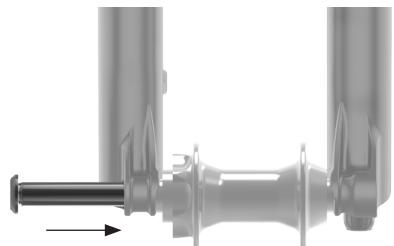


EINSTELLEN DER HEBELPOSITION

1. Notieren Sie, in welche Richtung der Achshebel gedreht werden muss, um mit ausreichend Spannung in der korrekten Ausrichtung zu schließen (1 bis 20 mm vor dem Gabelbein).
2. Öffnen Sie den Achshebel und lösen Sie die Achse von der Gabel.
3. Stecken Sie einen 4-mm-Inbusschlüssel in das Ende der Achse und stellen Sie die Hebelposition in die in Schritt 1 notierte Richtung ein. Wenn der 4-mm-Einsteller ordnungsgemäß eingestellt ist, sollten Sie spüren, dass die Achse unter Spannung gesetzt wird, wenn sich der Schnellspannhebel 90 Grad vor dem vollständigen Schließen in der vertikalen Position befindet.
4. Wiederholen Sie die Schritte zum Einbau der Achse, um den ordnungsgemäßen Einbau und die korrekte Einstellung zu überprüfen.

EINBAU VON KABOLT-ACHSEN

1. Setzen Sie das Vorderrad in die Ausfallenden der Gabel ein. Schieben Sie die Kabolt-Achse durch das Ausfallende auf der Antriebsseite und die Nabe.
2. Ziehen Sie die Kabolt-Achse mit einem 6-mm-Inbusschlüssel im Uhrzeigersinn auf die in den Kopf der Achse eingezätzte Drehmomentspezifikation an.



ÜBERPRÜFUNG DES REIFENABSTANDS

1. Lassen Sie den gesamten Druck aus der Gabel ab, indem Sie das Schrader-Ventil öffnen.

⚠ ACHTUNG

Marzocchi-Gabeln können hohe Luftdrücke enthalten. Lassen Sie vor dem Zerlegen den **GESAMTEN** Luftdruck aus der Hauptluftkammer ab. Andernfalls können Teile oder Flüssigkeiten aus der Gabel herausgeschleudert werden, was zu **SCHWEREN ODER TÖDLICHEN VERLETZUNGEN** führen kann.

2. Federn Sie die Gabel vollständig ein.
3. Messen Sie den Abstand zwischen den Seiten des aufgepumpten Reifens und dem Gabelkopf, der Gabelbrücke und dem Gabelschaft. Der Freiraum muss um den gesamten Reifen herum **MINDESTENS 8,5 mm** betragen.

⚠ ACHTUNG

Wenn zwischen den Seiten des aufgepumpten Reifens und dem Gabelkopf, der Gabelbrücke und dem Gabelschaft kein Freiraum von mindestens 8,5 mm vorhanden ist, kann der Reifen bei vollständig eingefederter Gabel den Gabelkopf berühren, was zu **SCHWEREN ODER TÖDLICHEN VERLETZUNGEN** führen kann.

4. Erhöhen Sie den Luftdruck mit einer Hochdruckpumpe auf die gewünschte Einstellung. Stellen Sie die Nachgiebigkeit wie in der Online-Anleitung auf www.Marzocchi.com beschrieben ein.
5. Sie müssen diese Prüfung **JEDES MAL** wiederholen, wenn Sie Reifen oder Felgen wechseln.

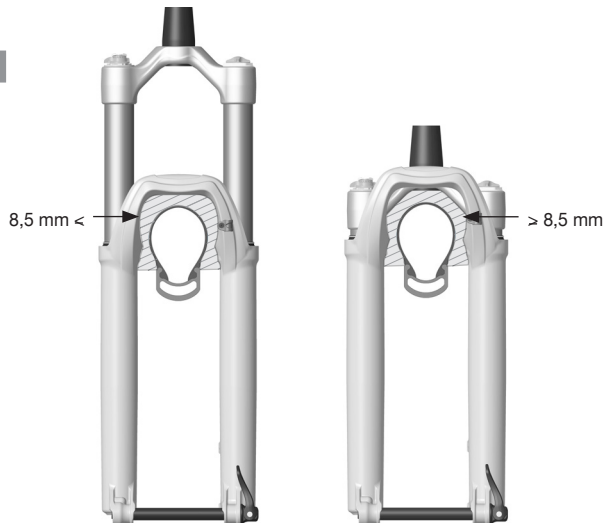
⚠ ACHTUNG

Überschreiten Sie nicht den maximalen Luftdruck:

Der maximale Luftdruck für die Super Z beträgt 8,3 bar (120 psi).

Der Mindestluftdruck beträgt: 2,8 bar (40 psi).

Der Druck ist bei einer Umgebungstemperatur von 21 bis 24 °C (70 bis 75 °F) zu messen. Der normale Betriebstemperaturbereich für Marzocchi-Produkte beträgt -7 bis 60 °C (20 bis 140 °F).



LUFTFEDER-VOLUMENSPACER

Volumenspacer ermöglichen bei Marzocchi Super Z-Gabeln eine einfache interne Anpassung, mit der Sie den Federweg im mittleren Bereich und den Durchschlagswiderstand abstimmen können. Wenn Sie die Nachgiebigkeit richtig eingestellt haben und der gesamte Federweg (Durchschlagen) zu einfach erreicht wird, können Sie einen oder mehrere Spacer installieren, um den Durchschlagswiderstand zu erhöhen. Wenn der gesamte Federweg nicht erreicht wird, können Sie einen oder mehrere Spacer entfernen, um den Durchschlagswiderstand zu verringern.

1. Entfernen Sie die Luftventilkappe.
2. Lassen Sie den gesamten Druck aus der Gabel ab, indem Sie das Schrader-Ventil öffnen.

ACHTUNG

Marzocchi-Gabeln können hohe Luftdrücke enthalten. Lassen Sie vor dem Zerlegen den GESAMTEN Luftdruck aus der Hauptluftkammer ab. Andernfalls können Teile oder Flüssigkeiten aus der Gabel herausgeschleudert werden, was zu SCHWEREN ODER TÖDLICHEN VERLETZUNGEN führen kann.

3. Lösen Sie die Abdeckkappe vorsichtig mit einem planen 32-mm-Sechskant-Steckschlüssel von der Gabel.
4. Ziehen Sie die Abdeckkappe nach oben, um die Abdeckkappen-Baugruppe von der Gabelkrone abzuheben.
5. Verschieben Sie das bzw. die Volumendistanzstück(e) in horizontaler Richtung, um sie an der Abdeckkappe zu montieren oder davon zu entfernen.

ACHTUNG

Bauen Sie nicht mehr als die maximal für Ihre Gabel zulässige Anzahl an Spacern ein. Dies könnte die Gabel beschädigen. Informationen zu Volumenspacern finden Sie online unter www.Marzocchi.com.

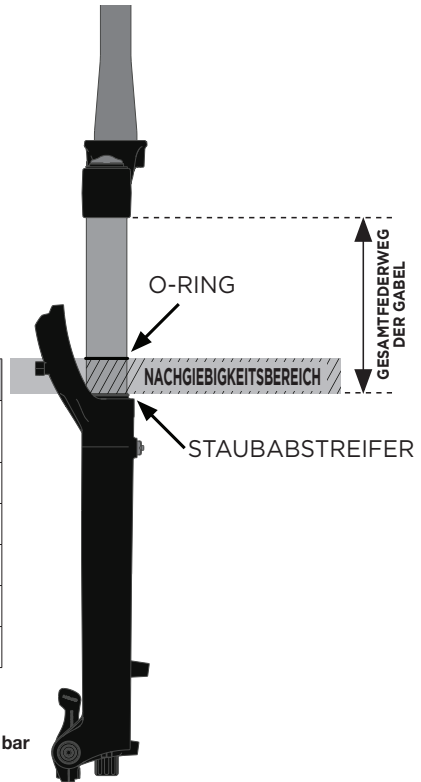
6. Setzen Sie die Abdeckkappe wieder in den Gabelkopf ein und ziehen Sie sie mit einem planen 32-mm-Sechskant-Steckschlüssel auf 24,8 N·m (220 in·lb) an.
7. Erhöhen Sie den Luftdruck mit einer Hochdruckpumpe auf die gewünschte Einstellung. Stellen Sie die Nachgiebigkeit wie in der Online-Anleitung auf www.Marzocchi.com beschrieben ein.

EINSTELLEN DER NACHGIEBIGKEIT

Um mit Ihrer Marzocchi-Federung eine optimale Leistung zu erzielen, passen Sie den Luftdruck an, um die Nachgiebigkeit wie erforderlich einzustellen. Die Nachgiebigkeit ist der Weg, um den Ihre Federung durch Ihr Körpergewicht und die Fahrradkleidung einfedert. Die Nachgiebigkeit sollte auf 15 bis 20 % des **Gesamtfederwegs der Gabel** eingestellt werden.

Stellen Sie sicher, dass sich beim Einstellen der Nachgiebigkeit der Druckstufenhebel im OFFENEN Modus befindet.

Schauen Sie sich das Video zum Einstellen der Nachgiebigkeit unter ridefox.com/sagsetup AN.



Empfohlene Nachgiebigkeitswerte		
Federweg	15 % Nachgiebigkeit (Hart)	20 % Nachgiebigkeit (Weich)
150 mm (5,9 in)	22 mm (0,9 in)	30 mm (1,2 in)
160 mm (6,3 in)	24 mm (1,0 in)	32 mm (1,3 in)
170 mm (6,7 in)	26 mm (1,0 in)	34 mm (1,3 in)
180 mm (7 in)	27 mm (1,0 in)	36 mm (1,4 in)
190 mm (7,7 in)	28,5 mm (1,1 in)	38 mm (1,6 in)

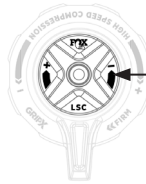
! Überschreiten Sie nicht den maximalen Luftdruck:
Der maximale Luftdruck für die **Super Z** beträgt **8,3 bar (120 psi)**.

Empfohlene Ausgangspunkte für die Einstellung der Nachgiebigkeit			
Fahrgewicht (lbs)	Fahrgewicht (kg)	Super Z Druck	Super Z Zugstufeneinstellung
120-130	54-59	3,7 bar (54 psi)	13
130-140	59-64	4,0 bar (58 psi)	12
140-150	64-68	4,3 bar (62 psi)	11
150-160	68-73	4,6 bar (67 psi)	10
160-170	73-77	4,9 bar (71 psi)	9
170-180	77-82	5,2 bar (75 psi)	8
180-190	82-86	5,4 bar (79 psi)	7
190-200	86-91	5,7 bar (83 psi)	6
200-210	91-95	6,0 bar (87 psi)	5
210-220	95-100	6,3 bar (92 psi)	4
220-230	100-104	6,6 bar (96 psi)	3
230-240	104-109	6,9 bar (100 psi)	2
240-250	109-113	7,2 bar (104 psi)	1

EINSTELLUNG DER DRUCKSTUFE

DRUCKSTUFENEINSTELLUNG FÜR DIE GRIP X

Verwenden Sie diese Grafik als Ausgangspunkt für die Druckstufeneinsteller. **Drehen Sie die Druckstufeneinsteller bis zum Anschlag (vollständig im Uhrzeigersinn) in die geschlossene Position. Drehen Sie die Einsteller dann (gegen den Uhrzeigersinn) die unten angegebene Anzahl von Klicks zurück.**



Die Einstellung der Highspeed-Druckstufe ermöglicht das Steuern des Federverhaltens der Gabel bei stärkeren Stößen, Landungen nach Sprüngen und an kantigen Unebenheiten.

Die Einstellung der Lowspeed-Druckstufe ermöglicht das Steuern des Federverhaltens der Gabel bei Verlagerungen des Fahrergewichts, beim Springen und bei langsamer Krafteinwirkung.

OFFEN
15 KLICKS



HIGHSPEED-DRUCKSTUFE (HSC)

GESCHLOSSEN
(VOLLSTÄNDIG IM UHRZEIGERSINN)

OFFEN
16 KLICKS



LOWSPEED-DRUCKSTUFE (LSC)

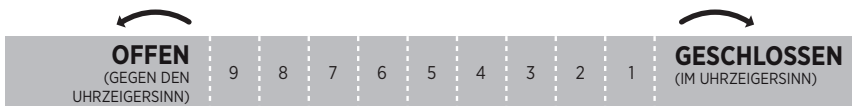
GESCHLOSSEN
(VOLLSTÄNDIG IM UHRZEIGERSINN)

GERINGSTE DRUCKSTUFEN-DÄMPFUNG; DÄMPFER FEDERT AM **WEICHSTEN** EIN

HÖCHSTE DRUCKSTUFENDÄMPFUNG; DÄMPFER FEDERT AM **HÄRTESTEN** EIN

EINSTELLUNG DER ZUGSTUFE

Die **Zugstufe** legt die Geschwindigkeit fest, mit der die Gabel nach der Belastung ausfedert. Die Zugstufeneinstellung hängt von der Einstellung des Luftdrucks ab. Höhere Luftdrücke erfordern beispielsweise niedrigere Zugstufeneinstellungen. Bestimmen Sie Ihre Zugstufeneinstellung anhand des Luftdrucks. Der Zugstufeneinsteller befindet sich unter dem Gabelbein auf der Dämpferseite.



GERINGSTE ZUGSTUFENEINSTELLUNG, GABEL FEDERT AM **SCHNELLSTEN** AUS

HÖCHSTE ZUGSTUFENEINSTELLUNG, GABEL FEDERT AM **LANGSAMSTEN** AUS

GRIP X ZUGSTUFE



Drehen Sie den Zugstufeneinsteller in die geschlossene Position, d. h. bis zum Anschlag im Uhrzeigersinn. Drehen Sie ihn dann um die in der Tabelle auf Seite 45 angegebene Anzahl Klicks gegen den Uhrzeigersinn.

ZUSÄTZLICHE ABSTIMMUNGSOPTIONEN

CLIP-ON-VOLUMENSPACER

Volumenspacer ermöglichen bei der Super Z-Gabel eine einfache interne Anpassung, mit der Sie den Federweg im mittleren Bereich und den Durchschlagswiderstand abstimmen können.

Wenn Sie die Nachgiebigkeit richtig eingestellt haben und der gesamte Federweg (Durchschlagen) zu einfach erreicht wird, können Sie einen oder mehrere Spacer installieren, um den Durchschlagswiderstand zu erhöhen.

Wenn Sie die Nachgiebigkeit richtig eingestellt haben und der gesamte Federweg nicht ausgenutzt wird, können Sie den Spacer entfernen, um den Durchschlagswiderstand zu verringern.

Einbauverfahren und Abstimmungsoptionen sind online verfügbar unter: ridefox.com/ownersmanuals

Konfigurationen für Super Z-Volumenspacer		
Federweg	Ab Werk installierte Volumenspacer	* Max. Anzahl Volumenspacer
190 mm	0	4
180 mm	1	5
170 mm	2	6
160 mm	3	7
150 mm	4	8

WARTUNG

Die ordnungsgemäße Reinigung Ihres Marzocchi-Produkts zwischen den Fahrten und die regelmäßige Wartung tragen dazu bei, die Reparaturkosten zu senken und die Haltbarkeit des Produkts zu verlängern.

Weitere Informationen zu Wartungsverfahren finden Sie unter www.Marzocchi.com oder erkundigen Sie sich bei Marzocchi USA nach unserem umfassenden Wartungsservice (**1.800.369.7469**).

Minimal empfohlene Wartungsmaßnahmen	Vor jeder Fahrt	Nach jeder Fahrt	Regelmäßig	Alle 125 Stunden oder jährlich (der frühere Zeitpunkt gilt)*
Überprüfen Sie sorgfältig das Äußere der Gabel. Wenn Sie Beschädigungen feststellen, dürfen Sie die Gabel nicht benutzen. Wenden Sie sich zur Reparatur an Ihren Händler oder an Marzocchi.	X			
Stellen Sie sicher, dass die Schnellspannhebel und -achsen ordnungsgemäß eingestellt und angezogen sind.	X			
Überprüfen Sie die Einstellung des Steuersatzes. Wenn der Steuersatz sich gelöst hat, ziehen Sie ihn gemäß den Herstelleranweisungen fest.	X			
Vergewissern Sie sich, dass alle Bremszüge bzw. -leitungen ordnungsgemäß befestigt sind. Überprüfen Sie die ordnungsgemäße Funktion der Vorderrad- und Hinterradbremse auf ebener Strecke.	X			
Reinigen Sie die Komponenten von außen nur mit milder Seife und Wasser; trocknen Sie sie dann mit einem trockenen, weichen Tuch ab. Verwenden Sie keinen Hochdruckreiniger und sprühen Sie kein Wasser direkt auf die Dichtung.		X		
Überprüfen Sie die Nachgiebigkeits- und Dämpfereinstellungen. Überprüfen Sie die Bedienelemente auf sichtbare Schäden und ordnungsgemäße Funktion.			X	
Vollständige Wartung (vollständige innere/ äußere Inspektion, Dämpferüberholung, Luftfederüberholung, Ölwechsel und Erneuerung der Staubabstreifer).				X

* Für liftgestütztes Downhill, Parks oder Extreme Freeride sowie bei extrem feuchten/ schlammigen oder trockenen/staubigen Fahrbedingungen, wenn Schlamm und Staub während der Fahrt auf die Gabel gelangen, empfiehlt Marzocchi, die Wartung in kürzeren Abständen als oben aufgeführt durchzuführen. Wenn Sie etwas Ungewöhnliches hören, sehen oder spüren, steigen Sie sofort vom Fahrrad und wenden Sie sich an ein zugelassenes Marzocchi Service-Center, um Ihr Produkt warten zu lassen.

Marzocchi gewährt auf seine Federungsprodukte folgende EINGESCHRÄNKTE GARANTIE:

EINGESCHRÄNKTE GARANTIE VON MARZOCCHI

EINGESCHRÄNKTE EIN (1)-JÄHRIGE GARANTIE AUF FEDERUNGSPRODUKTE

Gemäß den hier dargelegten Beschränkungen und Bestimmungen gewährleistet Marzocchi gegenüber dem Originalkäufer jedes neuen Marzocchi-Federungsprodukts, dass das Marzocchi-Federungsprodukt im Neuzustand frei von Material- und Herstellungsfehlern ist. Der Garantiezeitraum endet ein (1) Jahr nach dem Datum des Kaufs des Original-Marzocchi-Federungsprodukts im Einzelhandel bei einem zugelassenen Marzocchi-Händler oder einem von Marzocchi zugelassenen Originalhersteller, wenn die Marzocchi-Federung als Originalausstattung an einem gekauften Fahrrad erworben wird.

GARANTIEBEDINGUNGEN

Diese eingeschränkte Garantie gilt für das Marzocchi-Federungsprodukt, sofern es unter normalen Bedingungen und wie von Marzocchi vorgeschrieben ordnungsgemäß gewartet wird. Diese eingeschränkte Garantie gilt nur für Marzocchi-Federungsprodukte, die neu von einem zugelassenen Marzocchi-Händler gekauft wurden, und wird nur dem Erstkäufer (Verbraucher) des neuen Marzocchi-Federungsprodukts gewährt. Sie ist nicht auf nachfolgende Besitzer übertragbar.

Sollte durch Marzocchi nach seinem alleinigen und endgültigen Ermessen festgestellt werden, dass ein Marzocchi-Federungsprodukt von dieser eingeschränkten Garantie gedeckt ist, wird es nach alleiniger, endgültiger und verbindlicher Entscheidung von Marzocchi repariert oder durch ein vergleichbares Modell ersetzt. WEITERGEHENDE ANSPRÜCHE GEMÄSS DIESER EINGESCHRÄNKTEN GARANTIE SIND AUSGESCHLOSSEN. JEGLICHE SONSTIGEN ANSPRÜCHE UND SCHADENERSATZFORDERUNGEN, DIE GEMÄSS DIESER EINGESCHRÄNKTEN GARANTIE SONSTIG ANWENDBAR SEIN KÖNNEN, WERDEN AUSGESCHLOSSEN, EINSCHLIESSLICH, JEDOCH NICHT BESCHRÄNKT AUF DIE HAFTUNG FÜR ZUFÄLLIGE ODER FOLGESCHÄDEN SOWIE BUSSGELDER.

Diese eingeschränkte Garantie gilt nicht für Schäden infolge von normalem Verschleiß sowie Fehlfunktionen oder Ausfälle, die infolge von Missbrauch, fehlerhafter Montage, Fahrlässigkeit, Veränderungen, unsachgemäßer Wartung, Unfällen, unsachgemäßem Gebrauch oder Kollisionen entstehen.

Diese eingeschränkte Garantie räumt dem Kunden spezifische Rechte ein. Dem Kunden stehen gemäß nationalen Gesetzen möglicherweise Rechte zu, die von dieser eingeschränkten Garantie nicht betroffen sind. Wenn ein zuständiges Gericht aus jeglichem Grund eine Bestimmung dieser eingeschränkten Garantie als unwirksam erachtet, wirkt sich dies nicht auf die anderen Bestimmungen dieser eingeschränkten Garantie aus, und sämtliche anderen Bestimmungen bleiben wirksam.

DIES IST DIE EINZIGE GARANTIE, DIE MARZOCCHI AUF SEINE FEDERUNGSPRODUKTE UND -KOMPONENTEN GEWÄHRT. JEGLICHE GARANTIEEN, DIE ÜBER DIE HIER BESCHRIEBENEN HINAUSGEHEN, WERDEN AUSGESCHLOSSEN. JEGLICHE KONKLUDENTEN GESETZLICHEN GARANTIEEN, INSBESONDERE JEGLICHE KONKLUDENTE GARANTIE DER MARKTGÄNGIGKEIT ODER EIGNUNG FÜR EINEN BESTIMMTEN ZWECK, WERDEN AUSGESCHLOSSEN.

Diese eingeschränkte Garantie unterliegt ausschließlich der Gesetzgebung des US-Bundesstaates Kalifornien.

Für Fragen bezüglich dieser Garantie oder Marzocchi-Produkten wenden Sie sich bitte telefonisch an die US-Kundendienst-Abteilung von Marzocchi unter 1-800-369-7469, oder besuchen Sie www.Marzocchi.com.

Um einen Garantieanspruch im Rahmen dieser eingeschränkten Garantie geltend zu machen, müssen Sie Folgendes in einem zugelassenen FOX Service-Center vorlegen bzw. an ein zugelassenes Marzocchi Service-Center senden:

1. Das Produkt (oder das betroffene Teil) und
2. Eine Kopie des Originalkaufbelegs, auf welcher der Name und die Anschrift des Verkäufers, der Kaufort und das Kaufdatum, die Produktteilenummer und gegebenenfalls eine Seriennummer angegeben sind. Wenn Marzocchi-Produkte als Teil eines kompletten Fahrrads verkauft werden, sind die Marke des Fahrrads, das Modell, das Modelljahr und die Seriennummer anzugeben.

Marzocchi ist eine Marke der FOX Factory, Inc.

¡ENHORABUENA!

Gracias por elegir un producto de suspensión Marzocchi para su bicicleta. Todos los productos de suspensión Marzocchi han sido diseñados, probados y fabricados por los mejores profesionales del sector, en el condado de Santa Cruz, California, EE. UU.

Para una adecuada instalación, utilización y mantenimiento de su nuevo producto Marzocchi, siga las instrucciones y recomendaciones que se ofrecen en esta guía del propietario.

Puede obtener más información y vídeos en www.Marzocchi.com, o bien llamando a Marzocchi de EE. UU. al 1.800.369.7469 o poniéndose en contacto con un centro de servicio internacional autorizado de Marzocchi, cuyos datos podrá encontrar en www.Marzocchi.com. Si no dispone de acceso a Internet, póngase en contacto con Marzocchi a fin de solicitar gratuitamente una copia impresa del manual del propietario en línea de Marzocchi para su producto.

ADVERTENCIA E INFORMACIÓN DE SEGURIDAD

Los productos Marzocchi deben ser instalados por un técnico de mantenimiento de bicicletas profesional, siguiendo las especificaciones de instalación de Marzocchi. Una horquilla mal instalada puede fallar, provocando la pérdida de control de la bicicleta, lo que puede ocasionar LESIONES GRAVES O LA MUERTE.

La modificación o alteración de productos Marzocchi puede provocar el fallo del producto y ocasionar LESIONES GRAVES O LA MUERTE. No modifique ni altere nunca NINGUNA pieza de un producto Marzocchi (ya sean los resortes helicoidales, la cruceta del brazo inferior, la corona, el tubo de dirección, los tubos superiores, el brazo inferior, la lata de aire, la tija de sillín, los espaciadores de volumen de aire, las piezas internas, las cuñas metálicas adaptadoras para el eje, los adaptadores de eje o cualquier otra pieza).

Los productos de suspensión para bicicletas Marzocchi se pueden utilizar también en bicicletas eléctricas de Clase 1 (según la denominación estadounidense) y L1e-A (según la denominación europea).

Los productos de suspensión Marzocchi E-BIKE+ pueden utilizarse en bicicletas eléctricas de Clase 3 (según la denominación estadounidense) y L1e-B (según la denominación europea).

NO utilice ningún producto de suspensión para bicicletas Marzocchi en ningún vehículo a motor o bicicleta motorizada con pedaleo asistido cuya velocidad máxima en modo asistido supere los 32 km/h (20 mph) o cuyo peso máximo de sistema sea superior a 140 kg (308 lb).

NO utilice ningún producto de suspensión Marzocchi E-BIKE+ en ningún vehículo a motor o bicicleta motorizada con pedaleo asistido cuya velocidad máxima en modo asistido supere los 45 km/h (28 mph) o cuyo peso máximo de sistema sea superior a 169 kg (372 lb).

NO utilice ningún producto de suspensión para bicicletas Marzocchi en vehículos motorizados equipados con acelerador.

El uso incorrecto de los productos de suspensión Marzocchi puede provocar el fallo de la suspensión, lo que a su vez puede ocasionar daños a la propiedad, LESIONES GRAVES O LA MUERTE, y anulará la garantía.

NO utilice los productos de suspensión para bicicletas Marzocchi en vehículos que transporten a más de una persona, como una bicicleta tándem o una bicicleta de uso pesado.

No retire ni vuelva a colocar el tubo de dirección. Podría provocar la pérdida de control de la bicicleta y ocasionar LESIONES GRAVES O LA MUERTE.

No intente extraer ni sustituir el tubo de dirección o los tubos superiores por separado de la corona. Modificar piezas integradas como la corona, el tubo de dirección

o los tubos superiores puede dar lugar a un fallo de todo el conjunto que ocasione la pérdida de control de la bicicleta, provocando LESIONES GRAVES O LA MUERTE.

No corte el tubo de dirección más de tres (3) mm por debajo de la pieza instalada más arriba. Si por error corta demasiado el tubo de dirección, ¡CÁMBIELO POR UNO NUEVO! El uso de una horquilla con un acoplamiento con el tubo de dirección demasiado corto puede ocasionar un fallo repentino de la horquilla, lo que puede causar la pérdida de control de la bicicleta y provocar LESIONES GRAVES O LA MUERTE.

Si el tubo de dirección tiene muescas o estrías, las cuales se pueden percibir al pasar la uña, deberá cambiar el conjunto de la corona/tubo de dirección. Una muesca o estría podría producir el fallo del tubo de dirección, lo que puede ocasionar la pérdida de control de la bicicleta y provocar LESIONES GRAVES O LA MUERTE.

No intente nunca crear roscas en los tubos de dirección sin rosca de las horquillas Marzocchi. Crear roscas en un tubo de dirección sin rosca puede provocar el fallo del tubo de dirección, que ocasionaría la pérdida de control de la bicicleta y podría causar LESIONES GRAVES O LA MUERTE.

No utilice nunca más de 30 mm de espaciadores por debajo de la potencia, ya que esto podría ocasionar el fallo del tubo de dirección y causar LESIONES GRAVES O LA MUERTE.

No deje nunca que elementos como el cable o la funda del cable entren en contacto con el tubo de dirección de la horquilla. Si en su bicicleta los cables y su funda van por dentro, consulte las instrucciones de seguridad de la guía del propietario del fabricante de la bicicleta. Si el cable o su funda entran en contacto con el tubo de dirección, este podría averiarse, lo que ocasionaría la pérdida de control de la bicicleta y podría causar LESIONES GRAVES O LA MUERTE.

Si la funda del cable toca la corona de la horquilla, con el tiempo acabará dañando la corona por abrasión. Si no es posible evitar el contacto entre los componentes, cubra el punto de contacto con cinta aislante o una protección similar. La garantía Marzocchi no cubre los daños por abrasión que pueda sufrir la horquilla Marzocchi.

Un mantenimiento inadecuado o el uso de recambios no originales de Marzocchi en las horquillas Marzocchi pueden provocar fallos de funcionamiento en el producto y ocasionar LESIONES GRAVES O LA MUERTE.

Dado que pueden haberse acumulado residuos y suciedad entre las aberturas del eje de la horquilla, antes de instalar la rueda, compruebe y limpie siempre toda esa zona. Una instalación incorrecta del eje y el buje puede provocar LESIONES GRAVES O LA MUERTE.

No utilice nunca máquinas de lavado a presión para limpiar los productos Marzocchi.

Si la horquilla pierde aceite, hace tope excesivamente por arriba o por abajo o emite ruidos extraños, no la use y póngase en contacto inmediatamente con Marzocchi o con un centro de servicio técnico autorizado de Marzocchi para efectuar las inspecciones o reparaciones necesarias.

Para instalar y ajustar correctamente el sistema de frenos, siga las instrucciones del fabricante de los frenos. No instalar y ajustar correctamente los frenos puede provocar la pérdida de control de la bicicleta y ocasionar LESIONES GRAVES O LA MUERTE.

La horquilla puede fallar ante una situación que provoque el doblamiento de alguna de sus piezas o su rotura. Cualquier situación que provoque la pérdida de aire o aceite, como una colisión o un largo período de inactividad, también puede dar lugar a un fallo de la

horquilla. Una horquilla dañada o con fugas puede dejar de funcionar correctamente y ocasionar un accidente que provoque LESIONES GRAVES O LA MUERTE. Si sospecha que la horquilla está dañada, deje de montar inmediatamente y póngase en contacto con Marzocchi para su inspección y reparación.

Los portabicicletas que sujetan la bicicleta por la horquilla pueden dañar los brazos de la horquilla o sus punteras, especialmente si la horquilla está sometida a cargas laterales o si la rueda trasera no va fijada al portabicicletas. Una horquilla con sus brazos o punteras dañados puede llegar a fallar y ocasionar un accidente que provoque LESIONES GRAVES O LA MUERTE. Si sospecha que la horquilla está dañada, póngase en contacto con Marzocchi para su inspección y reparación.

INSTALACIÓN DE LA HORQUILLA

1. Retire la horquilla antigua de la bicicleta. Retire la pista de rodadura de la corona de la antigua horquilla. Mida la longitud del tubo de dirección de la antigua horquilla y traslade esa medida al tubo de dirección de la nueva horquilla Marzocchi.
Si no tiene la horquilla antigua, mida la altura de la pila del juego de dirección (piezas del juego de dirección y tubo de cabeza del cuadro) y consulte las instrucciones del fabricante de la potencia para garantizar que habrá una superficie de acoplamiento suficiente para la potencia.
2. Corte el tubo de dirección a la longitud adecuada. Marque el tubo de dirección y córtelo a la longitud adecuada.

⚠ ADVERTENCIA

Antes de cortar, consulte las instrucciones del fabricante del juego de dirección y de la potencia a fin de asegurarse de que quedará una longitud suficiente de tubo de dirección para conseguir un correcto acoplamiento con la potencia. Una instalación incorrecta puede provocar que la potencia se separe del tubo de dirección, lo que ocasionaría la pérdida de control de la bicicleta y podría provocar LESIONES GRAVES O LA MUERTE.

3. Instale el juego de dirección. Utilice siempre un juego de dirección sin rosca nuevo y siga las instrucciones del fabricante.
4. Instale una pista de rodadura de la corona de 39,8 mm en los tubos de dirección de 1 1/2 pulg. Utilice un dispositivo de montaje de pistas de rodadura de la corona para instalar la pista firmemente contra la parte superior de la corona.
5. Utilizando una herramienta para tuercas en estrella, instale la tuerca en estrella dejándola entre 4 y 10 mm por debajo del extremo superior del tubo de dirección.
6. Instale la horquilla en la bicicleta. Instale la potencia y las piezas de rodamiento del juego de dirección siguiendo las instrucciones del fabricante del juego; a continuación, ajuste adecuadamente la precarga del juego de dirección hasta que deje de notar holgura o un arrastre excesivo del rodamiento. Apriete los pernos de acoplamiento en la potencia, siguiendo las especificaciones de par indicadas por el fabricante de la potencia.
7. Instale los frenos siguiendo las instrucciones del fabricante del freno. El tamaño máximo del rotor de la Super Z es de 230 mm.

⚠ ADVERTENCIA

Los pernos de fijación de la pinza de freno de disco deben quedar enroscados en la horquilla entre 10 y 12 mm. Utilice una llave dinamométrica para apretar los pernos de fijación de la pinza del freno siguiendo las instrucciones del fabricante del freno de disco, pero sin superar los 10,2 N·m (90 pulg.-lb). Una instalación incorrecta puede provocar un fallo de frenado, ocasionar la pérdida de control de la bicicleta y causar LESIONES GRAVES O LA MUERTE.

8. Pase el manguito o la funda del cable del freno de disco delantero por dentro del brazo inferior, a través de la guía provista. Con una llave dinamométrica, apriete el tornillo de la guía del manguito del freno de disco a un par de 0,9 N·m (8 pulg.-lb).

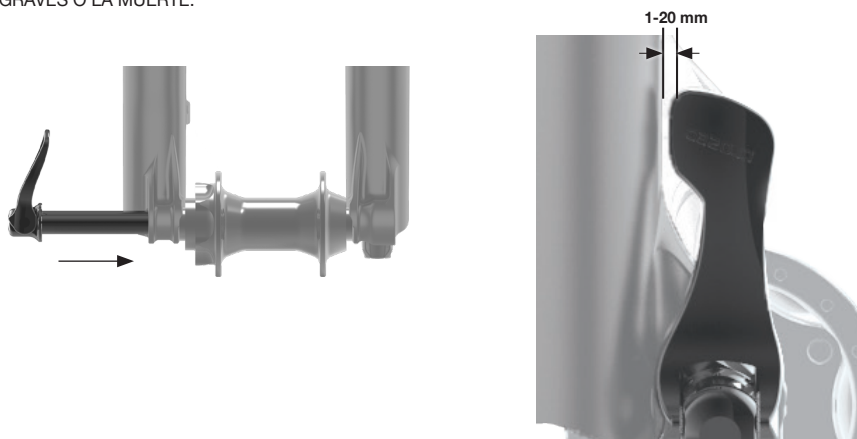


INSTALACIÓN DEL CIERRE RÁPIDO (QR) DE 15 MM

1. Instale la rueda delantera en las punteras de la horquilla. Introduzca el eje a través del buje y de la puntera del lado motriz.
2. Abra la palanca del eje.
3. Enrosque el eje entre 5 y 6 vueltas completas en sentido horario.
4. Cierre la palanca. La palanca **debe** estar lo bastante dura como para dejar una marca en la mano.
5. La palanca cerrada debe quedar entre 1 y 20 mm por delante del brazo de la horquilla. Si una vez cerrada en la posición recomendada (entre 1 y 20 mm por delante del brazo de la horquilla) la palanca no está lo bastante dura, o lo está demasiado, realice los ajustes que se indican en el apartado siguiente.

⚠ ADVERTENCIA

Presione únicamente con la mano. No use ninguna herramienta para apretar la palanca de cierre rápido. Si aprieta demasiado la palanca, podría dañar el eje o las punteras de la horquilla, lo que podría ocasionar un fallo súbito de uno o varios de estos componentes y provocar LESIONES GRAVES O LA MUERTE. Por el contrario, si el eje no está bien sujeto, lo que incluye una tensión insuficiente tras el cierre, la rueda podría desprenderse de la bicicleta y ocasionar LESIONES GRAVES O LA MUERTE.

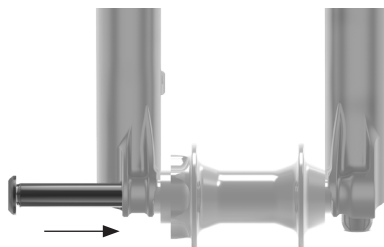


AJUSTE DE LA POSICIÓN DE LA PALANCA

1. Observe en qué dirección debe girar la palanca del eje para cerrarse con suficiente tensión en la orientación correcta (1-20 mm por delante del brazo de la horquilla).
2. Abra la palanca del eje y desenrosque el eje de la horquilla.
3. Utilice una llave Allen de 4 mm en el extremo del eje para ajustar la posición de la palanca en la dirección observada en el paso 1. Con el ajustador de 4 mm correctamente colocado, debería empezar a sentir tensión en el eje cuando la palanca QR esté a 90 grados del cierre total en posición vertical.
4. Repita las instrucciones de instalación del eje para comprobar que la instalación y el ajuste se han realizado correctamente.

INSTALACIÓN DEL KABOLT

1. Instale la rueda delantera en las punteras de la horquilla. Introduzca el eje Kabolt a través del buje y de la puntera del lado motriz.
2. Utilice una llave Allen de 6 mm para apretar el eje Kabolt en sentido horario hasta la especificación de par grabada en su cabeza.



COMPROBACIÓN DE LA SEPARACIÓN RESPECTO AL NEUMÁTICO

1. Libere toda la presión de aire de la horquilla; para ello, presione la válvula Schrader.

⚠ ADVERTENCIA

Las horquillas Marzocchi pueden contener aire a alta presión. Antes de desmontarlas, libere TODA la presión de la cámara de aire principal. De lo contrario, podrían salir disparadas algunas piezas o líquido de la horquilla, lo cual puede provocar LESIONES GRAVES O LA MUERTE.

2. Comprima a tope la horquilla.
3. Mida la distancia entre el borde del neumático inflado y la corona, la abrazadera de la horquilla y el tubo de dirección. Debe quedar COMO MÍNIMO una separación de 8,5 mm alrededor de todo el neumático.

⚠ ADVERTENCIA

Si no hay al menos 8,5 mm de espacio de separación entre el borde del neumático inflado y la corona, la abrazadera de la horquilla y el tubo de dirección, el neumático podría atascarse contra la corona cuando la horquilla se comprima por completo, lo cual podría ocasionar LESIONES GRAVES O LA MUERTE.

4. Aumente la presión de aire hasta el nivel deseado con una bomba de alta presión. Ajuste el hundimiento siguiendo las instrucciones en línea que encontrará en www.Marzocchi.com.
5. Deberá repetir esta prueba CADA VEZ que cambie de neumático o de llanta.

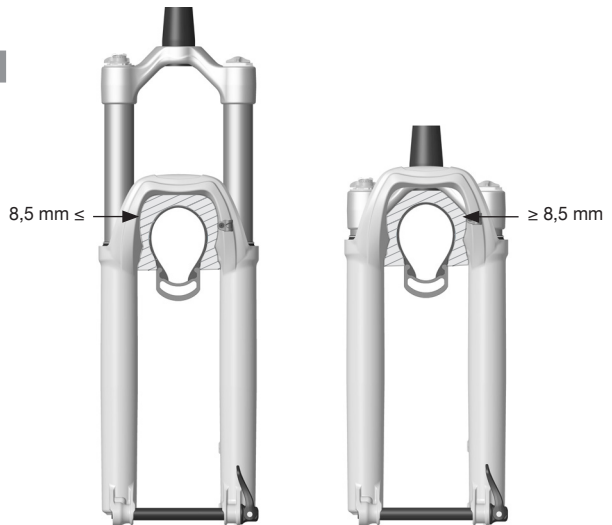
⚠ ADVERTENCIA

No supere la presión de aire máxima:

La presión de aire máxima de la Super Z es 8,3 bar (120 psi).

Presión de aire mínima: 2,8 bar (40 psi).

Presión medida a una temperatura ambiente entre 21 y 24 °C (70 y 75 °F). El intervalo normal de temperatura de funcionamiento de los productos Marzocchi es de -7 a 60 °C (20 a 140 °F).



ESPACIADORES DE VOLUMEN DEL RESORTE NEUMÁTICO

La sustitución de espaciadores de volumen en las horquillas Marzocchi Super Z es un ajuste interno muy sencillo que permite cambiar la resistencia a media carrera y a tocar fondo. Si a pesar de haber ajustado correctamente el hundimiento, se utiliza todo el recorrido con demasiada facilidad, puede instalar uno o varios espaciadores para aumentar la resistencia de alcance del fondo. Si no se utiliza todo el recorrido, puede retirar uno o varios espaciadores para reducir la resistencia de alcance del fondo.

1. Quite el tapón de aire.
2. Libere toda la presión de aire de la horquilla; para ello, presione la válvula Schrader.

ADVERTENCIA

Las horquillas Marzocchi pueden contener aire a alta presión. Antes de desmontarlas, libere TODA la presión de la cámara de aire principal. De lo contrario, podrían salir disparadas algunas piezas o líquido de la horquilla, lo cual puede provocar LESIONES GRAVES O LA MUERTE.

3. Desenrosque con cuidado el tapón superior de la horquilla con un vaso hexagonal no biselado de 32 mm.
4. Tire hacia arriba del conjunto de la tapa superior para separarlo de la corona de la horquilla.
5. Coloque horizontalmente espaciadores de volumen de aire para instalarlos o retírelos del tapón superior.

ADVERTENCIA

No supere el número máximo de espaciadores de volumen para la horquilla. Podría dañar la horquilla. Puede encontrar información sobre los espaciadores de volumen en línea en www.Marzocchi.com.

6. Vuelva a instalar el conjunto del tapón superior en la corona de la horquilla y apriételo a un par de 24,8 N·m (220 pulg.-lb) con un vaso hexagonal no biselado de 32 mm.
7. Aumente la presión de aire hasta el nivel deseado con una bomba de alta presión. Ajuste el hundimiento siguiendo las instrucciones en línea que encontrará en www.Marzocchi.com.

AJUSTE DEL HUNDIMIENTO

Para que su suspensión FOX funcione a pleno rendimiento, regule la presión de aire para obtener el ajuste de hundimiento adecuado. El hundimiento es el grado de compresión que experimenta la suspensión bajo el peso del propio ciclista y de su indumentaria. El margen de hundimiento debe ajustarse a una amplitud de entre el 15 y el 20 % del recorrido total de la horquilla.

Asegúrese de ajustar el hundimiento con la palanca de compresión en modo OPEN.

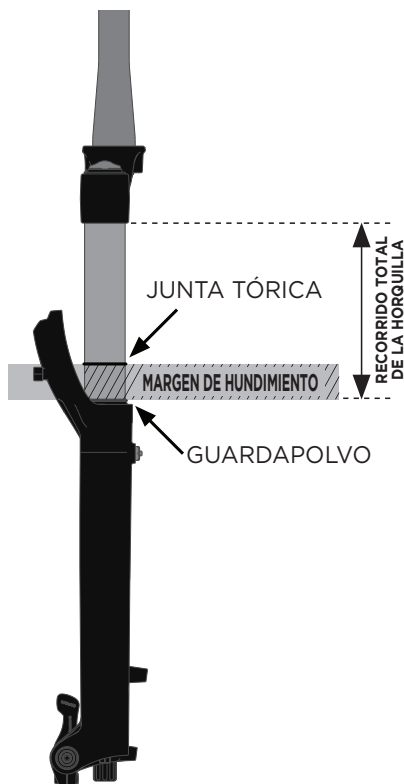
Vea el vídeo de configuración del hundimiento en ridefox.com/sagsetup.

Valores recomendados de hundimiento		
Recorrido	15 % de hundimiento (firme)	20 % de hundimiento (blando)
150 mm (5,9 pulg.)	22 mm (0,9 pulg.)	30 mm (1,2 pulg.)
160 mm (6,3 pulg.)	24 mm (1,0 pulg.)	32 mm (1,3 pulg.)
170 mm (6,7 pulg.)	26 mm (1,0 pulg.)	34 mm (1,3 pulg.)
180 mm (7 pulg.)	27 mm (1,0 pulg.)	36 mm (1,4 pulg.)
190 mm (7,7 pulg.)	28,5 mm (1,1 pulg.)	38 mm (1,6 pulg.)



No supere la presión de aire máxima:

La presión de aire máxima de la **Super Z** es **8,3 bar (120 psi)**.

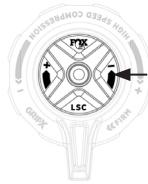


Valores de partida recomendados para ajustar el hundimiento			
Peso del ciclista (lb)	Peso del ciclista (kg)	Presión de la Super Z	Ajuste de rebote de la Super Z
120-130	54-59	3,7 bar (54 psi)	13
130-140	59-64	4,0 bar (58 psi)	12
140-150	64-68	4,3 bar (62 psi)	11
150-160	68-73	4,6 bar (67 psi)	10
160-170	73-77	4,9 bar (71 psi)	9
170-180	77-82	5,2 bar (75 psi)	8
180-190	82-86	5,4 bar (79 psi)	7
190-200	86-91	5,7 bar (83 psi)	6
200-210	91-95	6,0 bar (87 psi)	5
210-220	95-100	6,3 bar (92 psi)	4
220-230	100-104	6,6 bar (96 psi)	3
230-240	104-109	6,9 bar (100 psi)	2
240-250	109-113	7,2 bar (104 psi)	1

AJUSTE DE LA COMPRESIÓN

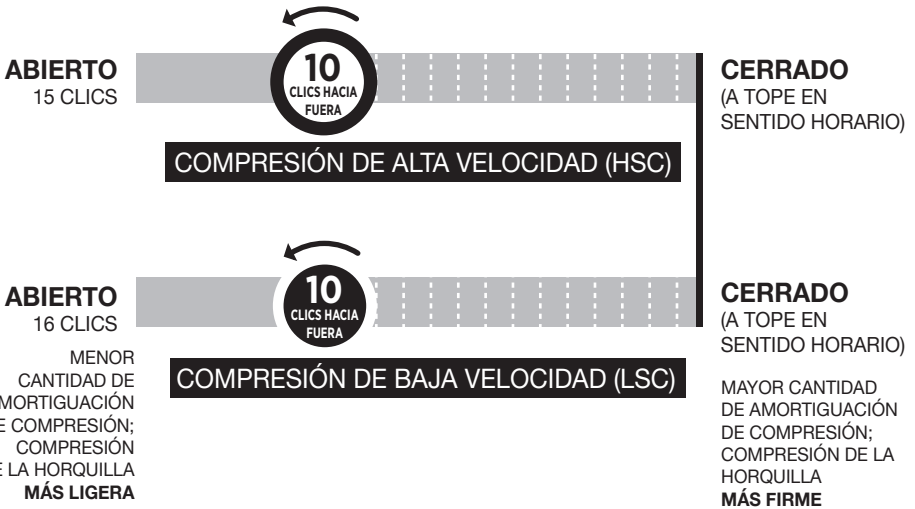
AJUSTE DE LA COMPRESIÓN DEL GRIP X

Utilice este diagrama como punto de partida para los ajustadores de compresión. **Gire a tope los ajustadores de compresión a la posición cerrada (totalmente en sentido horario). A continuación, gírelos (en sentido antihorario) el número de clics que se indica a continuación.**



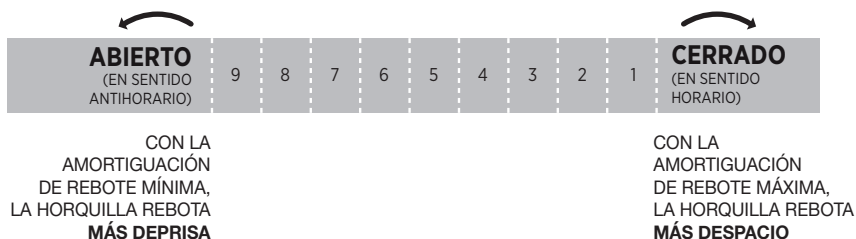
El ajuste de **compresión a alta velocidad** resulta útil para controlar el comportamiento de la horquilla ante impactos más pronunciados, al aterrizar, o al impactar con bordillos o baches con bordes en ángulo recto.

El ajuste de **compresión a baja velocidad** resulta útil para controlar el comportamiento de la horquilla ante desplazamientos del cuerpo del ciclista, al clavar los frenos o comprimir totalmente la suspensión ante desaceleraciones bruscas por cambios de inclinación del terreno (G-outs) y otras acciones lentas.



AJUSTE DEL REBOTE

El **rebote** controla la velocidad a la que se extiende la horquilla después de comprimirla. El ajuste de rebote depende del ajuste de presión de aire. Por ejemplo, unas presiones de aire más elevadas requieren un ajuste de rebote más lento. Utilice la presión de aire como referencia para determinar el valor de rebote que debe emplear. El regulador de rebote se encuentra debajo del brazo de la horquilla del lado del amortiguador.



REBOTE DEL GRIP X



Gire a tope en sentido horario el mando de rebote hasta la posición cerrada. A continuación, gírelo en sentido antihorario hasta el número de clics indicado en la tabla de la página 57.

OPCIONES DE AJUSTE ADICIONALES

ESPACIADORES DE VOLUMEN CON CLIP

La sustitución de espaciadores de volumen en la horquilla Super Z es un ajuste interno muy sencillo que permite cambiar la resistencia a media carrera y a tocar fondo.

Si a pesar de haber ajustado correctamente el hundimiento, se utiliza todo el recorrido con demasiada facilidad, puede instalar uno o varios espaciadores para aumentar la resistencia de alcance del fondo.

Si ha ajustado el hundimiento correctamente y no utiliza todo el recorrido, puede retirar el espaciador para reducir la resistencia de alcance del fondo.

El procedimiento de instalación y las opciones de ajuste están disponibles en línea en ridefox.com/ownersmanuals.

Configuración de espaciadores de volumen para la Super Z		
Recorrido	Espaciadores de volumen instalados de fábrica	* Número máximo de espaciadores de volumen
190 mm	0	4
180 mm	1	5
170 mm	2	6
160 mm	3	7
150 mm	4	8

MANTENIMIENTO

Una limpieza adecuada de su producto Marzocchi después de cada uso, junto con un mantenimiento a intervalos regulares, contribuirá a reducir los costes de reparación y a prolongar la vida útil del producto.

Para obtener más información sobre los procedimientos de mantenimiento, visite www.Marzocchi.com o póngase en contacto con Marzocchi de EE. UU. si necesita una revisión integral (1.800.369.7469).

Puntos de mantenimiento mínimos recomendados	Antes de cada uso	Después de cada uso	Periódicamente	Cada 125 horas de uso o una vez al año, lo que suceda antes*
Inspeccione todo el exterior de la horquilla. No debería utilizar la horquilla si presenta daños en alguna de las piezas exteriores. Le recomendamos que se ponga en contacto con su concesionario local o con Marzocchi para su reparación.	X			
Compruebe que las palancas de cierre rápido y los ejes estén bien ajustados y apretados.	X			
Compruebe el ajuste del juego de dirección. Si está flojo, ajústelo siguiendo las recomendaciones del fabricante de la bicicleta.	X			
Compruebe que los manguitos o cables del freno estén bien sujetos. Compruebe el correcto funcionamiento de los frenos delanteros y traseros sobre un terreno nivelado.	X			
Limpie el exterior únicamente con agua y un jabón suave; a continuación, seque con un paño suave. No utilice máquinas de lavado a alta presión ni rocíe agua directamente sobre la junta.		X		
Compruebe los ajustes de hundimiento y amortiguación. Inspeccione visualmente los controles para ver si presentan daños y si funcionan correctamente.			X	
Mantenimiento completo (revisión interior/ exterior integral, restauración del amortiguador, restauración del resorte neumático, sustitución del baño de aceite y los guardapolvos).				X

* Para los ciclistas que realizan descenso de pendientes extremo con ascenso por elevador (DH), Park (ciclismo acrobático en pistas urbanas de skateboard), o Freeride extremo, o que circulan bajo condiciones ambientales extremadamente húmedas o embarradas, o muy secas y polvorientas, en las que la gravilla del camino se proyecta contra la horquilla, Marzocchi recomienda encarecidamente realizar las operaciones de mantenimiento con una frecuencia mayor que la indicada. Si escucha, ve o nota algo inusual, deje de montar inmediatamente y contacte con un servicio técnico autorizado de Marzocchi para que revisen adecuadamente el producto.

Marzocchi ofrece la siguiente GARANTÍA LIMITADA en sus productos de suspensión:

GARANTÍA LIMITADA DE MARZOCCHI

GARANTÍA LIMITADA DE UN (1) AÑO PARA PRODUCTOS DE SUSPENSIÓN

Conforme a las limitaciones, términos y condiciones aquí descritos, Marzocchi garantiza al propietario original de un producto de suspensión Marzocchi nuevo que dicho producto no presenta defectos materiales ni de mano de obra. Esta garantía limitada caduca un (1) año después de la fecha original de compra del producto de suspensión Marzocchi a un concesionario autorizado por Marzocchi o a un integrador de equipos originales autorizado por Marzocchi, en caso de que la suspensión Marzocchi venga incluida de serie en el vehículo adquirido.

CONDICIONES DE LA GARANTÍA

Esta garantía limitada está condicionada a que el producto de suspensión Marzocchi se use en condiciones normales y reciba un mantenimiento adecuado conforme a las especificaciones indicadas por Marzocchi. La presente garantía limitada se aplica exclusivamente a las suspensiones Marzocchi adquiridas como producto nuevo a un proveedor autorizado por Marzocchi; solo cubre al propietario que adquirió originalmente el producto de suspensión Marzocchi nuevo y no se puede transferir a propietarios posteriores.

Si se determina, a criterio exclusivo y concluyente de Marzocchi, que un producto de suspensión Marzocchi está cubierto por esta garantía limitada, se procederá a su reparación o sustitución por un modelo equivalente, a elección exclusiva de Marzocchi, lo que será definitivo y vinculante. ESTE ES EL ÚNICO RESARCIMIENTO PREVISTO AL AMPARO DE ESTA GARANTÍA LIMITADA. QUEDAN EXCLUIDOS EXPRESAMENTE CUALESQUIERA OTROS RESARCIMIENTOS O COMPENSACIONES POR DAÑOS Y PERJUICIOS QUE PUDIERAN SER DE APLICACIÓN, LO QUE INCLUYE, ENTRE OTROS, LOS DAÑOS EMERGENTES O INDIRECTOS Y LOS DAÑOS PUNITIVOS.

Esta garantía limitada no cubre el desgaste y deterioro normales por el uso, ni los fallos o averías provocados por un uso indebido o negligente, un montaje incorrecto, la alteración o modificación, reparaciones u operaciones de mantenimiento inadecuadas o no autorizadas, accidentes, impactos o colisiones, o cualquier otra utilización anormal, excesiva o inapropiada.

Esta garantía limitada confiere derechos legales específicos al cliente. El cliente puede estar amparado también por otros derechos legales bajo la legislación aplicable de su país, a los cuales no afecta esta garantía limitada. Si un tribunal competente determina que alguna de las cláusulas de esta garantía limitada no es aplicable, ello no afectará al resto de cláusulas de la garantía, que permanecerán plenamente vigentes.

ESTA ES LA ÚNICA GARANTÍA QUE MARZOCCHI OFRECE PARA SUS PRODUCTOS Y COMPONENTES DE SUSPENSIÓN, SIN QUE EXISTA NINGUNA OTRA GARANTÍA MÁS ALLÁ QUE LA AQUÍ DESCRITA. QUEDA EXCLUIDA CUALQUIER OTRA GARANTÍA IMPLÍCITA QUE PUDIERA CONSIDERARSE POR LEY, INCLUIDAS, ENTRE OTRAS, LAS GARANTÍAS IMPLÍCITAS DE COMERCIABILIDAD O IDONEIDAD PARA UNA FINALIDAD CONCRETA.

Esta garantía limitada se registrará exclusivamente por la legislación del Estado de California.

Si tiene dudas sobre esta garantía o los productos Marzocchi, póngase en contacto con el departamento de atención al cliente en EE. UU. de Marzocchi llamando al 1-800-369-7469 o visitando www.Marzocchi.com.

Si presenta una reclamación conforme a esta garantía limitada, se le pedirá que lleve a un centro de servicio técnico autorizado de Marzocchi:

1. El producto (o la pieza afectada).
2. Una copia del recibo de compra original que indique claramente el nombre y la dirección del vendedor, la fecha y el lugar de compra, el número de referencia del producto y, si se utiliza, un número de serie. Si los productos Marzocchi se venden como parte de una bicicleta completa, debe incluirse la marca de la bicicleta, el modelo, el año del modelo y el número de serie.

Marzocchi es una marca propiedad de FOX Factory, Inc.

PARABÉNS!

Obrigado por escolher um produto de suspensão Marzocchi para a sua bicicleta. Os produtos de suspensão Marzocchi são projetados e testados pelos melhores profissionais da indústria, em Santa Cruz County, Califórnia, EUA.

Siga as diretrizes e instruções fornecidas neste guia do proprietário, de maneira que seja capaz de instalar, usar e manter adequadamente o seu novo produto Marzocchi.

Estão disponíveis mais informações e vídeos em www.Marzocchi.com, ou telefone à Marzocchi US pelo 1.800.369.7469, ou contacte um Centro Autorizado Internacional de Serviço da Marzocchi em www.Marzocchi.com. Se não tiver acesso à internet, contacte a Marzocchi para encomendar uma cópia impressa em papel do manual do proprietário da Marzocchi que está online, para o seu produto, gratuitamente.

AVISO E INFORMAÇÕES DE SEGURANÇA

Os produtos Marzocchi deverão ser instalados por um técnico profissional de manutenção de bicicletas, de acordo com as especificações de instalação da Marzocchi. Os garfos instalados incorretamente podem falhar, fazendo com que o ciclista perca o controle e resultando em FERIMENTOS GRAVES OU MORTE.

A modificação ou alteração de um produto Marzocchi pode provocar a avaria do produto, resultando em FERIMENTOS GRAVES OU MORTE. Nunca modifique nem altere NENHUMA peça dum produto Marzocchi (incluindo molas helicoidais, travessa do braço inferior, coroa, direção, tubos superiores, braço inferior, caixa do ar, espigão do selim, espaçadores do volume de ar, peças internas, calços de fenda para o eixo, adaptadores de eixo, nem nenhuma outras peças).

Os produtos de suspensões para bicicletas da Marzocchi também podem ser usados em bicicletas elétricas da Classe 1 (designação dos EUA) e L1e-A (designação da UE).

Os produtos de suspensões Marzocchi E-BIKE+ podem ser usados em bicicletas elétricas da Classe 3 (designação dos EUA) e L1e-B (designação da UE).

NÃO use nenhuns produtos de suspensões para bicicletas da Marzocchi em nenhuma bicicleta motorizada ou veículo motorizado assistidos por pedais, que excedam uma velocidade máxima assistida de 32 km/h (20 milhas/hora) ou um peso máximo do sistema de 140 Kg (308 libras).

NÃO use nenhuns produtos de suspensões Marzocchi E-BIKE+ em nenhuma bicicleta motorizada ou veículo motorizado assistidos por pedais, que excedam uma velocidade máxima assistida de 45 km/h (28 milhas/hora) ou um peso máximo do sistema de 169 Kg (372 libras). NÃO use nenhum produto para suspensões de bicicletas Marzocchi em qualquer veículo motorizado que tenha um acelerador.

O uso incorreto dos produtos de suspensão Marzocchi pode provocar a falha da suspensão, resultando em danos aos bens ou FERIMENTOS GRAVES OU MORTE, e anulam a garantia.

NÃO use produtos para suspensão de bicicletas Marzocchi em nenhuns veículos que transportem mais do que um operador ou ciclista, tais como bicicletas para 2 pessoas (tandem) ou bicicletas comerciais pesadas.

Não retire nem substitua o tubo da direção. Disso poderia resultar a perda de controle da bicicleta, e FERIMENTOS GRAVES OU MORTE.

Nunca tente retirar ou substituir a coluna da direção nem os tubos superiores independentemente da coroa. Modificar o conjunto integrado da coroa, coluna da direção ou tubos superiores pode causar a falha do conjunto, resultando numa perda de controle da bicicleta

e em FERIMENTOS GRAVES OU MORTE.

Não corte a coluna da direção mais do que três (3) mm abaixo da peça mais alta instalada. Se por erro a coluna da direção tiver sido demasiado cortada em comprimento, ele TERÁ QUE SER SUBSTITUÍDA! Usar um garfo com uma coluna da direção instalada com engate demasiado curto pode levar a uma falha súbita do garfo, o que pode causar perda de controle da bicicleta e resultar em FERIMENTOS GRAVES OU MORTE.

Se a coluna da direção tiver quaisquer cortes ou entalhes que possa sentir com a sua unha, o conjunto coroa/tubo da coluna da direção tem que ser substituído. Um corte ou entalhe pode fazer falhar o tubo da coluna da direção, resultando numa perda de controle da bicicleta e em FERIMENTOS GRAVES OU MORTE.

Nunca tente abrir fios de rosca nas colunas da direção sem rosca dos garfos da Marzocchi. Criar fios de rosca numa coluna da direção sem rosca pode fazer falhar a coluna da direção, resultando numa perda de controle da bicicleta e em FERIMENTOS GRAVES OU MORTE.

Nunca ponha mais de 30 mm de altura com espaçadores do espigão da coluna da direção instalados debaixo do espigão da coluna da direção, porque isso pode fazer falhar o tubo da coluna da direção, causando uma perda de controle e resultando em FERIMENTOS GRAVES OU MORTE.

Nunca permita que coisas tais como cabos ou bainhas de cabos entrem em contacto com o tubo da coluna da direção de um garfo. Se a sua bicicleta tiver encaminamento interno de cabos e de bainhas de cabos, trate de consultar o guia do proprietário do fabricante da sua bicicleta para obter instruções de segurança. Cabos e/ou bainhas de cabos que entrem em contacto com o tubo da direção podem causar a falha do tubo da direção, resultando numa perda de controle da bicicleta e em FERIMENTOS GRAVES OU MORTE.

As bainhas de cabos em contacto com a coroa do garfo causarão danos de abrasão à coroa ao longo do tempo. Se for impossível evitar o contacto, use fita de vinil ou uma proteção semelhante para recobrir o ponto de contacto. A garantia da Marzocchi não cobre estragos por abrasão à coroa do garfo Marzocchi.

A manutenção incorreta, ou o uso de peças sobressalentes não originais Marzocchi com os garfos Marzocchi pode provocar a avaria do produto, resultando em FERIMENTOS GRAVES OU MORTE.

Como a sujidade e os detritos se podem acumular entre as aberturas do eixo do garfo, inspecione e limpe sempre essas áreas antes de instalar a roda. A instalação incorreta do cubo e do eixo pode resultar em FERIMENTOS GRAVES OU MORTE.

Nunca use uma lavadora com pressão para lavar o seu produto Marzocchi.

Se o seu garfo perde óleo, bate no topo ou no fundo (fins de curso) excessivamente, ou faz ruídos anormais, não guie com esse garfo, e imediatamente contacte a Marzocchi ou um Centro de Serviço Autorizado da Marzocchi para ter um serviço de inspeção ou reparação.

Siga as instruções de instalação do fabricante do seu travão para uma instalação e afinação corretas do sistema de travões. Se não instalar e ajustar adequadamente os seus travões, pode provocar a perda de controlo da bicicleta, que pode resultar em FERIMENTOS GRAVES OU MORTE.

O seu garfo pode falhar em situações que causem que dobre e/ou parta qualquer peça do garfo. Qualquer problema que cause perda de ar e/ou óleo, tal como colisão ou períodos prolongados sem usar, podem causar a avaria do seu garfo. Um garfo danificado e/

ou com uma fuga pode falhar, resultando em acidente e FERIMENTOS GRAVES OU MORTE. Se suspeitar que o seu amortecedor tenha sido danificado, deixe de guiar imediatamente a bicicleta e contacte a Marzocchi para uma inspeção ou reparação.

Uma armação de transporte da bicicleta onde ela seja montada pelo garfo, pode causar danos aos braços do garfo e/ou encaixes, especialmente em casos em que o garfo é esforçado lateralmente, e/ou quando a roda traseira não está fixada no dispositivo de transporte. Braços do garfo e/ou encaixes danificados podem falhar, resultando em acidente e FERIMENTOS GRAVES OU MORTE. Se suspeitar que o seu garfo tenha sido danificado, contacte a Marzocchi para uma inspeção e reparação.

INSTALAÇÃO DO GARFO

1. Retire o garfo existente que está na bicicleta. Retire a guia da coroa do garfo velho. Meça o comprimento do tubo da coluna da direção do garfo velho e transfira esta medida para o seu tubo da coluna da direção do garfo Marzocchi novo.

Se não tiver um garfo existente para medir, meça a altura total do conjunto da caixa da direção (peças da coluna da direção e tubo da cabeça do quadro) e consulte as instruções do fabricante do seu espigão para se assegurar que vai existir suficiente superfície para o aperto do espigão.

2. Corte o tubo da direção com o comprimento adequado. Marque o tubo da direção e corte-o com o comprimento adequado.

AVISO

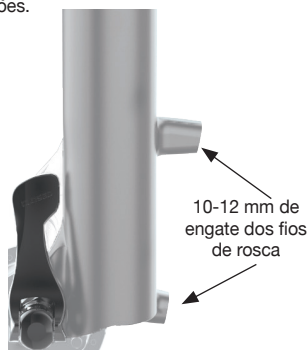
Antes de cortar, consulte as instruções do fabricante da sua caixa da direção e do espigão para assegurar que tenha suficiente comprimento de tubo da direção para fixar a direção e o espigão. Uma instalação incorreta pode levar a que se separe o espigão da direção, resultando em perda de controlo da bicicleta e FERIMENTOS GRAVES OU MORTE.

3. Instale a caixa da direção. Use sempre uma caixa da direção nova sem rosca e siga as instruções do fabricante da caixa da direção.
4. Instale uma guia de coroa de 39,8 mm para tubos de direção de 1 1/2 polegadas (3,98 cm). Use uma ferramenta de ajuste da guia da coroa para instalar a guia da coroa firmemente contra o topo da coroa.
5. Use uma ferramenta para instalação da porca com dentes em estrela para instalar a porca com dentes em estrela 4 a 10 mm abaixo do topo do tubo da direção.
6. Instale o garfo na bicicleta. Instale as peças que recebem a caixa da direção e o espigão de acordo com as instruções do fabricante da caixa da direção, e ajuste o pré-tensionamento da caixa da direção de acordo com isso até que não sinta folga (movimento lateral) excessiva nem resistência do rolamento. Aperte os pernos de fixação do espigão conforme as especificações de momento de torção recomendadas pelo fabricante do espigão.
7. Instale os travões de acordo com as instruções do fabricante dos travões. O tamanho máximo do rotor para o Super Z é de 230 mm.

AVISO

Os pernos de montagem da maxila do travão de disco têm que ter 10 a 12 mm de rosca engatada no garfo. Use uma chave de momento de torção para apertar os pernos de montagem da maxila à especificação do fabricante do travão de disco, mas não exceda 10,2 N·m (90 pol.-lb). Uma instalação incorreta pode levar à falha do travão, resultando em perda de controlo da bicicleta e FERIMENTOS GRAVES OU MORTE.

8. Encaminhe a tubagem flexível ou a bainha do cabo do travão de disco da frente pelo interior do braço inferior, e através da guia fornecida para o resguardo do travão de disco. Use uma chave de momento de torção para apertar o parafuso da guia do tubo flexível do travão de disco a 0,9 N·m (8 pol.-lb).

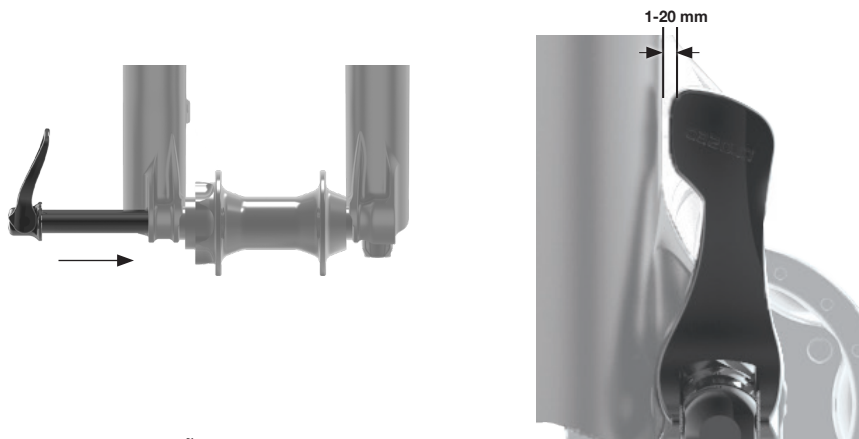


INSTALAÇÃO DO DESPRENDIMENTO RÁPIDO DE 15 MM

1. Instale a roda da frente nos encaixes do garfo. Enfie o eixo através do encaixe do lado com cremalheiras e do cubo.
2. Abra a alavanca do eixo.
3. Rode o eixo no sentido dos ponteiros do relógio 5-6 voltas completas.
4. Feche a alavanca. A alavanca **tem que** ter suficiente tensão para deixar uma marca na sua mão.
5. A da alavanca fechada tem que estar entre 1 e 20 mm em frente do braço do garfo. Se a alavanca não tiver tensão suficiente, ou se tiver demasiada tensão quando estiver fechada na posição recomendada (1-20 mm em frente do braço do garfo), consulte a próxima secção para obter instruções de ajuste.

⚠ AVISO

Use apenas a pressão da mão. Não use nenhuma ferramenta para apertar o desprendimento rápido. Apertar demasiado as alavancas pode danificar o eixo ou os encaixes do garfo, levando a uma súbita falha de um ou mais destes componentes, e resultando em FERIMENTOS GRAVES OU MORTE. Por outro lado, não fixar o eixo corretamente, incluindo uma tensão insuficiente depois de fechado, poderá fazer com que a roda se desprenda da bicicleta, resultando em FERIMENTOS GRAVES OU MORTE.

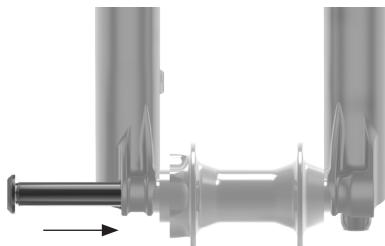


AJUSTE DA POSIÇÃO DA ALAVANCA

1. Note em que sentido a alavanca do eixo precisa de rodar para fechar com tensão suficiente na orientação correta (1-20 mm em frente do braço do garfo).
2. Abra a alavanca do eixo e desenrosque o eixo para fora do garfo.
3. Use uma chave sextavada de 4 mm na extremidade do eixo para ajustar a posição da alavanca no sentido indicado no Passo 1. Com a ferramenta ajustadora de 4 mm colocada de maneira apropriada, deverá começar a sentir tensão no eixo quando a alavanca do Desprendimento Rápido estiver 90 graus antes de fechar completamente na posição vertical.
4. Repita as instruções de instalação do eixo para verificar a correta instalação e ajuste.

INSTALAÇÃO DO KABOLT

1. Instale a roda da frente nos encaixes do garfo. Enfie o eixo Kabolt através do encaixe do lado com cremalheiras e do cubo.
2. Use uma chave sextavada de 6 mm para aplicar torção ao eixo Kabolt no sentido dos ponteiros do relógio, até atingir o momento de torção gravado com laser na cabeça do Kabolt.



TESTE DE ESPAÇO LIVRE PARA O PNEU

1. Liberte toda a pressão de ar do garfo, carregando na válvula Schrader.

⚠ AVISO

Os garfos Marzocchi poderão conter altas pressões de ar. Liberte TODA a pressão de ar da câmara principal de ar antes da desmontagem. Se não fizer isto, poderão ser ejetadas do garfo peças ou fluidos, o que poderá causar FERIMENTOS GRAVES OU MORTE.

2. Comprima completamente o garfo.
3. Meça a distância desde os bordos do pneu cheio de ar até à coroa, suporte do garfo e direção. Tem que haver PELO MENOS 8,5 mm de espaço livre/ folga a toda a volta do pneu.

⚠ AVISO

Se não deixar pelo menos 8,5 mm de espaço livre entre os bordos do pneu bem cheio de ar e a coroa, suporte do garfo e direção, poderá resultar que o pneu venha a ficar entalado contra a coroa quando o garfo for totalmente comprimido, do que poderão resultar FERIMENTOS GRAVES OU MORTE.

4. Acrescente pressão de ar até ao valor que deseja, usando uma bomba de alta pressão. Ajuste a retração de acordo com as instruções online em www.Marzocchi.com.
5. Terá que repetir este teste CADA VEZ que substituir pneus ou aros.

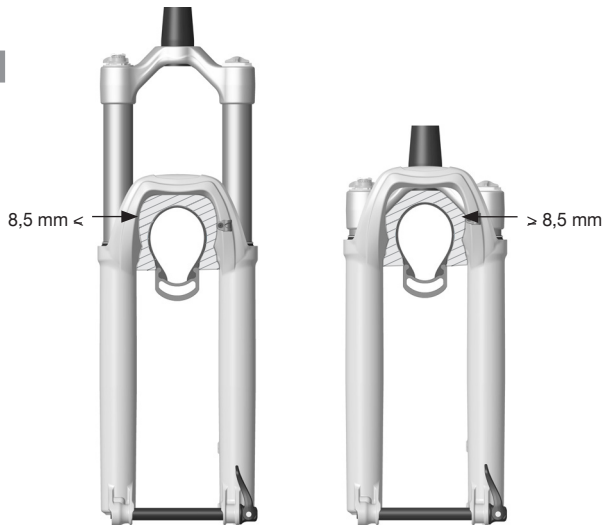
⚠ AVISO

Não exceda a pressão máxima do ar:

A pressão máxima do ar para o Super Z é de 8,27 bar (827 kPa) (120psi).

A mínima pressão de ar é: 2,76 bar (276 kPa) (40 psi).

Pressão medida à temperatura ambiente de 21 a 24°C (70-75°F). A gama de temperaturas normais de funcionamento para produtos Marzocchi é de -7 a 60°C (20-140°F).



ESPAÇADORES DE VOLUME DA MOLA PNEUMÁTICA

Substituir os espaçadores de volume nos garfos Marzocchi Super Z é um ajuste interno fácil que lhe permite mudar a quantidade de resistência de médio curso e de fim de curso no fundo. Se regulou a sua retração corretamente e está a ter o curso completo (bater no fundo) com demasiada facilidade, então poderá instalar um ou mais espaçadores para aumentar a resistência ao bater no fundo. Se não está a ter o curso completo, então poderá retirar um ou mais espaçadores para diminuir a resistência ao bater no fundo.

1. Retire a tampa do ar.
2. Liberte toda a pressão de ar do garfo, carregando na válvula Schrader.

AVISO

Os garfos Marzocchi poderão conter altas pressões de ar. Liberte TODA a pressão de ar da câmara principal de ar antes da desmontagem. Se não fizer isto, poderão ser ejetadas do garfo peças ou fluidos, o que poderá causar FERIMENTOS GRAVES OU MORTE.

3. Cuidadosamente desenrosque a tampa superior do garfo com uma chave de caixa de 32 mm com 6 pontos e sem chanfro.
4. Puxe para cima para retirar o conjunto da tampa superior da coroa do garfo.
5. Faça deslizar horizontalmente o espaçador ou espaçadores de volume de ar para instalá-los ou removê-los da tampa superior.

AVISO

Não exceda o número máximo de espaçadores de volume para o seu garfo. Isso poderia danificar o seu garfo. Consulte as informações sobre espaçadores de volume online em www.Marzocchi.com.

6. Volte a instalar o conjunto da tampa superior na coroa do garfo e aperte a 24,8 N·m (220 pol.-libras) com uma chave de caixa de 32 mm com 6 pontos e sem chanfro.
7. Acrescente pressão de ar até ao valor que deseja, usando uma bomba de alta pressão. Ajuste a retração de acordo com as instruções online em www.Marzocchi.com.

REGULAÇÃO DA RETRAÇÃO (SAG)

Para obter o melhor desempenho da sua suspensão FOX, regule a pressão do ar para conseguir a sua retração adequada. A retração é quanto a sua suspensão se comprime sob o seu peso e o do seu material. A retração deverá ser regulada para 15 a 20% do total do curso do garfo.

Assegure-se de que regula a retração com a alavanca da compressão no modo ABERTO (OPEN).

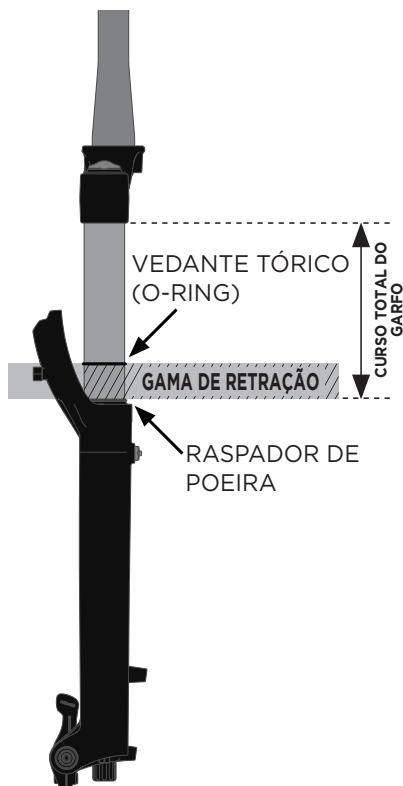
Observe o vídeo da regulação da retração em ridefox.com/sagsetup

Medidas de retração sugeridas		
Curso	15% de retração (Firme)	20% de retração (Macia)
150 mm (5,9 pol.)	22 mm (0,9 pol.)	30 mm (1,2 pol.)
160 mm (6,3 pol.)	24 mm (1,0 pol.)	32 mm (1,3 pol.)
170 mm (6,7 pol.)	26 mm (1,0 pol.)	34 mm (1,3 pol.)
180 mm (7 pol.)	27 mm (1,0 pol.)	36 mm (1,4 pol.)
190 mm (7,7 pol.)	28,5 mm (1,1 pol.)	38 mm (1,6 pol.)



Não exceda a pressão máxima do ar:

A pressão máxima do ar para o **Super Z** é de **8,27 bar (827 kPa) (120psi)**.



Pontos iniciais sugeridos para regular a retração			
Peso do ciclista (libras)	Peso do ciclista (kg)	Pressão do Super Z	Regulação da Recuperação do Super Z
120-130	54-59	3,7 bar (370 kPa) (54 psi)	13
130-140	59-64	4,0 bar (400 kPa) (58 psi)	12
140-150	64-68	4,3 bar (430 kPa) (62 psi)	11
150-160	68-73	4,6 bar (460 kPa) (67 psi)	10
160-170	73-77	4,9 bar (490 kPa) (71 psi)	9
170-180	77-82	5,2 bar (520 kPa) (75 psi)	8
180-190	82-86	5,4 bar (540 kPa) (79 psi)	7
190-200	86-91	5,7 bar (570 kPa) (83 psi)	6
200-210	91-95	6,0 bar (600 kPa) (87 psi)	5
210-220	95-100	6,3 bar (630 kPa) (92 psi)	4
220-230	100-104	6,6 bar (662 kPa) (96 psi)	3
230-240	104-109	6,9 bar (690 kPa) (100 psi)	2
240-250	109-113	7,2 bar (720 kPa) (104 psi)	1

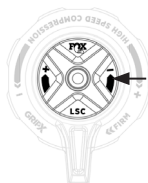
AJUSTAR A COMPRESSÃO

AJUSTAR A COMPRESSÃO DO GRIP X

Use este diagrama como ponto de partida para os seus ajustadores da compressão. **Rode os seus ajustadores/reguladores da compressão para a posição de fechado (rode completamente no sentido dos ponteiros do relógio) até eles pararem. Então faça-os retroceder (rode-os no sentido contrário ao dos ponteiros do relógio) para o número de estalidos (cliques) indicados abaixo.**



A **regulação da compressão de alta velocidade** é útil para controlar o desempenho do garfo quando submetido a impactos maiores, aterragens depois de saltos e ressaltos muito abruptos.



A **regulação da compressão de baixa velocidade** é útil para controlar o desempenho do garfo quando submetido a movimentos do peso do ciclista, acelerações e a outros esforços lentos.

ABERTO
15 CLIQUES



COMPRESSÃO DE ALTA VELOCIDADE (HSC)

FECHADO
(COMPLETAMENTE NO SENTIDO DOS PONTEIROS DO RELÓGIO)

ABERTO
16 CLIQUES



COMPRESSÃO DE BAIXA VELOCIDADE (LSC)

FECHADO
(COMPLETAMENTE NO SENTIDO DOS PONTEIROS DO RELÓGIO)

O MENOR VALOR DE AMORTECIMENTO DA COMPRESSÃO; A COMPRESSÃO DO AMORTECEDOR É A MAIS LEVE

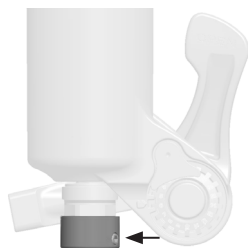
O MAIOR VALOR DE AMORTECIMENTO DA COMPRESSÃO; A COMPRESSÃO DO AMORTECEDOR É A MAIS FIRME

AJUSTAR A RECUPERAÇÃO

A **recuperação** controla a velocidade com que o garfo se alonga depois de se ter comprimido. A regulação da recuperação está dependente da configuração da pressão do ar. Por exemplo, pressões de ar mais altas exigem configurações mais lentas de recuperação. Use a sua pressão do ar para determinar a sua configuração de recuperação. O ajustador da recuperação está localizado por baixo do braço do garfo do lado do amortecedor.

ABERTO (NO SENTIDO CONTRÁRIO AO DOS PONTEIROS DO RELÓGIO)	9	8	7	6	5	4	3	2	1	FECHADO (NO SENTIDO DOS PONTEIROS DO RELÓGIO)
MENOR VALOR DE AMORTECIMENTO DA RECUPERAÇÃO, O AMORTECEDOR RECUPERA COM MAIOR RAPIDEZ										MAIOR VALOR DE AMORTECIMENTO DA RECUPERAÇÃO, O AMORTECEDOR RECUPERA COM MAIOR LENTIDÃO

RECUPERAÇÃO DO GRIP X



Rode o seu botão de recuperação para a posição de fechado, no sentido dos ponteiros do relógio, até ele parar. Então rode-o no sentido contrário ao dos ponteiros do relógio para o número de estalidos (cliques) indicados na tabela da Página 9.

OPÇÕES DE REGULAÇÃO ADICIONAIS

ESPAÇADORES DE VOLUME DE PRENDER (CLIP-ON)

Substituir os espaçadores de volume nos garfos Super Z é um ajuste interno fácil que lhe permite mudar a quantidade de resistência de médio curso e de fim de curso no fundo.

Se regulou a sua retração corretamente e está a ter o curso completo (bater no fundo) com demasiada facilidade, então poderá instalar um ou mais espaçadores para aumentar a resistência ao bater no fundo.

Se regulou a sua retração corretamente e está a usar o curso completo, então poderá retirar o espaçador para diminuir a resistência ao bater no fundo.

O procedimento de instalação e as opções de afinação estão disponíveis online em: ridefox.com/ownersmanuals

Configurações de espaçadores de volume Super Z		
Curso	Espaçadores de volume instalados de fábrica	*Máx. de espaçadores de volume
190 mm	0	4
180 mm	1	5
170 mm	2	6
160 mm	3	7
150 mm	4	8

SERVIÇO DE MANUTENÇÃO

A limpeza correta do seu produto Marzocchi entre passeios de bicicleta, além do serviço de manutenção agendado a intervalos regulares, irá ajudar a reduzir os custos de reparação e prolongar a vida do produto. Para obter mais informações de procedimentos de manutenção, visite www.Marzocchi.com, ou contacte a Marzocchi US para ter serviço de manutenção completo (1.800.369.7469).

Itens mínimos recomendados para serviço de manutenção	Sempre antes de ir pedalar na bicicleta	Sempre depois de ter ido pedalar na bicicleta	Regularmente	Cada 125 horas ou anualmente, o que ocorrer primeiro*
Inspeção todo o exterior do seu garfo. O garfo não deverá ser usado se qualquer das peças exteriores parecer estar danificada. Contacte o seu concessionário local ou a Marzocchi para reparações.	X			
Verifique que as alavancas de desprendimento rápido estejam adequadamente ajustadas e apertadas.	X			
Verifique o ajuste da sua caixa da direção. Se estiver solta, ajuste-a de acordo com as recomendações do seu fabricante de bicicletas.	X			
Verifique que todos os cabos e tubos flexíveis de travões estejam corretamente fixados. Faça um teste do funcionamento correto dos seus travões dianteiro e traseiro em terreno nivelado.	X			
Lave o exterior apenas com sabão suave e água, e depois limpe com uma toalha macia para secar. Não use um dispositivo de lavagem a alta pressão nem borrife água diretamente no vedante.		X		
Verifique as configurações da retração e do amortecimento. Inspeção os controlos para detetar danos visíveis, e também o seu funcionamento.			X	
Manutenção completa (inspeção completa interna/externa, reconstrução do amortecedor, reconstrução da mola pneumática, substituição do óleo de banho e do retentor/ raspador).				X

*Para os que conduzem lift-accessed DH, Park ou Extreme Freeride ou em condições ambientais extremas de molhado/lamacento ou de seco/poeirento, em que sejam atirados detritos do trilho contra o amortecedor no trilho, a Marzocchi aconselha os ciclistas a efetuar manutenção mais cedo do que se recomenda acima, conforme seja necessário. Se ouvir, vir ou sentir alguma coisa fora do normal, pare imediatamente a bicicleta e contacte um Centro Autorizado de Serviço da Marzocchi para obter manutenção apropriada.

A Marzocchi dá a seguinte GARANTIA LIMITADA relativa aos seus produtos de suspensão:

GARANTIA LIMITADA MARZOCCHI

GARANTIA LIMITADA DE UM (1) ANO EM PRODUTOS DE SUSPENSÃO

Sujeito às limitações, termos e condições aqui indicadas, a Marzocchi garante, ao proprietário original a retalho (o consumidor) de cada produto de suspensão novo Marzocchi, que o produto de suspensão Marzocchi, quando novo, está livre de defeitos em materiais e de mão de obra. Esta garantia limitada expira um (1) ano após a data da compra original a retalho do produto de suspensão Marzocchi de um concessionário autorizado Marzocchi ou de um Fabricante de Equipamento Original autorizado pela Marzocchi, em que a suspensão Marzocchi tenha sido incluída como equipamento original num veículo comprado.

TERMOS DA GARANTIA

Esta garantia limitada é condicional a que o produto de suspensão Marzocchi seja operado sob condições normais e mantido corretamente conforme especificado pela Marzocchi. Esta garantia limitada só é aplicável a uma suspensão Marzocchi comprada nova a uma fonte autorizada Marzocchi e é dada apenas ao proprietário original a retalho (o consumidor) do produto de suspensão Marzocchi novo e não é transferível a proprietários subsequentes.

Se for determinado pela Marzocchi, à sua única e final discrição, que o produto de suspensão Marzocchi está coberto por esta garantia limitada, o mesmo será reparado ou substituído, por um modelo comparável, à opção exclusiva da Marzocchi, que será conclusiva e vinculante. ESTE É O RECURSO EXCLUSIVO AO ABRIGO DESTA GARANTIA LIMITADA. TODOS E QUAISQUER OUTROS RECURSOS E COMPENSAÇÃO POR DANOS QUE POSSAM DE OUTRO MODO SER APLICÁVEIS AO ABRIGO DESTA GARANTIA LIMITADA ESTÃO EXCLUÍDOS, INCLUINDO, MAS SEM SE LIMITAR A, COMPENSAÇÃO POR DANOS ACIDENTAIS OU CONSEQUENCIAIS OU COMPENSAÇÃO PUNITIVA.

Esta garantia limitada não se aplica a desgaste e deterioração normais, avarias ou falhas que resultem de abuso, negligência, montagem incorreta, alterações ou modificações, reparações ou manutenção incorretas ou não autorizadas, choques, acidentes ou colisão, ou outro uso anormal, excessivo ou indevido.

Esta garantia limitada dá ao consumidor direitos legais específicos. O consumidor poderá também ter outros direitos legais ao abrigo das leis nacionais aplicáveis, que não são afetados por esta garantia limitada. Se for determinado por um tribunal com jurisdição competente que uma certa provisão desta garantia limitada não se aplica, tal determinação não deverá afetar quaisquer outras disposições desta garantia limitada, e todas as outras disposições deverão permanecer em efeito.

ESTA É A ÚNICA GARANTIA DADA PELA MARZOCCHI PARA OS SEUS PRODUTOS E COMPONENTES DE SUSPENSÕES, E NÃO HÁ GARANTIAS QUE SE ESTENDAM PARA ALÉM DA DESCRIÇÃO AQUI FEITA. QUAISQUER GARANTIAS QUE POSSAM DE OUTRO MODO SER IMPLÍCITAS POR LEI INCLUINDO, MAS SEM SE LIMITAR A, QUALQUER GARANTIA IMPLÍCITA DE COMERCIALIDADE OU ADEQUAÇÃO PARA UM PROPÓSITO EM PARTICULAR ESTÃO EXCLUÍDAS.

Esta garantia limitada será regida exclusivamente pelas leis do Estado da Califórnia.

Para perguntas relativas a esta garantia ou aos produtos Marzocchi, por favor contacte o Departamento de Atendimento ao Cliente nos EUA da Marzocchi, telefonando para 1-800-369-7469, ou visitando www.Marzocchi.com.

Quando fizer uma reclamação ao abrigo desta Garantia Limitada, ser-lhe-á solicitado que forneça a um Centro de Serviço de Assistência autorizado da Marzocchi:

1. O Produto (ou a peça afetada) e
2. Uma cópia da prova original de compra, que indique claramente o nome e endereço do vendedor, a data e local da compra, o número de peça do produto e, se for utilizado, um número de série. Se os produtos Marzocchi forem vendidos como parte de uma bicicleta completa, a marca, modelo e ano do modelo da bicicleta e o seu número de série deverão ser incluídos.

Marzocchi é uma marca que é propriedade da FOX Factory, Inc.

恭喜您!

感谢您为自己的自行车选择 Marzocchi 避震产品。Marzocchi 避震产品由美国加州圣克鲁兹县业界最好的专家设计并测试。

请按照本用户手册中提供的指引和说明正确地设置、使用和保养您的新 Marzocchi 产品。

欲知更多信息和视频,请访问网站 www.Marzocchi.com, 致电 1.800.369.7469 联系 Marzocchi 美国公司, 或在 www.Marzocchi.com 上联系 Marzocchi 国际授权维修中心。如果您无法访问互联网, 则请联系 Marzocchi, 为您的产品索取在线 Marzocchi 用户手册的免费纸质版。

警告和安全信息

Marzocchi 产品应由专业自行车维修技师遵照 Marzocchi 安装规范安装。前叉若安装不当, 可能出现故障, 导致骑行者失控并受到严重甚至致命的伤害。

改动或改装 Marzocchi 产品可能使其出现故障, 并导致人员严重伤害甚至死亡。请勿改动或改装 Marzocchi 产品的任何零部件(包括卷簧、下管叉桥、叉肩、舵管、上管、下管、空气罐、座杆、气室垫片、内部构件、轴缝垫片、轴适配器或任何其他零部件)。

Marzocchi 自行车避震器产品还可用在 1 级(美国命名)和 L1e-A(欧盟命名)电动自行车上。

Marzocchi E-BIKE+ 避震器产品可用在 3 级(美国命名)和 L1e-B(欧盟命名)电动自行车上。

请勿将任何 Marzocchi 自行车避震器产品在最大助力速度超过 32 km/h (20 mph) 或最大系统重量超过 140 Kg (308 lb) 的任何踏板助力机动自行车或机动车上。

请勿将任何 Marzocchi E-BIKE+ 避震器产品在最大助力速度超过 45 km/h (28 mph) 或最大系统重量超过 169 Kg (372 lb) 的任何踏板助力机动自行车或机动车上。请勿将任何 Marzocchi 自行车避震器产品用在任何配有风门的机动车上。

误用 Marzocchi 避震器产品可导致避震器出现故障, 造成财产损失或人员严重受伤甚至死亡, 且无法享受质保。

请勿将 Marzocchi 自行车避震产品用于任何可搭载两名以上操作者或骑行者的车辆上, 如双人自行车或载重型自行车等。

请勿拆除或更换舵管。此举可能导致自行车失控, 造成人员严重受伤甚至死亡。

请勿尝试单独从叉肩上拆卸或更换舵管或上管。改动一体式叉肩、舵管和上管可能导致组件故障和自行车失控, 并造成人员严重受伤甚至死亡。

舵管的截短处请勿低于车架最上端安装部件

的下方 3 (3) mm。如果舵管长度截得太短, 则必须更换舵管! 使用夹紧舵管咬合太短的前叉, 可能导致前叉突然出现故障, 进而导致自行车失控, 并造成人员严重受伤甚至死亡。

如果舵管有任何手指甲可以感觉到的裂纹或凹槽, 则该叉肩 / 舵管组件必须予以更换。裂纹或凹槽可能导致舵管出现故障, 导致自行车失控并造成人员严重受伤甚至死亡。

请勿尝试将 Marzocchi 前叉舵管的螺纹截短到无螺纹段。将螺纹截短到无螺纹段可能导致舵管出现故障, 导致自行车失控并造成人员严重受伤甚至死亡。

把立下方的垫片请勿超过 30 mm, 因为此等条件下可能导致舵管出现故障, 导致自行车失控并造成人员严重受伤甚至死亡。

请勿让线缆或线管等物件接触前叉舵管。如果您自行车的线缆和线管属于内部走线, 请参阅您自行车厂商用户指南上的安全说明。如果线缆和 / 或线管接触舵管, 则可能导致舵管出现故障, 导致自行车失控并造成人员严重受伤甚至死亡。

如果线管长期接触前叉叉肩, 则会导致叉肩磨损。如果接触无可避免, 应使用聚氯乙烯绝缘带或类似防护物将接触处包裹起来。Marzocchi 前叉叉肩的磨损不在 Marzocchi 质保范围内。

不当维修或在 Marzocchi 前叉上安装非 Marzocchi 更换件可能会导致产品出现故障, 造成人员严重伤害甚至死亡。

由于前叉轴开口之间会积灰尘和污垢, 请在安装车轮前始终检查并清洁这些区域。轮毂和车轴安装不当可能导致人员严重受伤甚至死亡。

切勿使用大功率清洗器清洁 Marzocchi 产品。

如果您的前叉漏油，顶部过高或底部过低，或发出异常噪声，则请立即停止骑行，并联系 Marzocchi 或 Marzocchi 授权维修中心进行检查或维修。

请按照刹车厂商的说明正确安装和调节刹车系统。如果未能正确安装和调节刹车，则可能导致自行车失控，并造成人员严重受伤甚至死亡。

若出现致使前叉任何部分产生折弯和 / 或断裂的情况，您的前叉可能出现故障。任何致使漏气和 / 或漏油的情况，如撞车事故或长

期未用等，也都可能导致您的前叉出现故障。前叉一旦被损坏和 / 或出现泄漏，则可能出现故障，导致撞击事故和人员严重伤害甚至死亡。如果您怀疑您的前叉已被损坏，则请立即停止骑行并联系 Marzocchi 进行检查和维修。

安装在前叉上的托架可能损坏前叉腿和 / 或勾爪，尤其是当前叉处于偏载和 / 或后轮没有稳固在托架中的时候。损坏的前叉腿和 / 或勾爪可能出现故障，导致撞车事故和人员严重受伤甚至死亡。如果您怀疑您的前叉已受损坏，则请联系 Marzocchi 进行检查和维修。

前叉安装

1. 从自行车上拆下现有的前叉。从旧前叉上卸下叉肩座圈。测量旧前叉的舵管长度，并将此测量值标记在新的 Marzocchi 前叉舵管上。如果您没有旧前叉作参考，则测量碗组堆叠高度（碗组零件和车架头管），并参阅把立厂商的说明，确保为把立留出足够的夹紧表面。
2. 将舵管截短至适合的长度。标记该舵管，并将其截短至适当长度。

警告

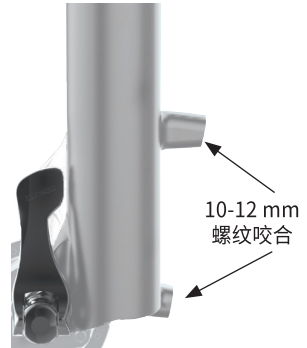
在进行任何截短前，请参阅碗组和把立厂商的说明，以确保有足够的舵管长度用于锁紧舵管和把立。安装不当可能导致把立从舵管上脱离，造成自行车失控和人员严重受伤甚至死亡。

3. 安装碗组。请始终使用新的无螺纹碗组并遵照碗组厂商的说明。
4. 对于 1 1/2" 舵管，安装 39.8 mm 叉肩座圈。使用叉肩座圈安装器将叉肩座圈牢固地安装在叉肩顶部。
5. 使用星状螺母安装工具将星状螺母安装在舵管顶部下方 4-10 mm 处。
6. 将前叉安装到自行车上。请按照碗组厂商的说明安装碗组轴承零件和把立，并相应调节碗组预载，直到您感觉没有过度的松动或轴承拉力。将把立夹紧螺栓锁紧至把立厂商的指定扭矩值。
7. 请按照刹车厂商的说明安装刹车。Super Z 的最大刹车碟片尺寸是 230 mm。

警告

盘式刹车钳安装螺栓与前叉的螺纹咬合长度必须有 10-12 mm。使用扭矩扳手将刹车钳安装螺栓拧紧至盘式刹车厂商规定的扭矩值，但不能超过 10.2 N·m (90 in·lb)。安装不当可能导致刹车出现故障，造成自行车失控和人员严重受伤甚至死亡。

8. 将前轮盘式刹车油管或线管布线至下管内部，并穿过所提供的盘式刹车线管导套。用扭矩扳手将盘式刹车油管导套螺钉拧紧至 0.9 N·m (8 in·lb)。



15 MM 快脱机构安装

1. 将前轮安装到前叉勾爪中。将车轴滑入传动侧勾爪和轮毂。
2. 打开快脱杆。
3. 将车轴顺时针旋转 5-6 整圈。
4. 合拢杆。杆**必须**在手掌上留下印迹，此时说明其已充分拧紧。
5. 合拢后的杆位置必须位于前叉腿前 1-20 mm 之间。如果在推荐位置（前叉腿前 1-20 mm）合拢，但杆拧紧过度或未充分拧紧，则参阅下一节的调节说明。

⚠ 警告

请仅使用手拧紧。请勿使用任何工具来紧固快脱杆。杆拧得过紧可能导致车轴或前叉勾爪损坏，引发一个或多个此等部件突然出现故障，并造成人员严重受伤甚至死亡。若未能适当地固定车轴（包括：合拢后没有足够的张力），则可能导致车轮脱离自行车，造成人员严重伤害甚至死亡。

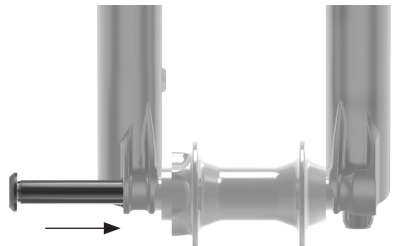


杆位置调节

1. 请留意轴的快脱杆需要往哪个方向转动才能在适当的朝向（前叉腿前 1-20 mm）合拢后充分拧紧。
2. 打开轴的快脱杆，将轴从前叉上拧松。
3. 用 4 mm 六角扳手放在轴的端部将杆位置朝着第 1 步所述的方向调节。4 mm 调节螺母已设置妥当后，快脱杆在完全合拢至垂直位置之前 90 度时您就应该能开始感觉到轴的张力。
4. 对照车轴安装说明进行检查，以核实是否安装和调节得当。

KABOLT 安装

1. 将前轮安装到前叉勾爪中。将 Kabolt 车轴滑入传动侧勾爪和轮毂。
2. 用 6 mm 六角扳手把 Kabolt 车轴顺时针拧紧至 Kabolt 头刻有的扭矩值。



轮胎间隙测试

1. 按压美式嘴阀，从而彻底释放前叉中的空气压力。

⚠ 警告

Marzocchi 前叉可能有很高的气压。拆解前请彻底释放主气室中的空气压力。否则，可能导致零件或油液从前叉高速射出，造成人员严重受伤甚至死亡。

2. 完全压下前叉。
3. 测量充满气之轮胎的边缘到叉肩、前叉叉桥和舵管之间的距离。整个轮胎周围至少必须有 8.5 mm 的间隙。

⚠ 警告

如果未能在充满气之轮胎的边缘到叉肩、前叉叉桥和舵管之间留出至少 8.5 mm 的间隙，则可能导致前叉被完全压紧时叉肩受到轮胎的挤压，造成人员严重受伤甚至死亡。

4. 用高压打气筒将气压增加到您理想的设定值。根据 www.Marzocchi.com 上的在线说明设置 Sag。
5. 每次更换轮胎或轮圈时必须重复此测试。

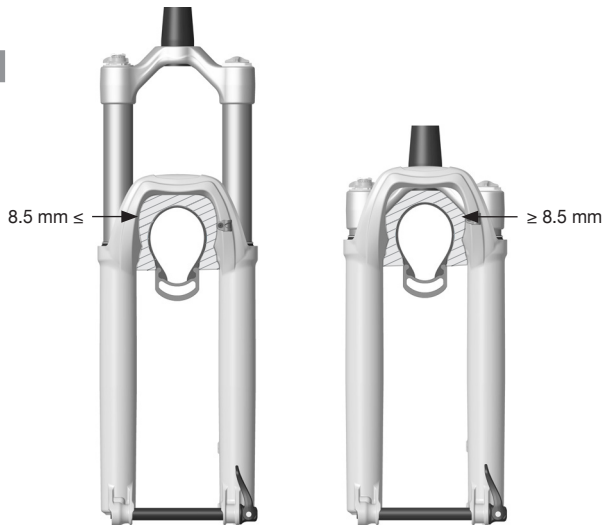
⚠ 警告

请勿超过最大气压：

Super Z 的最大气压为 120 psi (8.3 bar)。

最低气压为：40 psi (2.8 bar)。

压力测量时的环境温度为 21°C 至 24°C (70 °F 至 75°F)。Marzocchi 产品的正常工作温度范围为 -7 °C 至 60 °C (20 °F 至 140 °F)。



空气弹簧容量垫片

更换 Marzocchi Super Z 前叉中的容量垫片是简单的内部调节，能改变中程和触底阻力。如果您已设定合适的 Sag 并且很容易达到全程（触底），则您可以安装 1 个或多个垫片以增加触底阻力。如果您从未达到全程，则您可卸下 1 个或多个垫片以减少触底阻力。

1. 卸下气阀盖。
2. 按压美式嘴阀，从而彻底释放前叉中的空气压力。

警告

Marzocchi 前叉可能有很高的气压。拆解前请彻底释放主气室中的空气压力。否则，可能导致零件或油液从前叉高速射出，造成人员严重受伤甚至死亡。

3. 用无倒角的六角 32 mm 套筒小心地旋松前叉上的顶盖。
4. 向上拉动顶盖组件，将其从前叉叉肩卸下。
5. 水平滑动空气容量垫片，将其安装到顶盖上或从顶盖卸下。

警告

容量垫片的安装数量不得超过您前叉指定的最大数量。否则可能损坏前叉。容量垫片信息请参阅 www.Marzocchi.com。

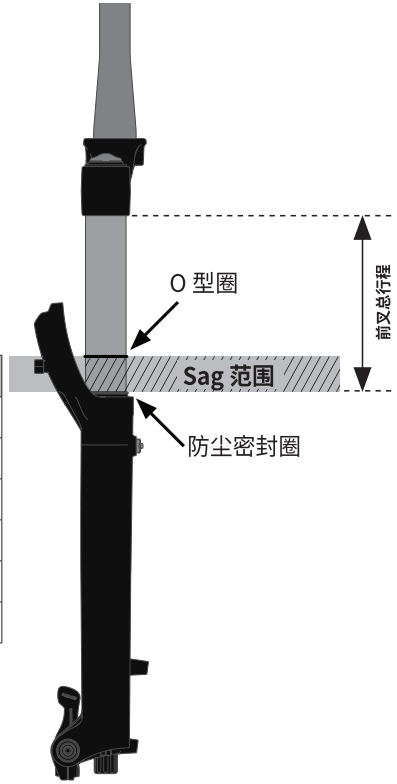
6. 将顶盖组件重新安装到前叉叉肩内，并用无倒角的六角 32 mm 套筒拧紧至 24.8 N•m (220 in-lb)。
7. 用高压打气筒将气压增加到您理想的设定值。根据 www.Marzocchi.com 上的在线说明设置 Sag。

SAG 设置

为取得 Marzocchi 的最佳避震性能，请调整气压以适当设置 Sag。Sag 是指在您体重和骑行装备重量的作用下避震器的压缩量。Sag 范围应设置在前叉总行程的 15-20% 之间。

确保用处于打开模式的压缩阻尼调节器来设置 Sag。

请在 ridefox.com/sagsetup 观看 SAG 设置视频



建议的 Sag 值		
行程	15% Sag (硬)	20% Sag (软)
150 mm (5.9 in)	22 mm (0.9 in)	30 mm (1.2 in)
160 mm (6.3 in)	24 mm (1.0 in)	32 mm (1.3 in)
170 mm (6.7 in)	26 mm (1.0 in)	34 mm (1.3 in)
180 mm (7 in)	27 mm (1.0 in)	36 mm (1.4 in)
190 mm (7.7 in)	28.5 mm (1.1 in)	38 mm (1.6 in)



请勿超过最大气压：

Super Z 的最大气压为 120 psi (8.3 bar)。

建议的 Sag 设置起点			
骑行者体重 (lb)	骑行者体重 (kg)	Super Z 气压	Super Z 回弹设置
120-130	54-59	54 psi (3.7 bar)	13
130-140	59-64	58 psi (4.0 bar)	12
140-150	64-68	62 psi (4.3 bar)	11
150-160	68-73	67 psi (4.6 bar)	10
160-170	73-77	71 psi (4.9 bar)	9
170-180	77-82	75 psi (5.2 bar)	8
180-190	82-86	79 psi (5.4 bar)	7
190-200	86-91	83 psi (5.7 bar)	6
200-210	91-95	87 psi (6.0 bar)	5
210-220	95-100	92 psi (6.3 bar)	4
220-230	100-104	96 psi (6.6 bar)	3
230-240	104-109	100 psi (6.9 bar)	2
240-250	109-113	104 psi (7.2 bar)	1

压缩调节

Grip X 压缩调节

使用此图表作为压缩调节旋钮的调节起点。**转动压缩调节旋钮至闭位（顺时针转满），直至转不动。然后逆时针旋转回下面显示的格数。**



高速压缩调节用于在较大撞击、着陆和方棱碰撞情况下控制前叉的性能。



低速压缩调节用于在骑行者重量转换、G-outs（突然失重）和缓慢用力情况下控制前叉的性能。

OPEN (开位)
15 格



高速压缩 (HSC)

CLOSED (闭位)
(顺时针转满)

OPEN (开位)
16 格



低速压缩 (LSC)

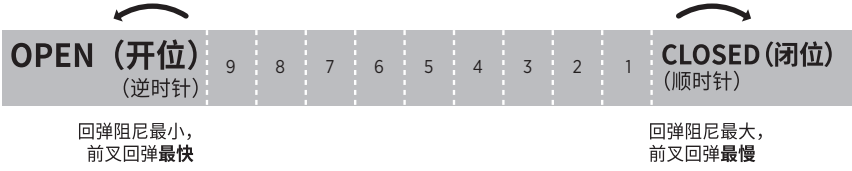
CLOSED (闭位)
(顺时针转满)

压缩阻力最小；
前叉压缩最轻

压缩阻力最大；
前叉压缩最硬

回弹调节

回弹能控制前叉在压缩后的伸展速率。回弹调节取决于空气压力的设置。例如，空气压力越高，则要求回弹越慢。根据空气压力确定对应的回弹设置。回弹调节旋钮位于阻尼器侧前叉腿的下方。



GRIP X 回弹



顺时针旋转回弹旋钮到关闭位置，直至旋不动。然后逆时针旋转到第 81 页中显示的格数。

其它调节方式

夹持式容量垫片

更换 Super Z 前叉中的容量垫片是简单的内部调节，能改变中程和触底阻力。

如果您已设定合适的 Sag 并且很容易达到全程（触底），则您可以安装 1 个或多个垫片以增加触底阻力。

如果您已正确设置 Sag 并且从未达到全程，则您可卸下垫片以减少触底阻力。

安装程序和调节方式详见：ridefox.com/ownersmanuals

Super Z 容量垫片配置		
行程	厂方安装的容量垫片	*最大容量垫片数量
190 mm	0	4
180 mm	1	5
170 mm	2	6
160 mm	3	7
150 mm	4	8

保养

除定期保养服务外，在骑行间隙适当清洁您的 Marzocchi 产品有助于节省维修费用并延长产品寿命。

如需进一步了解保养步骤方面的信息，请访问 www.Marzocchi.com，或与 Marzocchi US 联系以获取全面的保养服务 (1.800.369.7469)。

建议的基本服务项目	每次骑行前	每次骑行后	定期	每 125 小时骑行或每满一年, 以先发生的为准*
检查前叉的整个外部。若任何外部零部件有损坏迹象，则前叉不能继续使用。请与您当地的经销商或 Marzocchi 联系维修事宜。	X			
检查快脱杆和轴是否适当调节并拧紧。	X			
检查车头碗组调节。若已松动，则应根据您的自行车厂商的建议予以相应调节。	X			
检查所有刹车线缆或油管是否适当固定。在平地上测试前后刹车的功能是否正常。	X			
仅用温和的肥皂和水清洁外表面，并用柔软的毛巾擦干。请勿使用高压清洗器或直接向密封圈喷水。		X		
检查 Sag 和阻尼器设置。检查控件是否有肉眼可见的损坏或功能失常。			X	
全面保养（全面内部 / 外部检查、阻尼器重新组装、空气弹簧重新组装、浴油和防尘装置更换）。				X

* 对于那些进行高山速降骑行、山地车公园骑行、或极限自由骑行，或在极度潮湿 / 泥泞或干燥 / 多尘环境中骑行且在路途中有尘土溅喷到前叉上的骑行者，Marzocchi 鼓励其根据实际需要在前述推荐日期前提早进行保养。若您听到、看到或感觉到异常情形，请立即停止骑行并于 Marzocchi 授权保养中心联系以进行适当的保养。

Marzocchi 对其避震产品提供以下有限质保：

MARZOCCHI 有限质保

避震器产品一 (1) 年有限质保

受限于本质保所含限制、条款与条件，Marzocchi 向每一新的 Marzocchi 避震产品的最初零售购买者（消费者）保证，Marzocchi 新避震产品在材质和工艺上无瑕疵。除非法律另有规定，本质保有限期为 Marzocchi 原避震产品从 Marzocchi 授权经销商或授权原始设备生产商处（Marzocchi 避震产品作为原始设备配在所购车辆上）零售购买之日起一 (1) 年。

质保条款

本质保的前提是 Marzocchi 避震产品在正常条件下工作并按照 Marzocchi 的说明适当维护。本质保仅适用于从 Marzocchi 授权资源处新购的 Marzocchi 避震产品，仅向 Marzocchi 新避震产品的最初零售购买者（消费者）提供，不得向后续用户转让。

如 Marzocchi 根据其唯一的、最终的自由裁量确定一项 Marzocchi 避震产品在本质保范围内，则该产品将由 Marzocchi 全权选择用相当型号的配件修理或更换，这一选择将是最终的、约束性的。这是本有限质保项下的排他性救济。本有限质保项下的任何和所有其他可能适用的救济和损害赔偿均在此排除，包括但不限于偶然性或后果性的损害赔偿或惩罚性赔偿。

本有限质保不适用于正常磨损以及因滥用、过失、不当安装、更改或改装、不当或未经授权的修理或保养、撞车、事故或碰撞或其他非正常、过度或不当使用而导致的故障或功能失常。

本有限质保给予消费者特定的法定权利。消费者根据适用的全国性法律可能享有的其他法定权利不受本有限质保的影响。如果具有管辖权的法院裁定本有限质保的特定条款不适用，则此裁定不应影响本有限质保的任何其他条款，且所有其他条款应仍为有效。

这是 Marzocchi 对其避震产品和元件做的唯一保证，在本说明之外无任何其他延伸的保证。法律可能默示的任何其他保证，包括但不限于关于适销性或特定目的适用性的默示保证，均在此排除。

本有限质保应排他性地由加利福尼亚州的法律进行管辖。

如果对本质保或 Marzocchi 产品有任何疑问，请致电 1-800- 369-7469 联系 Marzocchi 美国客服部门，或访问 www.Marzocchi.com。

根据本有限质保提出索赔时，您需要向 Marzocchi 授权维修中心出具：

1. 产品（或受影响零部件），及
2. 原始购买凭证的复印件，清楚标明卖方的名称和地址、购买日期和地点、产品零部件号以及序列号（如果使用了的话）。如果 Marzocchi 产品作为完整自行车的一部分出售，则应包括自行车品牌、型号、型号年份和序列号。

Marzocchi 是 FOX Factory, Inc 持有的品牌。

This page is intentionally left blank.



marzocchi

©MARZOCCHI. 2024 // 1.800.369.7469
915 Disc Drive, Scotts Valley, CA 95066 USA
605-00-310 REV B

marzocchi.com