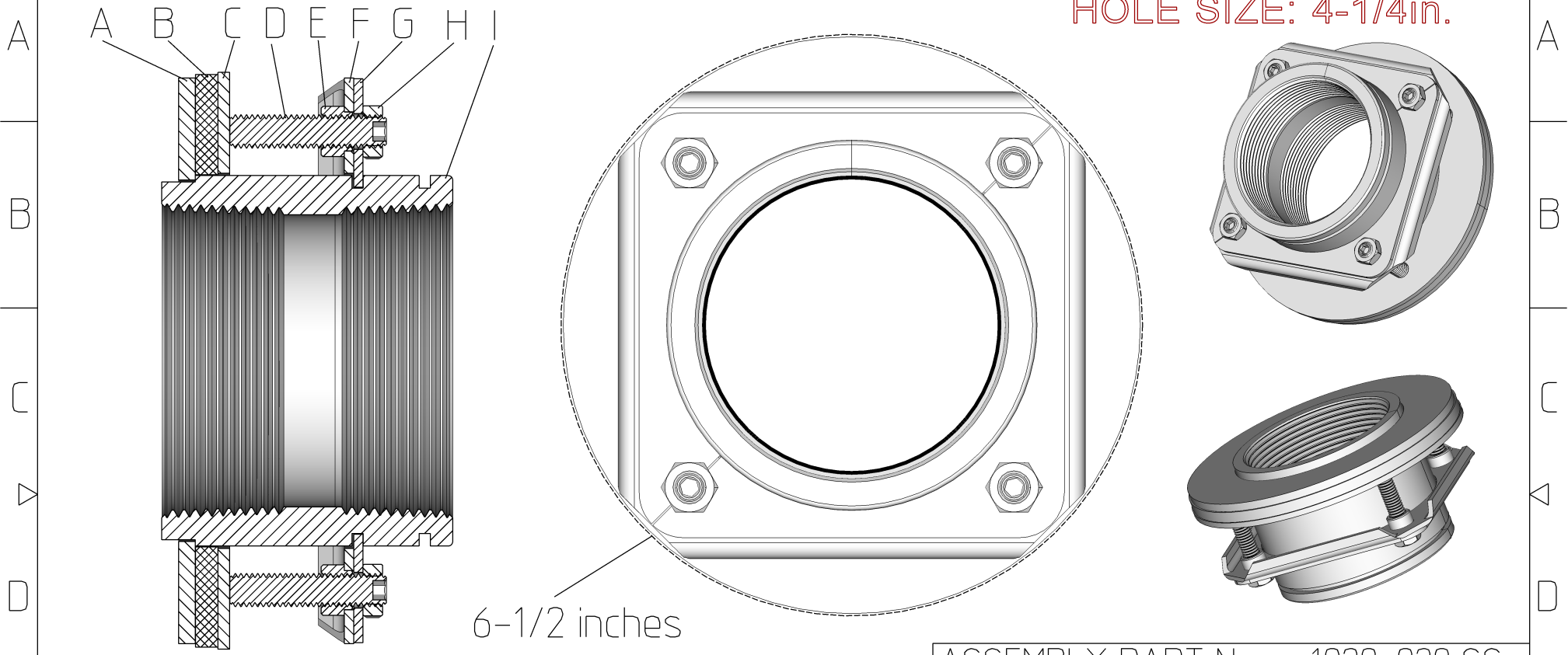


CONFIDENTIAL AND PROPRIETARY

WALL CAPACITY UP TO: 1-3/4in.
HOLE SIZE: 4-1/4in.



6-1/2 inches

ASSEMBLY PART No.: 1030-030 SS

ITEM	QTY.	O.D.	DESCRIPTION	PART No.
A	1	6 1/4"	WELD PLATE	40106
E	1	--	GASKET	G-030
C	1	6 1/2"	BACKING PLATE	40116
D	4	--	3/8-16 SET SCREW	38134
E	4	--	PRESSURE PLATE NUT	ZT-38
F	1	5 1/8"	PRESSURE PLATE	40126
F	1	--	RETAINING PLATE	40136
H	4	--	3/8-16 JAM NUT	JN38
I	1	4 1/8"	COUPLER	K-611-48

TANK FITTING TECHNOLOGIES

805 BROAD ST. SUITE 2
KLAMATH FALLS, OR 97601

TITLE: 3 INCH FULL COUPLING
FNPT X FNPT ASSEMBLY

DRAWN BY:
JLG

PATENT# 7527299