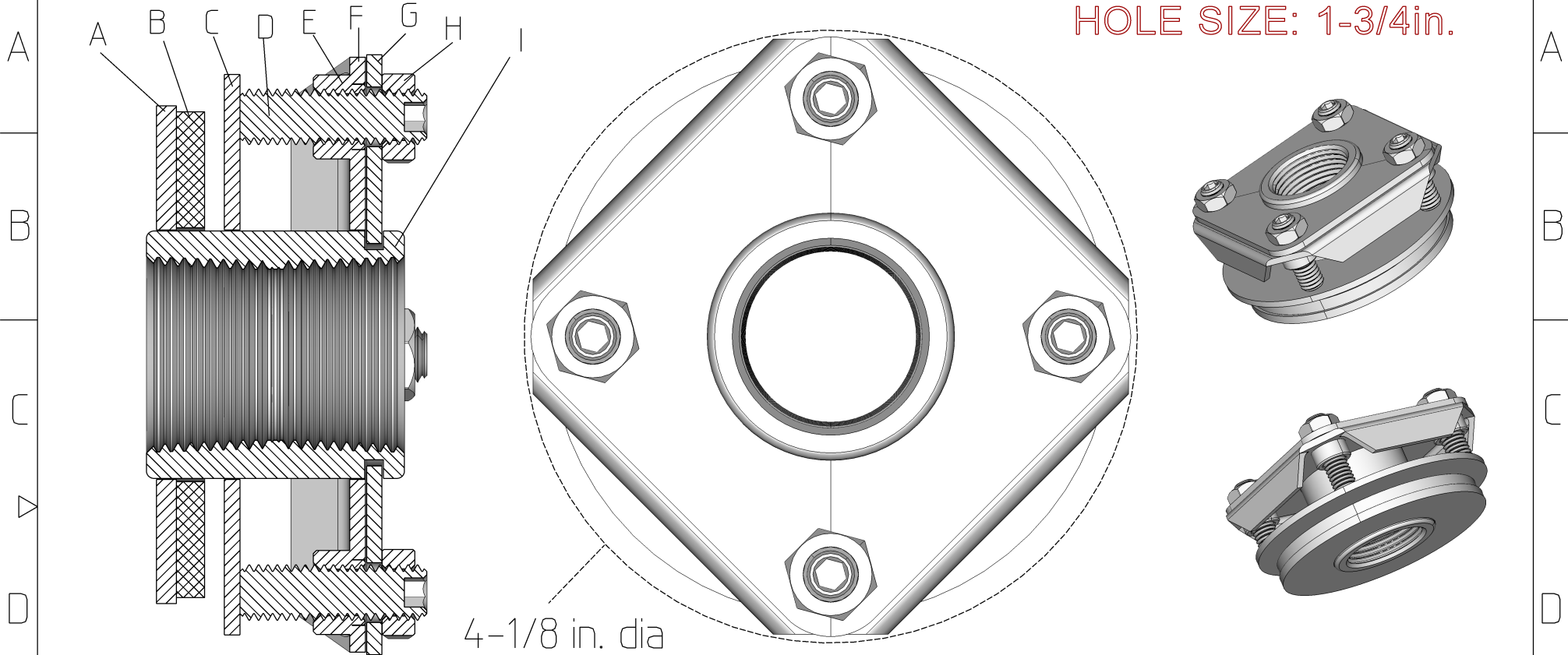


CONFIDENTIAL AND PROPRIETARY

WALL CAPACITY UP TO: 1/2 in.  
HOLE SIZE: 1-3/4 in.



4-1/8 in. dia

ASSEMBLY PART No.: 1030-010 SS

ITEM	QTY.	O.D.	DESCRIPTION	PART No.
A	1	3 5/16"	WELD PLATE	40100
B	1	--	GASKET	G-010
C	1	3 3/4"	BACKING PLATE	40110
D	4	--	3/8-16 SET SCREW	38134
E	4	--	PRESSURE PLATE NUT	ZT-38
F	1	4 1/8"	PRESSURE PLATE	40120
G	1	--	RETAINING PLATE	40130
H	4	--	3/8-16 JAM NUT	JN38
I	1	1 3/4"	COUPLER 1IN. FNPT x FNPT	M611-16

# TANK FITTING TECHNOLOGIES

805 BROAD ST. SUITE 2  
KLAMATH FALLS, OR 97601

TITLE: 1 INCH FULL COUPLING  
FNPT X FNPT ASSEMBLY

DRAWN BY:  
JLG

PATENT# 7527299