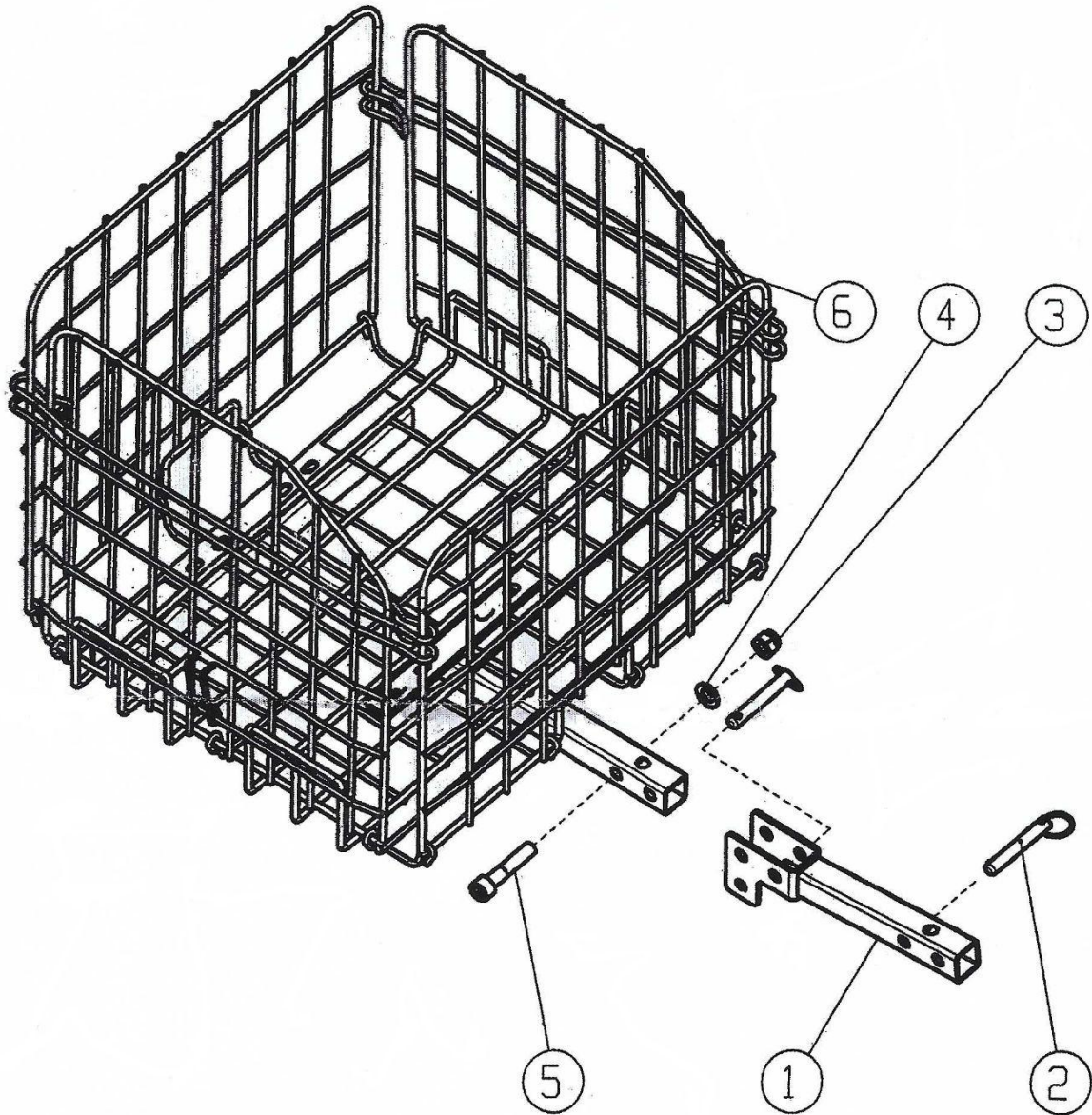


Folding Basket Assembly Schematic



6		folding basket	1	steel			
5		inner hexagonal bolt M10x40	1	standard parts			galvanization(black)
4		flat washer 10	1	standard parts			galvanization(black)
3		anti-loose nut M10	1	standard parts			galvanization(black)
2		thumb lock M10x65	2	standard parts			
1		turning rest	1	steel			
NO.	Code name	Name	Quantity	Material	single	total	Remarks
					Weight	Weight	