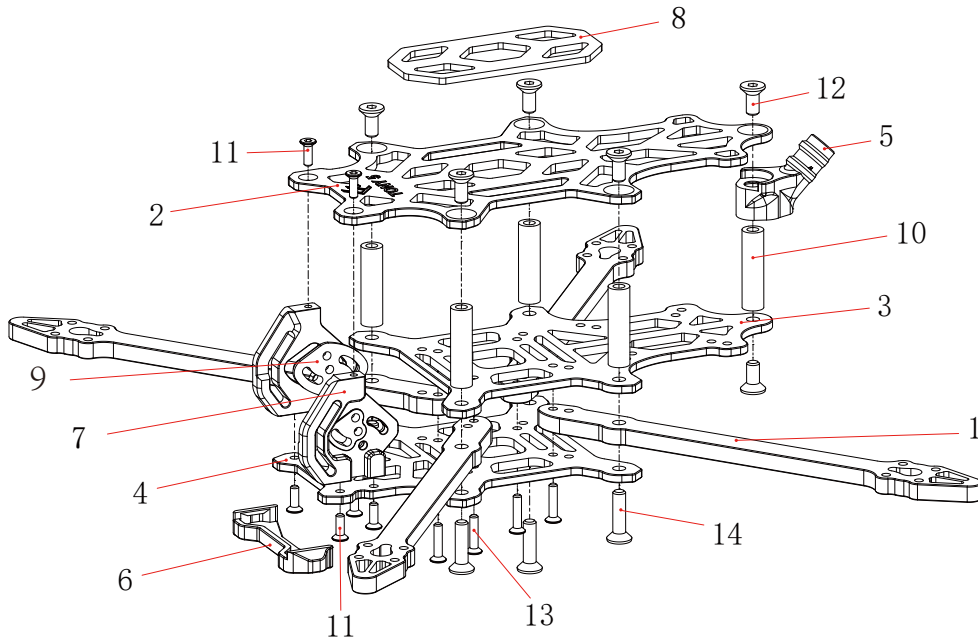


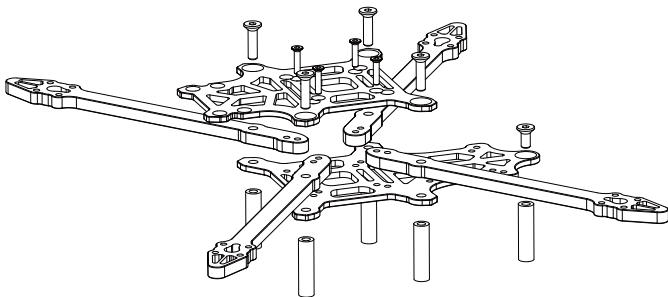
Tony 5

Frame Instructions

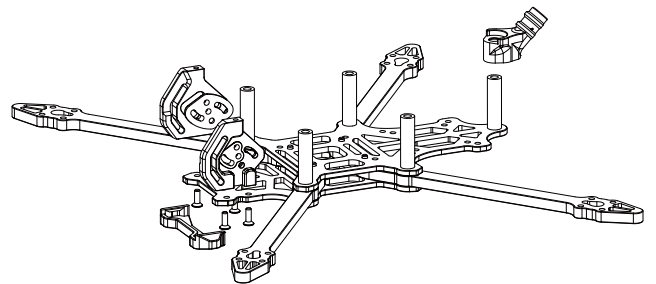


- 1. 4mm Arm x4
- 2. 2mm Top Plate x1
- 3. 2mm Middle Plate x1
- 4. 2mm Bottom Plate x1
- 5. Antenna TPU x1
- 6. Front Bumper TPU x1
- 7. CNC Camera Mount x2
- 8. Battery Anti-Slip Pad x1
- 9. Vibration Silicone Dampers x2
- 10. M3*19 Hex Al.Standoff x5
- 11. M2*6 Countersunk Screw x6
- 12. M3*8 Countersunk Screw x6
- 13. M2*8 Countersunk Screw x4
- 14. M3*12 Countersunk Screw x4

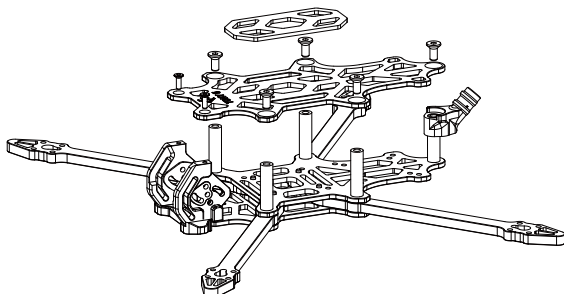
1/4



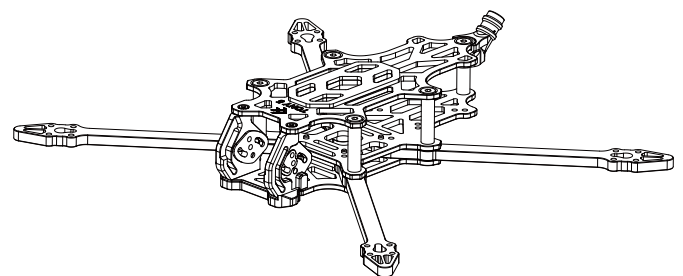
2/4



3/4

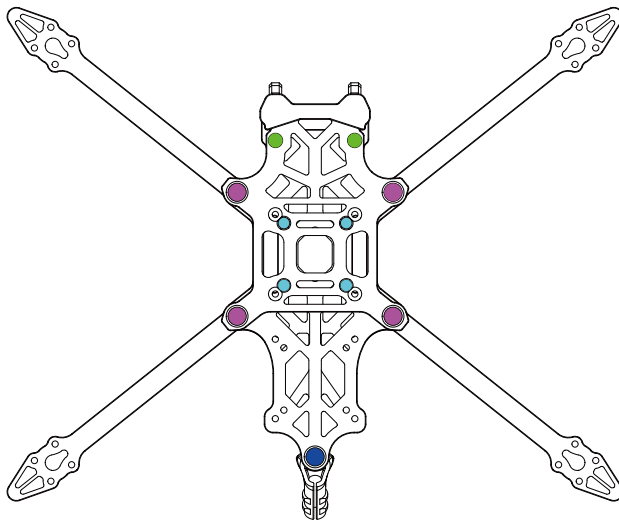
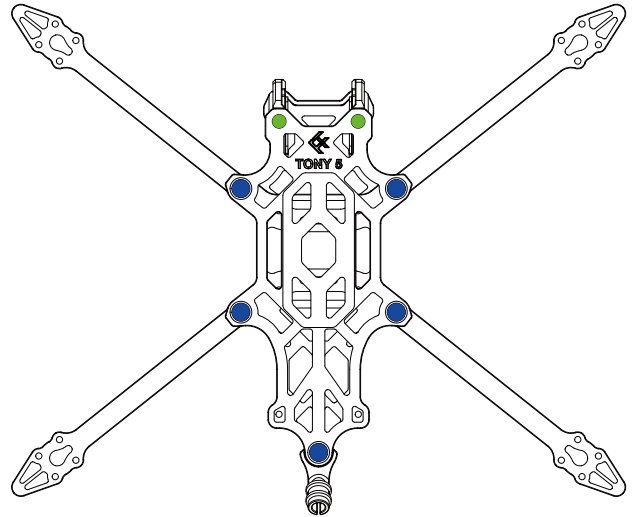


4/4



Top mounting diagram

- M2*6 Countersunk Screw x2
- M3*8 Countersunk Screw x5



Bottom mounting diagram

- M2*6 Countersunk Screw x2
- M2*8 Countersunk Screw x4
- M3*8 Countersunk Screw x4
- M3*12 Countersunk Screw x1

