



R-2000-S/R-2000-W

Ultra Long Range Readers

Ultra Long Range, Hands-Free RFID Readers for Vehicle, Asset and Personnel Tracking



R-2000-S Serial Reader (Shown in a 2NEM Enclosure)

The R-2000 Series Ultra Long Range RFID Reader detects and decodes RF transmitted signals from 1st Choice Tags.

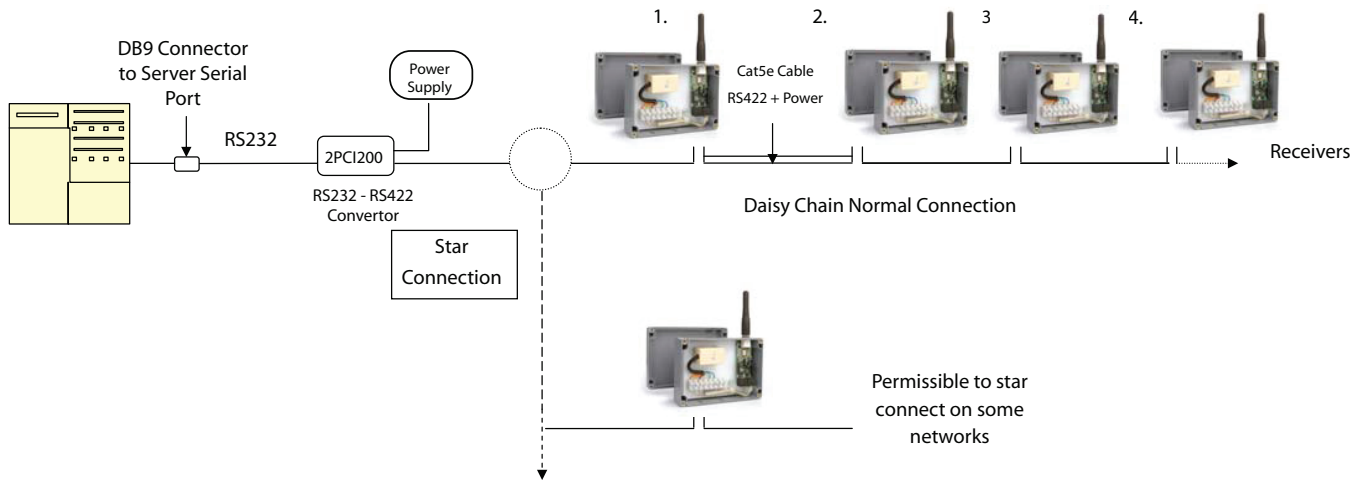
R-2000 Series Readers can connect to third party software systems using RS232/RS422 and/or connect to any Access Control System using Wiegand protocol.

Tags and Readers provide an accurate and real-time ability to detect, track, control and monitor vehicles, assets and personnel. This dynamic technology can be applied to operations and processes in all types of industries.

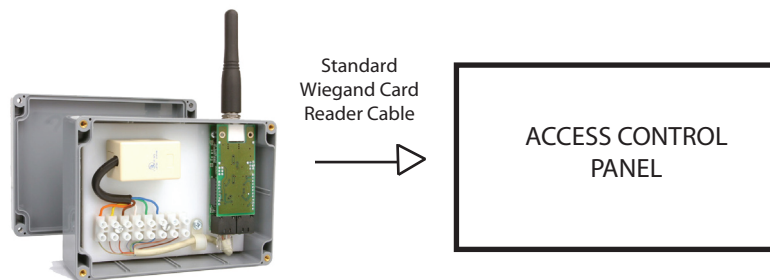
Features:

- * Adjustable read range :
1'-600' with standard Antennas -
Longer range with special
Antennas
- * R-2000-S includes RS422 multi-
drop connection in serial network
mode
- * R-2000-W outputs Wiegand 26/32 bit
for direct connection to Access
Control Systems and serial
RS-232/422 for custom software
solutions
- * R-2000-W includes Adjustable
Wiegand multi-tag buffering for
use with Access Control Systems
- * Reader status indication LEDs
- * Plug-in tool kit for field
programming and adjustments
- * Simultaneous multiple Tag read
capability
- * Both Omni-Directional and
Directional Antennas are available
- * **PROTRAC** Dynamic Tag Tracking
- * Secure Encrypted Transmission
between Tags and Readers

R-2000-S Basic Serial Configuration



R-2000-W Basic Wiegand Configuration



RFID Applications

- *Transportation
- * Mining
- * Emergency Evacuation
- * Supply Chain
- * Petrochemical
- * Healthcare
- * Manufacturing
- * Gated Communities
- * Education

Reader Specification

RX Frequency.....433.92 Mhz
 RF Input.....BNC (Female)
 Sensitivity.....-103 dBm
 Bandwidth.....700kHz

Operational Temperature -40° to +140°F
 Size.....4.3" x 2.4" x .86"
 Weight.....1.2 oz
 Max Current.....60mA
 Supply Voltage.....8.5 - 24 VDC

For More
 Information
 Contact:



Power Door Products

(914) 698-5083

www.PowerDoorProducts.com