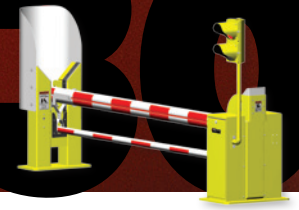


# CRASH M30

## Strong Arm (M30)<sup>TM</sup>

Patent Pending

Crash Barrier Arm Operator

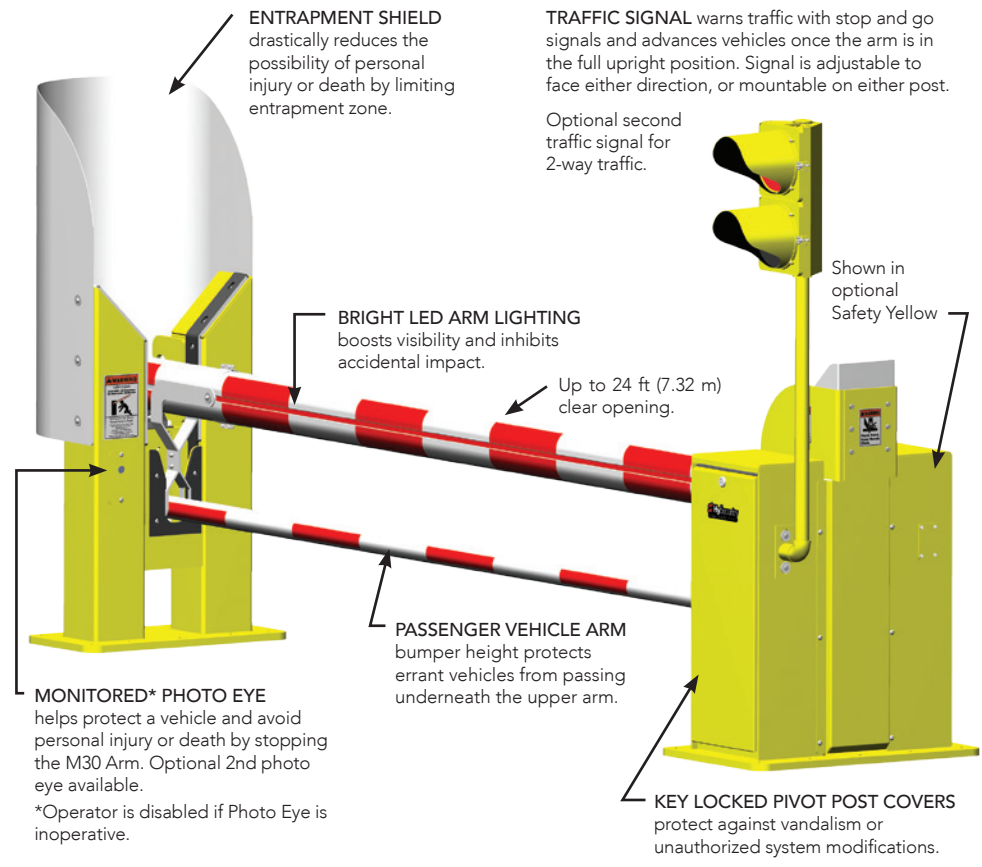


**Ultra reliable/Low maintenance • Crash Certified M30 (K4) • Unmatched User Safety**

- **Crash certified to ASTM F2656-07 M30, P1 standard.** Penetrated less than 1 meter
- **Fast arm speed, 6-8 seconds\*,** reduces traffic backup by minimizing gate open time  
\*Depending on arm length
- **Unique dual arm design** prevents a large truck or a small passenger vehicle from breaching the security perimeter
- **Save time, ensure accuracy** with provided foundation templates
- **Shallow mount foundation** reduces set-up time and cost

**TYPICAL SITES**

Military, Embassy, Airport, Corrections, Petrochemical, Hydroelectric, Port, Law Enforcement, Nuclear Power



**STANDARD BENEFITS**

- Highly visible LED lighting protects against accidental impact
- Dual arm design for safety and security
- Full 90 degree opening prevents tall vehicles from clipping arm
- Monitored photo eye stops arm when obstructed for enhanced safety
- Emergency Fast Close 5 to 7 seconds depending on arm length
- Hand pump for manual operation
- Integrated encoder produces smooth arm movement and is easy on hardware

- NEMA 3R all weather enclosure with hot dip galvanized anti-corrosion finish
- Arm securely locks hydraulically

**OPTIONAL BENEFITS**

- Intelligent HY-5A vehicle detectors (plug-in)
- Biodegradable, non-toxic fluid
- Main and remote operator panels
- Mag lock for additional security
- Custom color paint
- Secondary traffic light for two-way traffic
- Uninterruptible Power Supply (UPS) TBA



Power Door Products

(914) 698-5083

www.PowerDoorProducts.com

# Ultra Reliable High Security

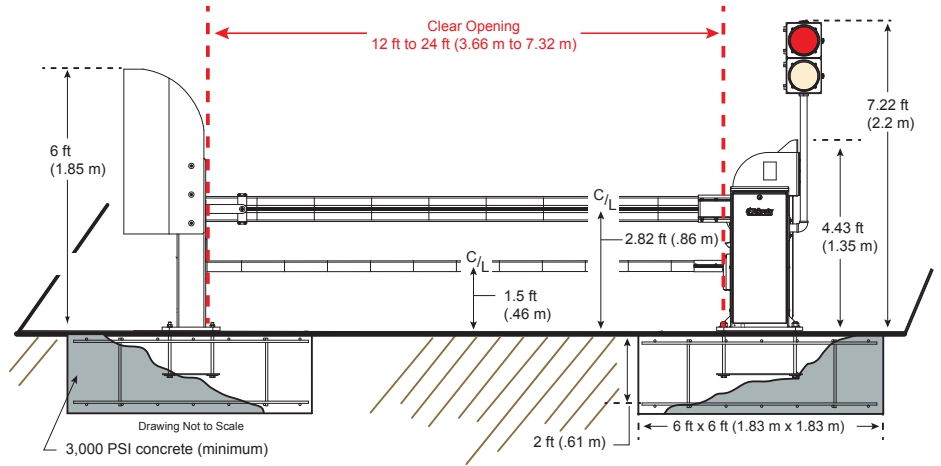
Distributed by:



See the latest from HySecurity at [www.hysecurity.com](http://www.hysecurity.com)

Crash certified **StrongArm™ M30** barrier arm provides ultimate hardened security with unmatched user safety for the demanding reliability requirements of industrial, government and military users. HySecurity's unique dual arm design prevents a 15,000 lb (6.8 metric tons) truck or small passenger vehicle from penetrating a secure perimeter. Fast, continuous duty\* arm speed minimizes gate open time, and reduces traffic backup by moving more vehicles per hour through the access point.

\* 100 cycles/hour



StrongArm M30 operator, barrier arm, and foundation dimensions

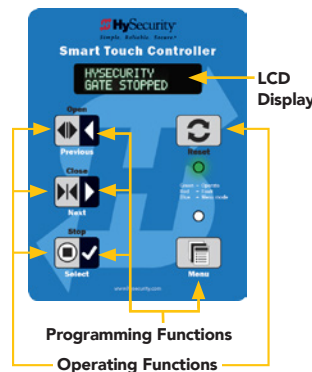
## StrongArm (M30)™

Patent Pending

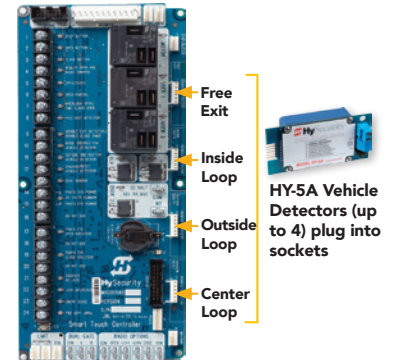
| CRASH                                    |  |
|--|--|
| Model                                    | <b>StrongArm M30</b>   |
| Crash Certified                          | ASTM F2656-07 M30, P1  |
| Duty Cycle                               | Continuous duty*   |
| Horsepower                               | 2 hp   |
| Drive                                    | Hydraulic  |
| Open/Close Time                          | 6 to 8 seconds depending on arm length   |
| Emergency Fast Close Time                | 5 to 7 seconds depending on arm length   |
| Clear Opening                            | 12 ft to 24 ft in 2 ft increments (3.66 m to 7.32 m in .61 m increments) Call for custom arm length  |
| Ingress Protection                       | IP56   |
| Temperature Rating                       | -40° F to 158° F (-40° C to 70° C) using environmentally friendly Uniflow fluid or -10° F to 158° F (-23° C to 70° C) using biodegradable fluid. |
| 1 Phase Power                            | 208/230 VAC, 50/60 Hz 20A  |
| 3 Phase Power                            | 208/230 VAC, 50/60 Hz 20A, 380/480 VAC, 50/60 Hz 15A   |
| Communication                            | RS-232, RS-485, Ethernet option  |
| User Controls                            | Smart Touch Controller with 70+ configurable options. Smart Touch keypad and display or a PC using S.T.A.R.T. software.                          |
| Relays                                   | Three configurable user relays: one 30VDC, 3A solid state and two 250VAC, 10A electromechanical; Optional Hy8Relay™                              |
| Foundation                               | 6 x 6 x 2 ft (1.83 x 1.83 x .61 m) or 4 ft <sup>3</sup> (1.22 m <sup>3</sup> ) 3,000 psi concrete, #5 rebar, grade 60                            |
| Warranty                                 | 5 year   |
| <b>Available with UPS Battery Backup</b> |  |
| UPS Backup Model                         | <b>StrongArm M30 UPS**</b>   |

\*100 cycles per hour \*\*UPS model available TBA

### Smart Touch Controller Keypad



### Smart Touch Controller Board



## SMART TOUCH CONTROLLER

- Microprocessor-based (Non-PLC)
- 21 field configurable inputs
- 3 field configurable user relay outputs; Optional Hy8Relay™ - provides eight additional programmable relay outputs
- 4 plug-in HY-5A vehicle detector sockets
- RS-232 and RS-485
- Date & time stamped fault logs, errors and security alerts
- PC interface for easy configuration and quick troubleshooting using Smart Touch Analyze and Retrieve Tool (S.T.A.R.T.)

**SYSTEM DESIGN SUPPORT:** Contact HySecurity for CAD drawings, specifications, help with custom site requirements, installer referrals, and other technical support.