

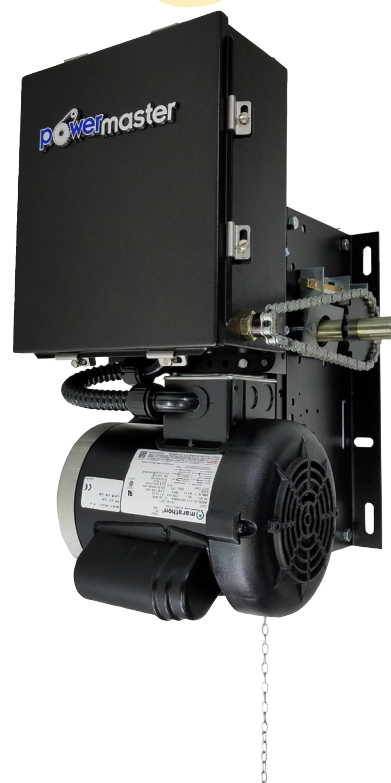
powermaster

CJ

Door Operator for Carwash Type Applications on Sectional Doors with Standard Lift, High Lift, or Vertical Lift, as well as Rolling Service Doors and Grilles.

STANDARD FEATURES

- HIGH STARTING TORQUE MOTOR WITH FULL OVERLOAD PROTECTION - REMOVABLE WITHOUT AFFECTING LIMIT SWITCH SETTING
- ON BOARD OPEN/CLOSE/STOP BUTTONS FOR SERVICE AND ADJUSTMENTS
- SOLID STATE CIRCUITRY WITH FEEDBACK LEDs
- FIELD ADJUSTABLE BUILT-IN FUNCTIONS
- AUTO DETECT MONITORED PHOTO BEAM FOR SIMPLIFIED INSTALLATION
- FLOOR LEVEL DISCONNECT & ELECTRICAL INTERLOCK FOR MANUAL OPERATION



*Complete selection of control stations
& accessories are available.*

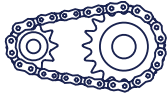
All door operators are required to have a monitored safety system, such as monitored photo eyes and/or monitored 2 or 4 wire obstruction sensing edge. In addition, an ancillary device may be used. The primary device must be a constantly monitored, anti entrapment/safety device.



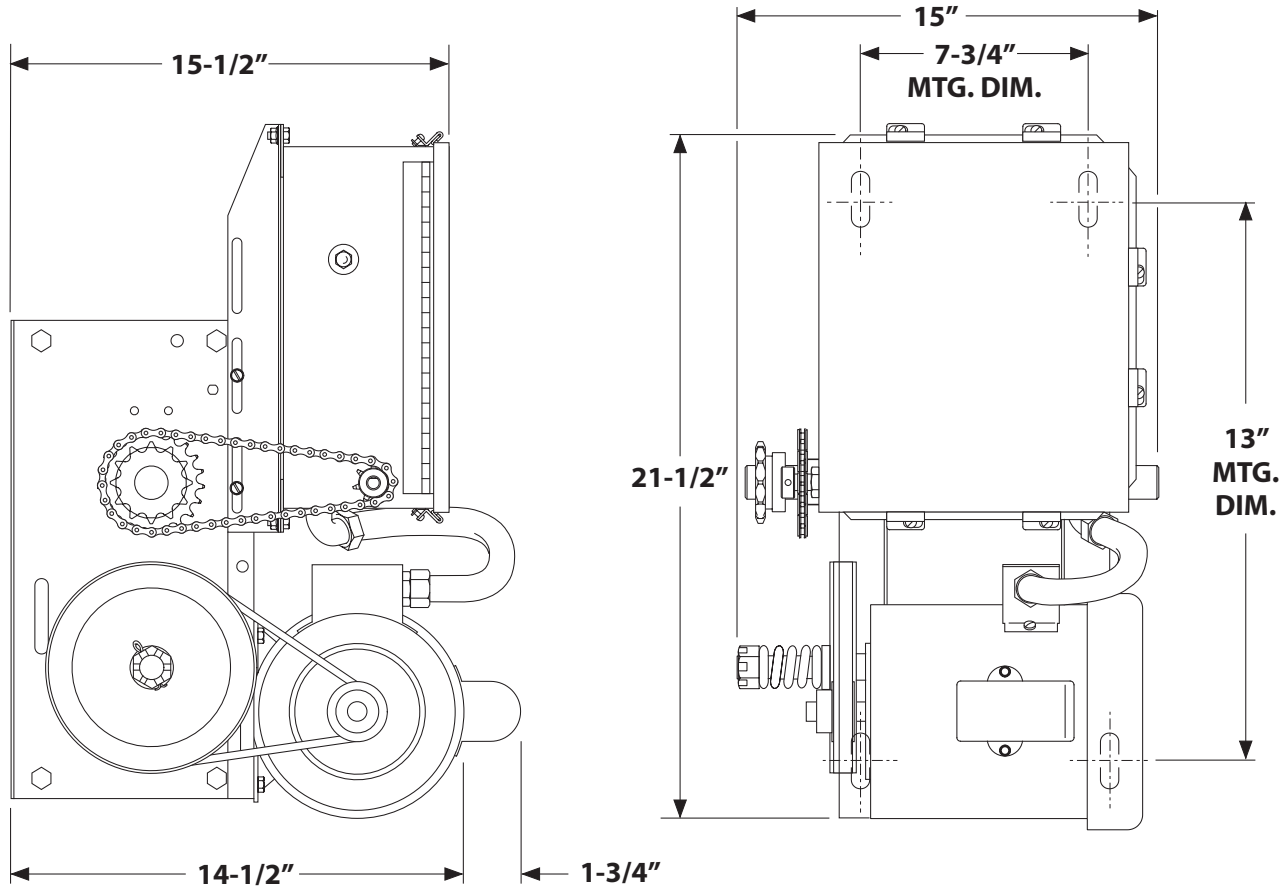
Power Door Products

(914) 698-5083

www.PowerDoorProducts.com



SPECIFICATIONS & FEATURES



AVAILABLE HORSE POWER: 1/2 HP - 1 HP

POWER REQUIREMENTS: 115/230V, 1 PHASE OR 208/230/460V, 3 PHASE

SELECTABLE OPERATING MODES B2, C2, D1, E2, T, TS

FIELD ADJUSTABLE BUILT IN FUNCTIONS INCLUDING: TIMER TO CLOSE, MID-STOP, DELAY ON REVERSE, LOCK BAR SENSING, MAXIMUM RUN TIME, ETC.

HEAVY DUTY V-BELT AND CHAIN REDUCTION, MECHANICALLY SELF LOCKING

HEAVY DUTY #50 CORROSION RESISTANT ROLLER CHAIN AND DRIVE SPROCKET INCLUDED

ADJUSTABLE TORQUE LIMITING CLUTCH

BAKED ON, BLACK POWDER COAT FINISH

SHIPPING WEIGHT: APPROX. 93 LBS

CAUTION

A moving door can cause serious injury or death! Carefully read and follow all safety instructions, precautions, and guidelines when installing and using this product. Motorized doors are for vehicles only. Pedestrians must use a separate entrance. **NO ONE SHOULD CROSS THE PATH OF A MOVING DOOR!** Proper reversing devices must be installed to avoid all hazards and entrapment. Eliminate all hazards and entrapment areas. Warning signs must be permanently installed and visible to traffic and pedestrians. Never allow children to operate or play with controls. Follow UL 325 and ASTM F220-02 standards. Do not install this product unless all hazards and entrapment points are protected.

