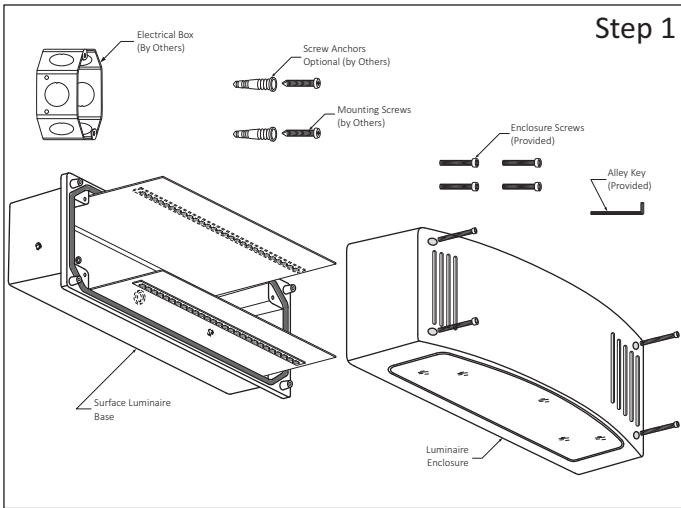


PREPARING THE LUMINAIRE

SURFACE WALL MOUNT LED LUMINAIRE UD500

SAVE THIS INSTRUCTIONS



Step 1

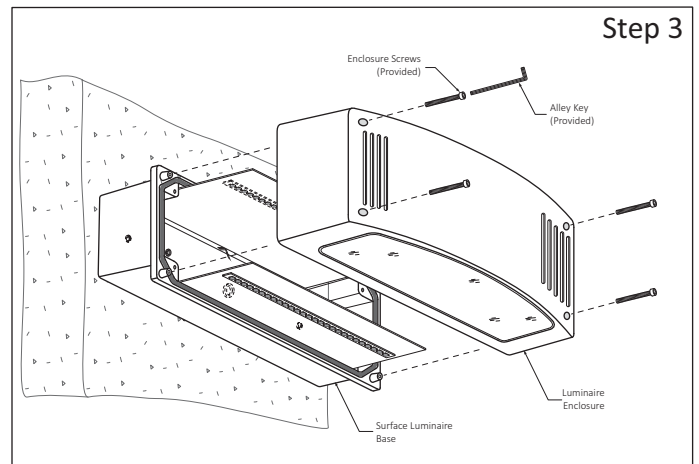
READ AND UNDERSTAND ALL INSTRUCTIONS BEFORE INSTALLATION. IF YOU ARE NOT FAMILIAR WITH THE NATIONAL ELECTRICAL CODE (NEC), CONTACT A QUALIFIED ELECTRICIAN TO INSTALL THIS LUMINAIRE.

WARNING.- Before installing this luminaire or doing any maintenance, turn off the power supply at the circuit breaker or fuse box. Turning the power off using the light switch is not sufficient to prevent electrical shock.

NOTE:

To re-lamp, replacement parts or additional information, contact or visit manufacturer at www.lumux.net

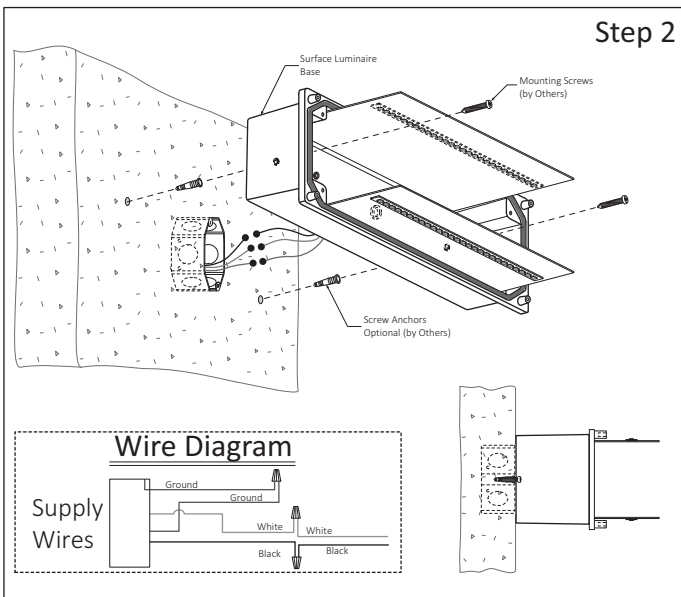
Step 1 - Disassemble Luminaire Parts for easy Installation:
a.- Remove Luminaire Enclosure from Base.



Step 3

Step 3 - Install Luminaire Enclosure:

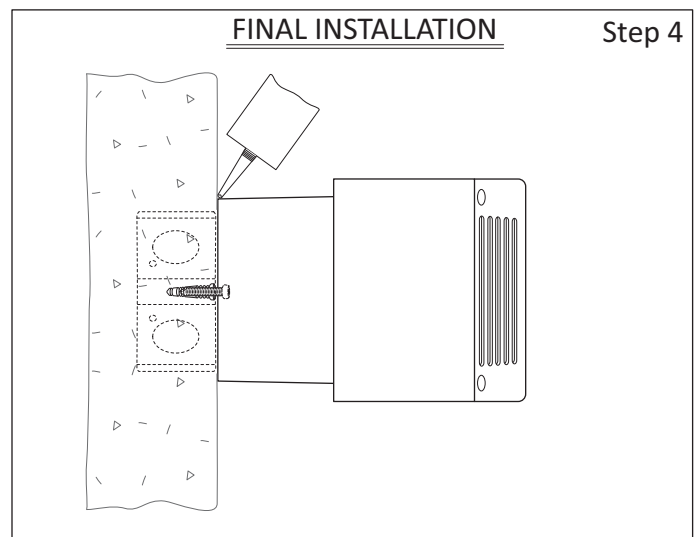
a.- Place Luminaire Enclosure onto the Base and fasten using the four Socket Head Screws (provided).



Step 2

Step 2 - Make Wiring Connections & Install Base:

- a.- Mark Mounting Holes on Surface and Insert Anchors (by Others).
- b.- Place Luminaire Base and run the Electrical Wires through and make hard-wire connections, see Wire Diagram.
- c.- Align Base Holes to Anchors on Surface and fasten using Mounting Screws (by Others).



Step 4

Step 4 - Final Installation:

a.- It is recommended to apply silicone around the Luminaire Base and wall surface for a watertight seal on Outdoor Application.