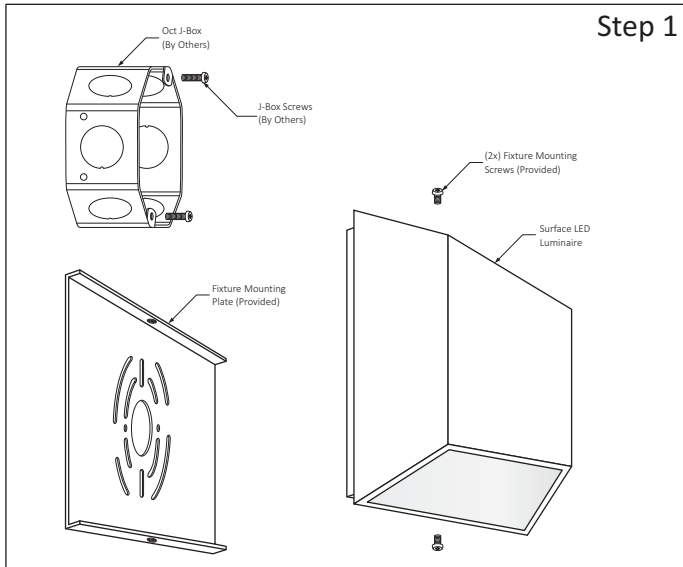


PREPARING THE LUMINAIRE

SURFACE WALL MOUNT LUMINAIRE: SL700

SAVE THIS INSTRUCTIONS



Step 1

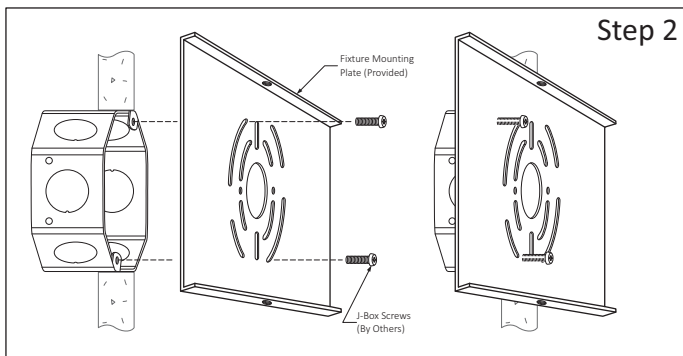
READ AND UNDERSTAND ALL INSTRUCTIONS BEFORE INSTALLATION. IF YOU ARE NOT FAMILIAR WITH THE NATIONAL ELECTRICAL CODE (NEC), CONTACT A QUALIFIED ELECTRICIAN TO INSTALL THIS LUMINAIRE.

WARNING.- Before installing this luminaire or doing any maintenance, turn off the power supply at the circuit breaker or fuse box. Turning the power off using the light switch is not sufficient to prevent electrical shock.

NOTE:

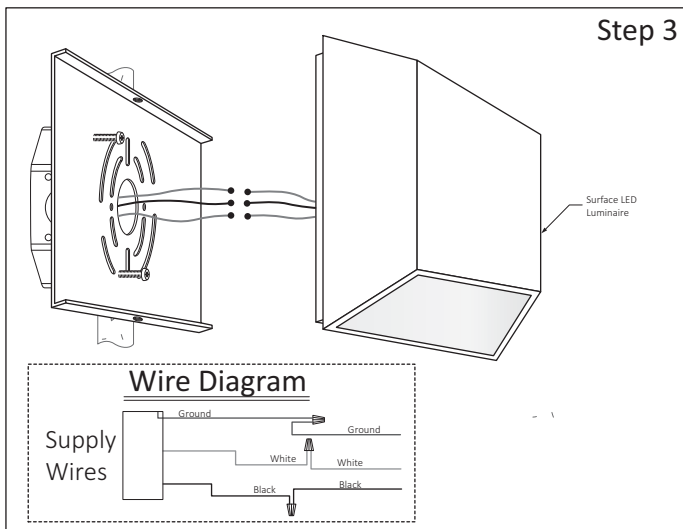
To re-lamp, replacement parts or additional information, contact or visit manufacturer at www.lumux.com

Step 1 - Disassemble Luminaire Parts for easy Installation:
a.- Remove Mounting Plate from back of Luminaire.



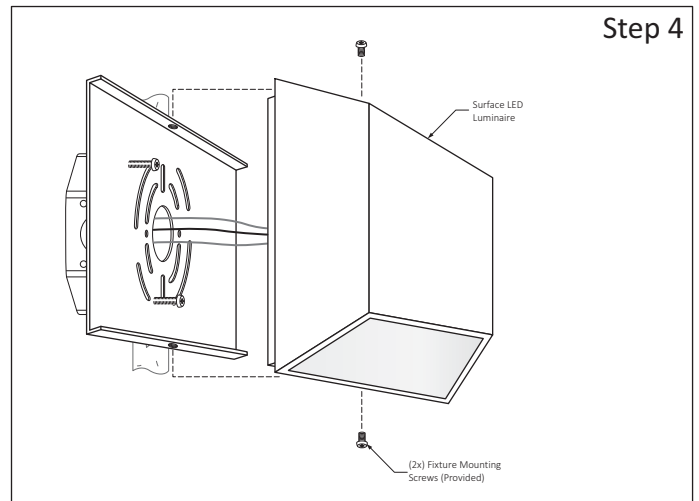
Step 2

Step 2 - Install Fixture Mounting Plate:
a.- Place the Fixture Plate onto the Electrical Box and secure it using two J-Box Screws (By others).



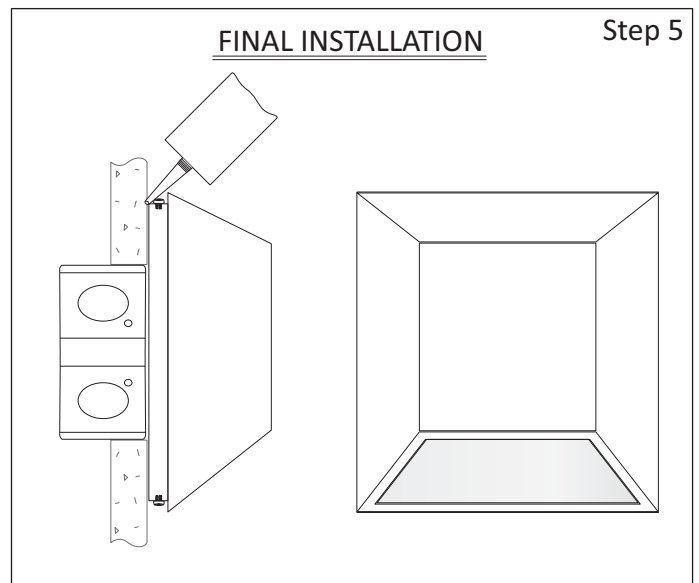
Step 3

Step 3 - Make Wiring Connections:
a.- Run the Electrical Wires through Fixture Mounting Plate and make hard-wire connections, see Wire Diagram.



Step 4

Step 4 - Install LED Luminaire:
a.- Place Luminaire Base on Surface Plate, align the holes and fasten using the two Mounting Screws (provided).



FINAL INSTALLATION

Step 5

Step 5 - Final Installation:
a.- It is recommended to apply silicone around the Luminaire Base and wall surface for a watertight seal for Outdoor Application..