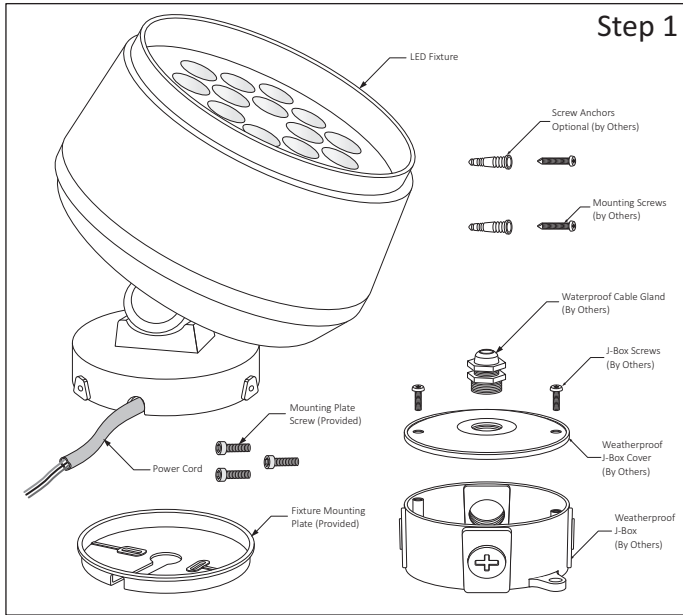


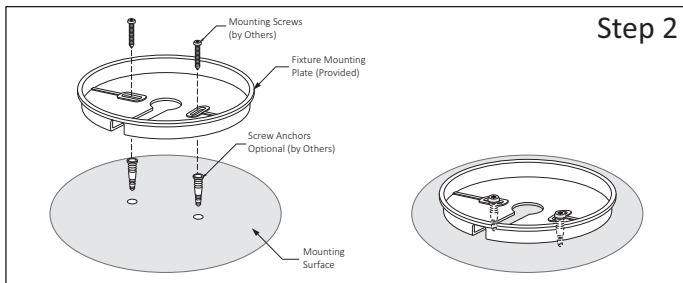
PREPARING THE LUMINAIRE

SURFACE / GROUND MOUNT LUMINAIRE: FL500-4/FL500-7/FL500-9

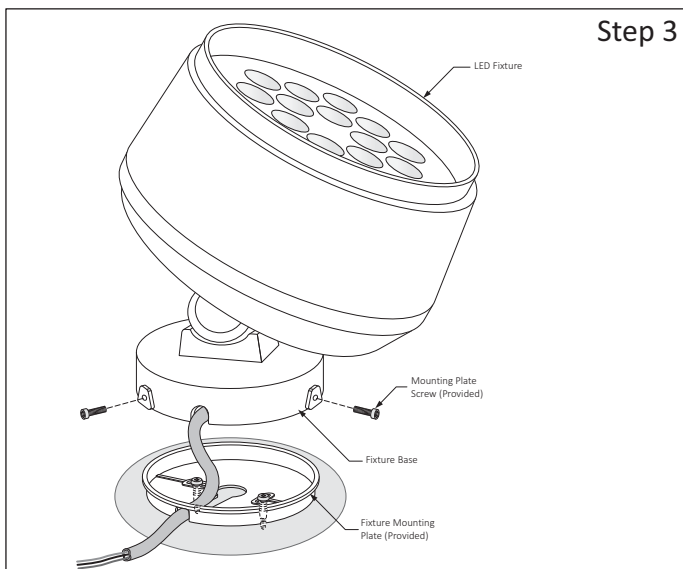
SAVE THIS INSTRUCTIONS



Step 1 - Disassemble Luminaire Parts for easy Installation:
a.- Remove Mounting Plate from Fixture Base.



Step 2 - Install Fixture Mounting Plate:
a.- Trace hole location on Surface using the Plate, insert Anchors (by others).
b.- Place Mounting Plate and fasten using Screws (by others).



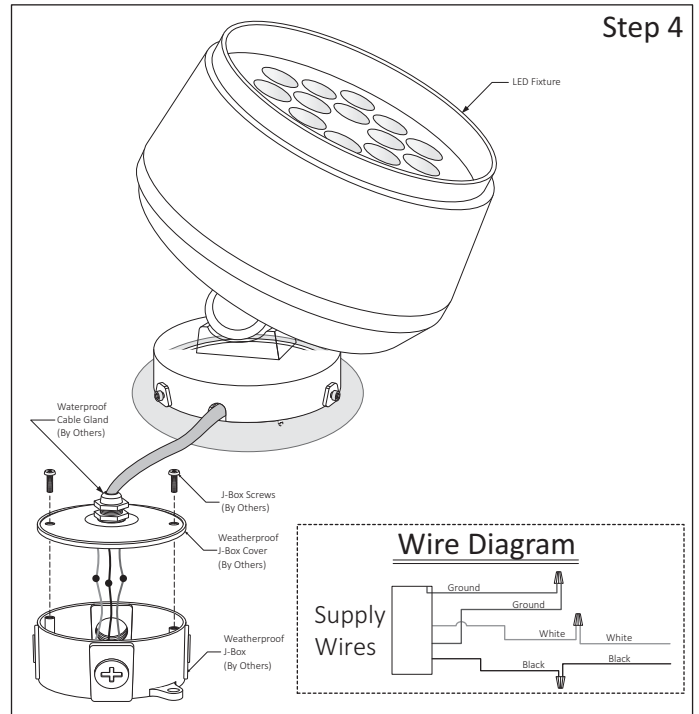
Step 3 - Install Fixture:
a.- Run Power cord through the Mounting Plate Notch, place Fixture Base and fasten using the screws (provided).

READ AND UNDERSTAND ALL INSTRUCTIONS BEFORE INSTALLATION. IF YOU ARE NOT FAMILIAR WITH THE NATIONAL ELECTRICAL CODE (NEC), CONTACT A QUALIFIED ELECTRICIAN TO INSTALL THIS LUMINAIRE.

WARNING.- Before installing this luminaire or doing any maintenance, turn off the power supply at the circuit breaker or fuse box. Turning the power off using the light switch is not sufficient to prevent electrical shock.

NOTE:

To re-lamp, replacement parts or additional information, contact or visit manufacturer at www.lumux.net



Step 4 - Connect Fixture to a Waterproof Electrical Box:
a.- Insert Fixture Power Cord to the Cable Gland (by others).
b.- Make wiring connections, see Wire Diagram.
c.- Place J-Box cover and fasten to Weatherproof J-Box (by others).

