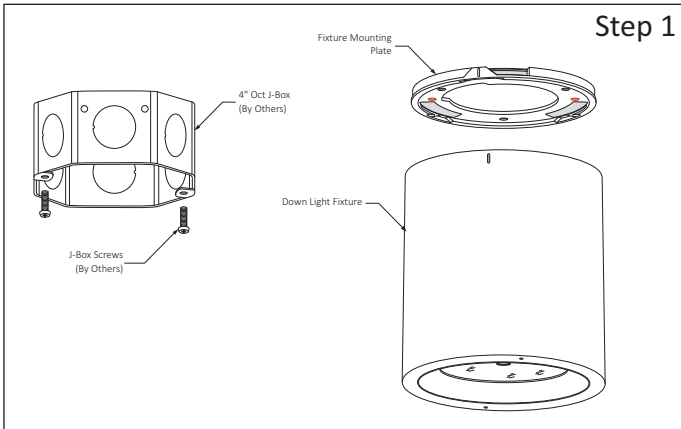


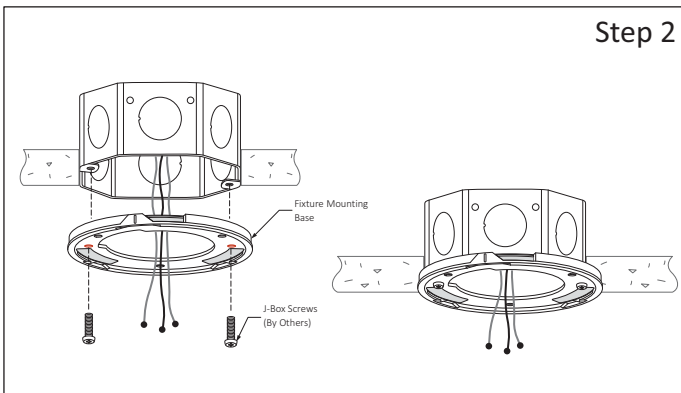
PREPARING THE LUMINAIRE

SURFACE CEILING MOUNT LUMINAIRE: DL100 / DL500

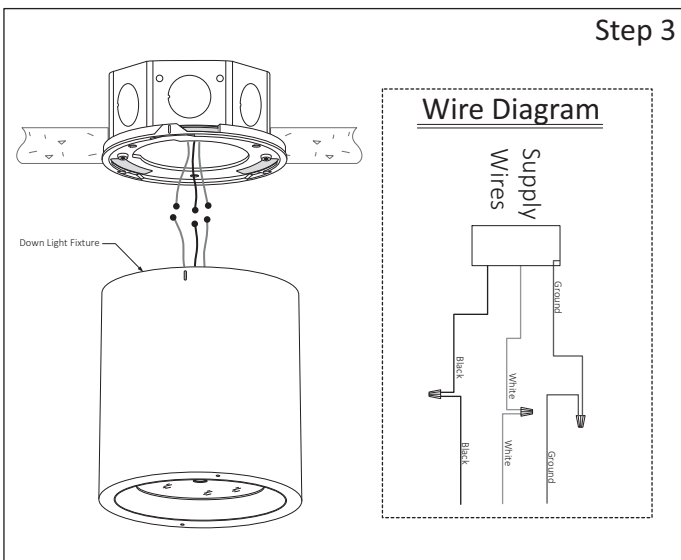
SAVE THIS INSTRUCTIONS



Step 1 - Disassemble Luminaire Parts for easy Installation:
 a.- Remove Mounting Plate from Down Light Fixture by turning counterclockwise.



Step 2 - Install Fixture Mounting Plate:
 a.- Run Electrical Wires from J-Box through Fixture Plate Hole.
 b.- Place the Mounting Base onto the Electrical Box and fasten it using two J-Box Screws (By others).



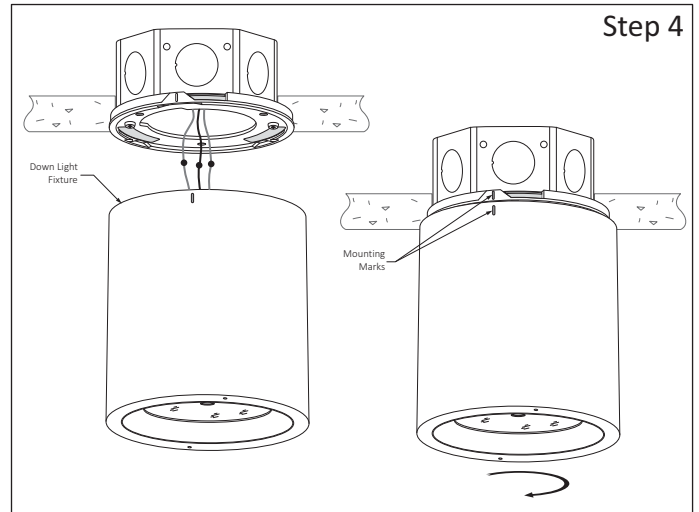
Step 3 - Make Wiring Connections:
 a.- Run the Electrical Wires through all the Parts and make hard-wire connections, see Wire Diagram.

READ AND UNDERSTAND ALL INSTRUCTIONS BEFORE INSTALLATION. IF YOU ARE NOT FAMILIAR WITH THE NATIONAL ELECTRICAL CODE (NEC), CONTACT A QUALIFIED ELECTRICIAN TO INSTALL THIS LUMINAIRE.

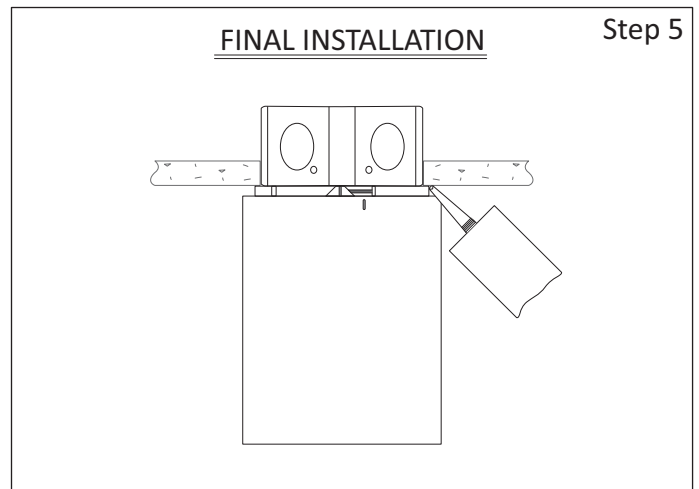
WARNING.- Before installing this luminaire or doing any maintenance, turn off the power supply at the circuit breaker or fuse box. Turning the power off using the light switch is not sufficient to prevent electrical shock.

NOTE:

To re-lamp, replacement parts or additional information, contact or visit manufacturer at www.lumux.com



Step 4 - Install Down Light Fixture:
 a.- Place Fixture to Mounting Plate, align the Mounting Marks to insert Taps into the grooves and turn Counterclockwise to secure Fixture.



Step 5 - Final Installation:
 a.- It is recommended to apply silicone around the Luminaire Mounting Plate and ceiling surface for a watertight seal for Outdoor Application.