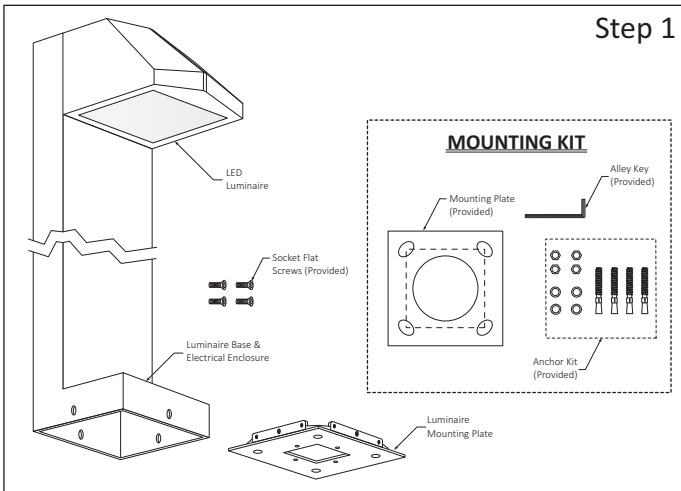


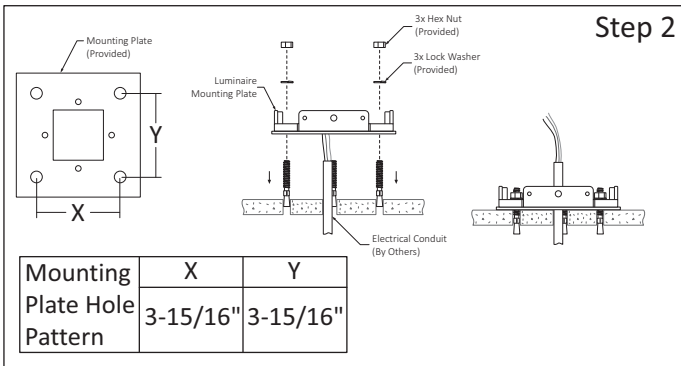
PREPARING THE LUMINAIRE

SURFACE LUMINAIRE: BL355 "LED BOLLARD"

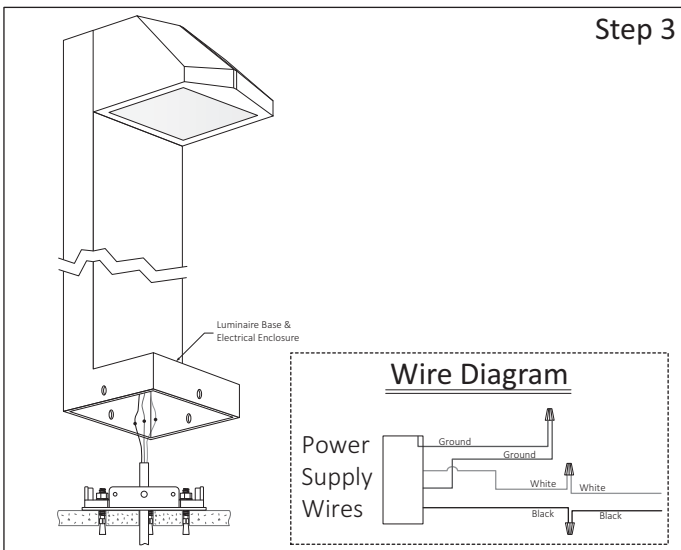
SAVE THIS INSTRUCTIONS



Step 1 - Disassemble Luminaire Parts for easy Installation:
 a.- Remove Luminaire Mounting Plate from Base.



Step 2 - Install Luminaire Mounting Plate:
 a.- Arrange Anchors Locations, Installer may use the Mounting Plate as a template to set the hole pattern, (check Chart for Anchor Setting).
 b.- Insert Luminaire Mounting Plate on the Anchorage and fasten using the Lock Washers and Hex Nuts Provided.

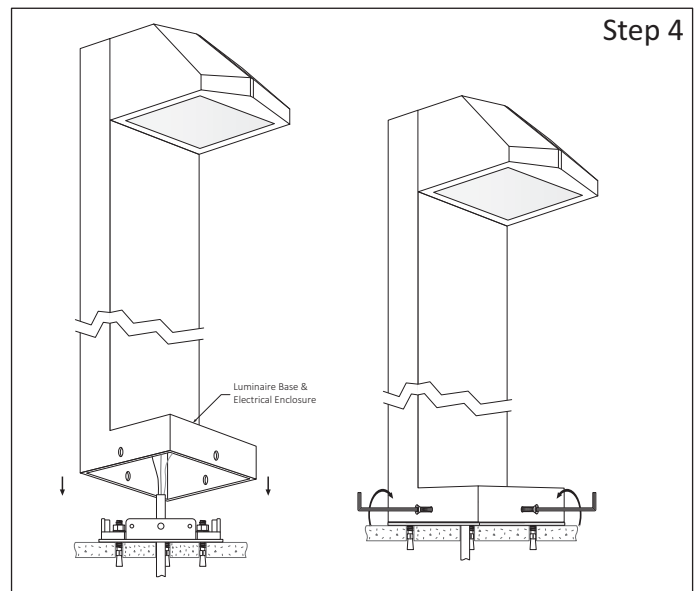


Step 3 - Make Wiring Connections:
 a.- Place Luminaire Base close to Mounting Plate, run wiring and make connections, see Wire Diagram.

READ AND UNDERSTAND ALL INSTRUCTIONS BEFORE INSTALLATION. IF YOU ARE NOT FAMILIAR WITH THE NATIONAL ELECTRICAL CODE (NEC), CONTACT A QUALIFIED ELECTRICIAN TO INSTALL THIS LUMINAIRE.

WARNING.- Before installing this luminaire or doing any maintenance, turn off the power supply at the circuit breaker or fuse box. Turning the power off using the light switch is not sufficient to prevent electrical shock.

NOTE:
 To re-lamp, replacement parts or additional information, contact or visit manufacturer at www.lumux.net



Step 4 - Install Luminaire LED Enclosure to Base:
 a.- Connect the Output Connectors (provided).
 b.- Place Luminaire Enclosure into the Base, align the Base Holes and fasten using the four Socket Flat Screws (provided).

