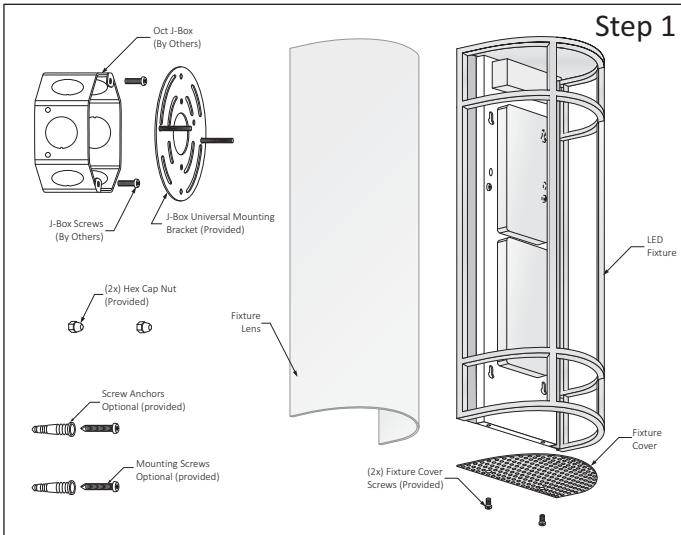


PREPARING THE LUMINAIRE

SURFACE WALL MOUNT LED LUMINAIRE: WS900

SAVE THIS INSTRUCTIONS



Step 1

READ AND UNDERSTAND ALL INSTRUCTIONS BEFORE INSTALLATION. IF YOU ARE NOT FAMILIAR WITH THE NATIONAL ELECTRICAL CODE (NEC), CONTACT A QUALIFIED ELECTRICIAN TO INSTALL THIS LUMINAIRE.

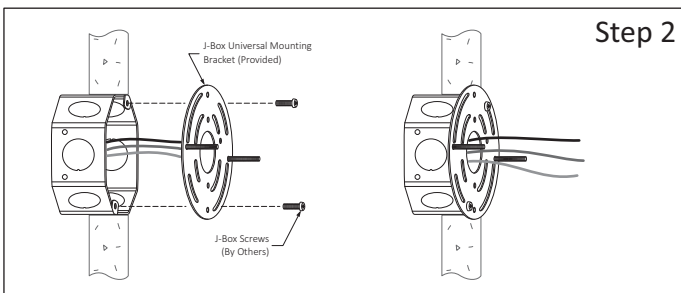
WARNING.- Before installing this luminaire or doing any maintenance, turn off the power supply at the circuit breaker or fuse box. Turning the power off using the light switch is not sufficient to prevent electrical shock.

NOTE:

To re-lamp, replacement parts or additional information, contact or visit manufacturer at www.lumux.com

Step 1 - Disassemble Luminaire Parts for easy Installation:

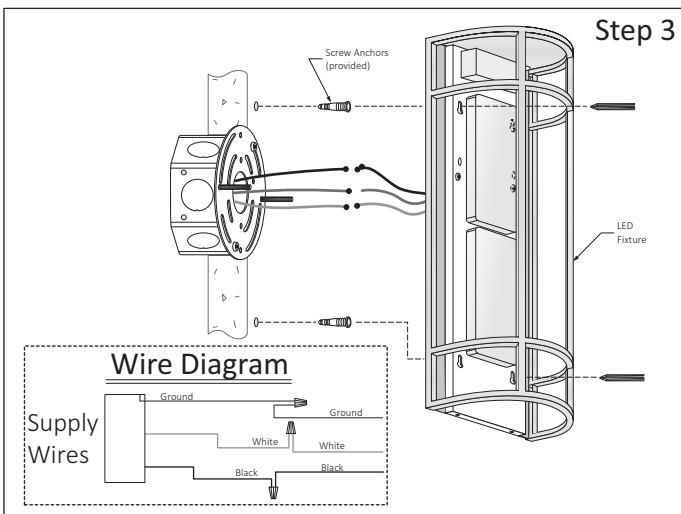
- a.- Remove the Cover and Lens from LED Fixture.
- b.- Remove the J-Box Mounting Bracket from LED Fixture.



Step 2

Step 2 - Install Mounting Bracket:

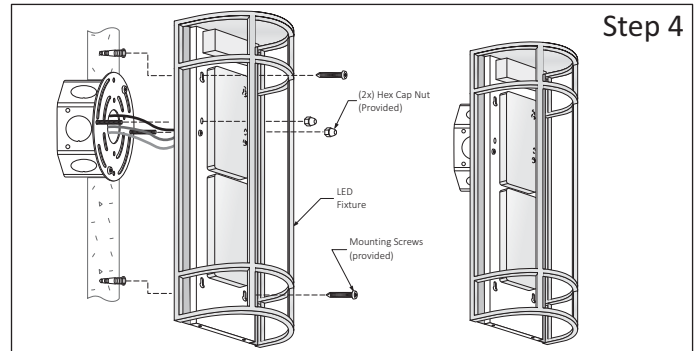
- a.- Run the Electrical Wires through Mounting Bracket Hole.
- b.- Place the Mounting Bracket (provided) onto the Electrical Box and secure it using the two J-Box Screws (By others).



Step 3

Step 3 - Make Wiring Connections:

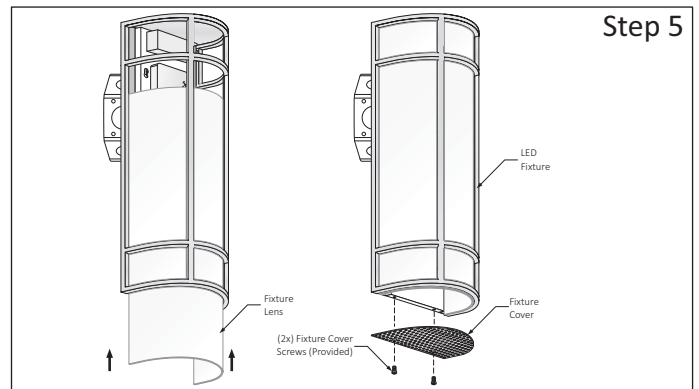
- a.- Place LED Fixture close to Mounting Surface, run the Electrical Wires through all the Parts and make hard-wire connections, see Wire Diagram.
- b.- Mark locations on surface, drill holes to install Anchors (provided).



Step 4

Step 4 - Install LED Fixture:

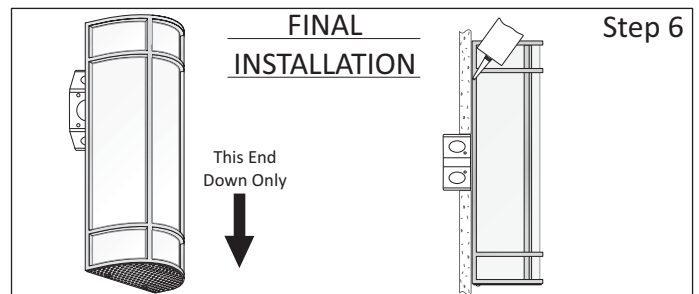
- a.- Push Wiring Connections into the J-Box and Place Fixture close to Mounting Bracket. Insert Mounting Screws through the Holes on Fixture Base and fasten using the two Hex Cap Nuts (provided).
- b.- Use Anchor Screws (provided) for a tighter to surface mounted.



Step 5

Step 5 - Replace Fixture Lens and Cover:

- a.- Insert Lens and push it all-away to the top of Fixture and place the cover using the two Screws (provided).



Step 6

Step 6 - Final Installation:

- a.- It is recommended to apply silicone around the Luminaire Base and wall surface for a watertight seal on Outdoor Application.