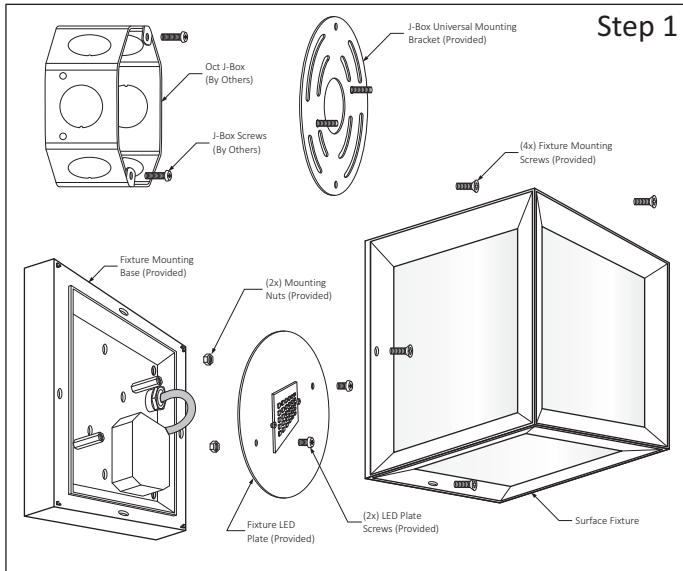


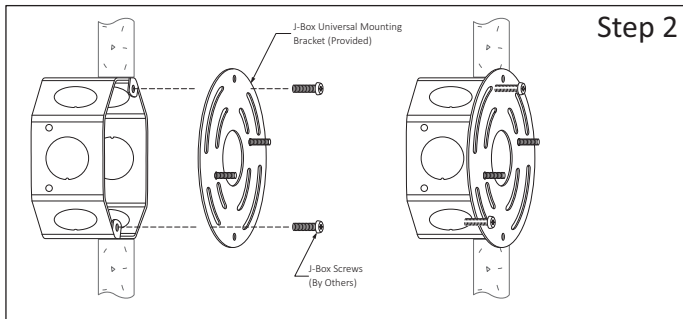
PREPARING THE LUMINAIRE

SURFACE WALL/CEILING MOUNT LUMINAIRE: WS-BL700

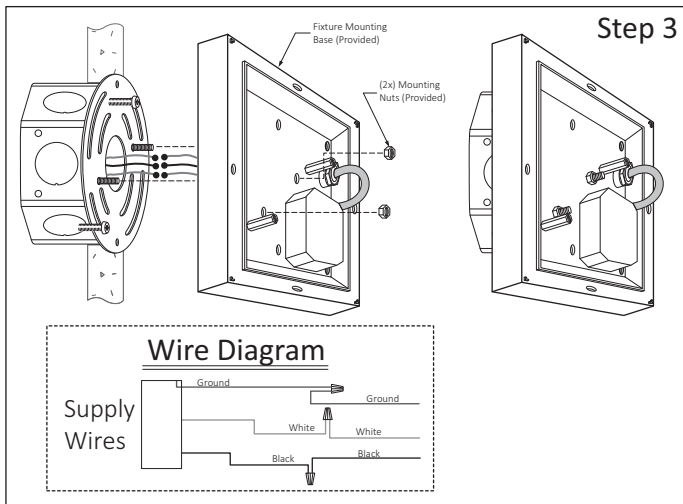
SAVE THIS INSTRUCTIONS



Step 1 - Disassemble Luminaire Parts for easy Installation:
a- Remove Fixture Mounting Plate and Bracket from Fixture.



Step 2 - Install Mounting Bracket:
a- Place the Universal Bracket onto the Electrical Box and secure it using two J-Box Screws (By others).



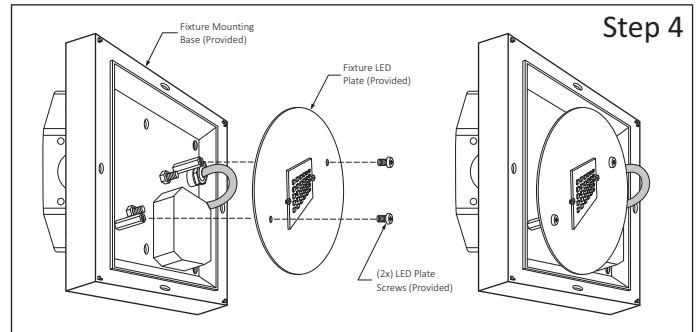
Step 3 - Install Fixture Mounting Base:
a- Run Input wires through center hole of Mounting Bracket. and make hard-wire connections, see Wire Diagram.
b- Insert the two 8-32 Screws (provided) through the Holes and use the Nuts (provided) to secure the Base on Mounting Surface.

READ AND UNDERSTAND ALL INSTRUCTIONS BEFORE INSTALLATION. IF YOU ARE NOT FAMILIAR WITH THE NATIONAL ELECTRICAL CODE (NEC), CONTACT A QUALIFIED ELECTRICIAN TO INSTALL THIS LUMINAIRE.

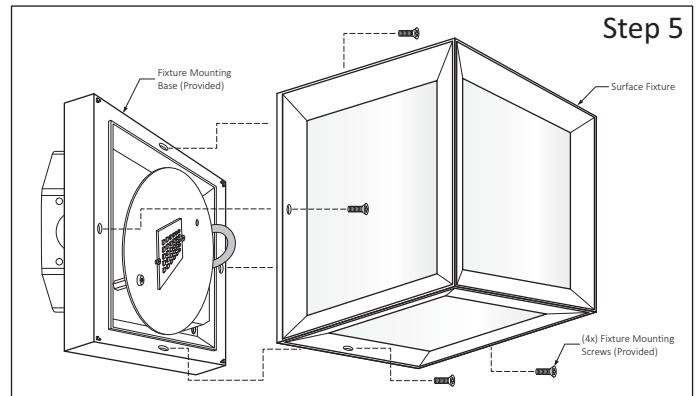
WARNING.- Before installing this luminaire or doing any maintenance, turn off the power supply at the circuit breaker or fuse box. Turning the power off using the light switch is not sufficient to prevent electrical shock.

NOTE:

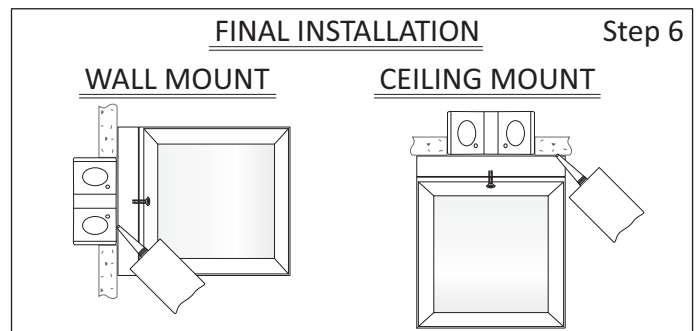
To re-lamp, replacement parts or additional information, contact or visit manufacturer at www.lumux.com



Step 4 - Replace Fixture LED Plate:
a- Place LED Plate on Fixture Base Spacers, align the holes and fasten using the two Plate Screws (provided)



Step 5 - Install Surface Fixture:
a- Place Fixture on Base and align the holes and fasten using the four Mounting Screws (provided).



Step 6 - Final Installation:
a- It is recommended to apply silicone around the Luminaire Base and wall surface for a watertight seal for Outdoor Application.