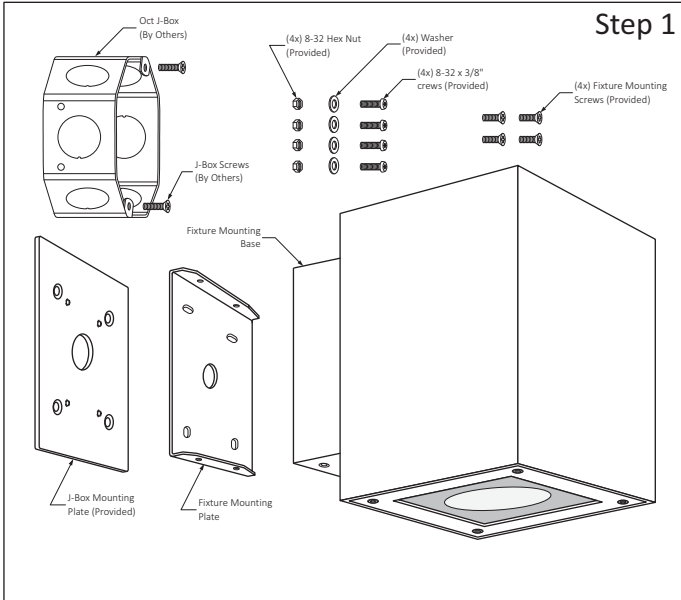


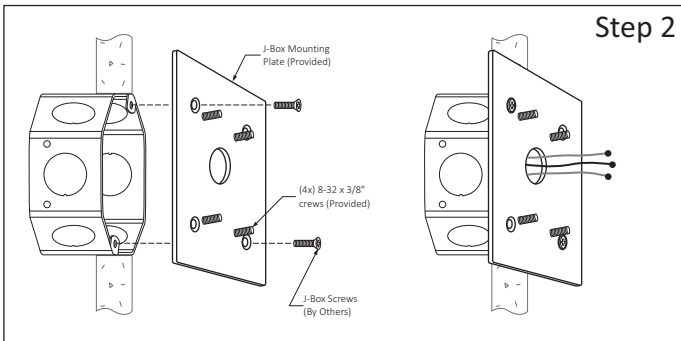
**PREPARING THE LUMINAIRE**

**SURFACE WALL MOUNT LUMINAIRE: UD700**

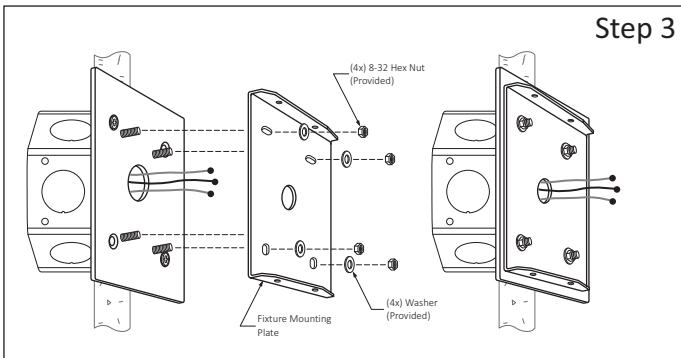
**SAVE THIS INSTRUCTIONS**



**Step 1 - Disassemble Luminaire Parts for easy Installation:**  
 a.- Remove Mounting Plates from Fixture.



**Step 2 - Install Mounting Plate:**  
 a.- Place the Mounting Plate (provided) onto the Electrical Box and secure it using two J-Box Screws (By others).

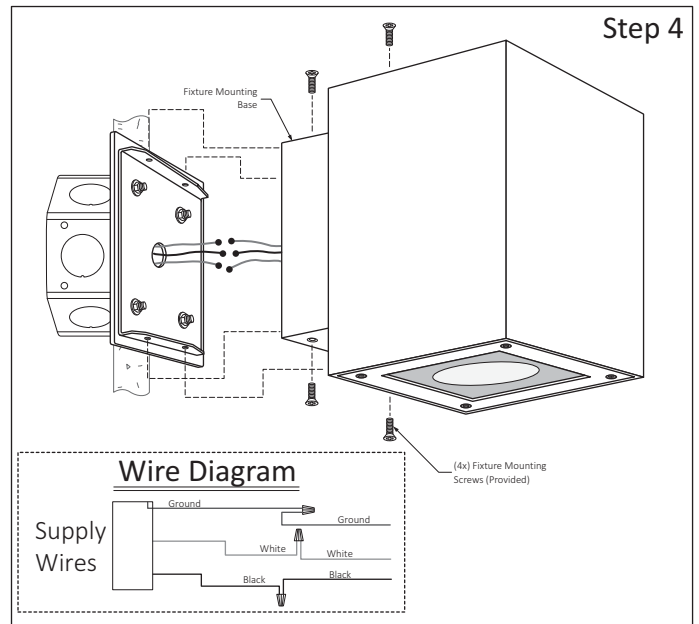


**Step 3 - Install Fixture Mounting Plate:**  
 a.- Run the Electrical Wires through the center hole of Mounting Plate.  
 b.- Place Fixture Mounting Plate by inserting the screws and fasten using the four Washers and Hex Nuts.

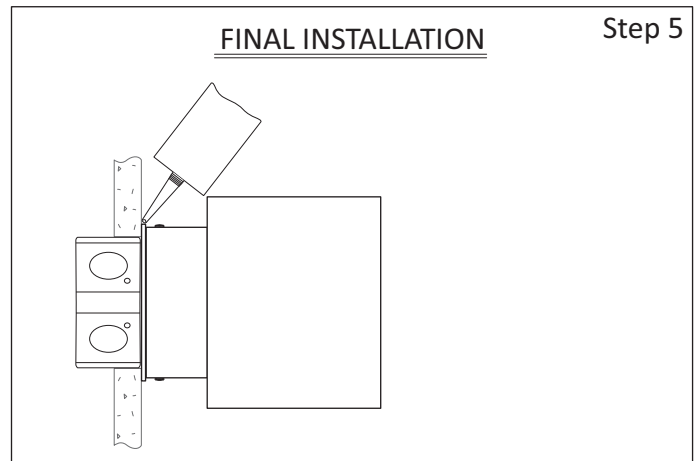
READ AND UNDERSTAND ALL INSTRUCTIONS BEFORE INSTALLATION. IF YOU ARE NOT FAMILIAR WITH THE NATIONAL ELECTRICAL CODE (NEC), CONTACT A QUALIFIED ELECTRICIAN TO INSTALL THIS LUMINAIRE.

**WARNING.-** Before installing this luminaire or doing any maintenance, turn off the power supply at the circuit breaker or fuse box. Turning the power off using the light switch is not sufficient to prevent electrical shock.

**NOTE:**  
 To re-lamp, replacement parts or additional information, contact or visit manufacturer at [www.lumux.com](http://www.lumux.com)



**Step 4 - Make Wiring Connections and Install Fixture:**  
 a.- Run the Electrical Wires through all the Parts and make hard-wire connections, see Wire Diagram.  
 b.- Place Fixture Base and align the holes with Mounting Plate and fasten using the four Mounting Screws (provided).



**Step 5 - Final Installation:**  
 a.- It is recommended to apply silicone around the Luminaire Base and wall surface for a watertight seal for Outdoor Application.