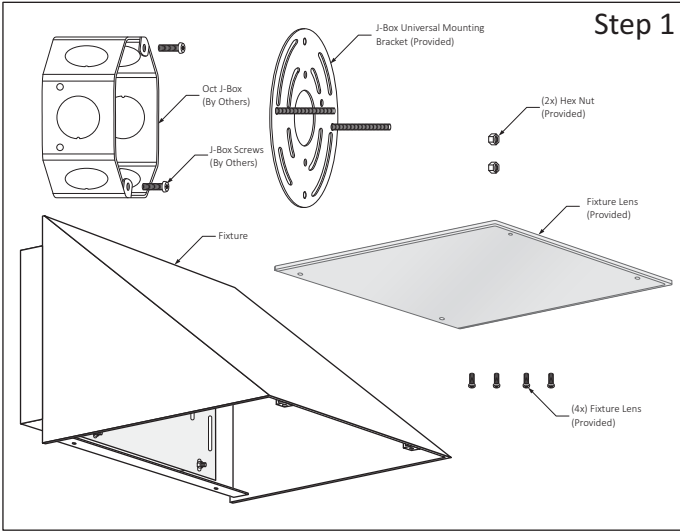


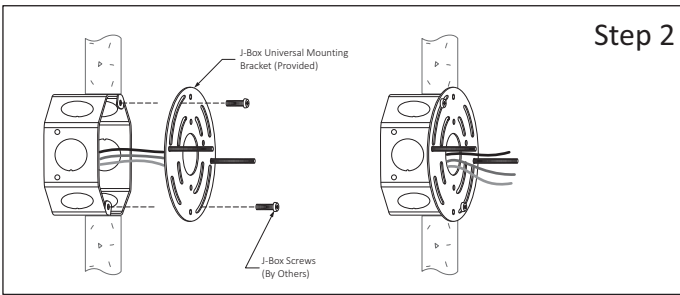
PREPARING THE LUMINAIRE

SURFACE WALL MOUNT LED LUMINAIRE: UD600

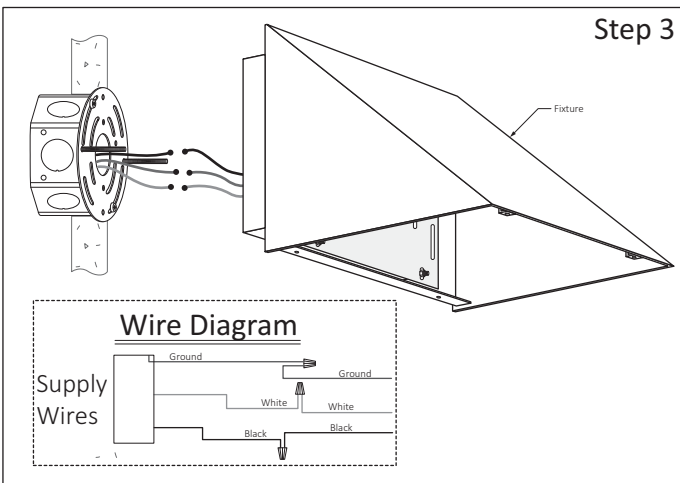
SAVE THIS INSTRUCTIONS



Step 1 - Disassemble Luminaire Parts for easy Installation:
 a.- Remove and disconnect LED Fixture from Mounting Base.



Step 2 - Install Mounting Bracket:
 a.- Run the Electrical Wires through Mounting Bracket Hole.
 b.- Place the Mounting Bracket onto the Electrical Box and secure it using the two J-Box Screws (By others).

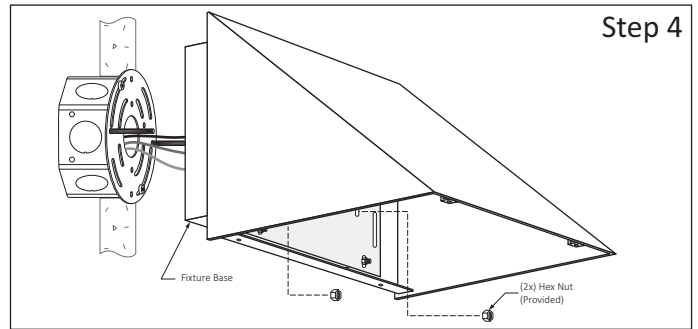


Step 3 - Make Wiring Connections:
 a.- Place LED Fixture close to Mounting Surface, run the Electrical Wires through all the Parts and make hard-wire connections, see Wire Diagram.

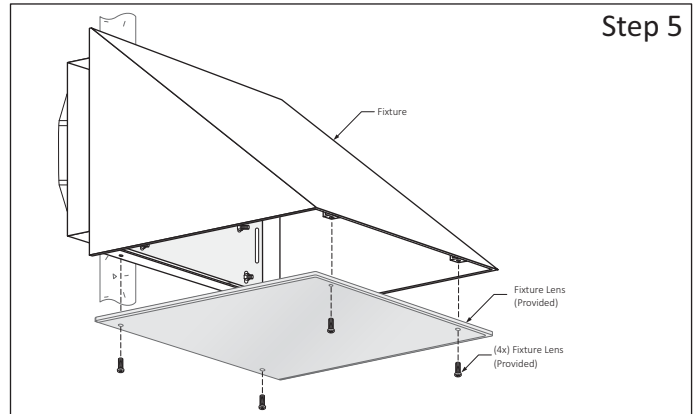
READ AND UNDERSTAND ALL INSTRUCTIONS BEFORE INSTALLATION. IF YOU ARE NOT FAMILIAR WITH THE NATIONAL ELECTRICAL CODE (NEC), CONTACT A QUALIFIED ELECTRICIAN TO INSTALL THIS LUMINAIRE.

WARNING.- Before installing this luminaire or doing any maintenance, turn off the power supply at the circuit breaker or fuse box. Turning the power off using the light switch is not sufficient to prevent electrical shock.

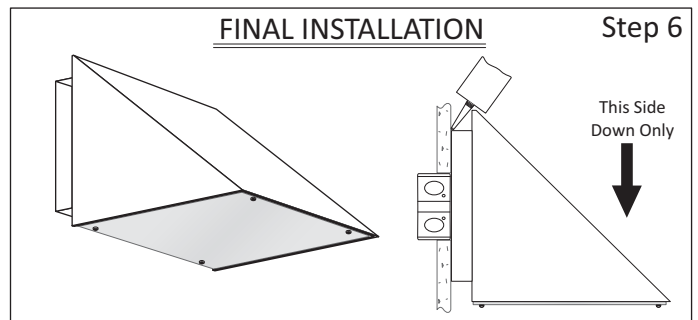
NOTE:
 To re-lamp, replacement parts or additional information, contact or visit manufacturer at www.lumux.com



Step 4 - Install LED Fixture:
 a.- Place Fixture close to Mounting Bracket and insert the two Screws through the Fixture Base and fasten using the Hex Nuts (provided).



Step 5 - Install Fixture Lens:
 a.- Place the Lens on Fixture Opening, align holes and fasten using the four Mounting Screws (provided).



Step 6 - Final Installation:
 a.- It is recommended to apply silicone around the Luminaire Base and wall surface for a watertight seal for Outdoor Application.