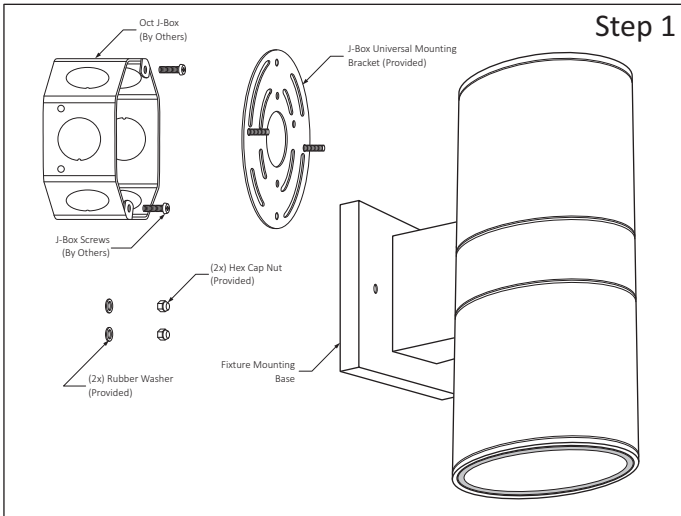


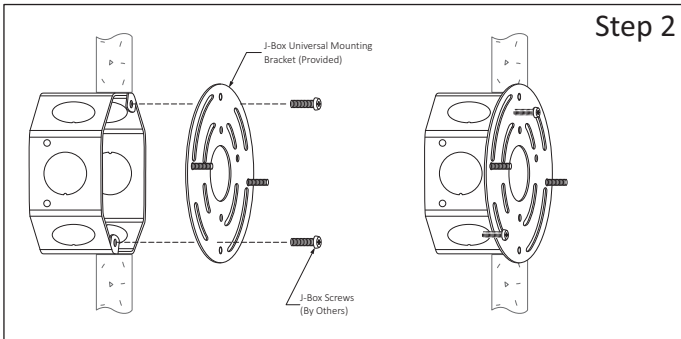
PREPARING THE LUMINAIRE

SURFACE WALL MOUNT LUMINAIRE: UD420 SERIES

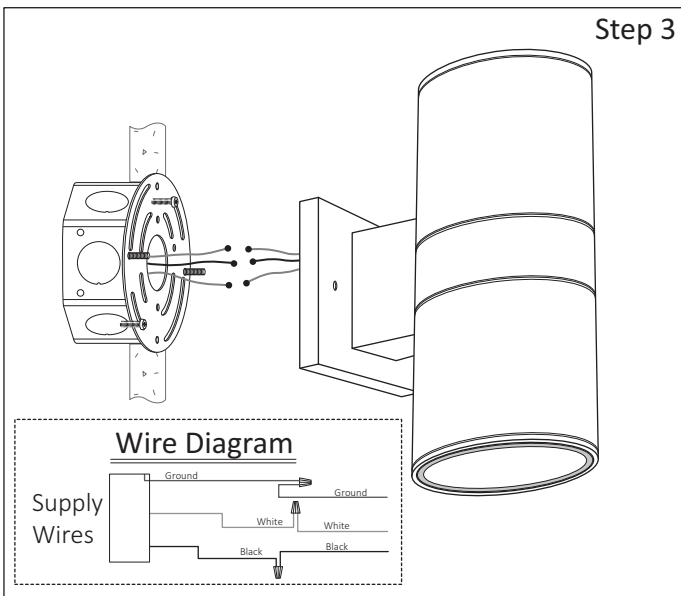
SAVE THIS INSTRUCTIONS



Step 1 - Disassemble Luminaire Parts for easy Installation:
a.- Remove Universal Mounting Bracket from Fixture Base.



Step 2 - Install Mounting Bracket:
a.- Place the Universal Bracket onto the Electrical Box and secure it using two J-Box Screws (By others).



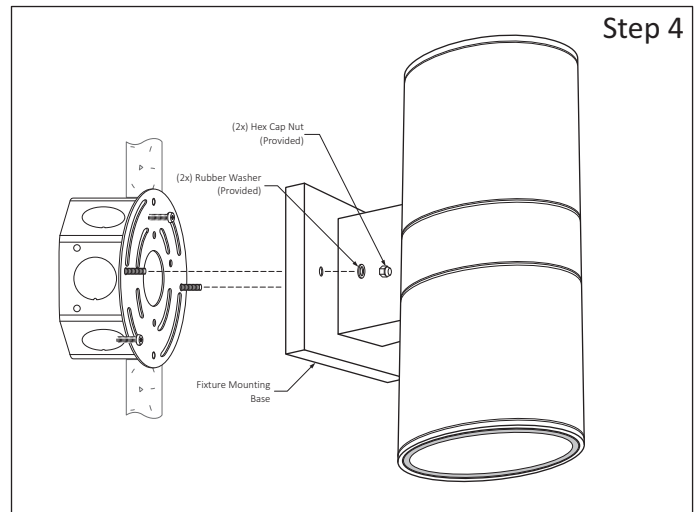
Step 3 - Make Wiring Connections:
a.- Run the Electrical Wires through all the Parts and make hard-wire connections, see Wire Diagram.

READ AND UNDERSTAND ALL INSTRUCTIONS BEFORE INSTALLATION. IF YOU ARE NOT FAMILIAR WITH THE NATIONAL ELECTRICAL CODE (NEC), CONTACT A QUALIFIED ELECTRICIAN TO INSTALL THIS LUMINAIRE.

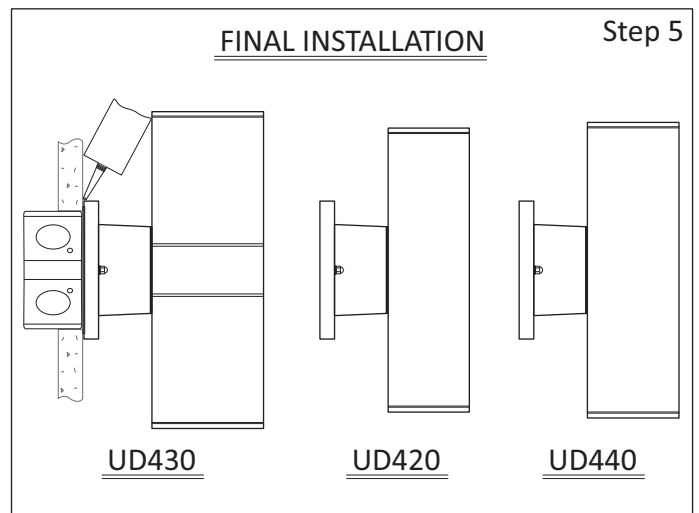
WARNING.- Before installing this luminaire or doing any maintenance, turn off the power supply at the circuit breaker or fuse box. Turning the power off using the light switch is not sufficient to prevent electrical shock.

NOTE:

To re-lamp, replacement parts or additional information, contact or visit manufacturer at www.lumux.com



Step 4 - Install Fixture:
a.- Place Fixture Base, insert the Screws through the Base holes and fasten using the two Rubber Washer and Hex Nut (provided).



Step 5 - Final Installation:
a.- It is recommended to apply silicone around the Luminaire Base and wall surface for a watertight seal for Outdoor Application.