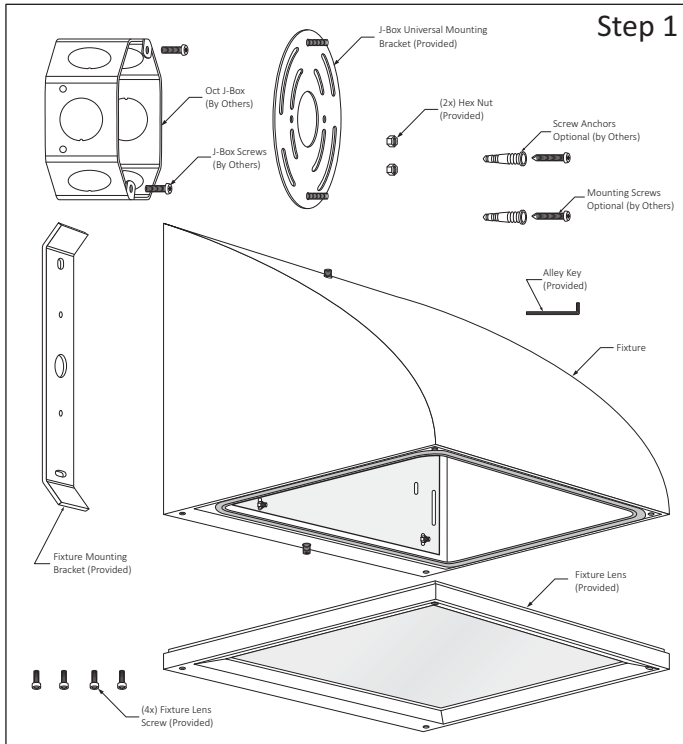


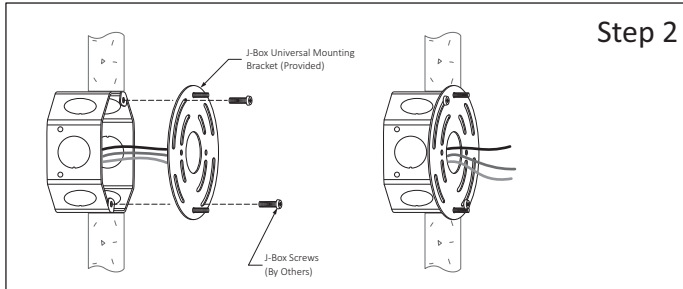
PREPARING THE LUMINAIRE

SURFACE WALL MOUNT LED LUMINAIRE: UD200

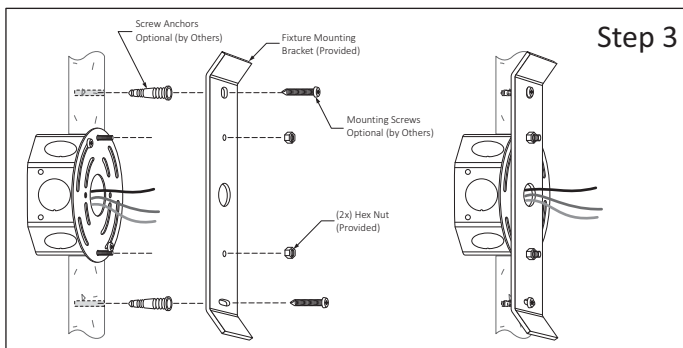
SAVE THIS INSTRUCTIONS



Step 1 - Disassemble Luminaire Parts for easy Installation:
a.- Remove Lens and Mounting Bracket from Fixture.



Step 2 - Install Mounting Bracket:
a.- Run the Electrical Wires through Mounting Bracket Hole.
b.- Place the Mounting Bracket onto the Electrical Box and secure it using the two J-Box Screws (By others).



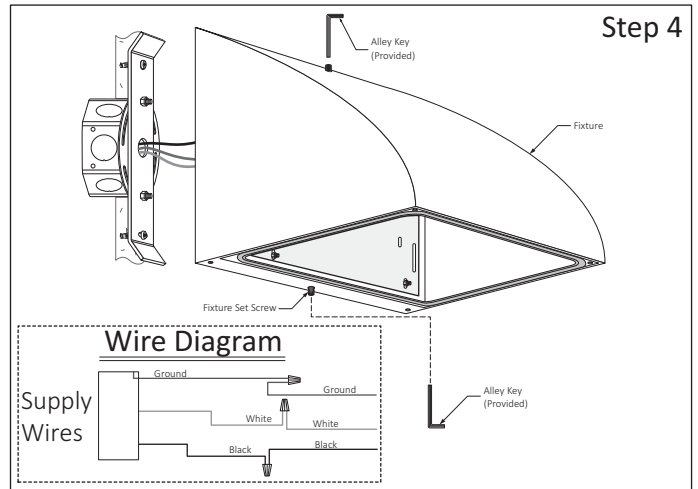
Step 3 - Install Mounting Bracket:
a.- Place Mounting Bracket allowing the Screw pass through the holes mark locations for Anchors on wall and drill holes to insert them.
b.- Install the Mounting Bracket onto the Electrical Box and secure it using the two Hex Nuts (provided).

READ AND UNDERSTAND ALL INSTRUCTIONS BEFORE INSTALLATION. IF YOU ARE NOT FAMILIAR WITH THE NATIONAL ELECTRICAL CODE (NEC), CONTACT A QUALIFIED ELECTRICIAN TO INSTALL THIS LUMINAIRE.

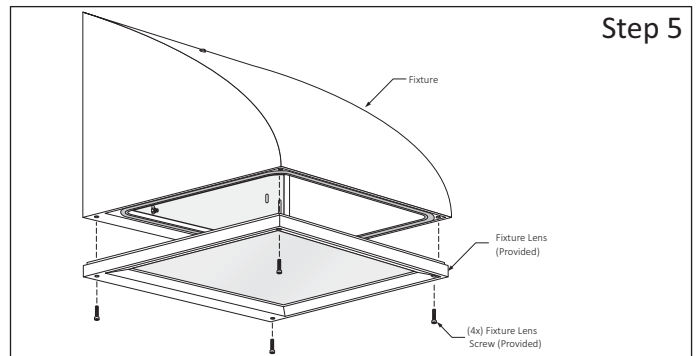
WARNING.- Before installing this luminaire or doing any maintenance, turn off the power supply at the circuit breaker or fuse box. Turning the power off using the light switch is not sufficient to prevent electrical shock.

NOTE:

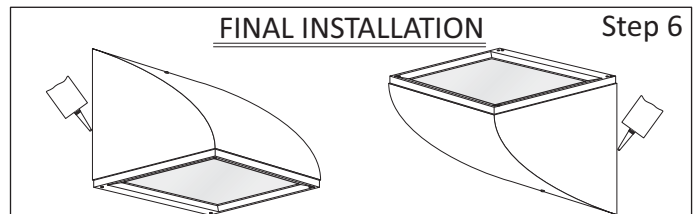
To re-lamp, replacement parts or additional information, contact or visit manufacturer at www.lumux.com



Step 4 - Make Wiring Connections & Install LED Fixture:
a.- Place LED Fixture close to Mounting Surface, run the Electrical Wires through all the Parts and make hard-wire connections, see Wire Diagram.
b.- Place Fixture allowing the Mounting Bracket being insert to the grooves on the back base and fasten using the Set Screws (provided).



Step 5 - Install Fixture Lens:
a.- Place the Lens on Fixture Opening, align holes and fasten using the four Mounting Screws (provided).



Step 6 - Final Installation:
a.- It is recommended to apply silicone around the Luminaire Base and wall surface for a watertight seal for Outdoor Application.