

LUMUX INC.

INSTALLATION OPERATION INSTRUCTIONS

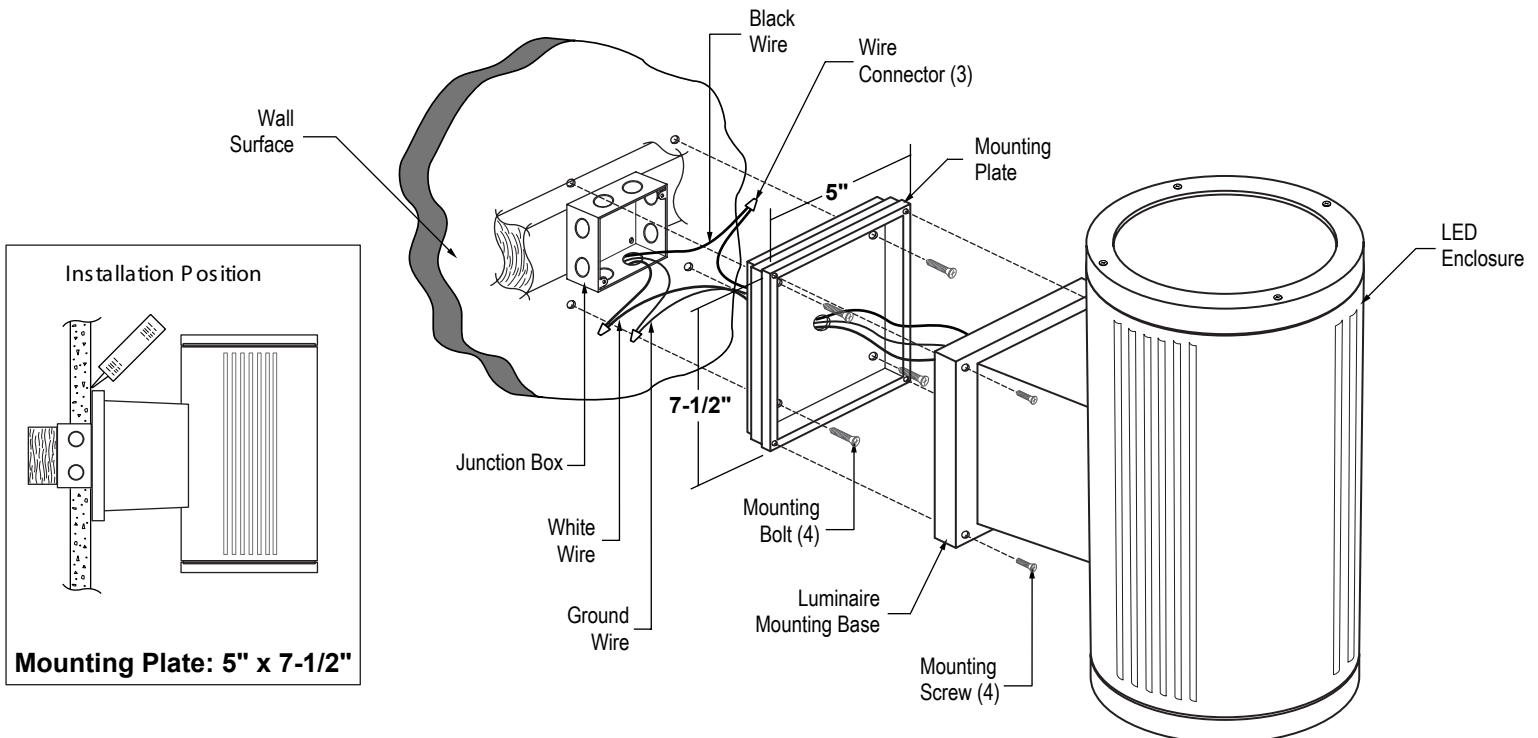
PREPARING THE LUMINAIRE

- WARNING** - Before starting the installation, disconnect the power by turning off the circuit breaker or removing the fuse at the fuse box. Turning the power off using the light switch is not sufficient to prevent electrical shock.
- If you are replacing an existing Luminaire, disconnect and remove the old Luminaire. Expose the supply wiring from the Outlet-Box.
- Make electrical connections: Connect grounding wire (green or bare copper) from the supply circuit to the green wire(s) from the luminaire. Connect the white wire(s) from the luminaire to the white wire of the supply circuit. Connect the black wire(s) from the luminaire to the black wire of the supply circuit. Use U.L. Listed wire connectors (by others). Secure wire connectors with U.L. Listed electrical tape (by others).
- Fasten the Mounting Plate (provided) to the wall surface using the four Mounting Bolts, (by others) as shown in figure below.
- Place the Luminaire Mounting Base against the Mounting Plate and secure it with the four Mounting Screws (provided), as shown in figure below.
- Install the light bulb (by others), Do Not Exceed Recommended Wattage.
- Install Luminaire Face Plate with the four Flat Head Mounting Screws (provided) as show in figure below.

IMPORTANT: In order to comply with established electrical code, the installer must seal the area around the Luminaire Base and the Wall, with type of caulking compound such as GE 100% or Dow Corning 100% silicone to provide a watertight seal in accordance with the differing surface textures of the wall.

NOTE:

To re-lamp, replacement parts or additional information, contact or visit manufacturer at www.lumux.net



SURFACE WALL MOUNT CAT. UD110

- WALL DIRECTIONAL LED LUMINAIRE -