

LUMUX INC.

IMPORTANT SAFETY INSTRUCTIONS INSTALLATION

PREPARING THE LUMINAIRE

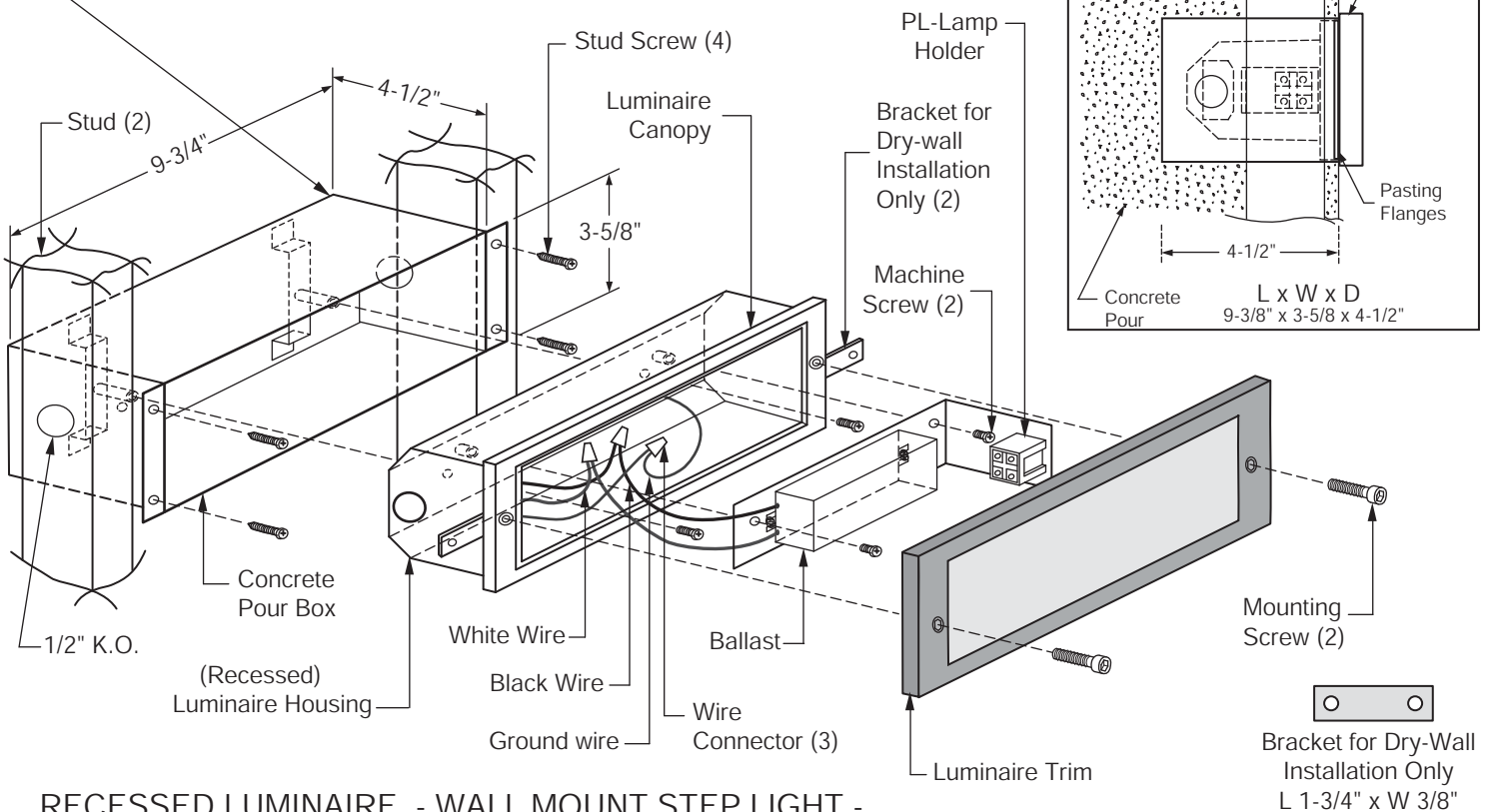
SAVE THESE INSTRUCTIONS

- WARNING** - Before starting the installation, disconnect the power by turning off the circuit breaker or removing the fuse at the fuse box. Turning the power off using the light switch is not sufficient to prevent electrical shock.
- Run the supply electrical wires through the Flex Conduit or Pipe (by others).
- Place the Concrete Pour Box against the studs and secure with four Stud Screws (by others).
- Install the Recessed Luminaire Housing into the Pour Concrete Box as shown in figure below.
- Make electrical connections: Connect grounding wire (green or bare copper) from the supply circuit to the green or bare copper wire from the Luminaire. Connect the white wire from the Luminaire to the white wire of the supply circuit. Connect the black wire from the Luminaire to the black wire of the supply circuit. Use U.L. Listed wire connectors (by others). Secure wire connectors with U.L. Listed electrical tape (by others).
- Replace the Ballast Bracket by using two Machine Screws (provided) as shown in figure below.
- Install the lamp (by others) **Do Not Exceed Recommended Wattage.**
- Install Luminaire Trim with the two Mounting Screws (provided) as shown in figure below.

IMPORTANT: In order to comply with established electrical code, the installer must seal the area around the Fixture Trim and the Wall, with type of caulking compound such as GE 100% or Dow Corning 100% silicone to provide a watertight seal in accordance with the differing surface textures of the wall.

NOTE: Install Pour Concrete Box Flanges Flush to the Wall.

This box has to get framed in before concrete pour. Otherwise, the weight of the concrete will crush this box.



RECESSED LUMINAIRE - WALL MOUNT STEP LIGHT -