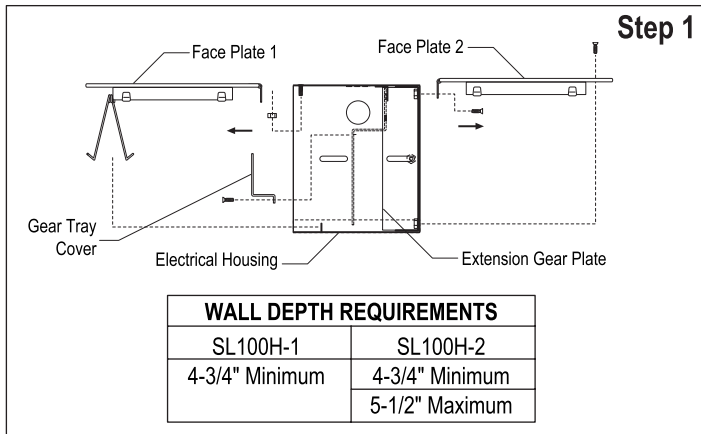


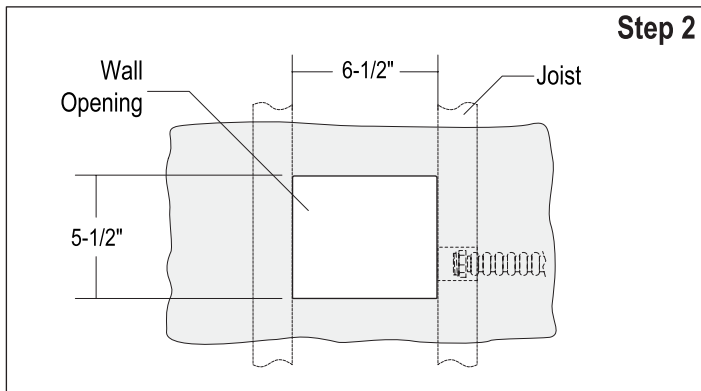
**PREPARING THE LUMINAIRE**

RECESSED WALL MOUNT LUMINAIRE: SL100H-1 & SL100H-2

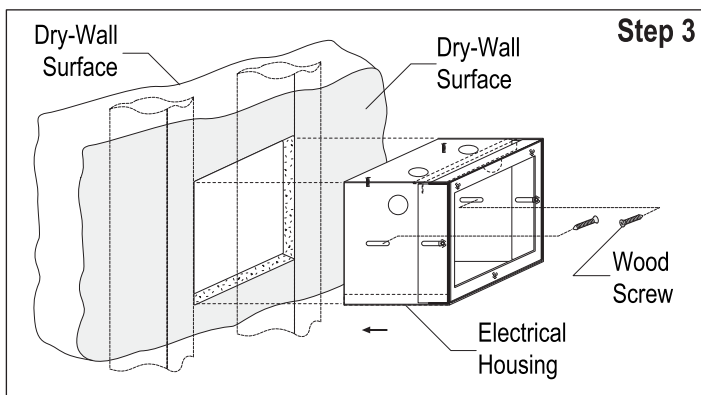
SAVE THIS INSTRUCTIONS



- Step 1 - Remove Luminaire Parts for easy Installation:**
- a.- Remove Face Plate 1 or both Plates.
  - b.- Remove Gear Tray Cover for power supply connections.



- Step 2 - Prepare Wall Opening and Joists:**
- a.- Select desired location to install Electrical Housing and make sure to install joists and cut out Dry-Wall as described above.

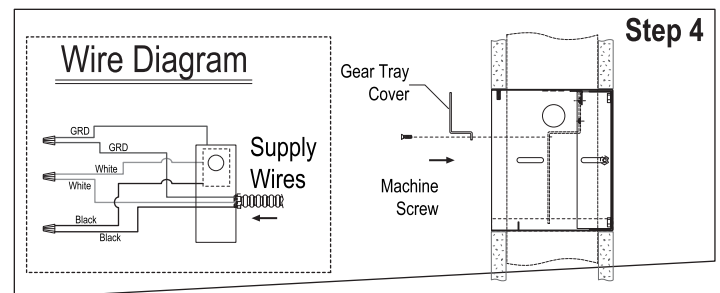


- Step 3 - Install Electrical Housing:**
- a.- Insert Electrical Housing in Wall Opening and secure it to joists using Wood Screws (by others).
  - b.- Both sides of Housing must be flush to Dry-Wall Surface, adjust the Extension Gear Plate to make Housing flush to both Wall Surface.

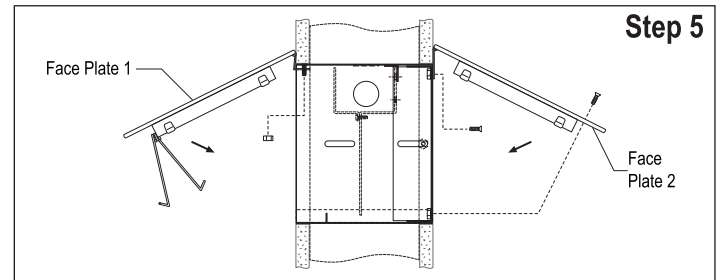
**READ AND UNDERSTAND ALL INSTRUCTIONS BEFORE INSTALLATION. IF YOU ARE NOT FAMILIAR WITH THE NATIONAL ELECTRICAL CODE (NEC), CONTACT A QUALIFIED ELECTRICIAN TO INSTALL THIS LUMINAIRE.**

**WARNING.-** Before installing this luminaire or doing any maintenance, turn off the power supply at the circuit breaker or fuse box. Turning the power off using the light switch is not sufficient to prevent electrical shock.

**NOTE:** For re-lamping, replacement parts and additional information, contact or visit manufacturer at [www.lumux.net](http://www.lumux.net)



- Step 4 - Power Feed Luminaire:**
- a.- Insert Power Supply Conduit to Electrical Housing and make electrical connection.
  - b.- Replace Gear Tray Cover using the Machine Screw.



- Step 5 - Replace Face Plates:**
- a.- Insert Power Supply Conduit to Electrical Housing and make electrical connection.
  - b.- Replace Gear Tray Cover using the Machine Screw.

