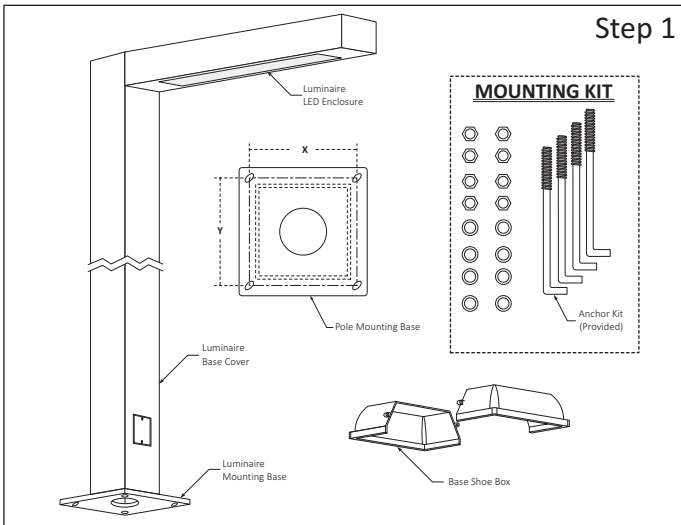


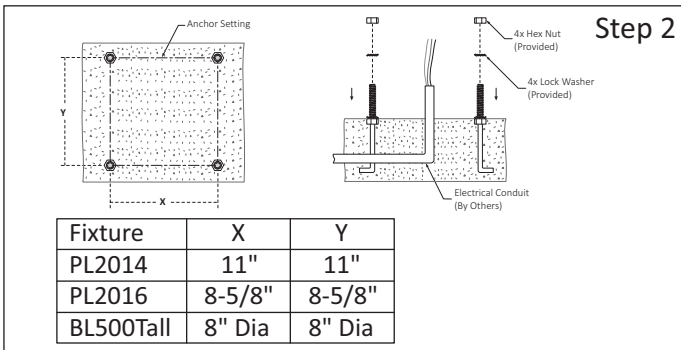
**PREPARING THE LUMINAIRE**

POST LINEAR LUMINAIRE: PL2014 / PL2016 / BL500-Tall "LED"

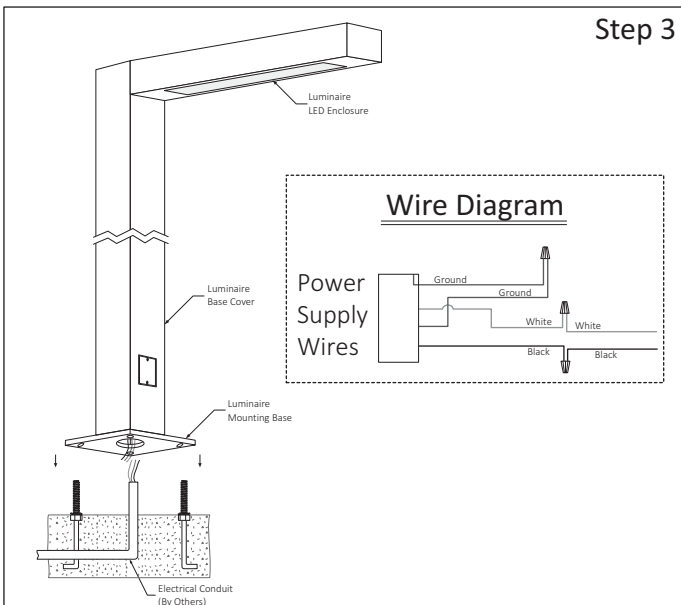
**SAVE THIS INSTRUCTIONS**



**Step 1 - Disassemble Luminaire Parts for easy Installation:**  
a.- Get Familiar with all Mounting Parts before setting the Installation.



**Step 2 - Install Anchor Setting:**  
a.- Arrange Anchors Locations, Installer may use a template to set the hole pattern (check Chart for Anchor Setting).  
b.- Insert the first set of the Hex Nuts and Lock Washers Provided.

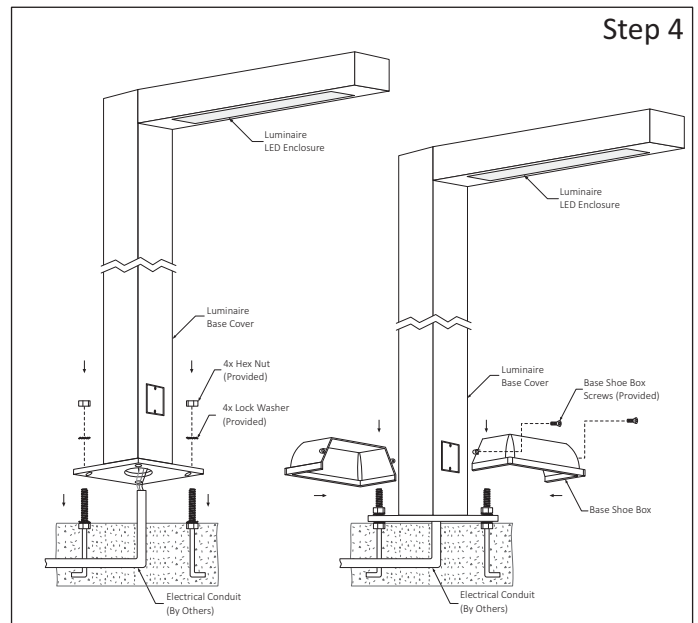


**Step 3 - Make Wiring Connections:**  
a.- Place Luminaire Base close to the Mounting Surface and make hard-wire connections, see Wire Diagram.

READ AND UNDERSTAND ALL INSTRUCTIONS BEFORE INSTALLATION. IF YOU ARE NOT FAMILIAR WITH THE NATIONAL ELECTRICAL CODE (NEC), CONTACT A QUALIFIED ELECTRICIAN TO INSTALL THIS LUMINAIRE.

**WARNING.-** Before installing this luminaire or doing any maintenance, turn off the power supply at the circuit breaker or fuse box. Turning the power off using the light switch is not sufficient to prevent electrical shock.

**NOTE:**  
To re-lamp, replacement parts or additional information, contact or visit manufacturer at [www.lumux.net](http://www.lumux.net)



**Step 4 - Install Luminaire Mounting Base and Cover:**  
a.- Place Luminaire Mounting Base, align the four Anchors through the holes and fasten using the four Hex Nuts Lock Washers (provided).  
b.- Install the Base Shoe Box using the two Screws (provided).

