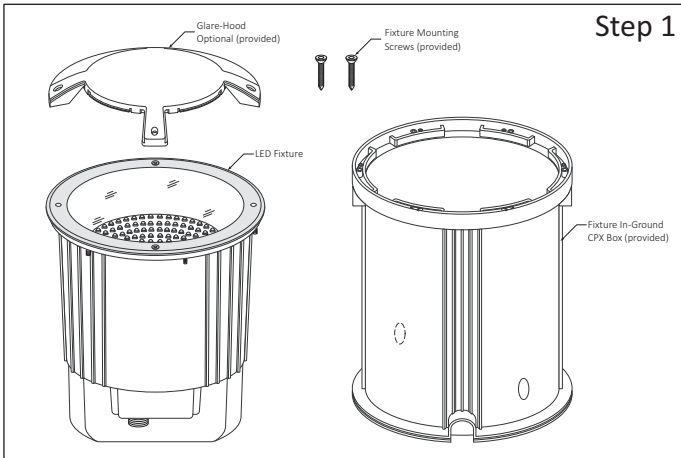


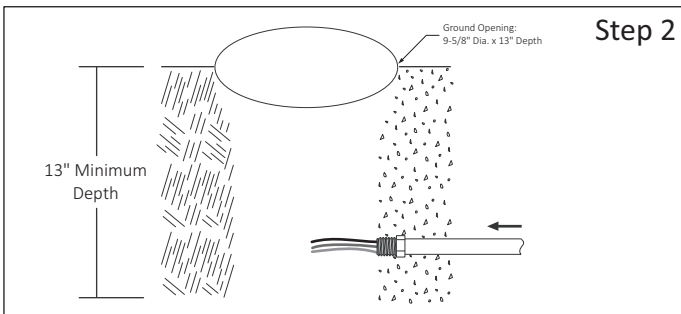
PREPARING THE LUMINAIRE

RECESSED IN-GROUND LED LUMINAIRE: PL200

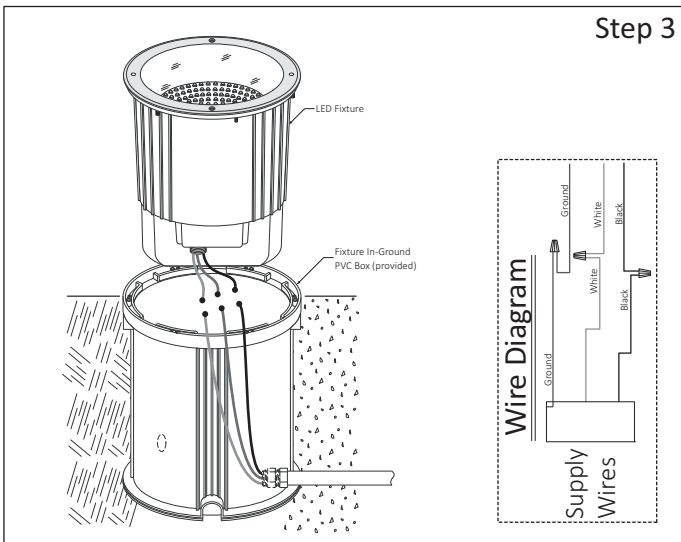
SAVE THIS INSTRUCTIONS



Step 1 - Remove Luminaire Parts for easy Installation:
 a.- Remove the LED Fixture from CPX Box and two Mounting Screws.
NOTE: Do Not open the LED Fixture for Installation!!!



Step 2 - Prepare In-Ground Opening for CPX Box:
 a.- Run the Electrical Conduit through Fixture Hole location.
 b.- See Specification for In-Ground or Pour Concrete Installation.



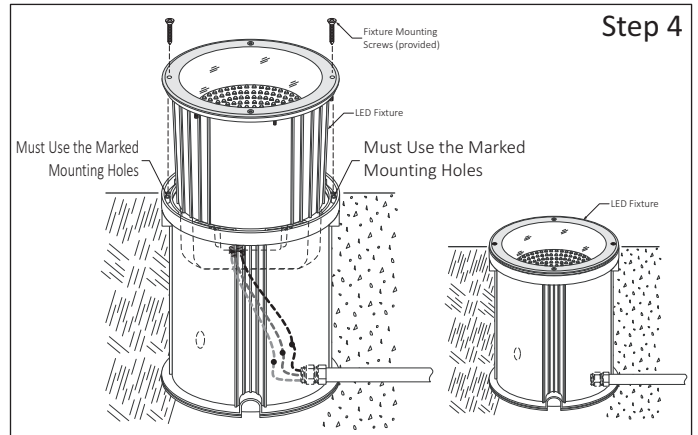
Step 3 - Install In-Ground Box & Make Wiring Connections:
 a.- Install a Waterproof Conduit Fitting (By others) in CPX Box Hole and connect Electrical Pipe.
 b. Run Power Wires through the CPX Box, place LED Fixture and make hard-wire connections, see Wire Diagram..
NOTE: Both In-Ground CPX Box Holes must be seal for Waterproof (By others).

READ AND UNDERSTAND ALL INSTRUCTIONS BEFORE INSTALLATION. IF YOU ARE NOT FAMILIAR WITH THE NATIONAL ELECTRICAL CODE (NEC), CONTACT A QUALIFIED ELECTRICIAN TO INSTALL THIS LUMINAIRE.

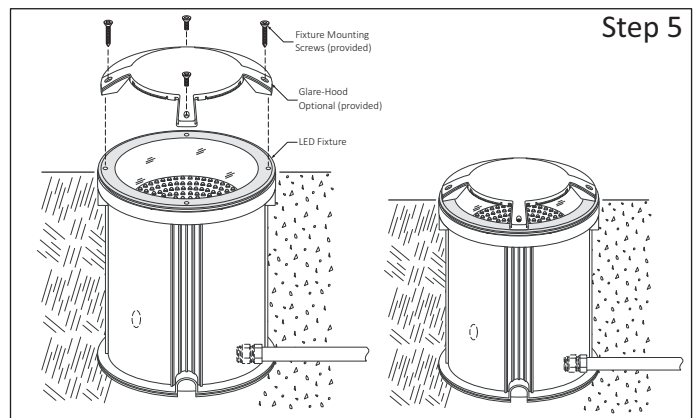
WARNING.- Before installing this luminaire or doing any maintenance, turn off the power supply at the circuit breaker or fuse box. Turning the power off using the light switch is not sufficient to prevent electrical shock.

NOTE:

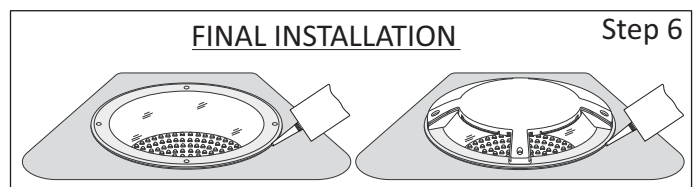
To re-lamp, replacement parts or additional information, contact or visit manufacturer at www.lumux.com



Step 4 - Install LED Fixture:
 a.- Insert LED Fixture into the In-Ground Box, Make Sure to align the two Face Plate Holes with Marked Holes, as shown in illustration.
 b.- Use the two Screws (provided) to install LED Fixture to In-Ground Box.



Step 5 - Install Glare-Hood:
 a.- Remove the Machine Screw from top of Fixture Plate and place the Glare-Hood using the four Mounting Screws (provided).



Step 6 - Final Installation:
 a.- It is recommended to apply silicone around the Fixture Face Plate and In-Ground Lid "Floor" for a watertight seal on Outdoor Application.