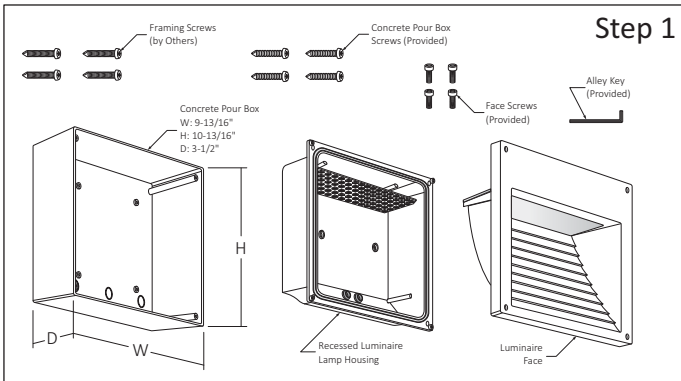


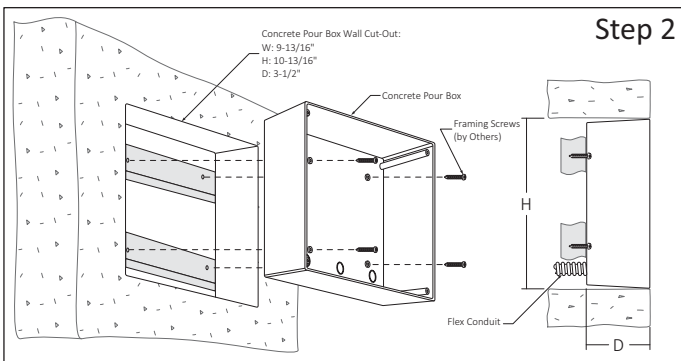
PREPARING THE LUMINAIRE

RECESSED WALL MOUNT LUMINAIRE LLF800-2

SAVE THIS INSTRUCTIONS

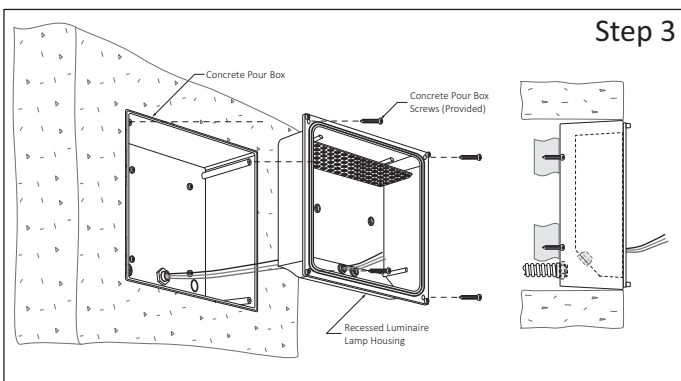


Step 1 - Disassemble Luminaire Parts for easy Installation:
 a.- Remove Luminaire Face and Lamp Housing from C Pour Box (CPX).



Step 2 - Install Concrete Pour Box:
 a.- Place CPX on desired Location to be Installed with Framing using proper Mounting Screws (by others) as required for Building Material.
 b.- Install Power Flex Conduit to CPX Knock-Outs.

NOTE: This box has to get framed in before concrete pour. Otherwise, the weight of the concrete will crush this box.

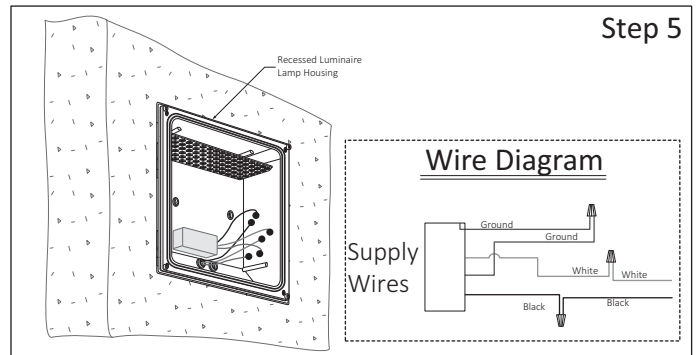


Step 3 - Install Recessed Luminaire Lamp Enclosure:
 a.- Run the Electrical Conduits (by Others) to the Luminaire Housing as needed for Through Wiring System.
 b.- Insert the Lamp Housing into the Concrete Pour Box, align the four holes and fasten using the Screws (provided).

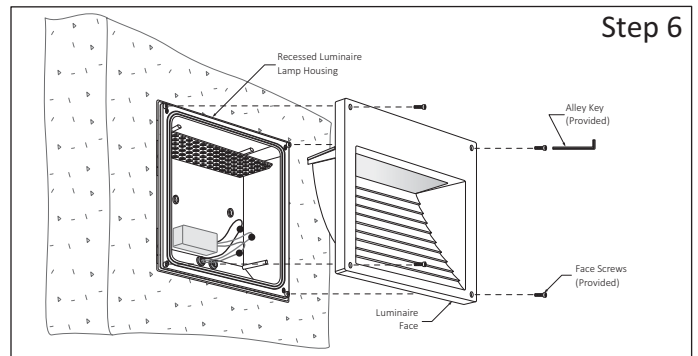
READ AND UNDERSTAND ALL INSTRUCTIONS BEFORE INSTALLATION. IF YOU ARE NOT FAMILIAR WITH THE NATIONAL ELECTRICAL CODE (NEC), CONTACT A QUALIFIED ELECTRICIAN TO INSTALL THIS LUMINAIRE.

WARNING.- Before installing this luminaire or doing any maintenance, turn off the power supply at the circuit breaker or fuse box. Turning the power off using the light switch is not sufficient to prevent electrical shock.

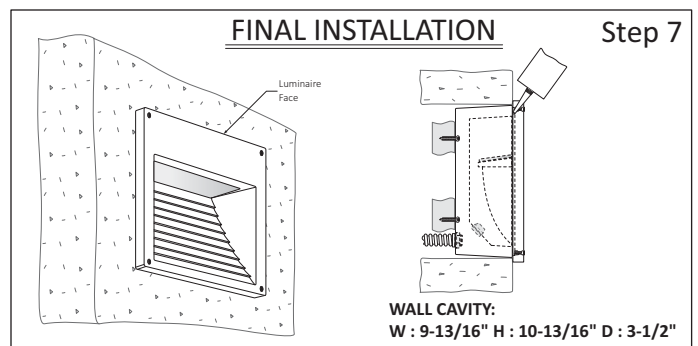
NOTE:
 To re-lamp, replacement parts or additional information, contact or visit manufacturer at www.lumux.net



Step 5 - Make Wiring Connections:
 a.- Make hard-wire connections, see Wire Diagram.



Step 6 - Install Luminaire Face:
 a.- Place Face onto the Lamp Housing fasten using the four Socket Head Screws (provided).



Step 7 - Final Installation:
 a.- It is recommended to apply silicone around the Luminaire Base and wall surface for a watertight seal on Outdoor Application.