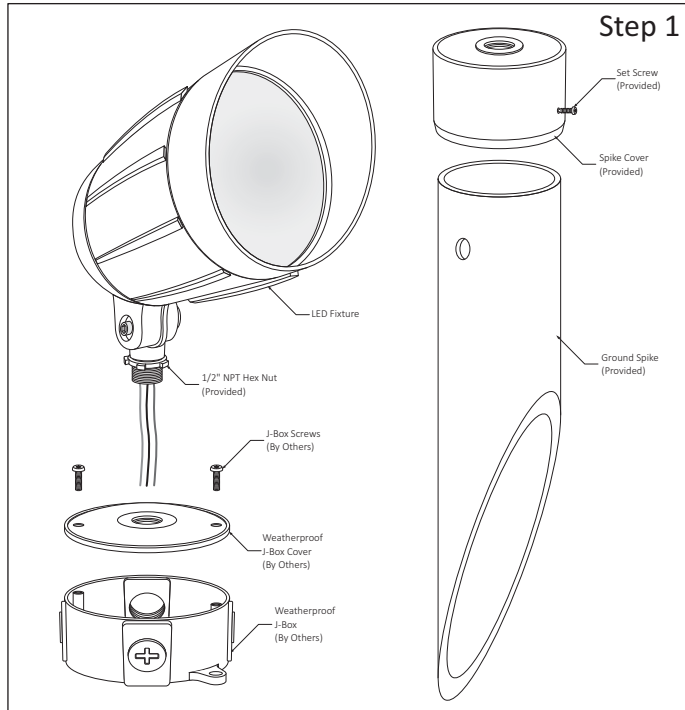


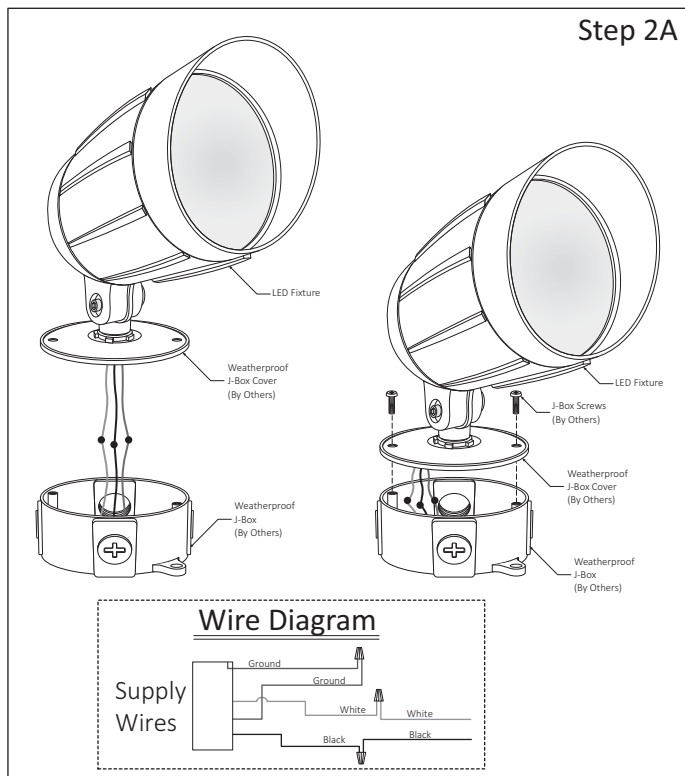
PREPARING THE LUMINAIRE

SURFACE / GROUND MOUNT LUMINAIRE: FL200-3

SAVE THIS INSTRUCTIONS



Step 1 - Disassemble Luminaire Parts for easy Installation:
a.- Remove Mounting Spike Cap to install Fixture (for ground option).



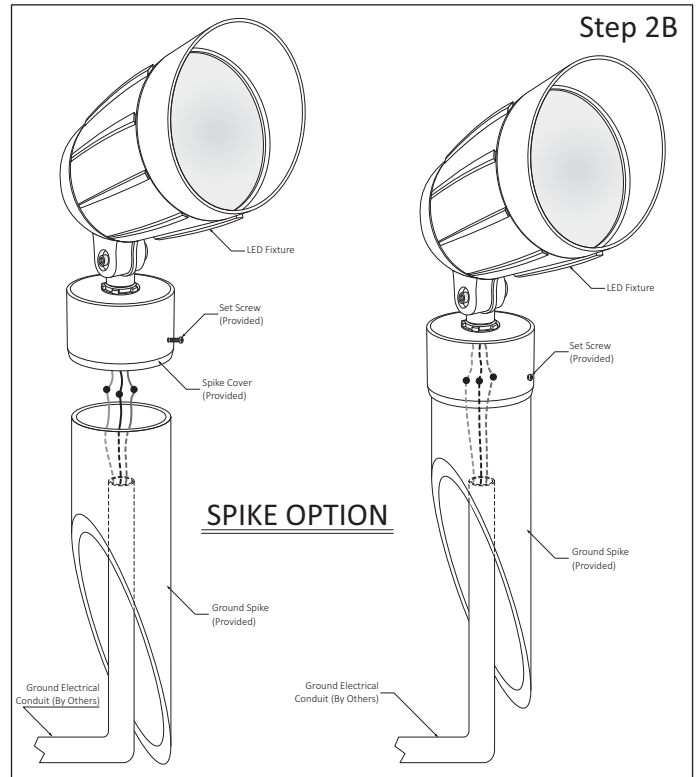
Step 2A - Install Fixture NPT to J-Box Cover:
a.- Insert Fixture Input Wires to the threaded hole of J-Box Cover.
b.- Screw in the NPT to fasten the Fixture.
c.- Make wiring connections, see Wire Diagram.
d.- Place J-Box cover and fasten to Weatherproof J-Box (by others).

READ AND UNDERSTAND ALL INSTRUCTIONS BEFORE INSTALLATION. IF YOU ARE NOT FAMILIAR WITH THE NATIONAL ELECTRICAL CODE (NEC), CONTACT A QUALIFIED ELECTRICIAN TO INSTALL THIS LUMINAIRE.

WARNING.- Before installing this luminaire or doing any maintenance, turn off the power supply at the circuit breaker or fuse box. Turning the power off using the light switch is not sufficient to prevent electrical shock.

NOTE:

To re-lamp, replacement parts or additional information, contact or visit manufacturer at www.lumux.net



Step 2B - Install Fixture NPT to Spike Cover:
a.- Insert Fixture Input Wires to the threaded hole of Spike Cap.
b.- Screw in the 1/2" NPT Rod to fasten the Fixture.
c.- Insert Electrical Conduit (by others) and make wiring connections, see Wire Diagram. Use Electrical Tape to protect the connections.
d.- Place Spike Cap and fasten by Set Screw (Provided).

