

LUMUX INC.

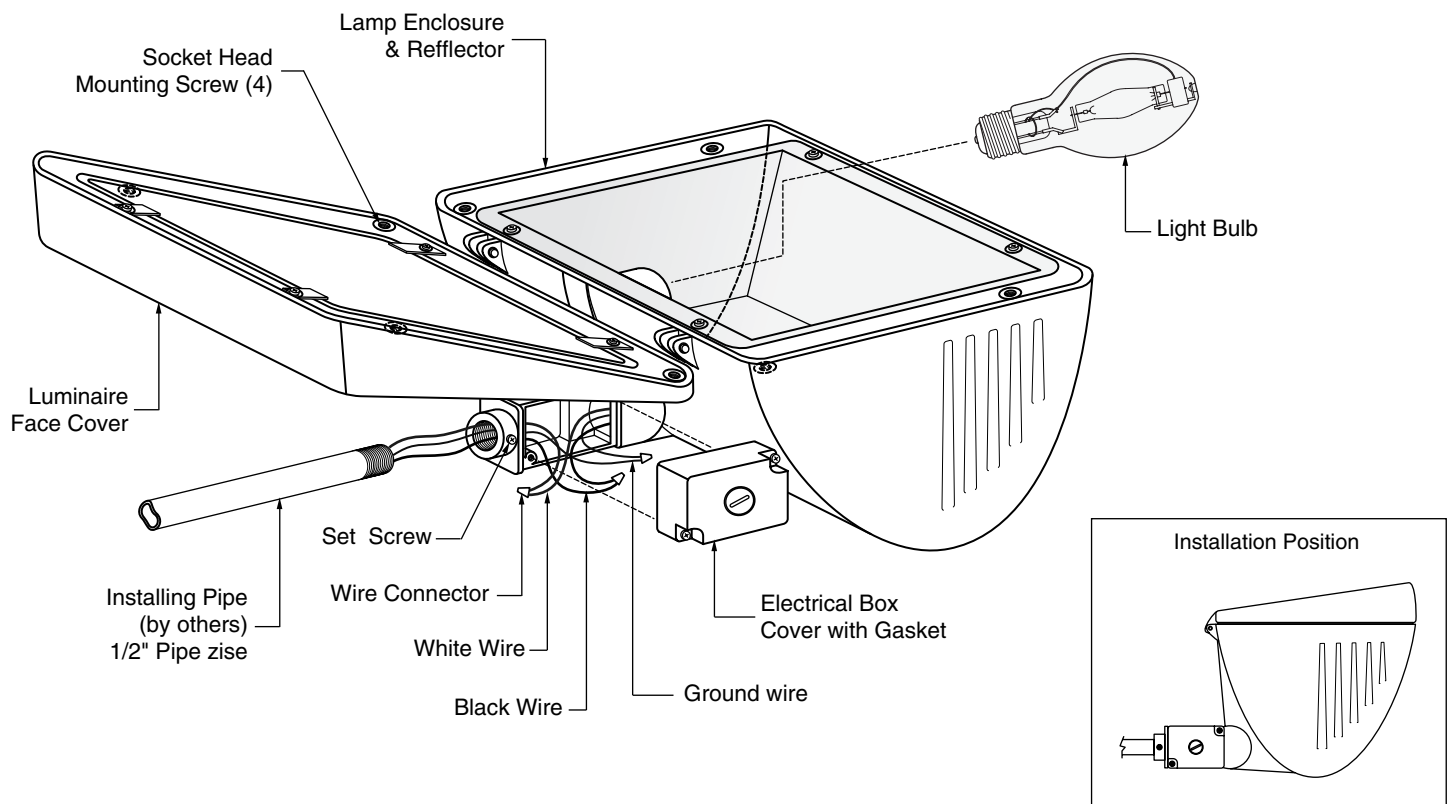
IMPORTANT SAFETY INSTRUCTIONS INSTALLATION

PREPARING THE LUMINAIRE

SAVE THESE INSTRUCTIONS

- WARNING** - Before starting the installation, disconnect the power by turning off the circuit breaker or removing the fuse at the fuse box. Turning the power off using the light switch is not sufficient to prevent electrical shock.
- If you are replacing an existing luminaire, disconnect and remove the old luminaire.
Run the supply electrical wires through the Installing Pipe (by others) as shown in figure below.
- Screw in the Installing Pipe (by others) into the female threaded nipple and fasten it with the Set Screw (provided) as shown in figure below.
- Make electrical connections: Connect grounding wire (green or bare copper) from the supply circuit to the green or bare copper wire from the luminaire. Connect the white wire(s) from the luminaire to the white wire of the supply circuit. Connect the black wire(s) from the luminaire to the black wire of the supply circuit. Use U.L. Listed wire connectors (by others). Secure wire connectors with U.L. Listed electrical tape (by others).
- Replace the Electrical Box Cover using the two Machine Screws (provided) as shown in figure below.
- Install the lamp (by others) **Do Not Exceed Recommended Wattage.**
- Install Luminaire Face Cover with the four Socket Head Mounting Screws (provided) as shown in figure below.

NOTE: Install Luminaire with a Stainless Installing Pipe.



- FLOOD LIGHT - CAT# FL-100